



US00D652288S

(12) **United States Design Patent**
Mercier

(10) **Patent No.:** **US D652,288 S**

(45) **Date of Patent:** **** Jan. 17, 2012**

(54) **PIPE RETAINING CLIP**

(76) Inventor: **John Mercier**, Cuddy, PA (US)

(**) Term: **14 Years**

(21) Appl. No.: **29/373,647**

(22) Filed: **May 5, 2011**

(51) **LOC (9) Cl.** **08-08**

(52) **U.S. Cl.** **D8/396**

(58) **Field of Classification Search** D8/356,
D8/371, 394-396, 367; D19/65, 34; D24/128;
24/570, 128, 67.9, 66.13; 248/74.2, 215,
248/227.1, 49, 300, 301, 316.7, 51, 489;
D11/214, 215, 78.1; 116/237

See application file for complete search history.

D424,922 S * 5/2000 Sherman et al. D8/395
D427,051 S * 6/2000 Lodi D8/395
D438,453 S * 3/2001 Nelson et al. D8/395
D500,897 S * 1/2005 Herman et al. D29/122
D538,137 S * 3/2007 Dukes D8/356
D615,497 S * 5/2010 Woodward et al. D13/149

* cited by examiner

Primary Examiner — Celia A. Murphy

Assistant Examiner — John Windmuller

(74) *Attorney, Agent, or Firm* — Carothers & Carothers

(57) **CLAIM**

The ornamental design for a pipe retaining clip, as shown and described.

DESCRIPTION

FIG. 1 is a perspective view of a pipe retaining clip showing my new design;

FIG. 2 is a left side view thereof;

FIG. 3 is a right side view thereof;

FIG. 4 is a top view thereof;

FIG. 5 is a bottom view thereof;

FIG. 6 is a front view thereof; and,

FIG. 7 is a rear view thereof.

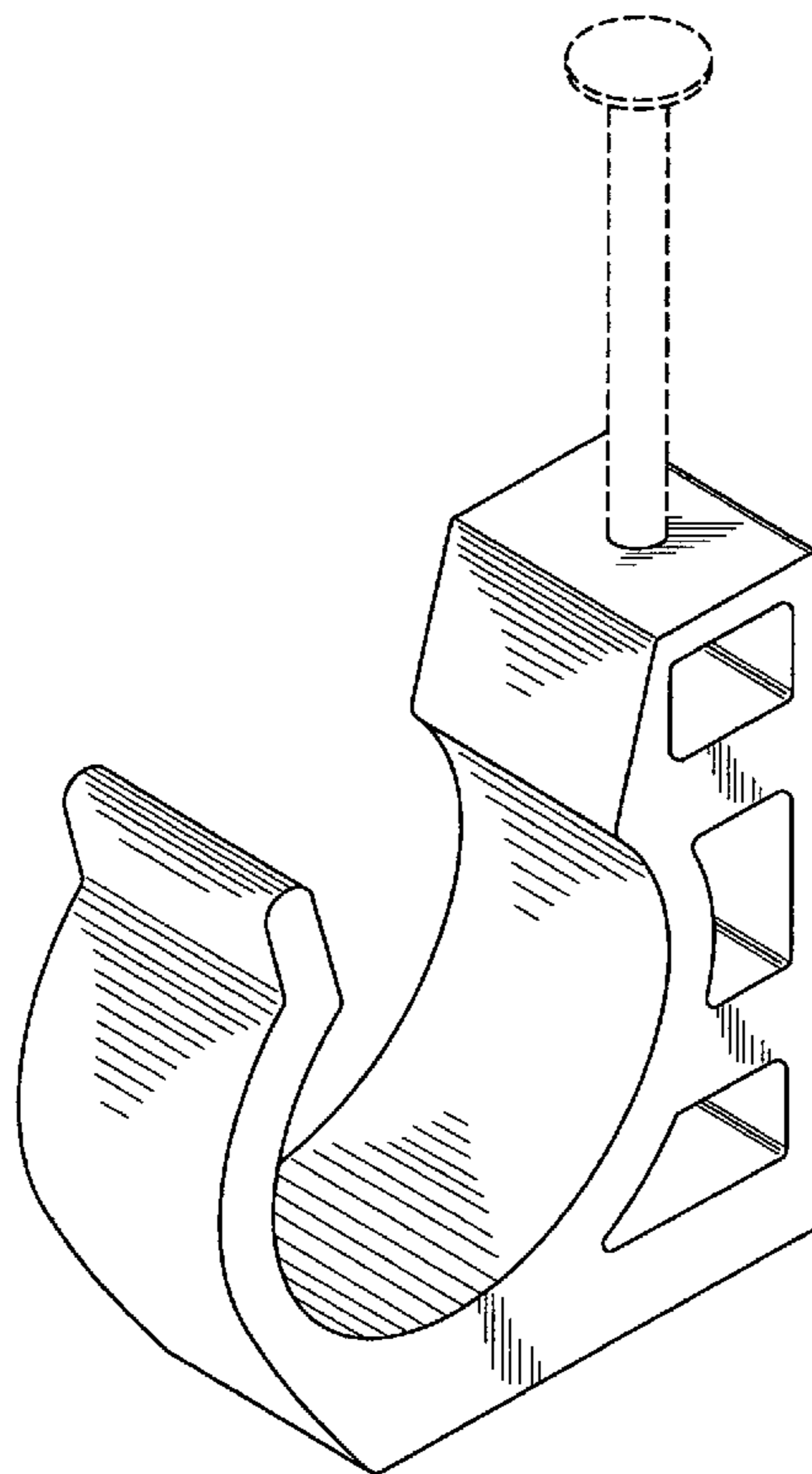
The broken line showing a nail head protruding from the pipe retaining clip is for illustrative purposes only and forms no part of the claimed design.

1 Claim, 4 Drawing Sheets

(56) **References Cited**

U.S. PATENT DOCUMENTS

D30,441	S	*	3/1899	Wahlert	D8/396
1,308,869	A	*	7/1919	Greeley	248/69
2,470,811	A	*	5/1949	Engleman	40/658
D239,364	S	*	3/1976	Mooney et al.	D8/396
D267,810	S	*	2/1983	Orsos	D20/43
D270,329	S	*	8/1983	Hardy	D8/395
D289,732	S	*	5/1987	Jason	D8/356
D296,777	S	*	7/1988	Cornell	D13/149
D310,623	S	*	9/1990	Aranibar	D8/380
D380,145	S	*	6/1997	Rumpel	D8/395
5,639,049	A	*	6/1997	Jennings et al.	248/74.2
D414,744	S	*	10/1999	Surinak	D13/149



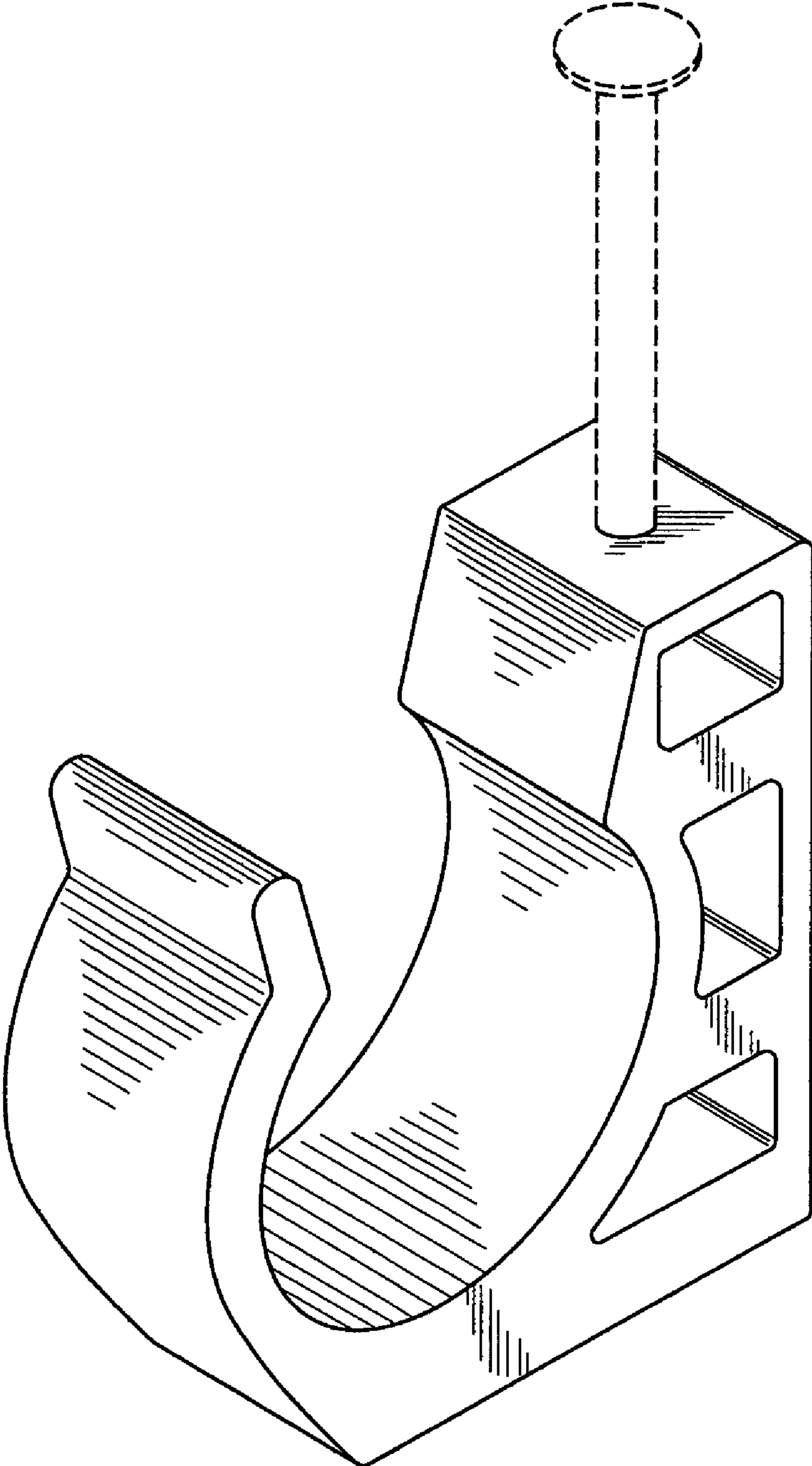


FIG. 1

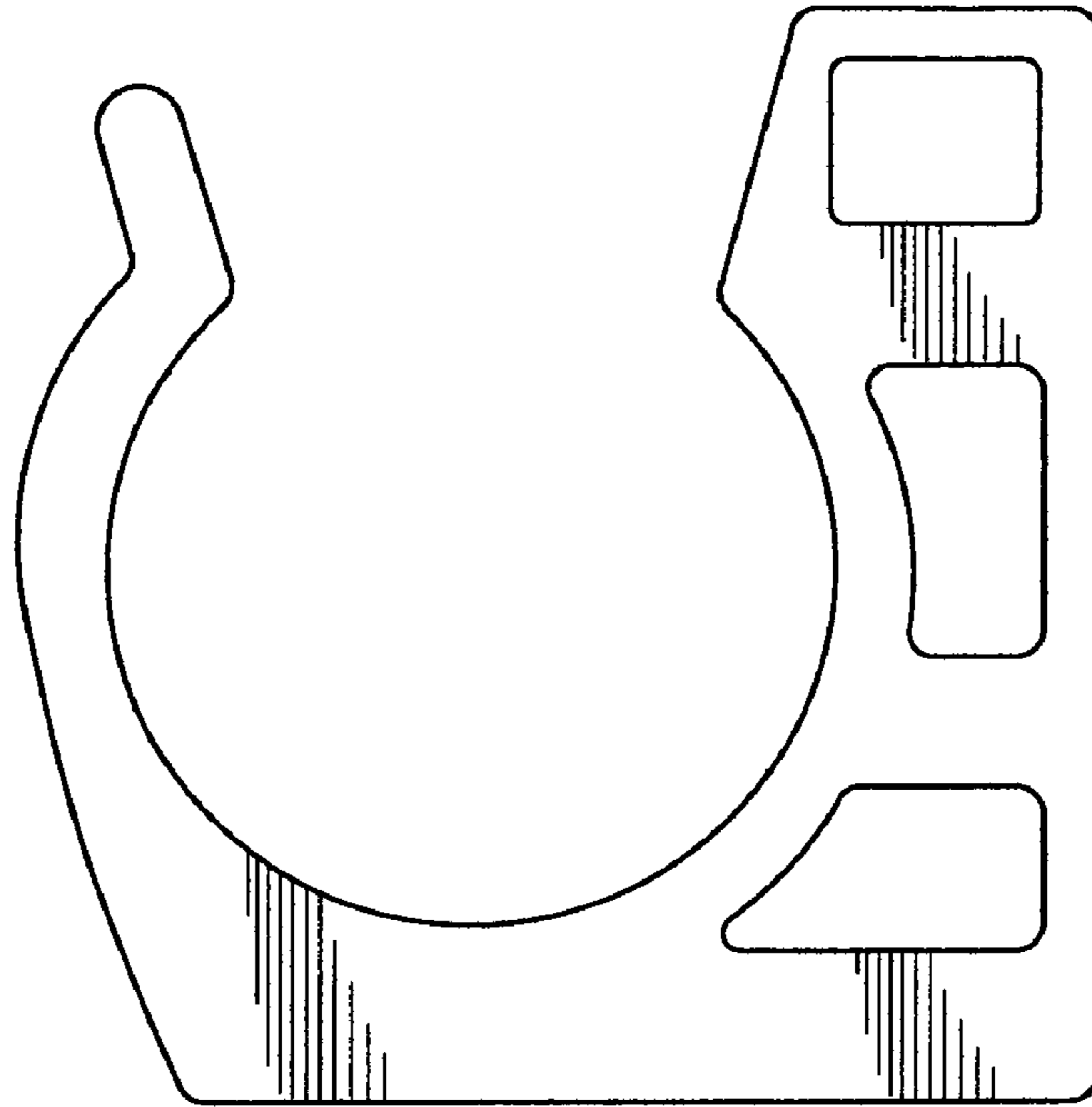


FIG. 2

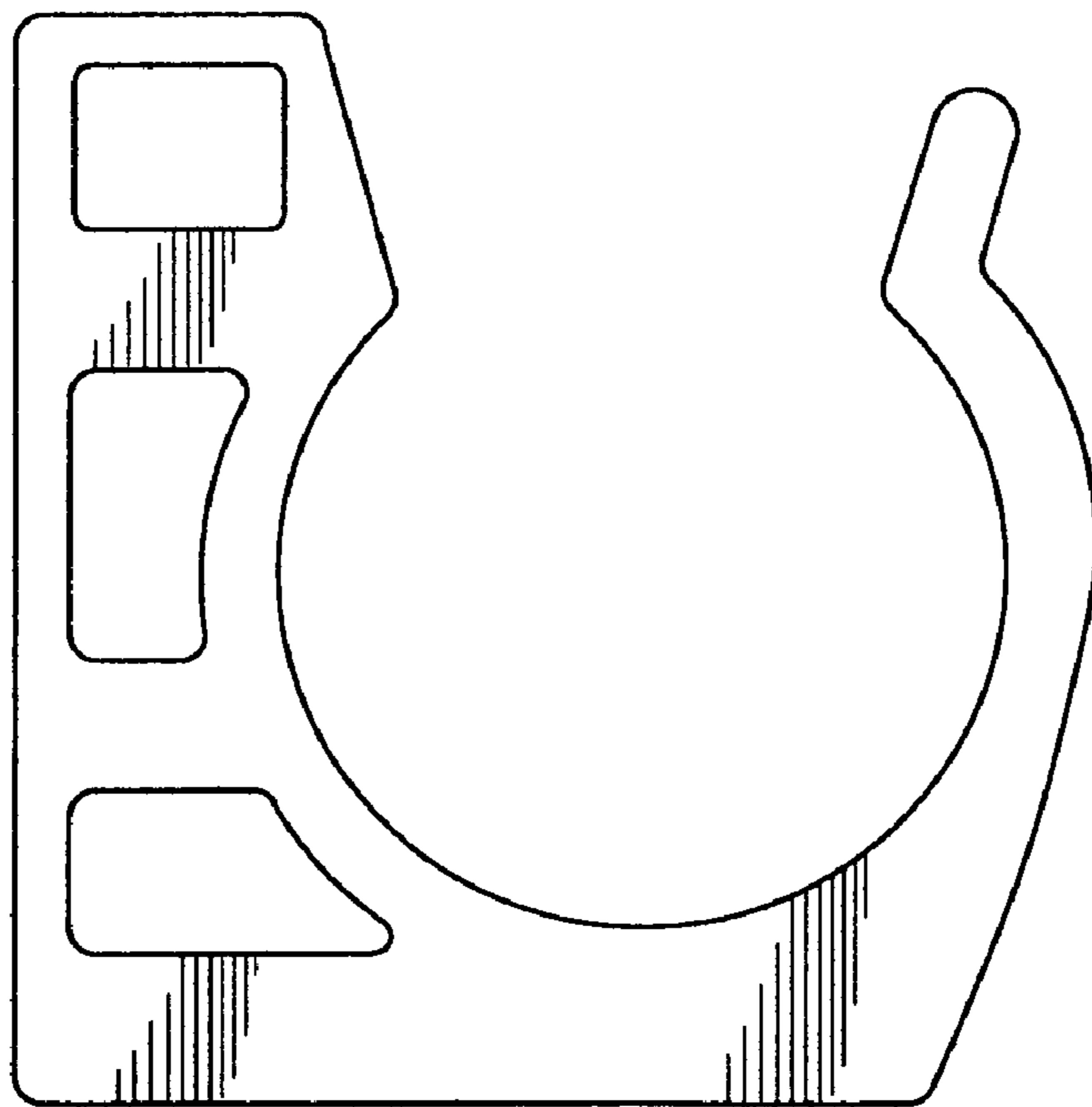


FIG. 3

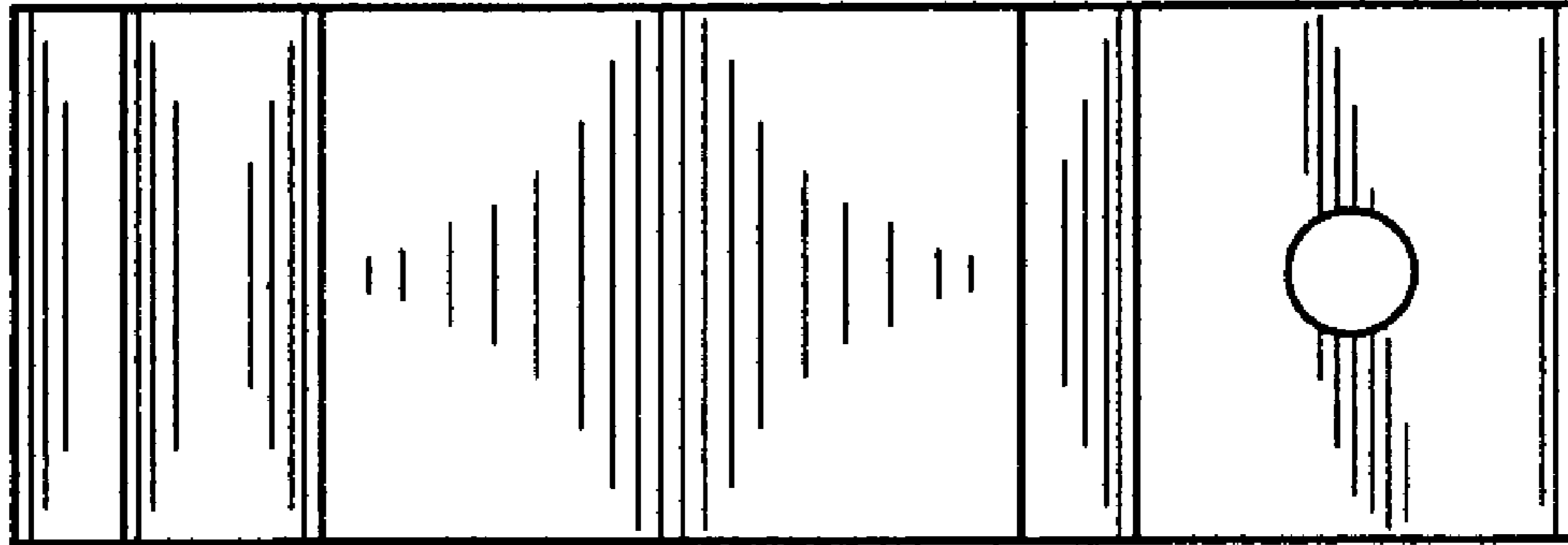


FIG. 4

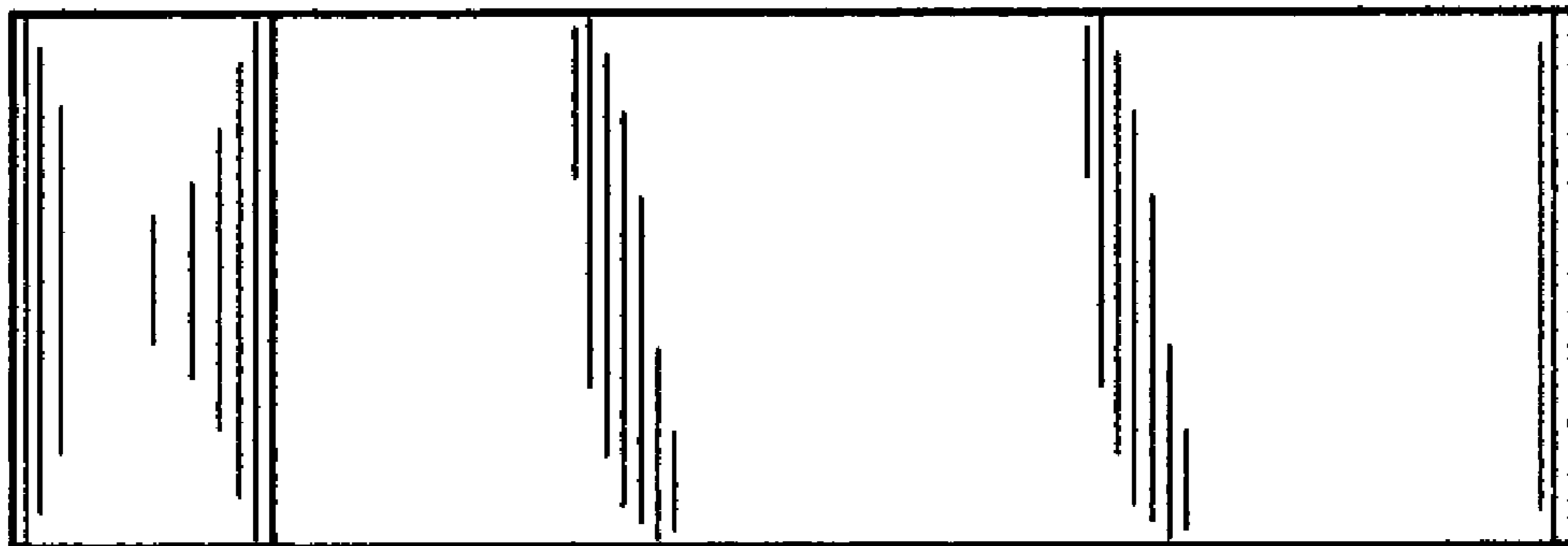


FIG. 5

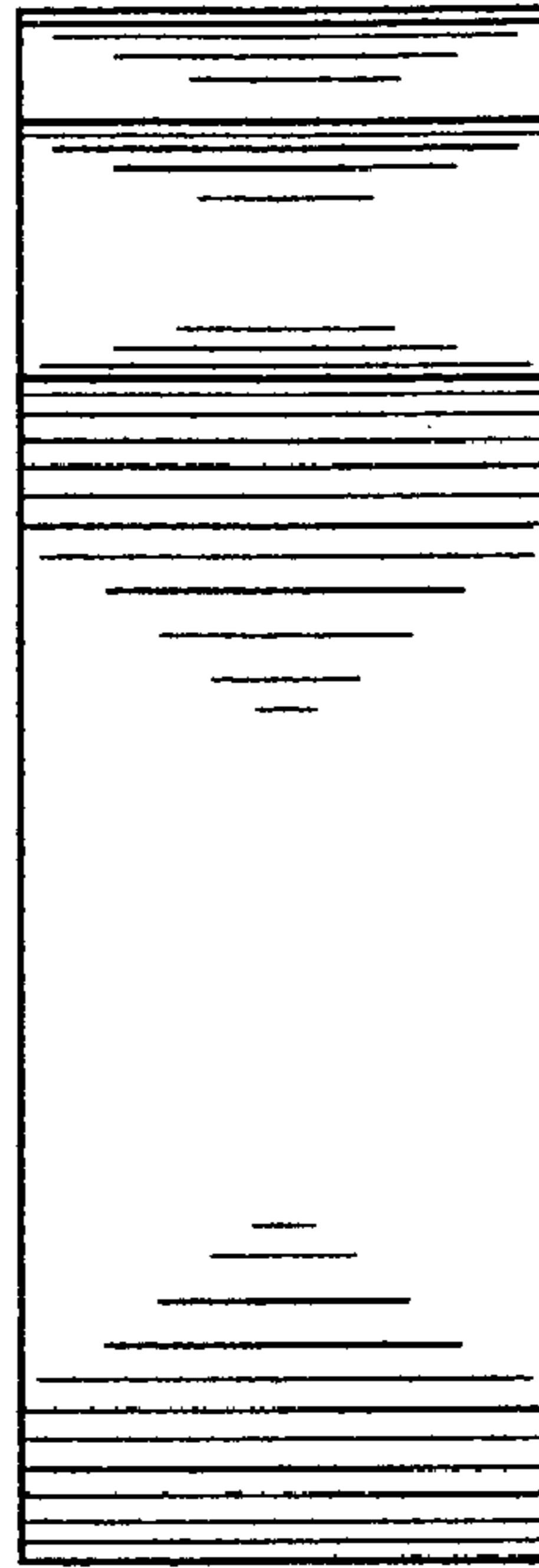


FIG. 6

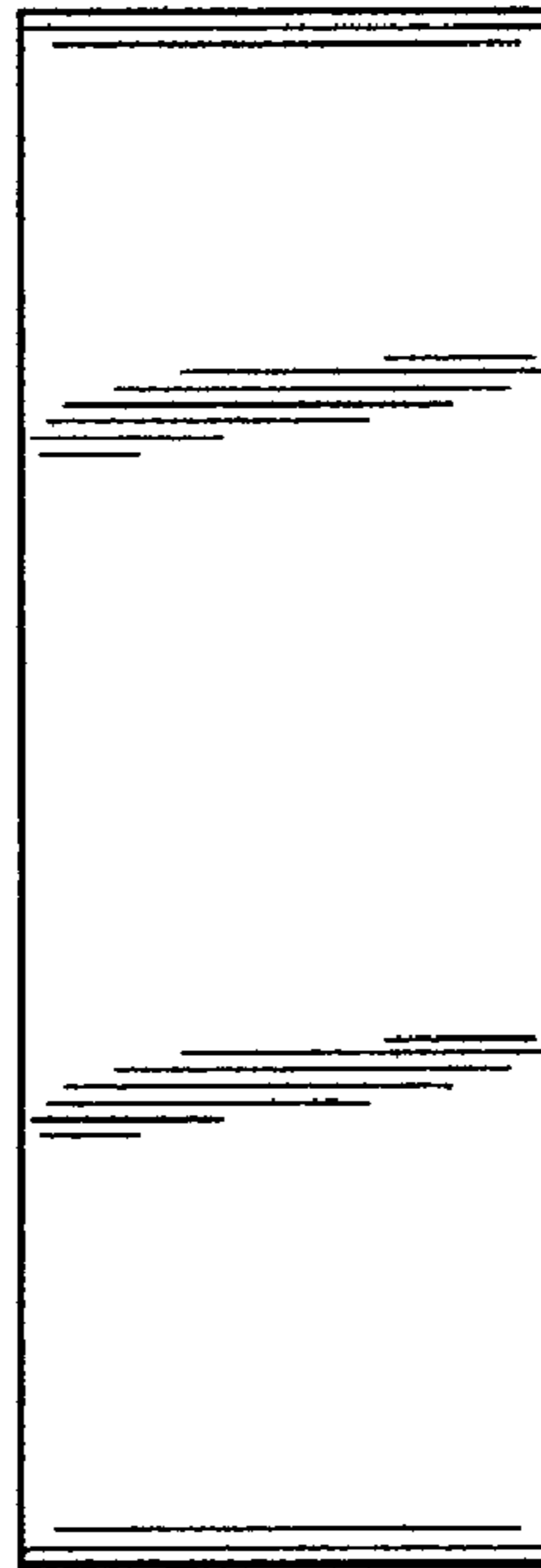


FIG. 7