



US00D652286S

(12) **United States Design Patent**
Mair et al.

(10) **Patent No.:** **US D652,286 S**
(45) **Date of Patent:** **** Jan. 17, 2012**

- (54) **SHACKLE SWIVEL**
- (75) Inventors: **Stephen Michael Mair**, Auckland (NZ);
Alexander Patrick Sheridan Wood,
Auckland (NZ)
- (73) Assignee: **Manson Anchors Limited**, Auckland
(NZ)
- (**) Term: **14 Years**
- (21) Appl. No.: **29/366,467**
- (22) Filed: **Jul. 26, 2010**
- (51) **LOC (9) Cl.** **08-05**
- (52) **U.S. Cl.** **D8/356**
- (58) **Field of Classification Search** D8/323,
D8/328, 327, 324, 330, 325, 331, 336, 353,
D8/338, 356; D16/334; D10/69; D23/302,
D23/303; D3/905; 16/309, 235, 275, 244,
16/379, 390, 430, 241, 238, 245, 236, 243,
16/242, 385, 225, 250, 248, 381, 337, 329,
16/340; 4/236, 240; 49/381; 248/682, 49,
248/68.1, 544, 73, 74.3; 33/347, 365-399;
174/153 G, 135, 72 A, 152 G; 5/503.1; 138/106;
24/16 PB, 545
See application file for complete search history.

- 5,918,348 A * 7/1999 Carpenter et al. 16/342
- 7,127,777 B2 * 10/2006 Chiang 16/252
- D535,869 S * 1/2007 Brunsteter D8/382
- D563,199 S * 3/2008 Liao et al. D8/323
- D583,224 S * 12/2008 Holdsworth D8/382
- D635,451 S * 4/2011 Sekine D8/382
- D642,548 S * 8/2011 Bowen, III D13/183

* cited by examiner

Primary Examiner — Cynthia Underwood

(74) *Attorney, Agent, or Firm* — Jacobson Holman PLLC

(57) **CLAIM**

The ornamental design for the shackle swivel, as shown and described.

DESCRIPTION

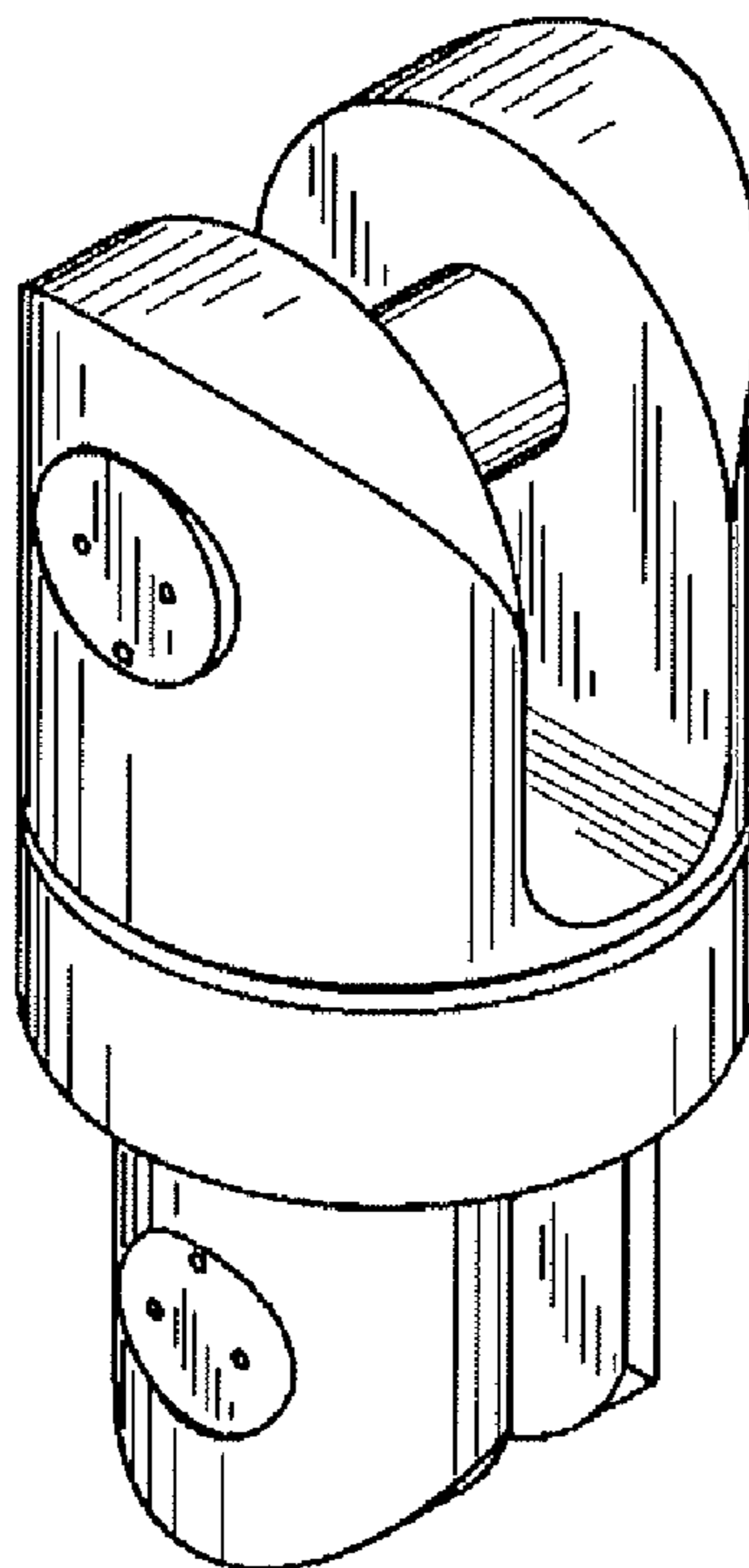
FIG. 1 is a top plan view of the shackle swivel embodying our design;
 FIG. 2 is a left side elevation view of FIG. 1;
 FIG. 3 is a front elevation view of FIG. 1;
 FIG. 4 is a bottom plan view of FIG. 1;
 FIG. 5 is a front perspective view of FIG. 1;
 FIG. 6 is a top plan view of the female threaded collar of the shackle swivel;
 FIG. 7 is a left side elevation view of FIG. 6;
 FIG. 8 is a front elevation view of FIG. 6;
 FIG. 9 is a bottom plan view of FIG. 6; and,
 FIG. 10 is a front perspective view of FIG. 6.
 The dashed lines in FIGS. 6-10 are not part of the female threaded collar. FIGS. 1-5 show the combination of the female threaded collar and the two clevis components which form the shackle swivel.

(56) **References Cited**

U.S. PATENT DOCUMENTS

- D178,439 S * 7/1956 Waller D8/394
- D187,180 S * 2/1960 Dettinger D8/327
- D334,129 S * 3/1993 Ishikawa D8/323

1 Claim, 2 Drawing Sheets



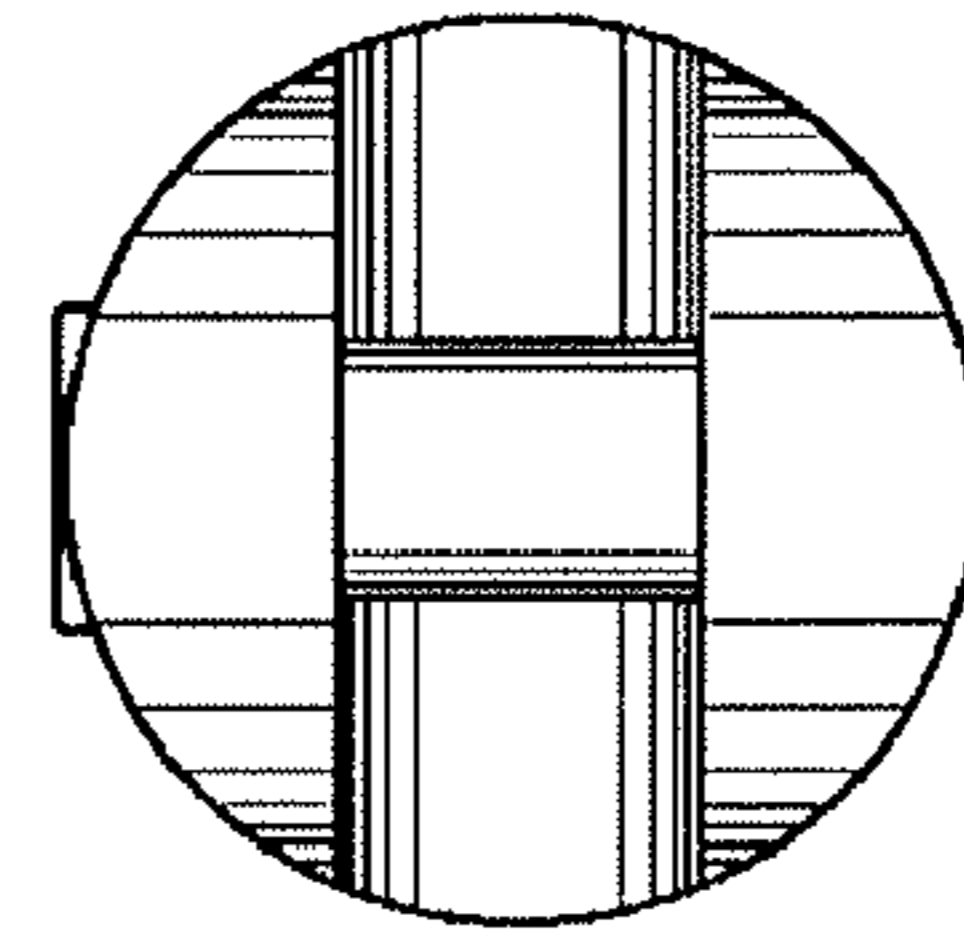


Fig. 1

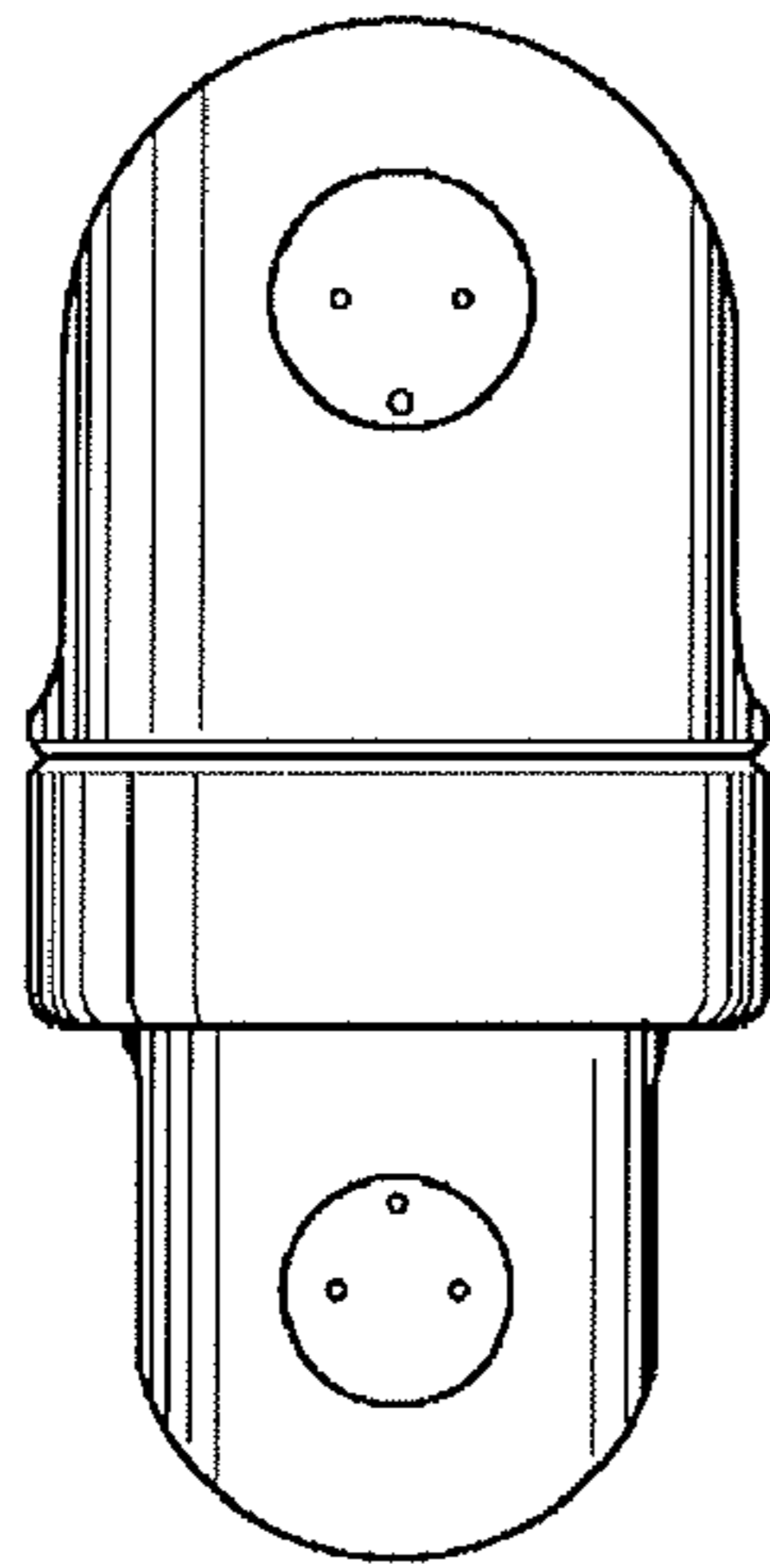


Fig. 2

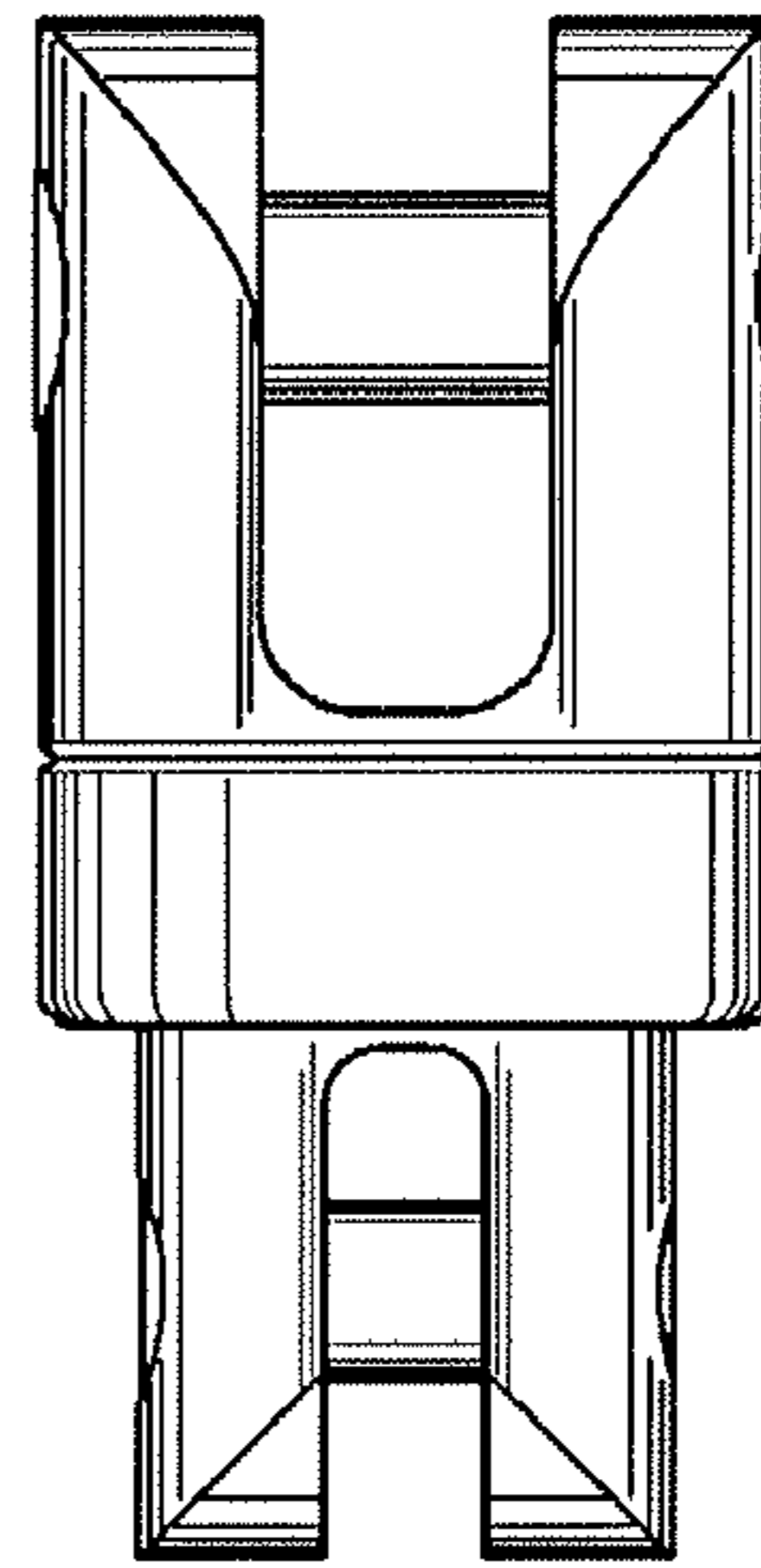


Fig. 3

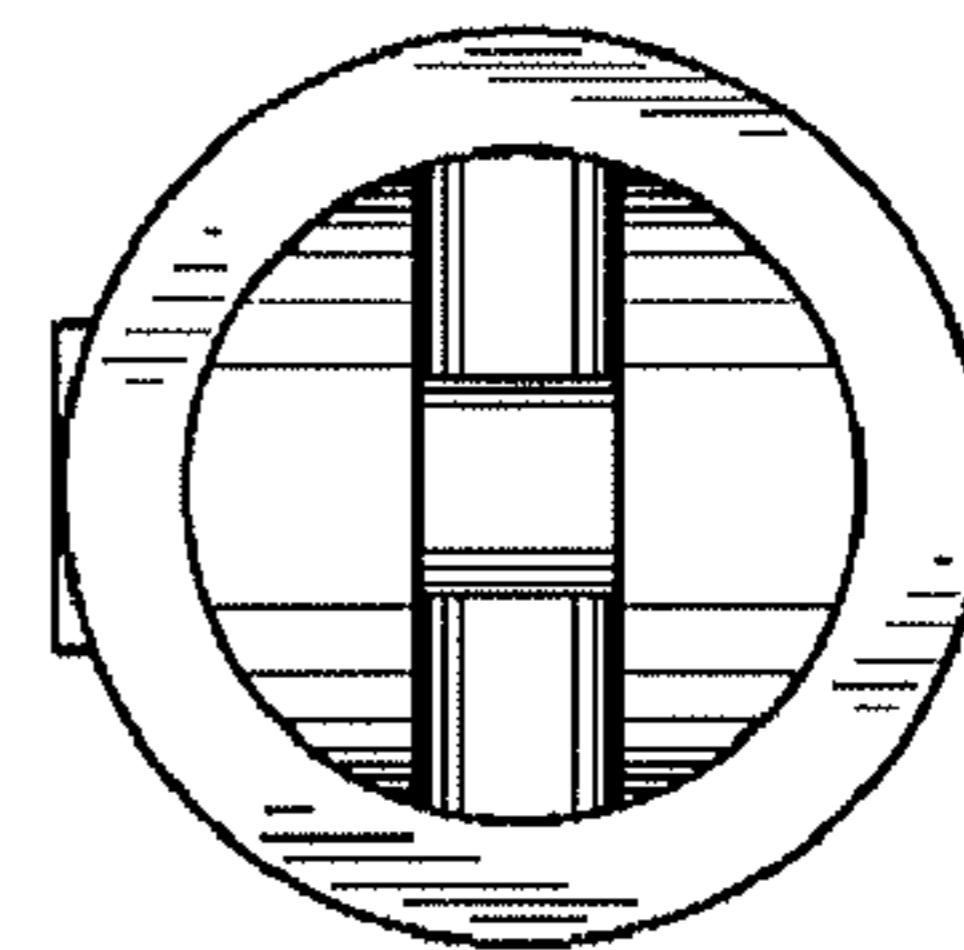


Fig. 4

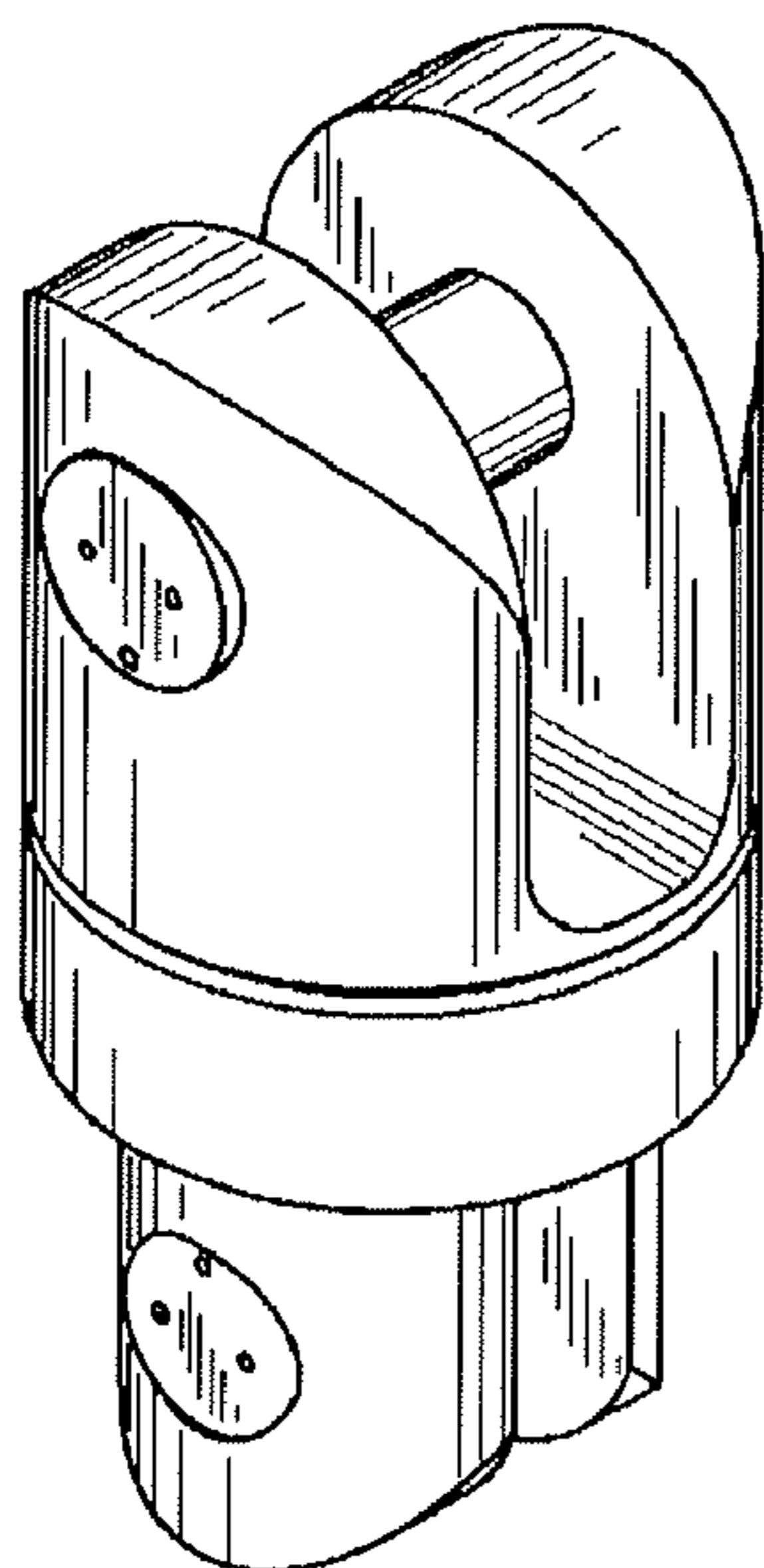


Fig. 5

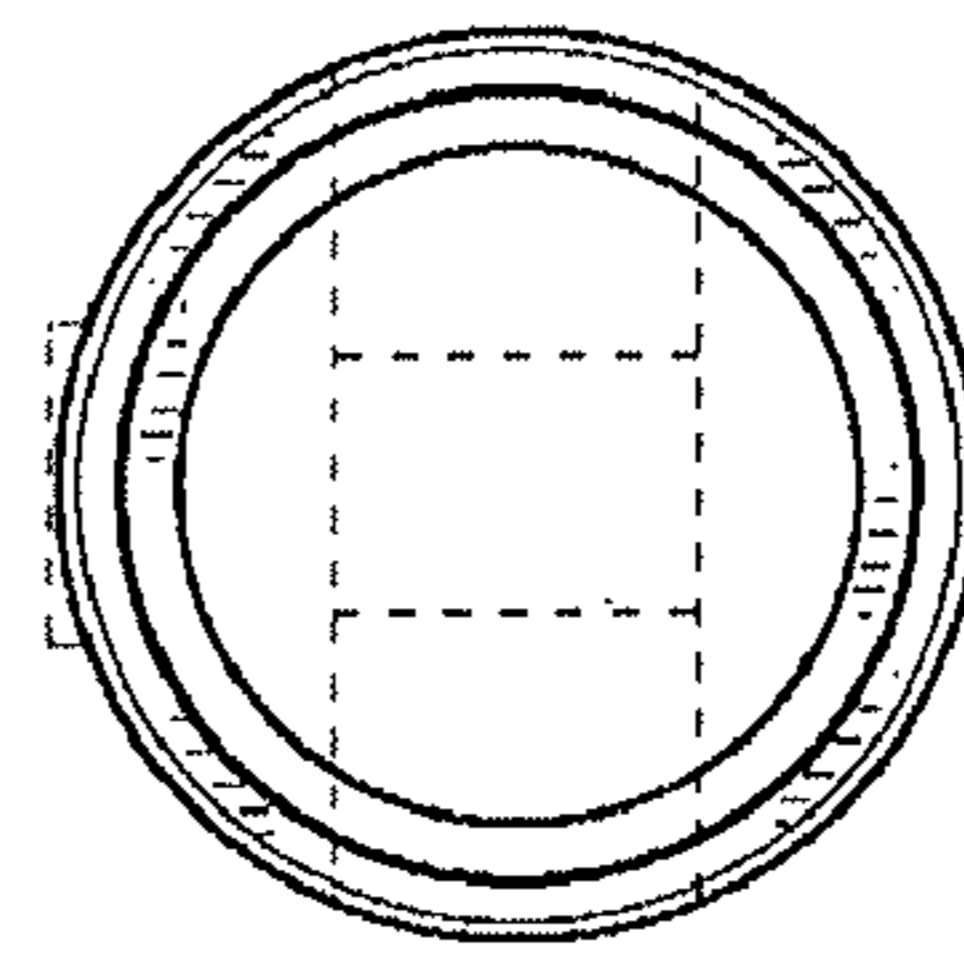


Fig. 6

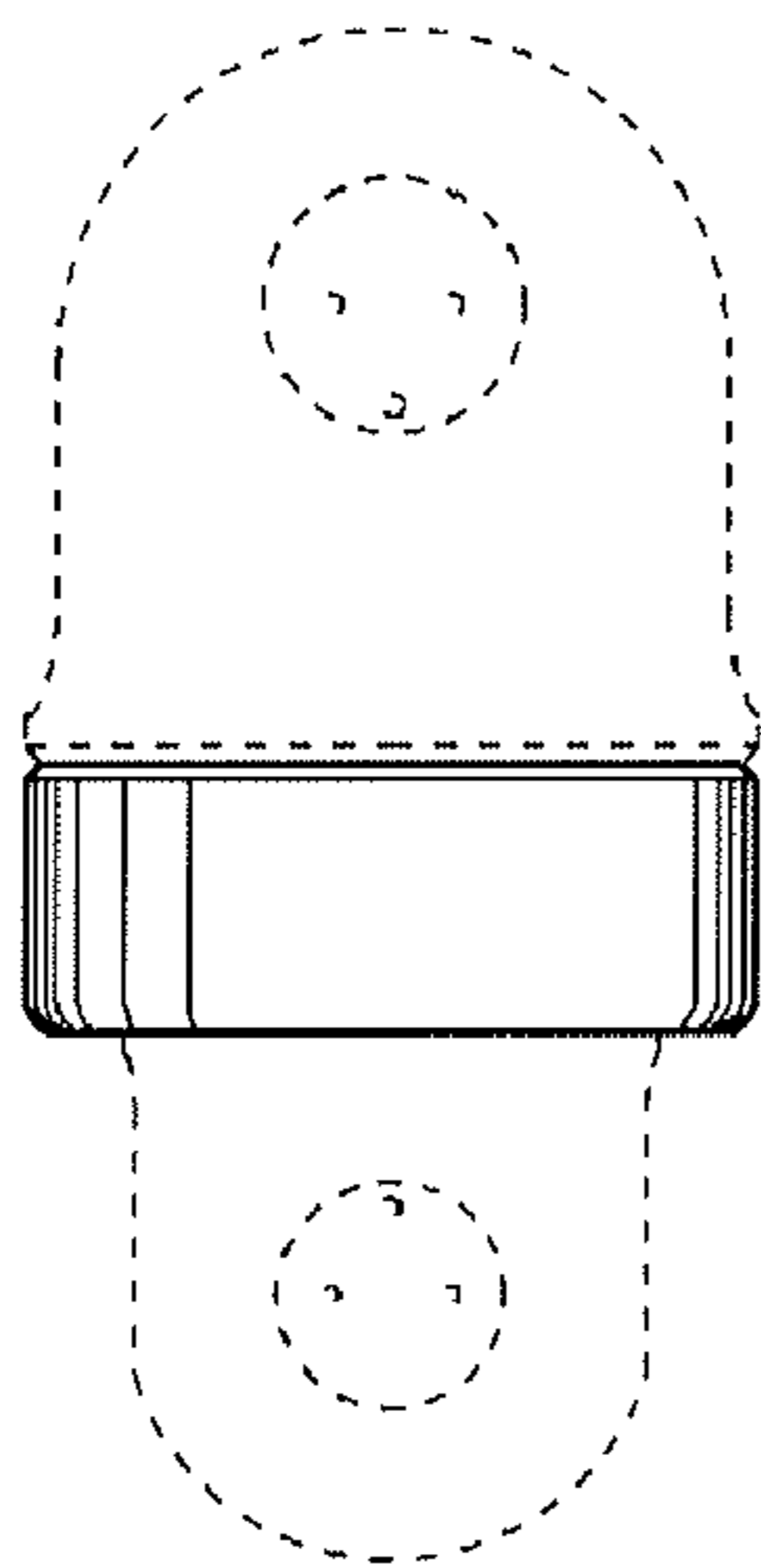


Fig. 7

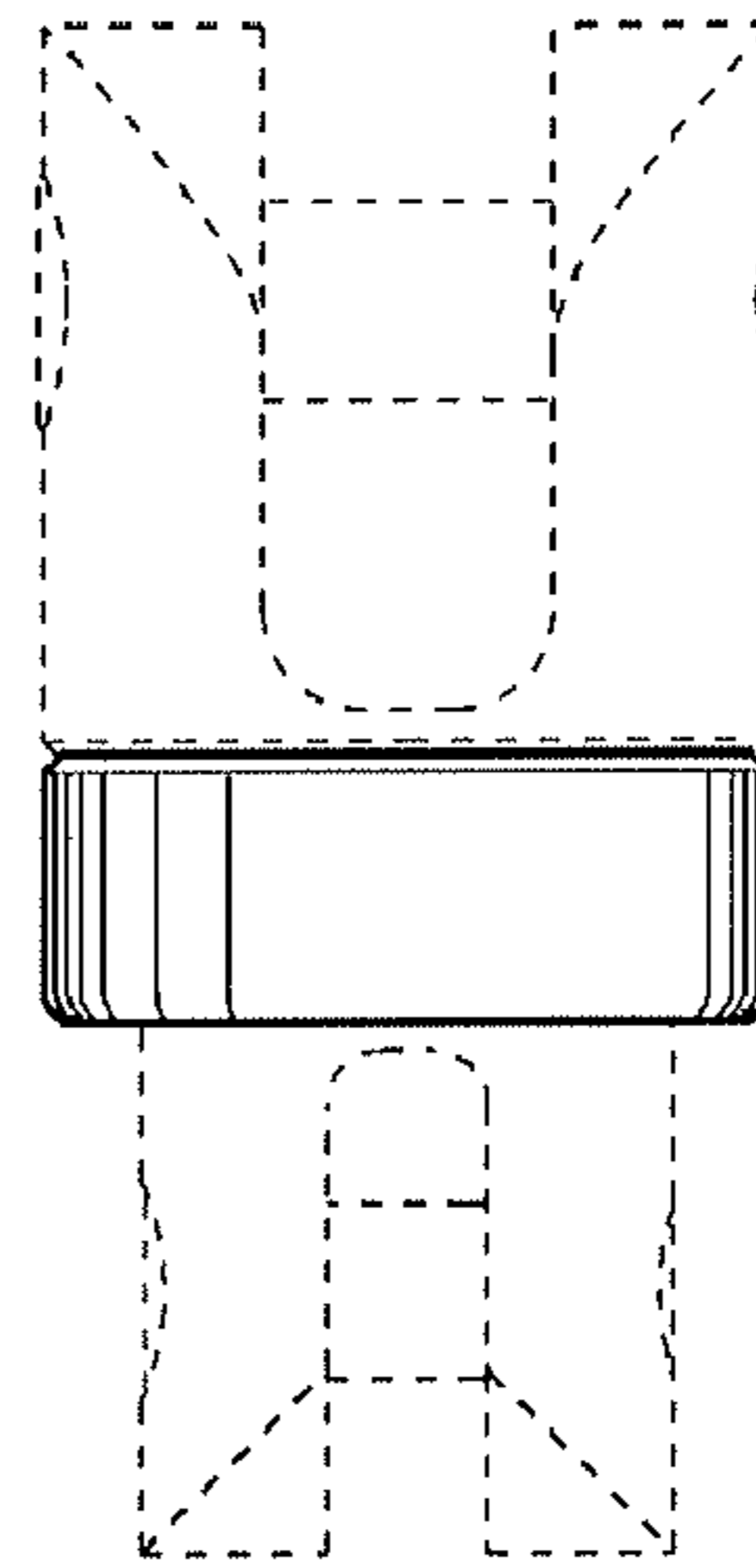


Fig. 8

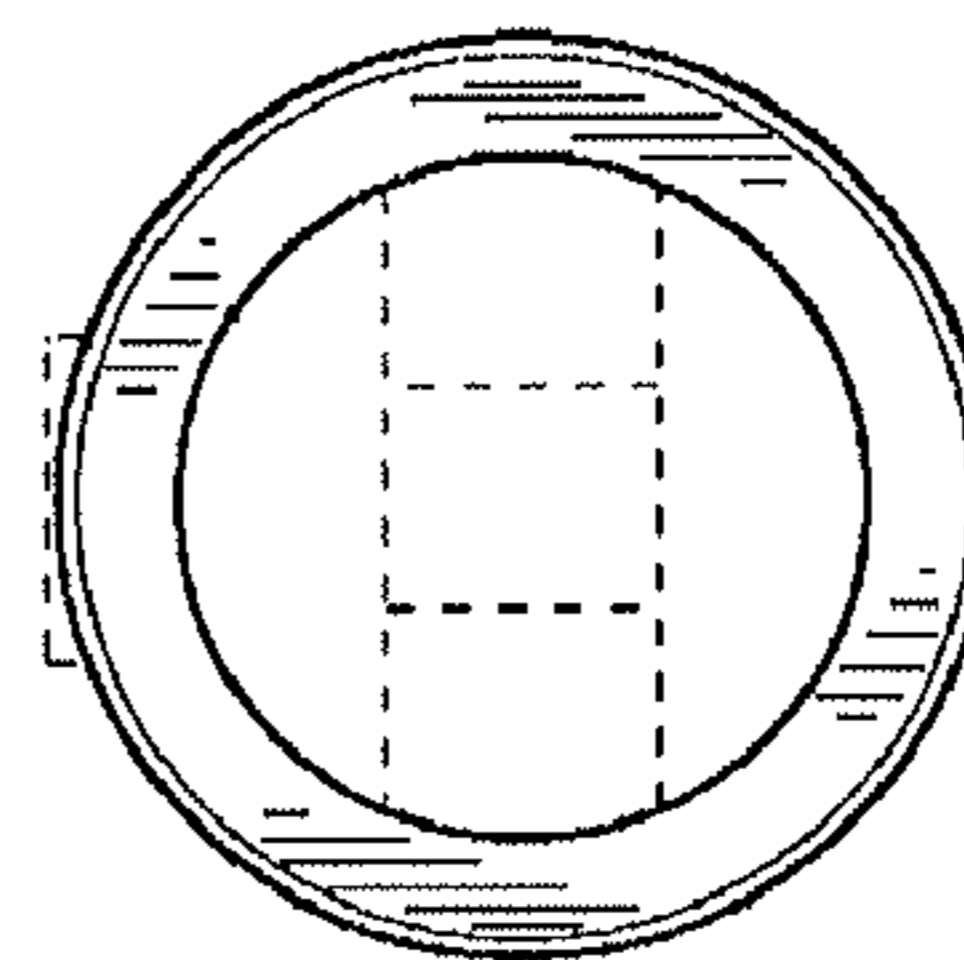


Fig. 9

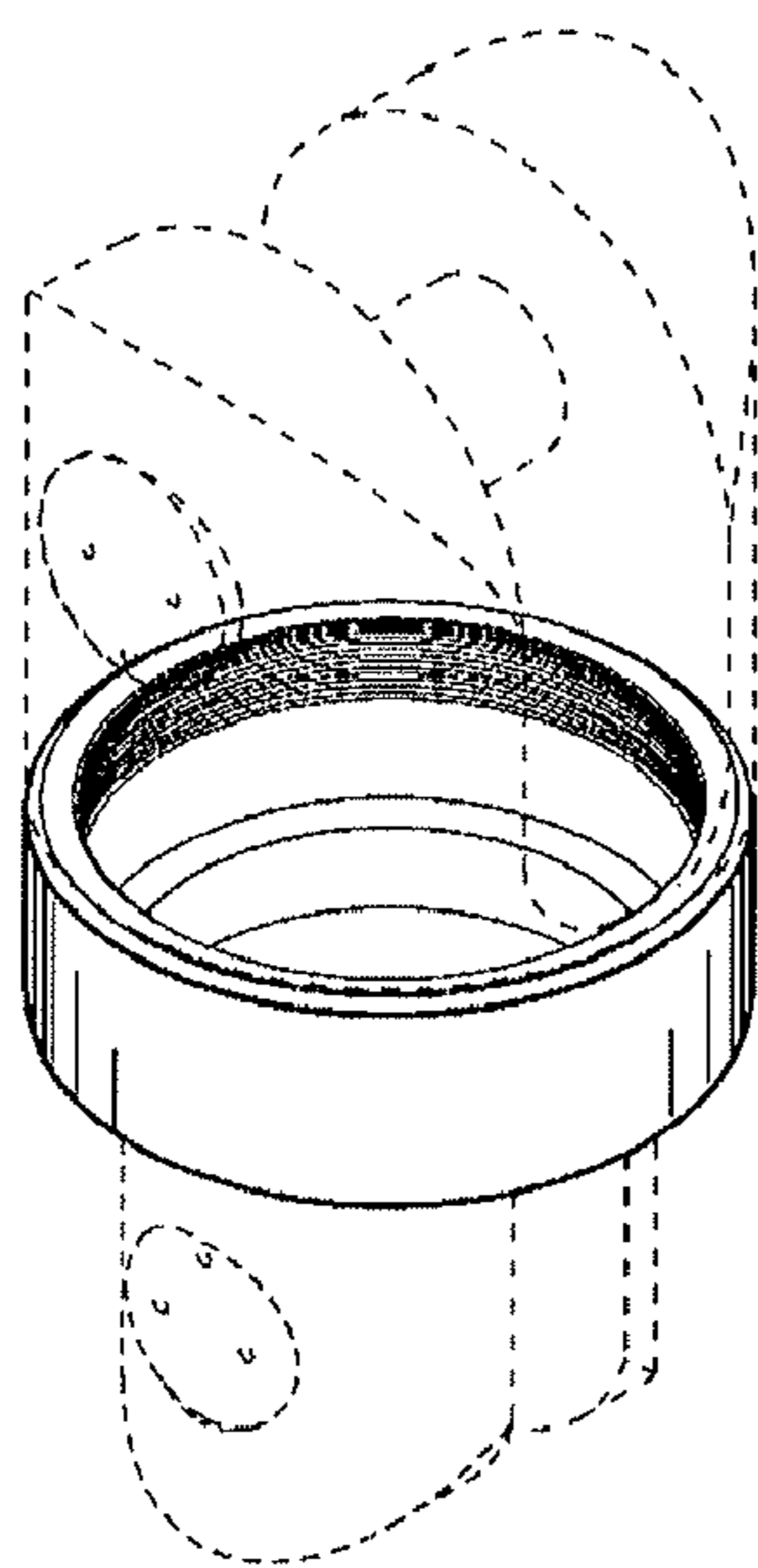


Fig. 10