



US00D652285S

(12) **United States Design Patent**
Wardi

(10) **Patent No.:** **US D652,285 S**

(45) **Date of Patent:** **** Jan. 17, 2012**

(54) **SASH FASTENER**

(75) Inventor: **Florian Wardi**, Wuppertal (DE)

(73) Assignee: **Steinbach & Vollmann GmbH & Co. KG**, Hellingenhaus (DE)

(**) Term: **14 Years**

(21) Appl. No.: **29/367,016**

(22) Filed: **Aug. 2, 2010**

(30) **Foreign Application Priority Data**

Feb. 1, 2010 (EM) 001664012

(51) **LOC (9) Cl.** **08-07**

(52) **U.S. Cl.** **D8/331**

(58) **Field of Classification Search** D8/339,
D8/331, 333, 343, 341; 70/77-79, 57, 58,
70/89, 158, 230, 275, 423, 427, 455, 372,
70/373, 281, 449, 377, 381, 379 R, DIG. 62,
70/DIG. 43

See application file for complete search history.

(56) **References Cited**

U.S. PATENT DOCUMENTS

D352,884 S * 11/1994 Schlack D8/331
D365,011 S * 12/1995 Myers D8/331

D469,680 S * 2/2003 Laabs et al. D8/343
D482,596 S * 11/2003 Laabs et al. D8/343
D494,839 S * 8/2004 Ford D8/343
D520,340 S * 5/2006 Freck D8/343
D551,941 S * 10/2007 Miao et al. D8/336
D591,139 S * 4/2009 Gulley D8/331

* cited by examiner

Primary Examiner — Prabhakar Deshmukh

(74) *Attorney, Agent, or Firm* — Husch Blackwell LLP

(57) **CLAIM**

The ornamental design for a sash fastener, as shown and described.

DESCRIPTION

FIG. 1 is a perspective view of a sash fastener showing my new design;

FIG. 2 is a top plan view of the sash fastener;

FIG. 3 is a cross-sectional view of the sash fastener, taken along line 3-3 of FIG. 4;

FIG. 4 is a left side elevational view of the sash fastener, the right side view being a mirror image thereof;

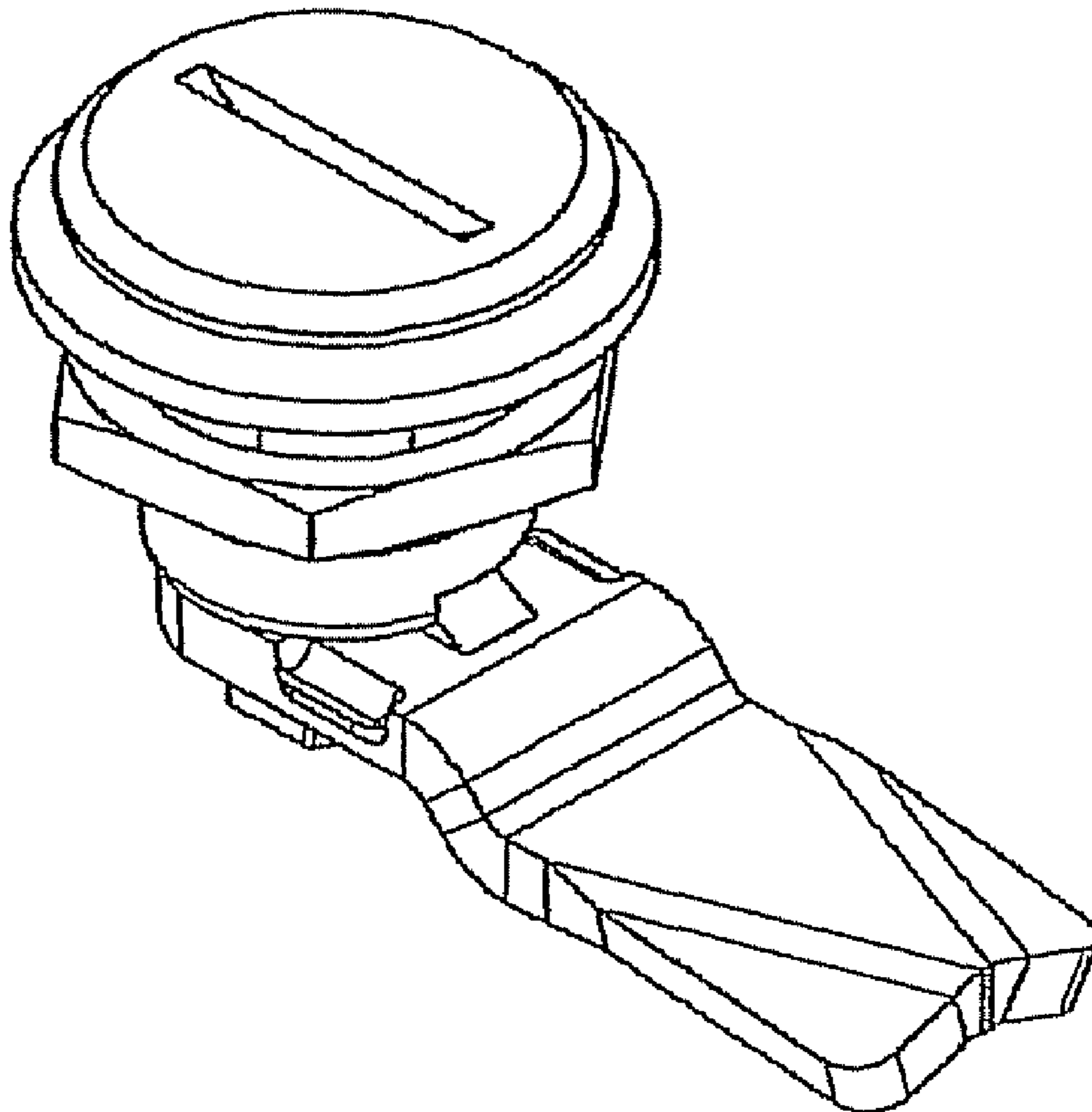
FIG. 5 is a front elevational view of the sash fastener;

FIG. 6 is a bottom plan view of the sash fastener;

FIG. 7 is a perspective view of a bolt of the sash fastener, shown separately for clarity; and,

FIG. 8 is a rear elevational view the sash fastener.

1 Claim, 1 Drawing Sheet



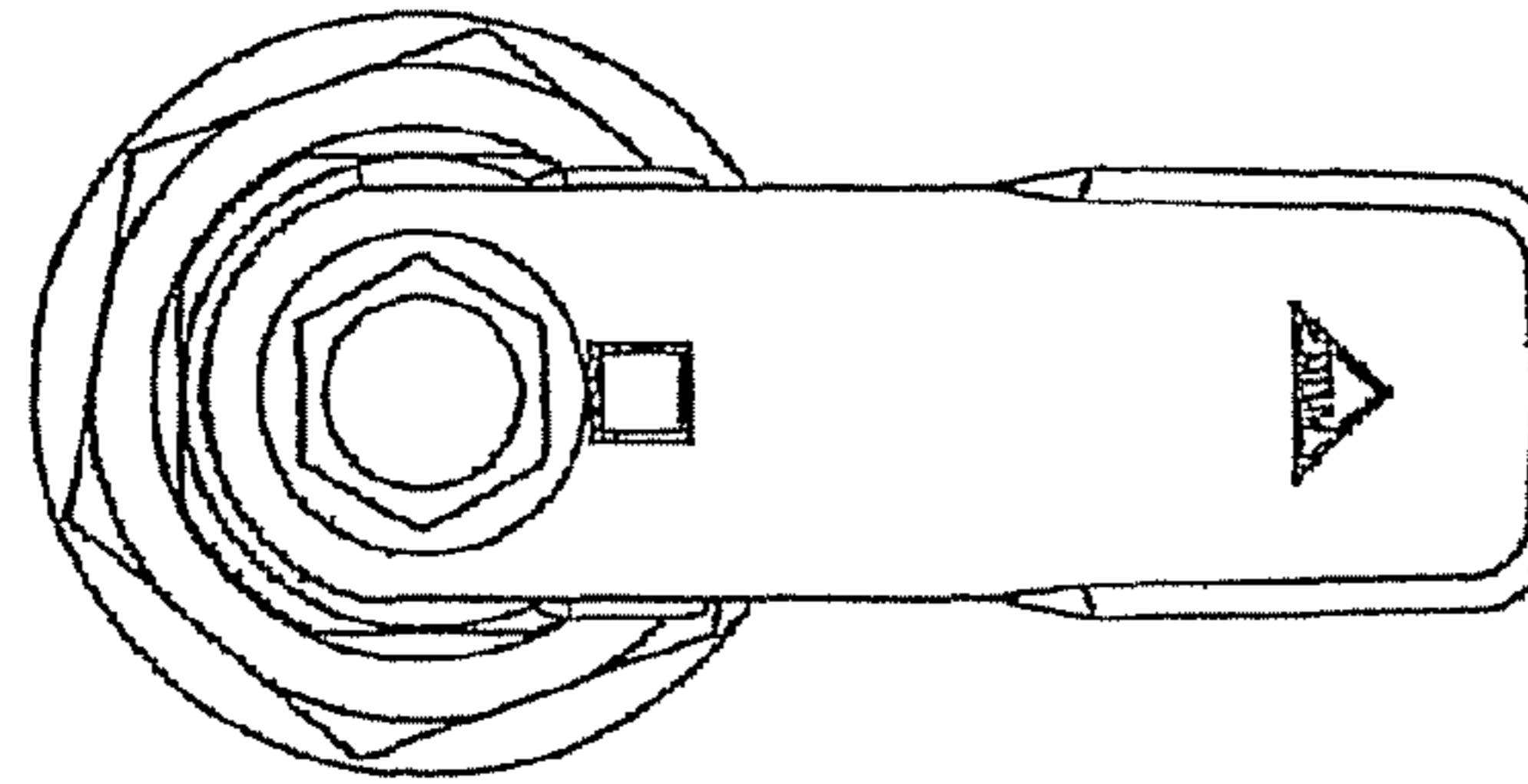


FIG. 6

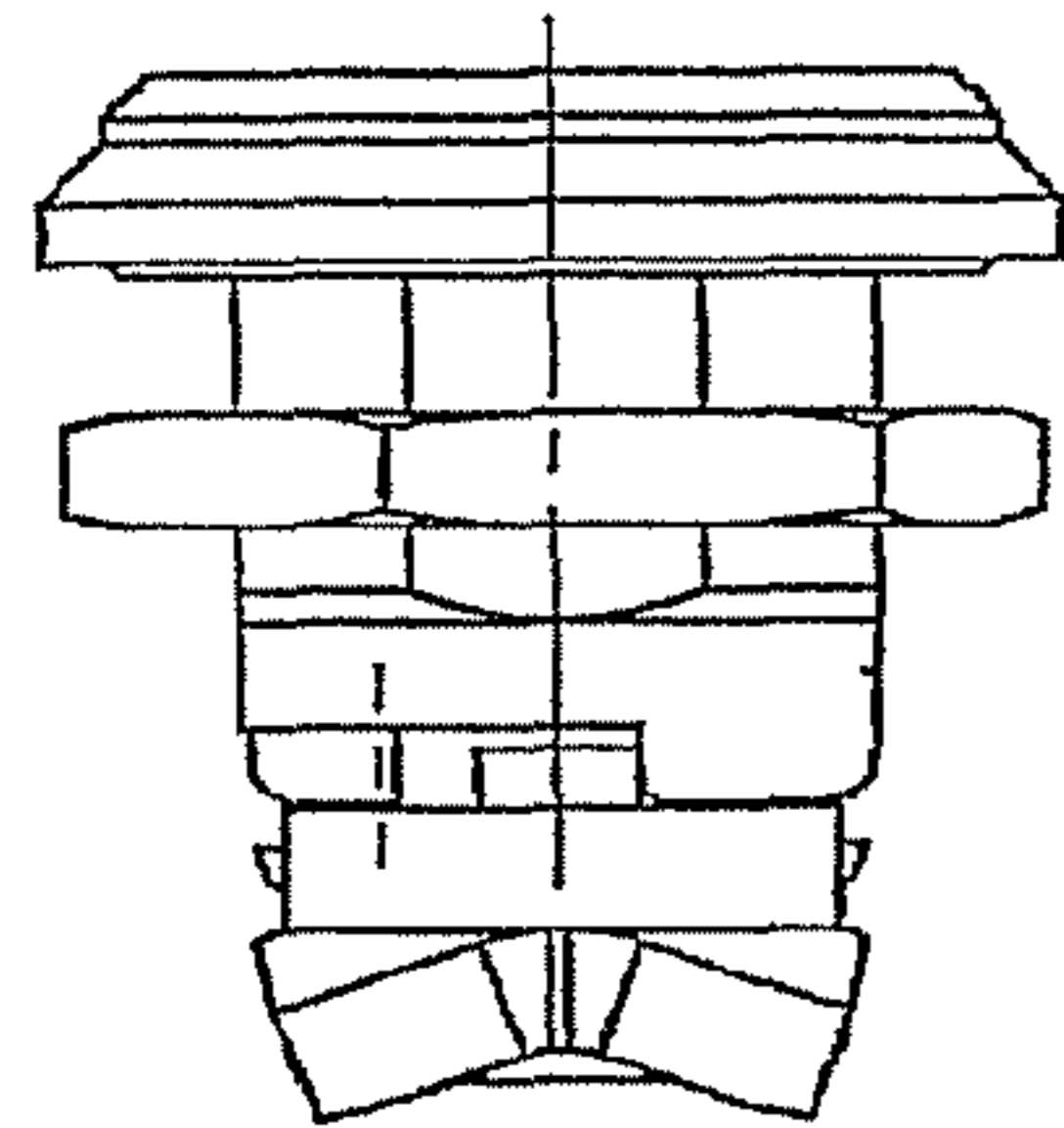


FIG. 5

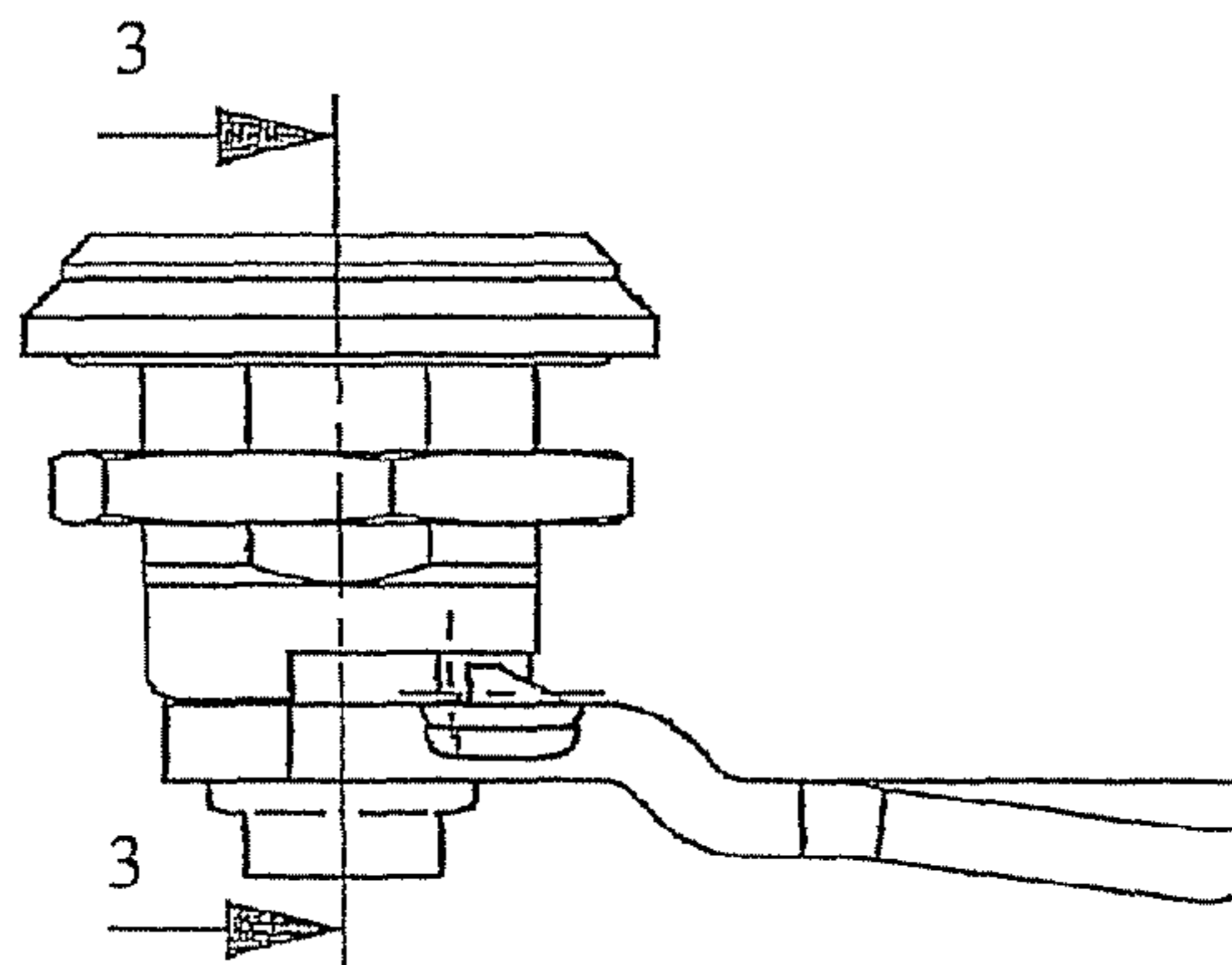


FIG. 4

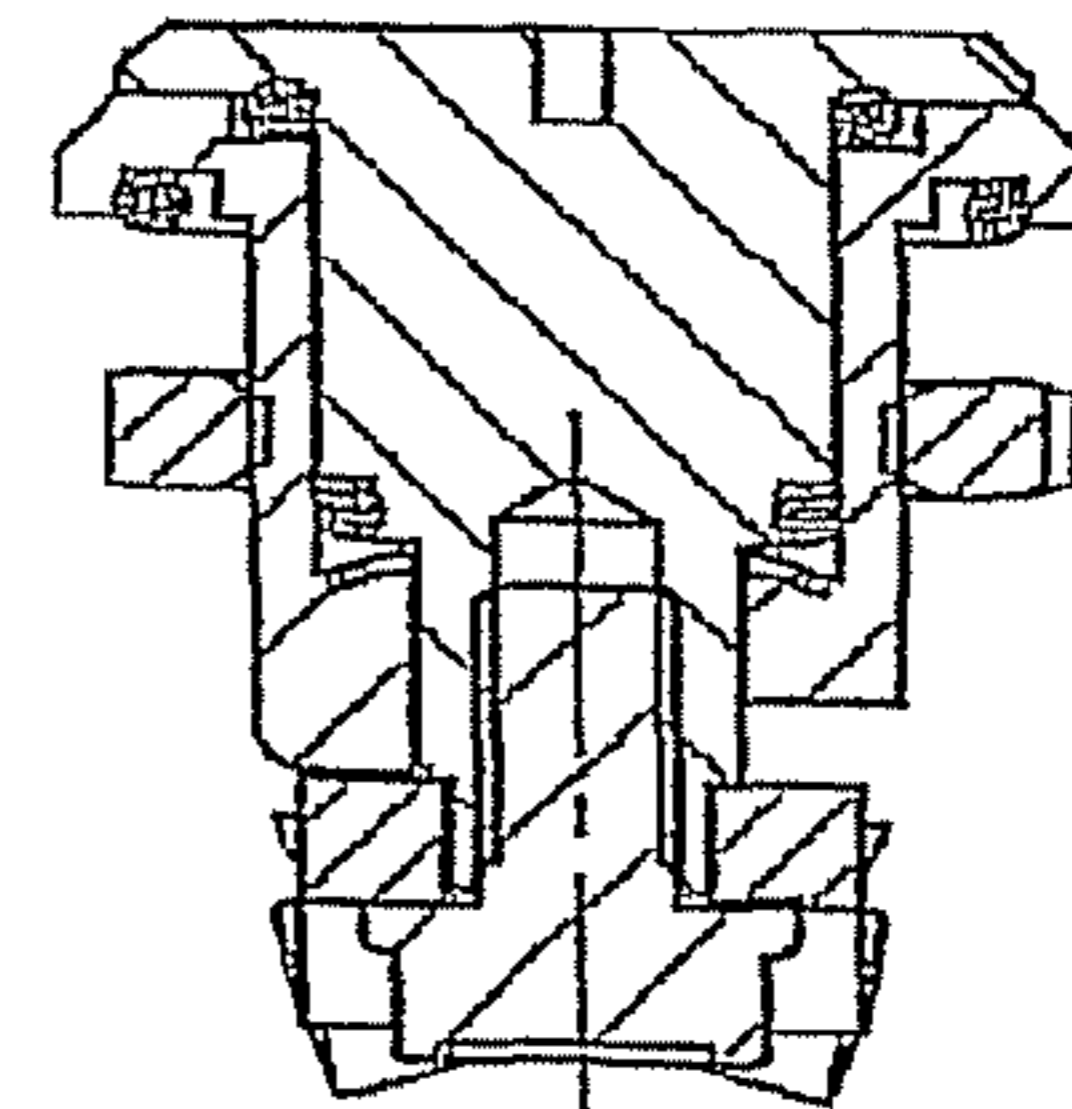


FIG. 3

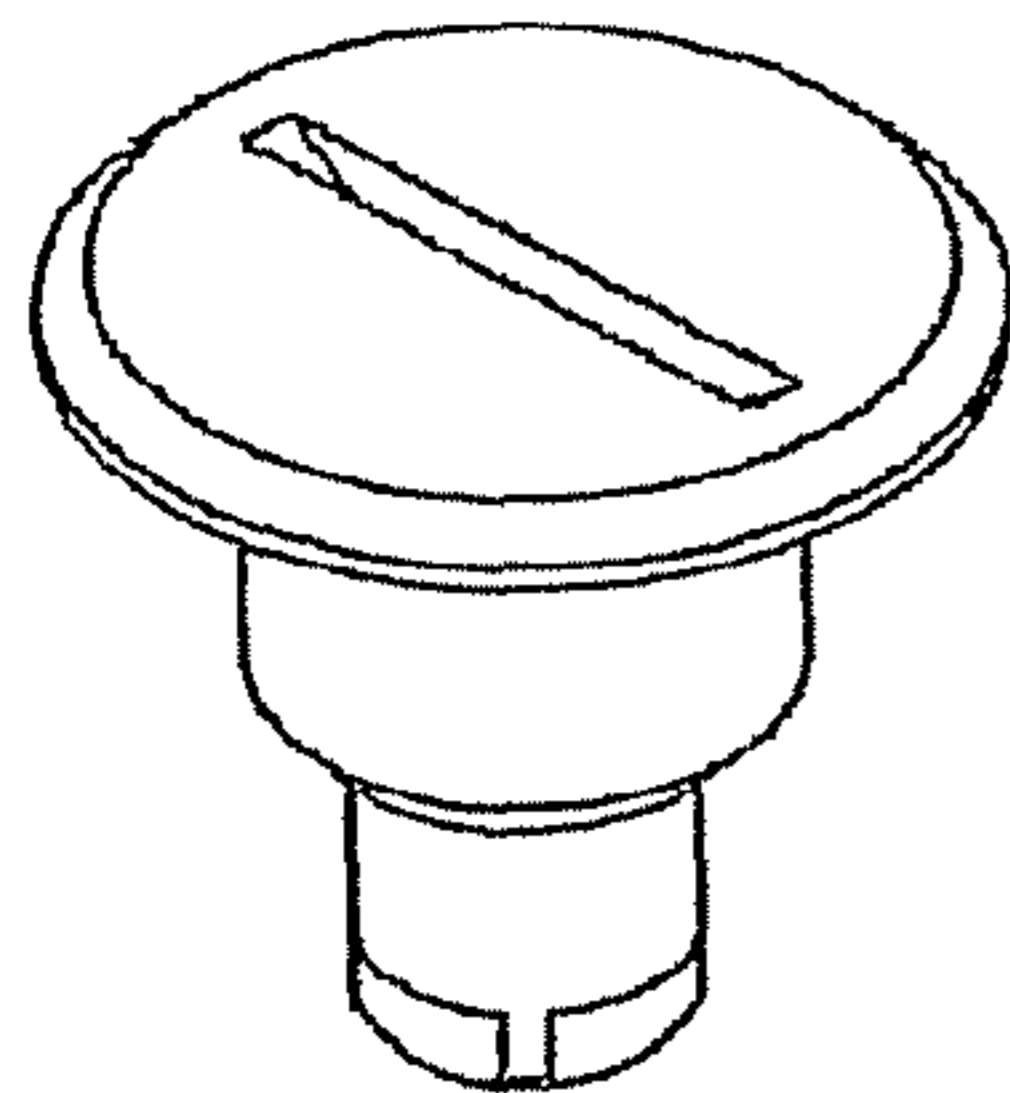


FIG. 7

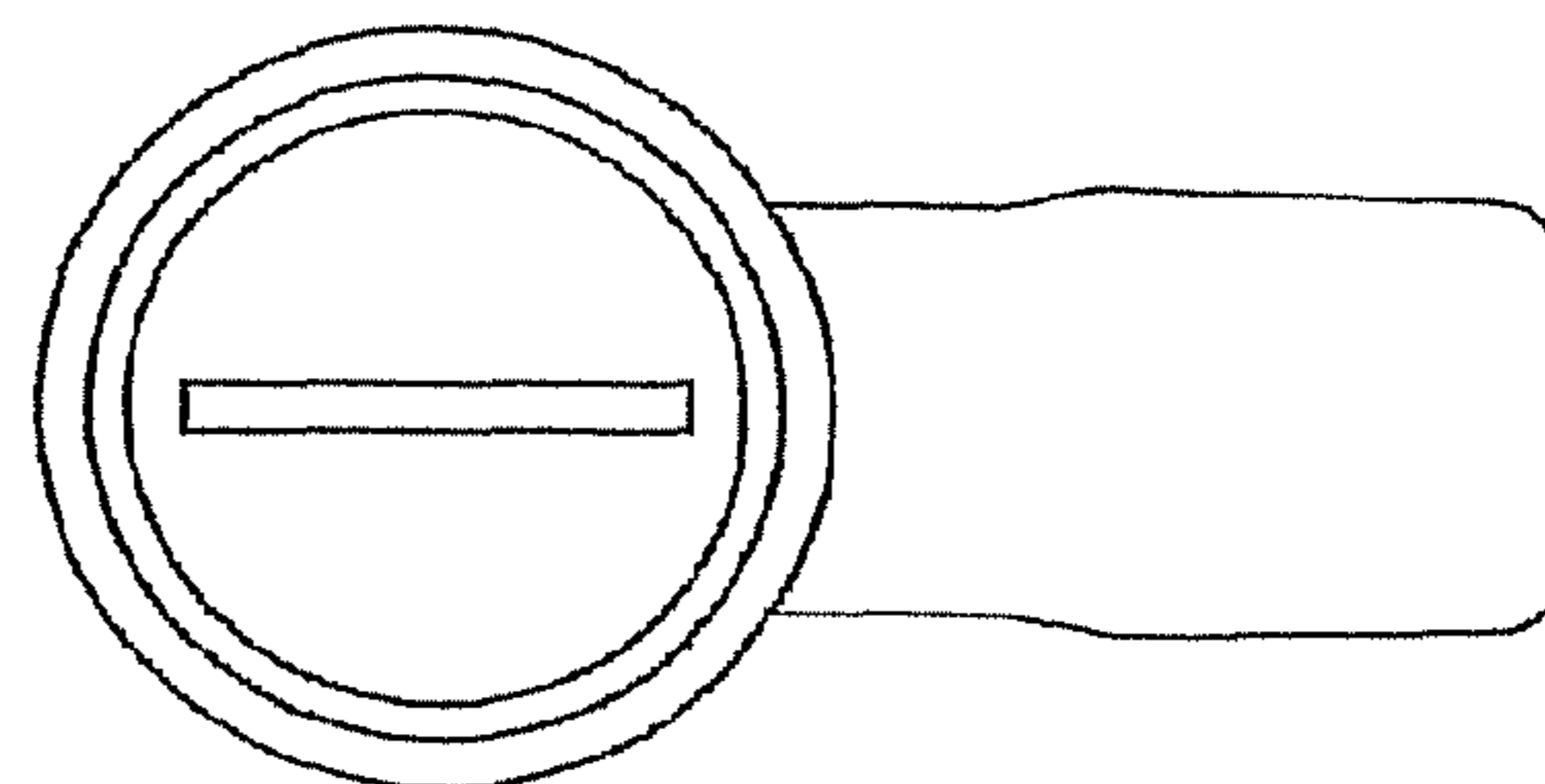


FIG. 2

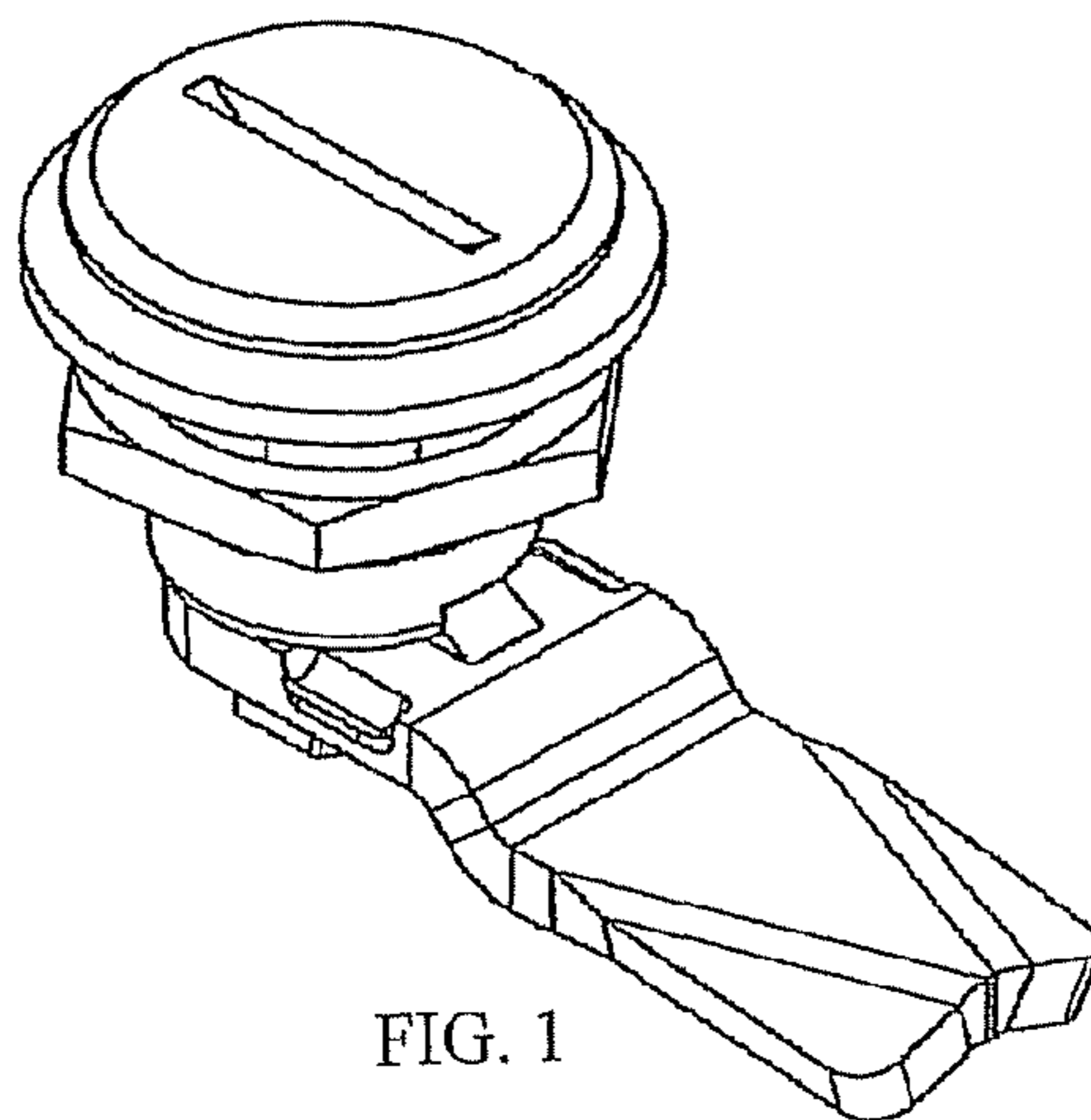


FIG. 1

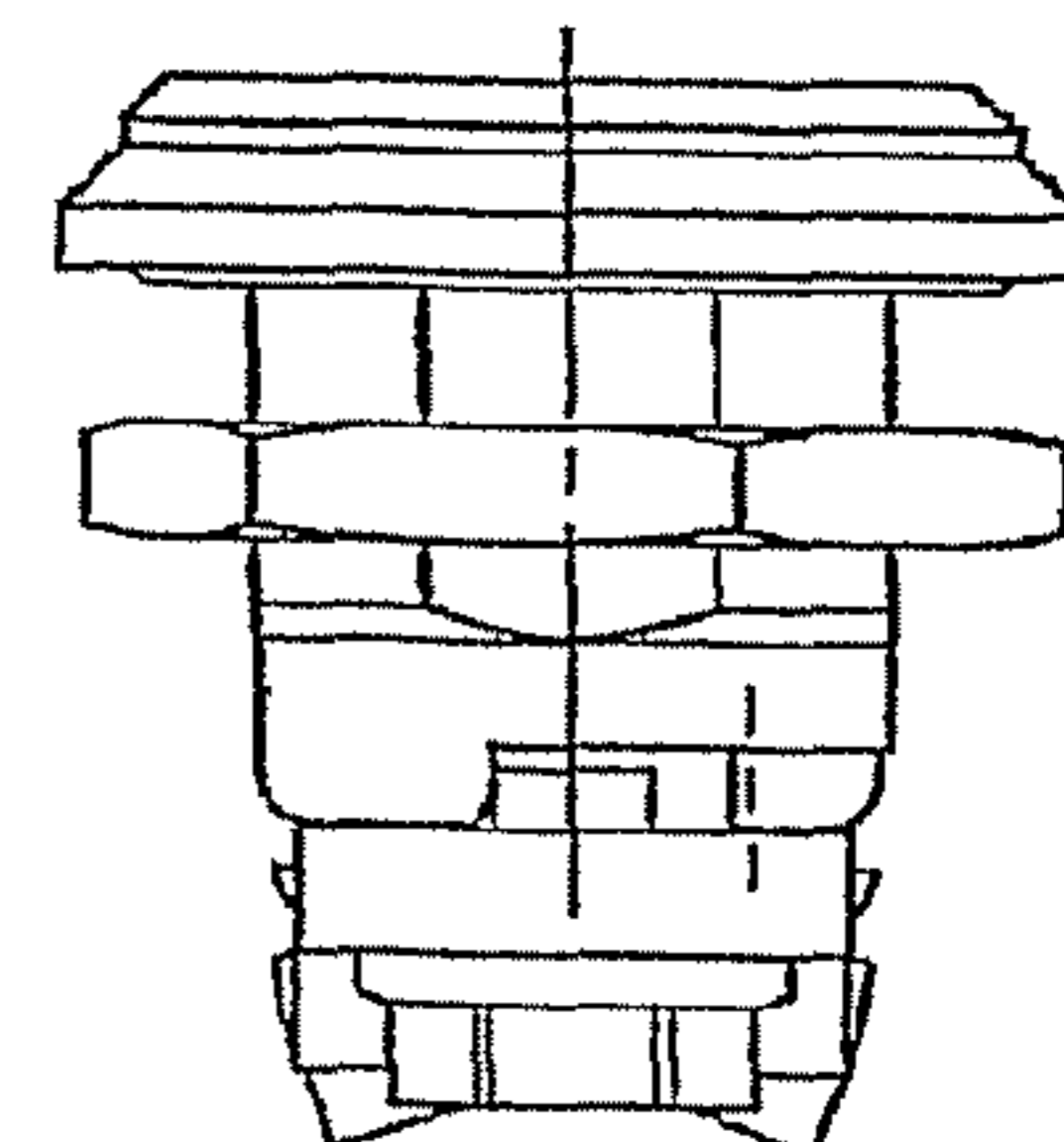


FIG. 8