



US00D652283S

(12) **United States Design Patent**  
**Arvinte et al.**

(10) **Patent No.:** **US D652,283 S**  
(45) **Date of Patent:** **\*\* Jan. 17, 2012**

(54) **DRYWALL SANDER**  
(75) Inventors: **Roméo Arvinte**, Laval-des-Rapides (CA); **François Panfili**, Berthierville (CA)  
(73) Assignee: **A. Richard Tools Co./Outils A. Richard Co.**, Berthierville, Quebec (CA)  
(\*\*) Term: **14 Years**  
(21) Appl. No.: **29/376,032**  
(22) Filed: **Sep. 30, 2010**

(30) **Foreign Application Priority Data**  
Mar. 31, 2010 (CA) ..... 134796  
(51) **LOC (9) Cl.** ..... **08-05**  
(52) **U.S. Cl.** ..... **D8/90**  
(58) **Field of Classification Search** ..... D8/62, D8/90; D32/40; 451/344, 354, 356, 503, 451/514, 516, 522-524  
See application file for complete search history.

(56) **References Cited**  
U.S. PATENT DOCUMENTS  
2,201,645 A \* 5/1940 Epner ..... 451/516  
2,711,059 A \* 6/1955 Ames ..... 451/522  
3,123,946 A \* 3/1964 Hoveland ..... 451/522  
3,483,662 A \* 12/1969 Ames ..... 451/524  
3,822,518 A \* 7/1974 Sjostrand ..... 451/516  
4,516,360 A \* 5/1985 Gringer et al. .... 451/516  
4,516,361 A \* 5/1985 Gringer ..... 451/524  
4,885,876 A \* 12/1989 Henke ..... 451/503  
D311,318 S \* 10/1990 Ovens ..... D8/90  
5,103,599 A \* 4/1992 Carlson ..... 451/514  
D346,944 S \* 5/1994 Poole ..... D8/90  
D369,080 S \* 4/1996 Tollis ..... D8/90  
5,902,176 A \* 5/1999 Chen ..... 451/524  
6,095,911 A \* 8/2000 Edens ..... 451/524  
6,468,141 B1 \* 10/2002 Conboy et al. .... 451/354  
D512,295 S \* 12/2005 Florio ..... D8/90  
7,011,573 B2 \* 3/2006 McArthur et al. .... 451/523  
D525,507 S \* 7/2006 Kirschhoffer et al. .... D8/90  
D527,240 S \* 8/2006 Kirschhoffer et al. .... D8/90  
7,112,128 B1 \* 9/2006 Kirschhoffer et al. .... 451/499  
D530,178 S \* 10/2006 Bortz ..... D8/90  
7,144,300 B1 \* 12/2006 Cybulski et al. .... 451/28

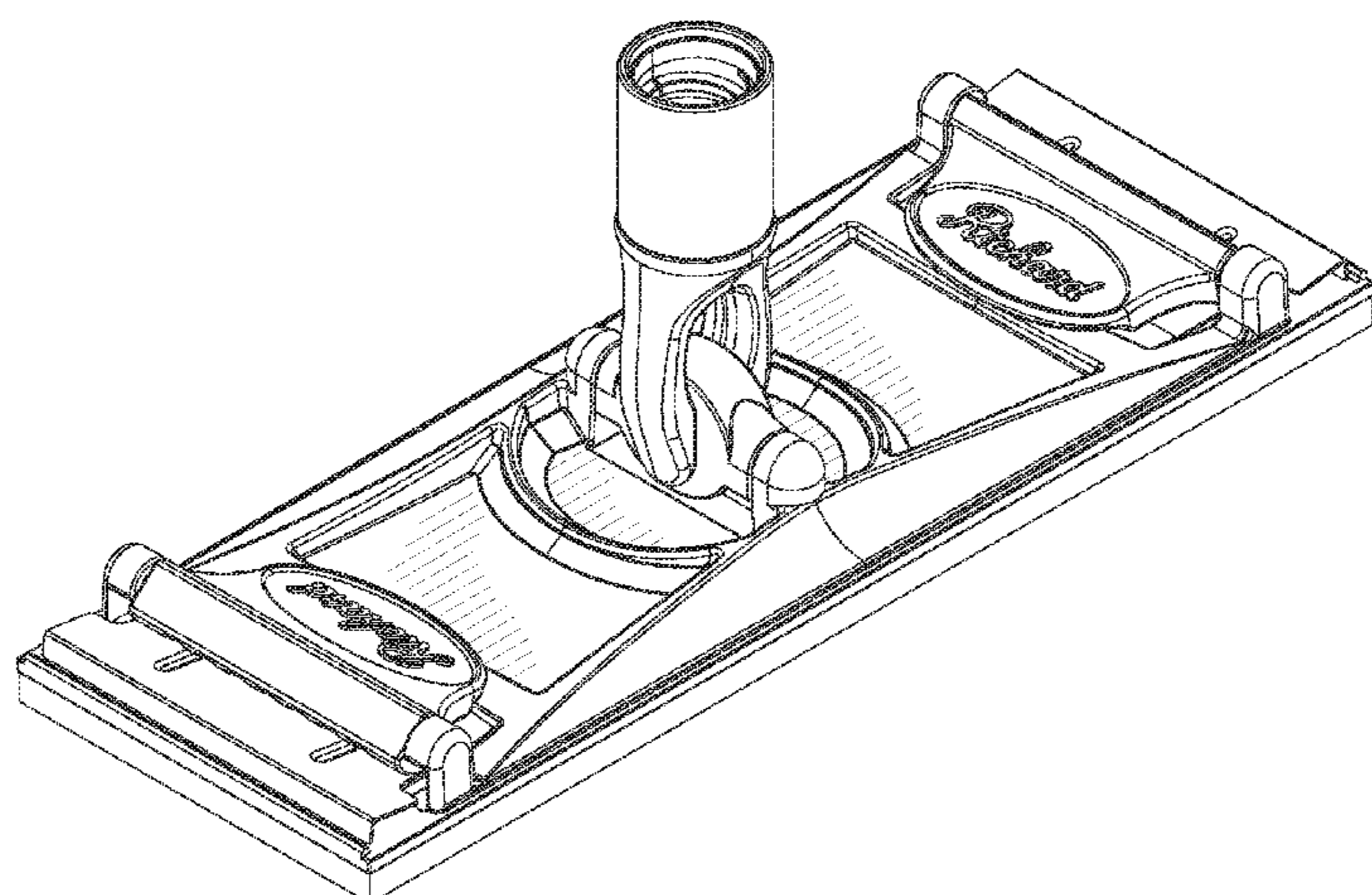
D556,534 S \* 12/2007 Henke et al. .... D8/90  
D567,053 S \* 4/2008 Panfili ..... D8/90  
7,396,276 B2 \* 7/2008 Ali et al. .... 451/356  
7,416,477 B2 \* 8/2008 Henke et al. .... 451/344  
7,488,242 B2 \* 2/2009 Gringer et al. .... 451/344  
7,632,174 B2 \* 12/2009 Gringer et al. .... 451/344  
7,670,210 B2 \* 3/2010 Annis ..... 451/523  
7,815,494 B2 \* 10/2010 Gringer et al. .... 451/344  
2010/0009609 A1 \* 1/2010 Dow et al. .... 451/522

\* cited by examiner  
*Primary Examiner* — Philip S Hyder  
*Assistant Examiner* — Roselynn Cody  
(74) *Attorney, Agent, or Firm* — Merchant & Gould P.C.

(57) **CLAIM**  
The ornamental design for a drywall sander, as shown and described.

**DESCRIPTION**  
FIG. 1 is a perspective view of a first embodiment of a drywall sander showing our new design.  
FIG. 2 is a left side elevational view thereof.  
FIG. 3 is a right side elevational view thereof.  
FIG. 4 is a front elevational view thereof.  
FIG. 5 is a rear elevational view thereof.  
FIG. 6 is a top plan view thereof.  
FIG. 7 is a bottom plan view thereof.  
FIG. 8 is a perspective view of a second embodiment of a drywall sander showing our new design.  
FIG. 9 is a left side elevational view thereof.  
FIG. 10 is a right side elevational view thereof.  
FIG. 11 is a front elevational view thereof.  
FIG. 12 is a rear elevational view thereof.  
FIG. 13 is a top plan view thereof.  
FIG. 14 is a bottom plan view thereof.  
FIG. 15 is a bottom perspective view thereof.  
FIG. 16 is a bottom perspective view showing the view of the slot; and,  
FIG. 17 is a bottom perspective view thereof.  
The broken lines in the figures illustrate features that form no part of the claimed design.

**1 Claim, 17 Drawing Sheets**



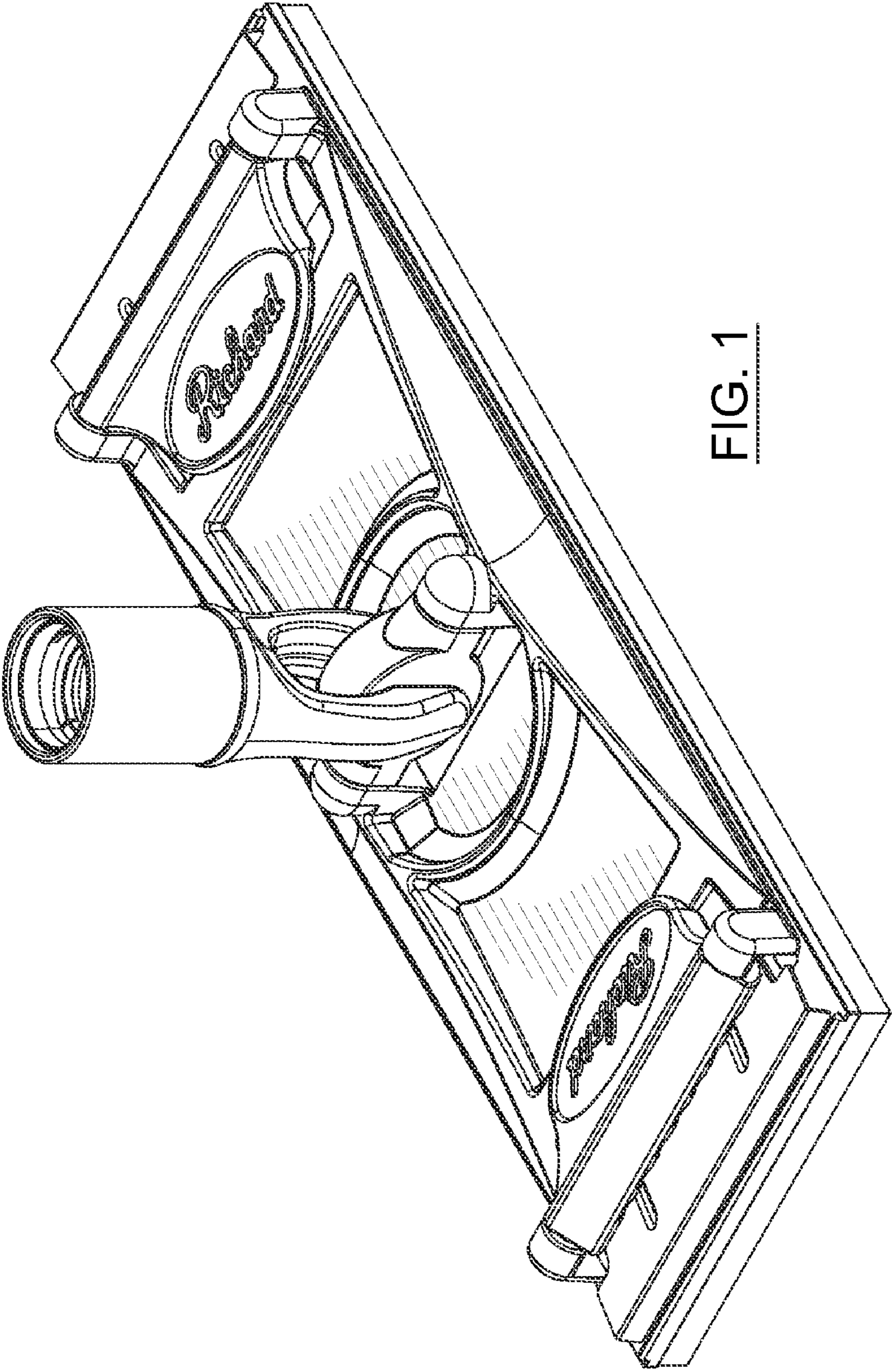


FIG. 1

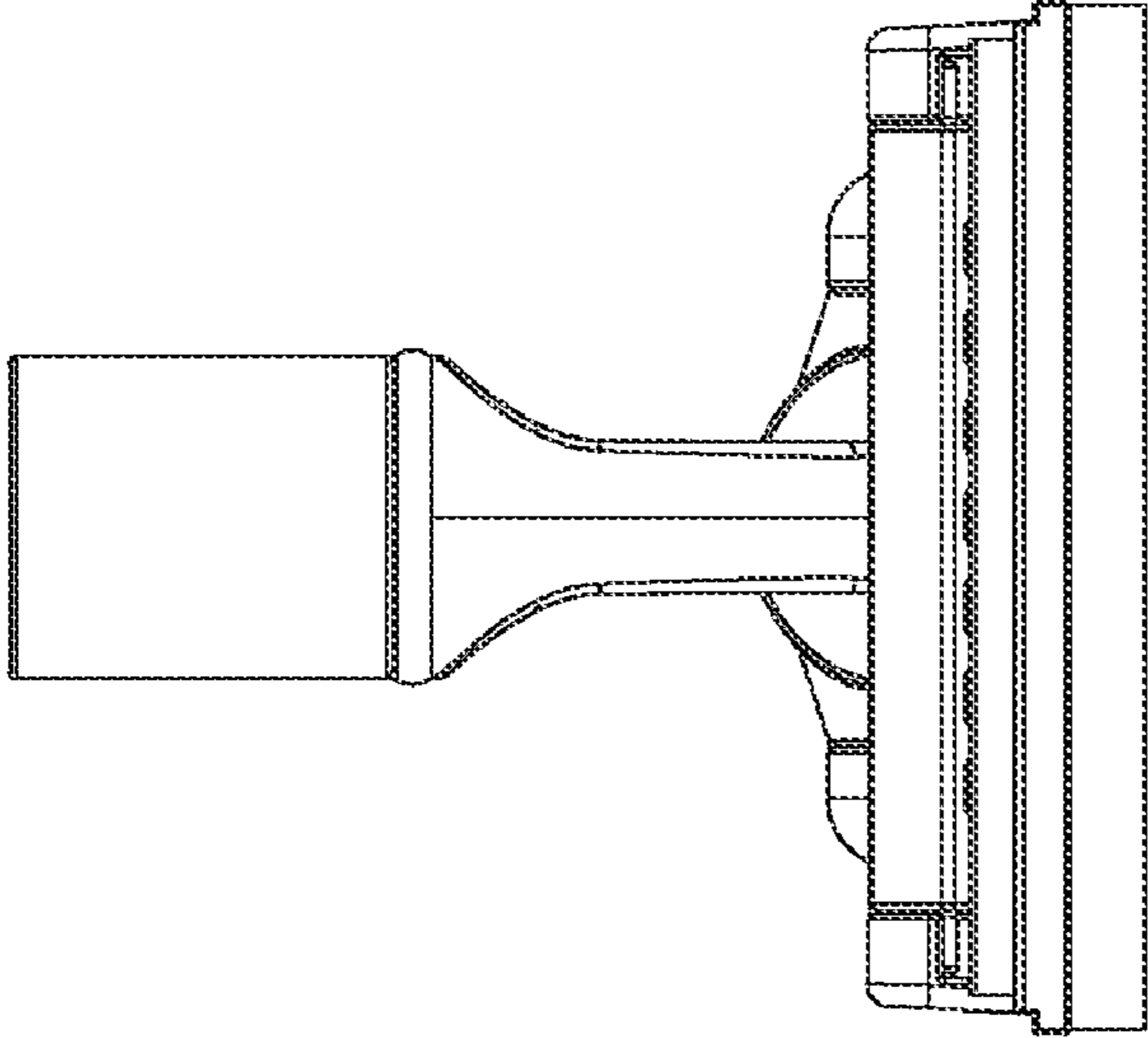


FIG. 2

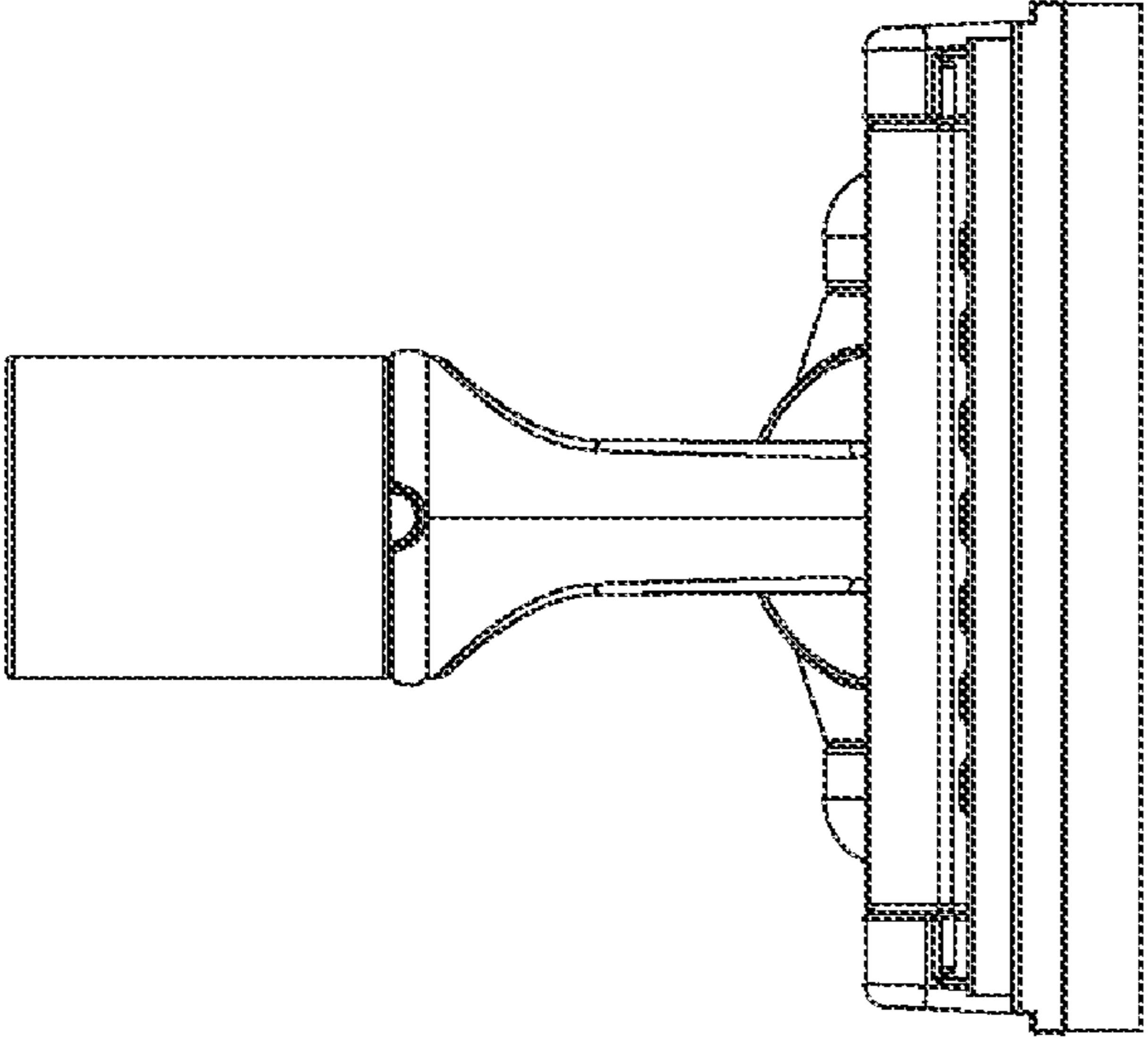


FIG. 3

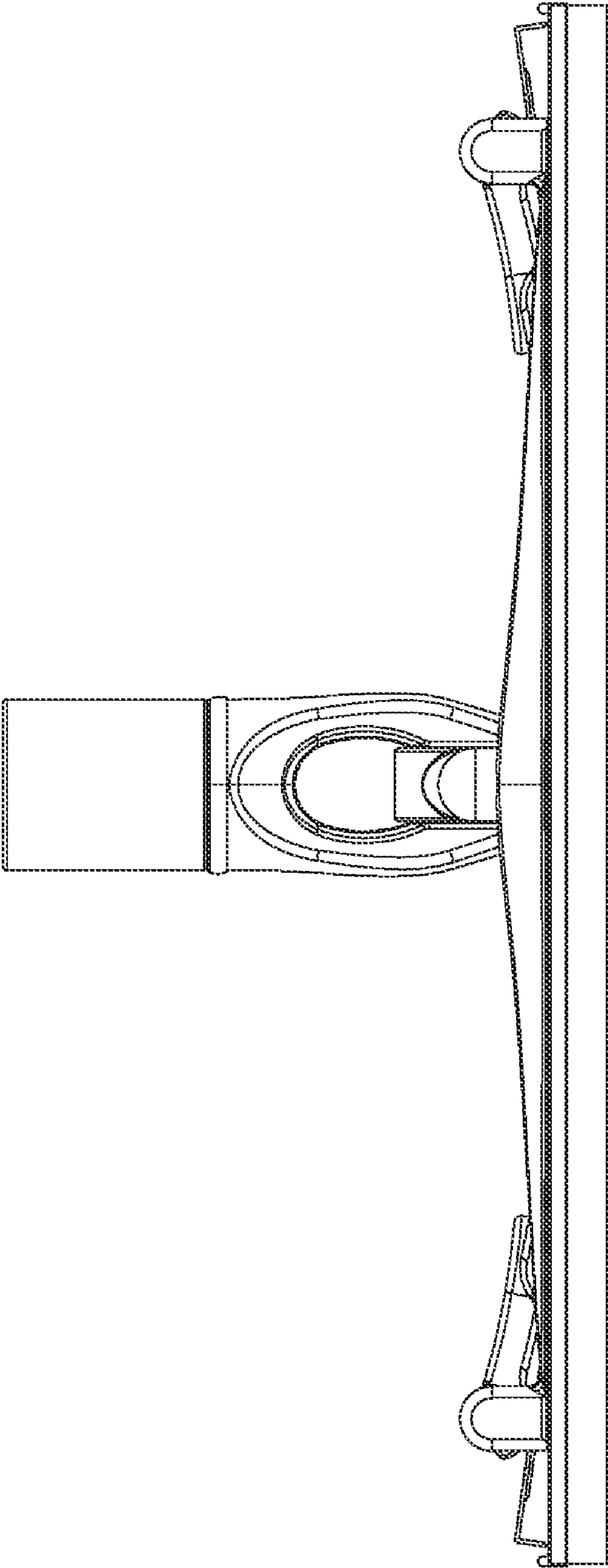


FIG. 4

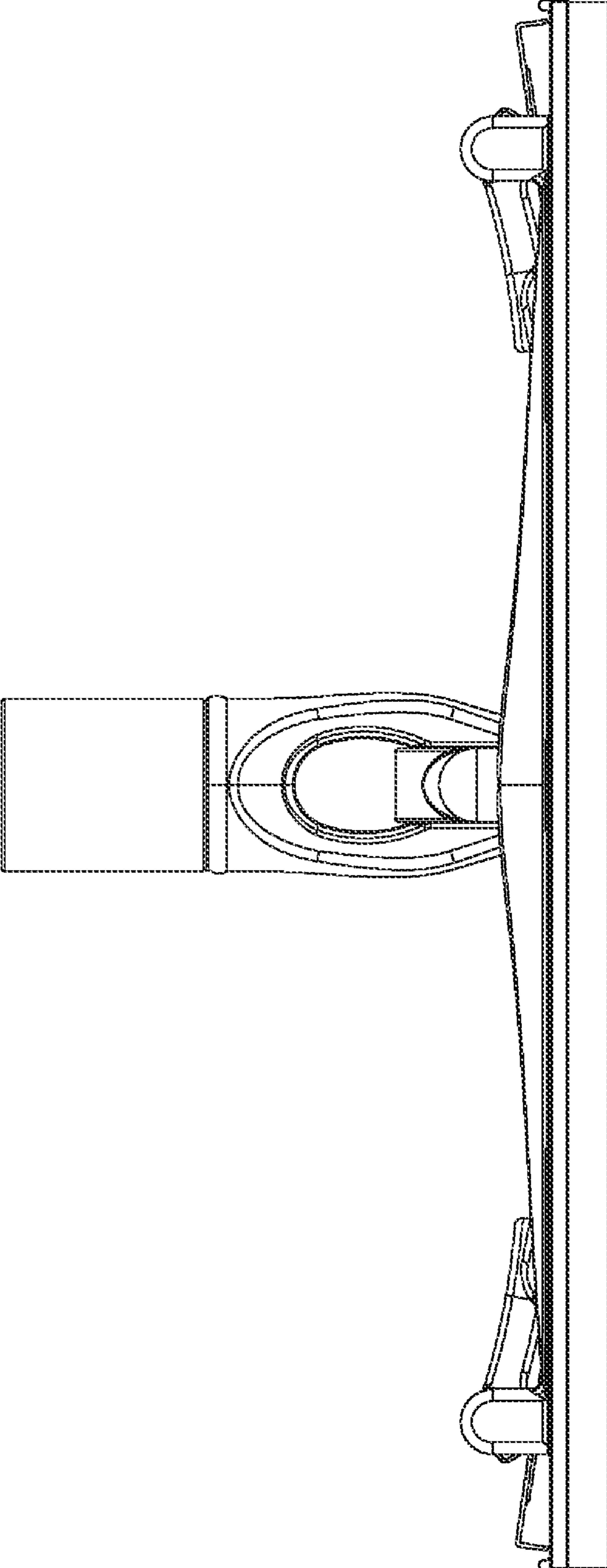


FIG. 5

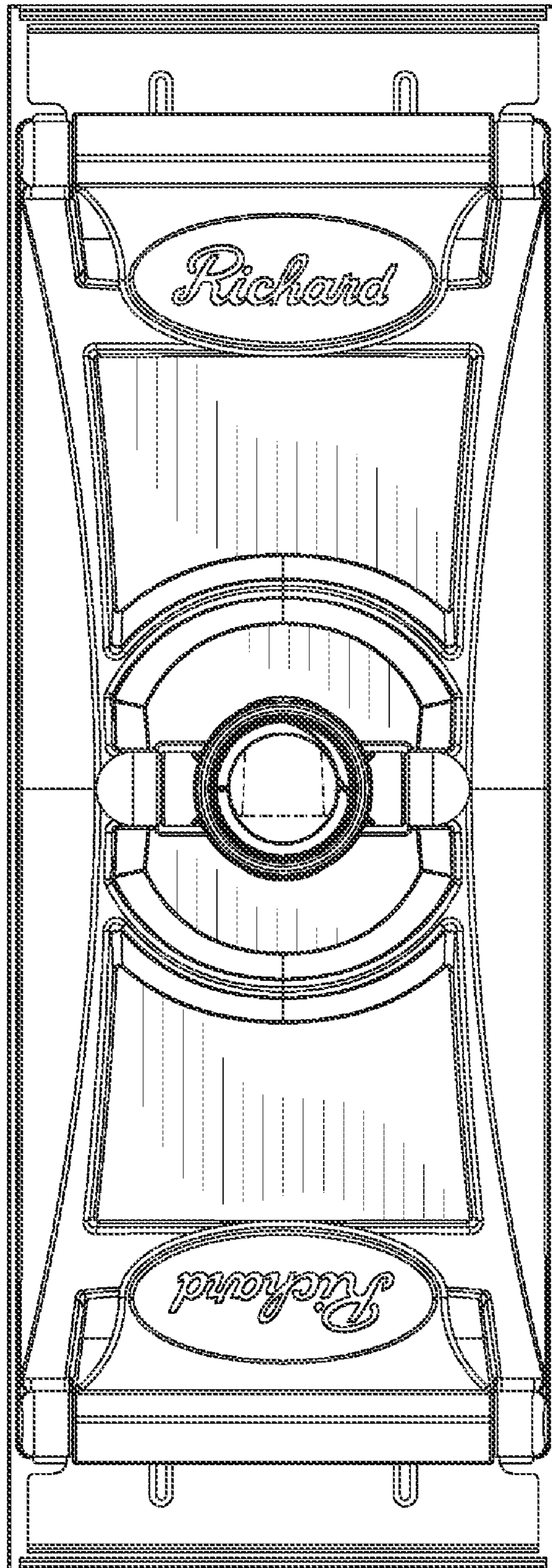


FIG. 6

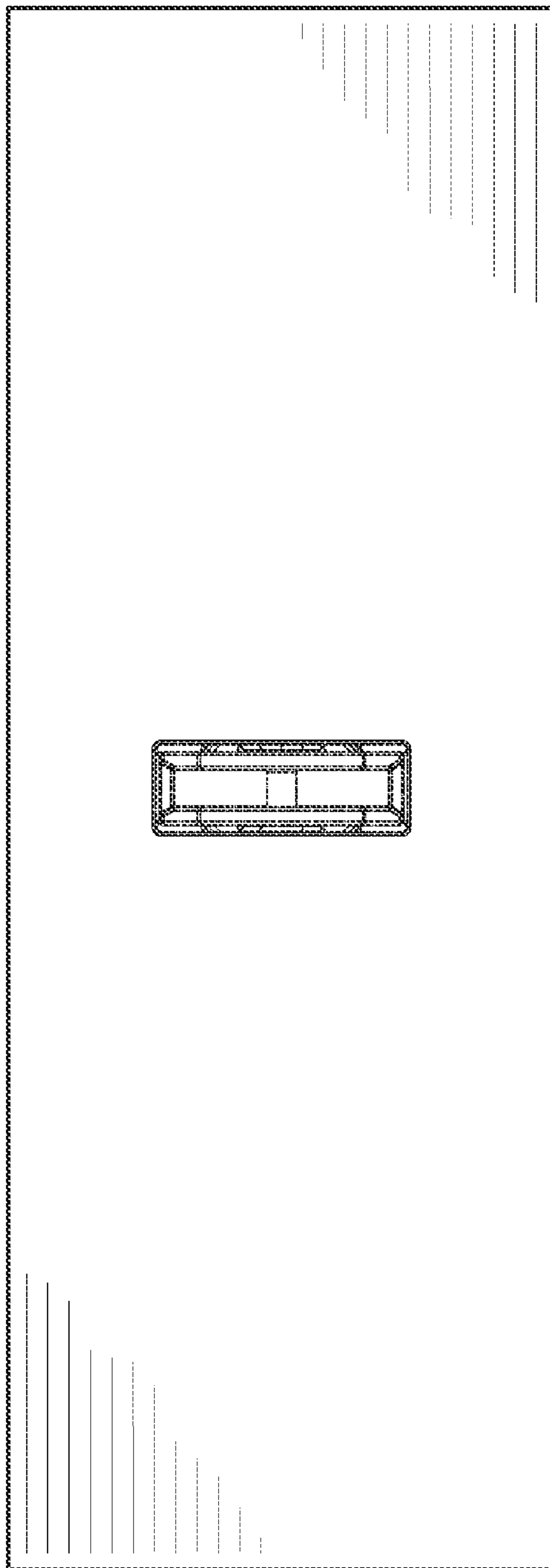


FIG. 7



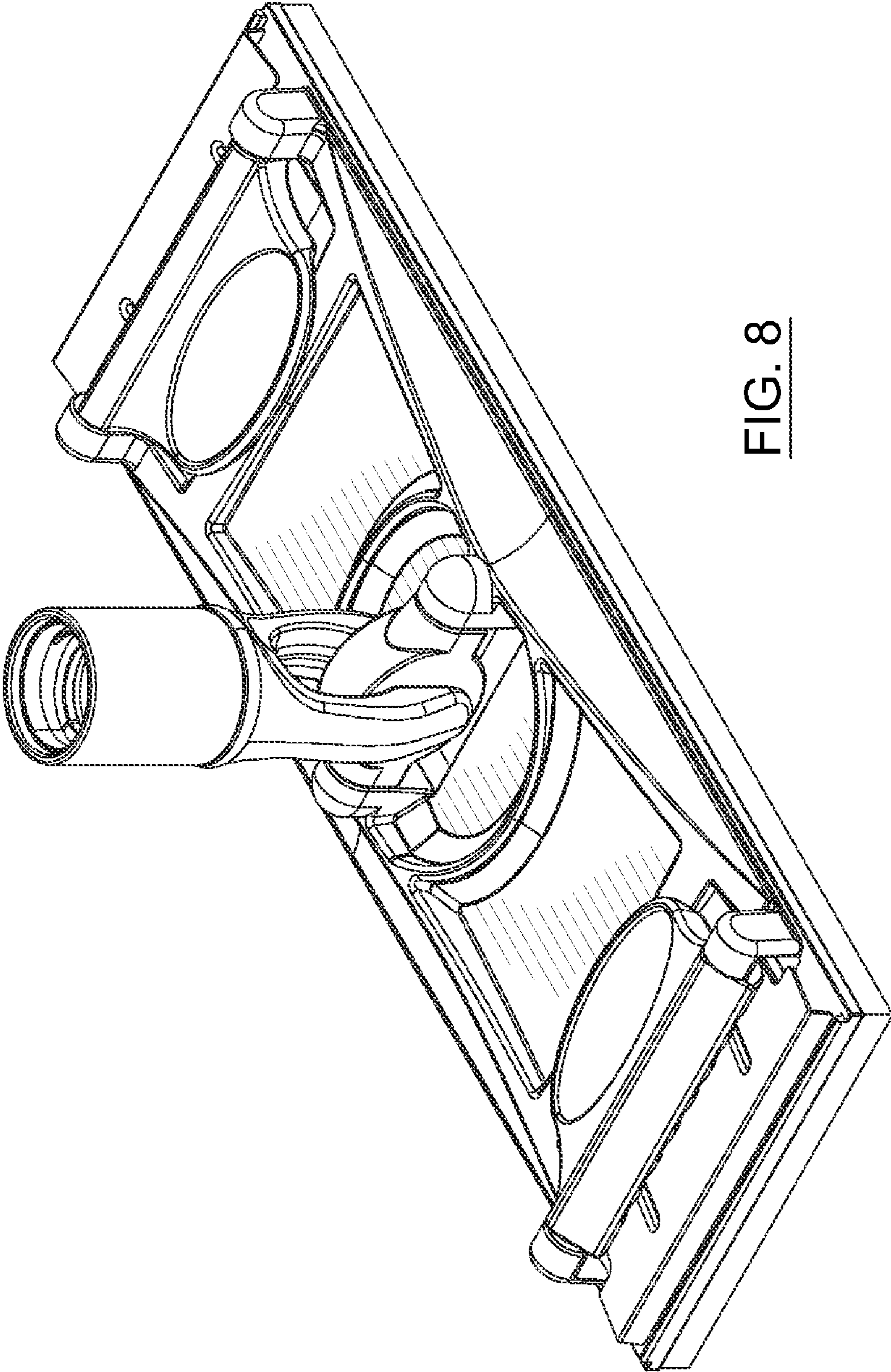


FIG. 8

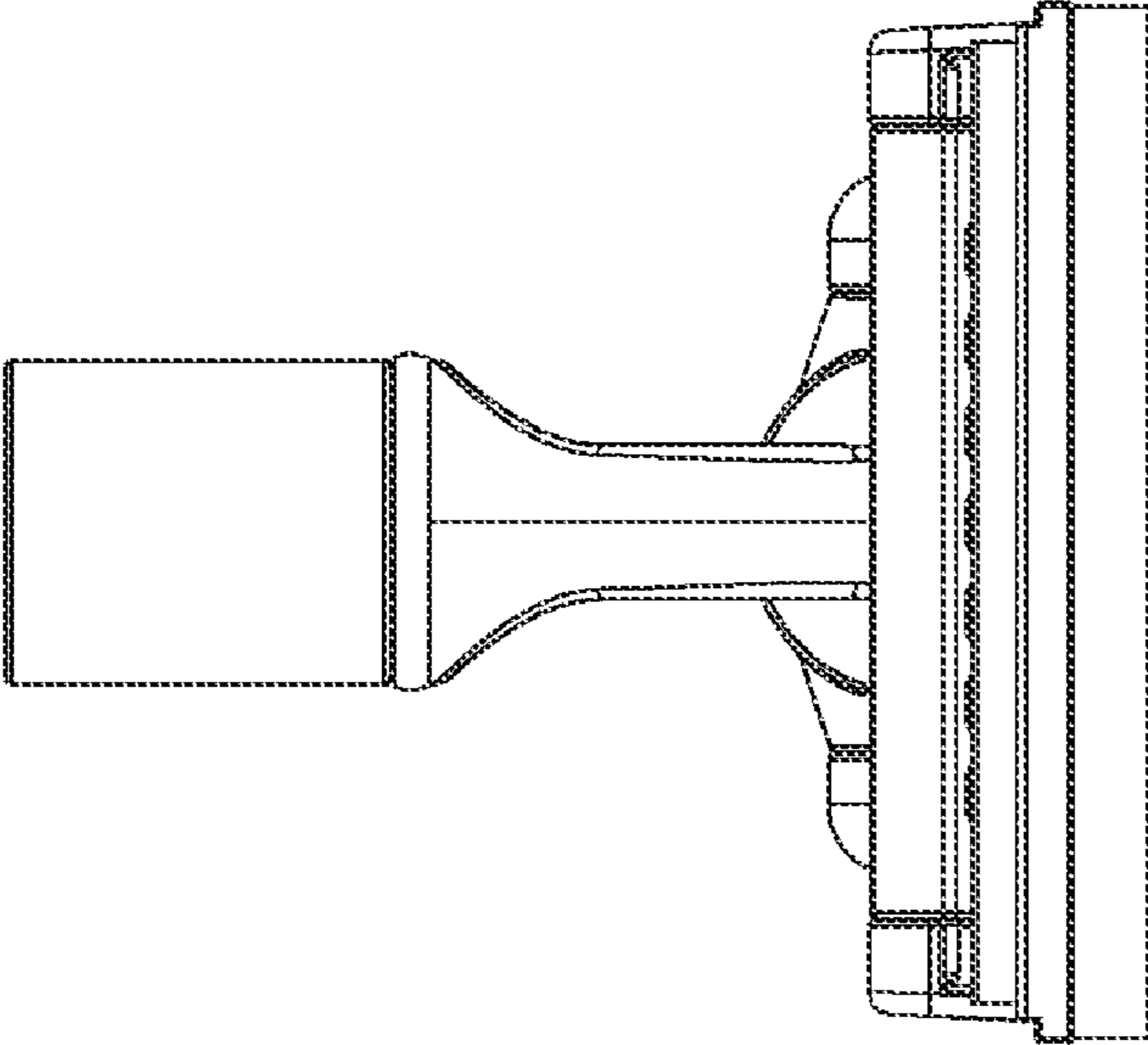


FIG. 9

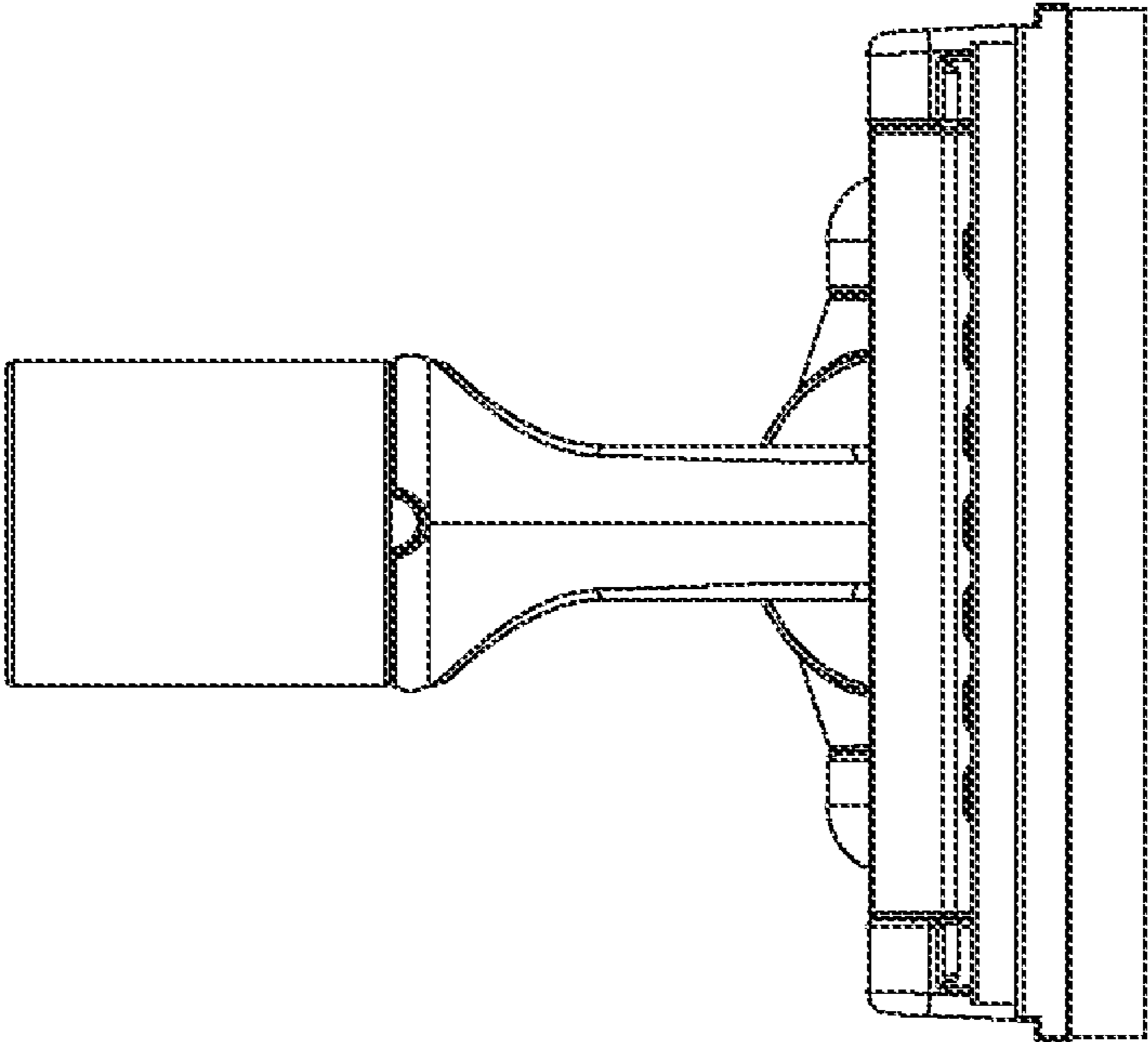


FIG. 10

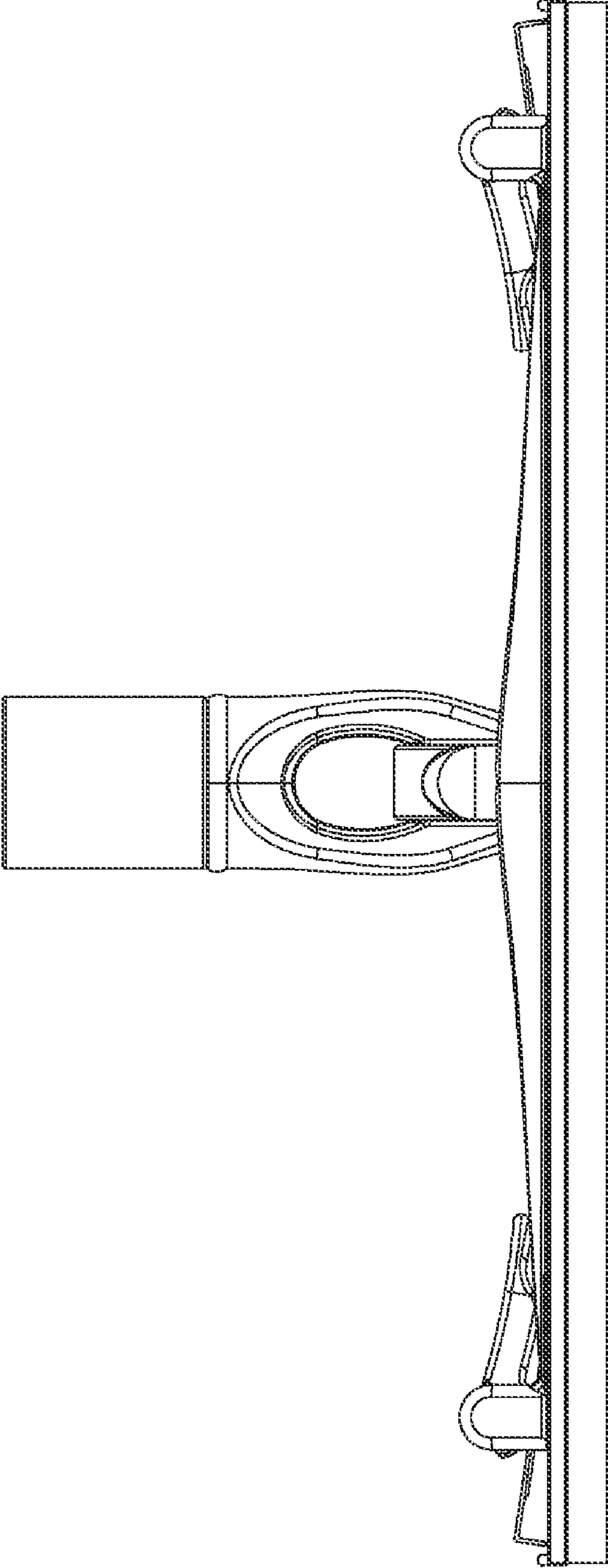


FIG. 11

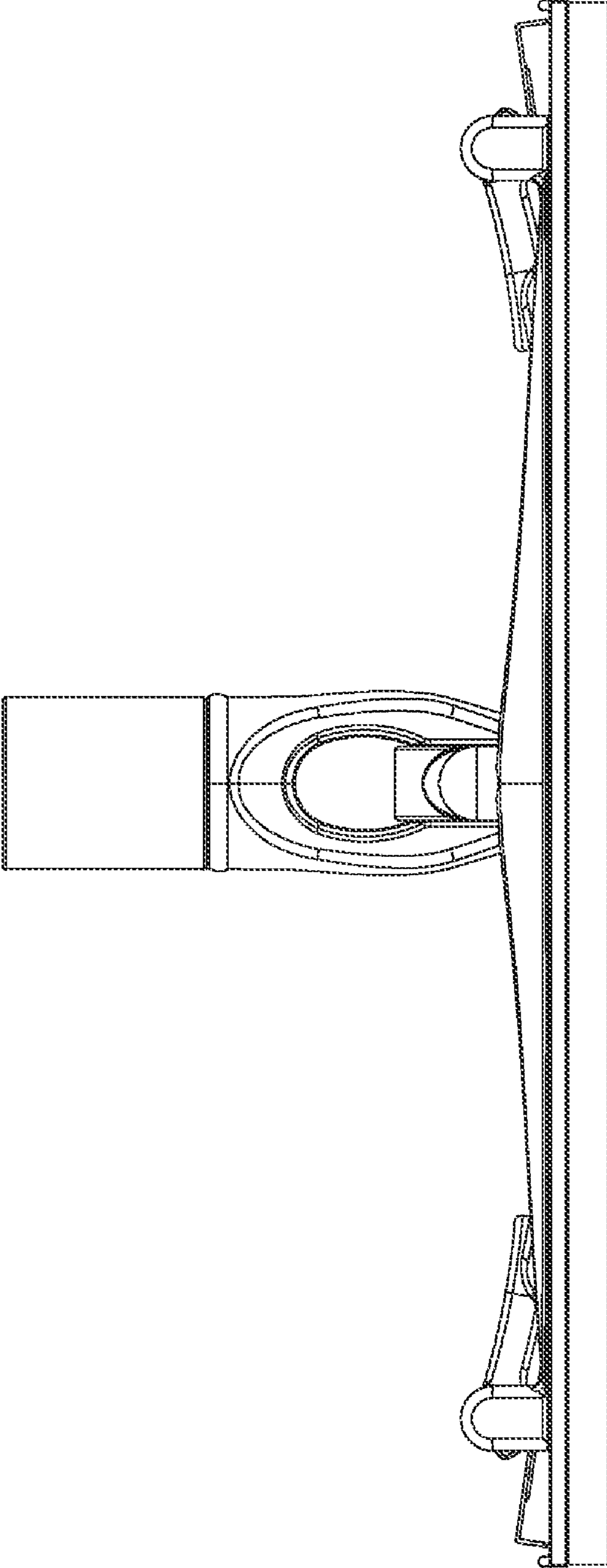


FIG. 12

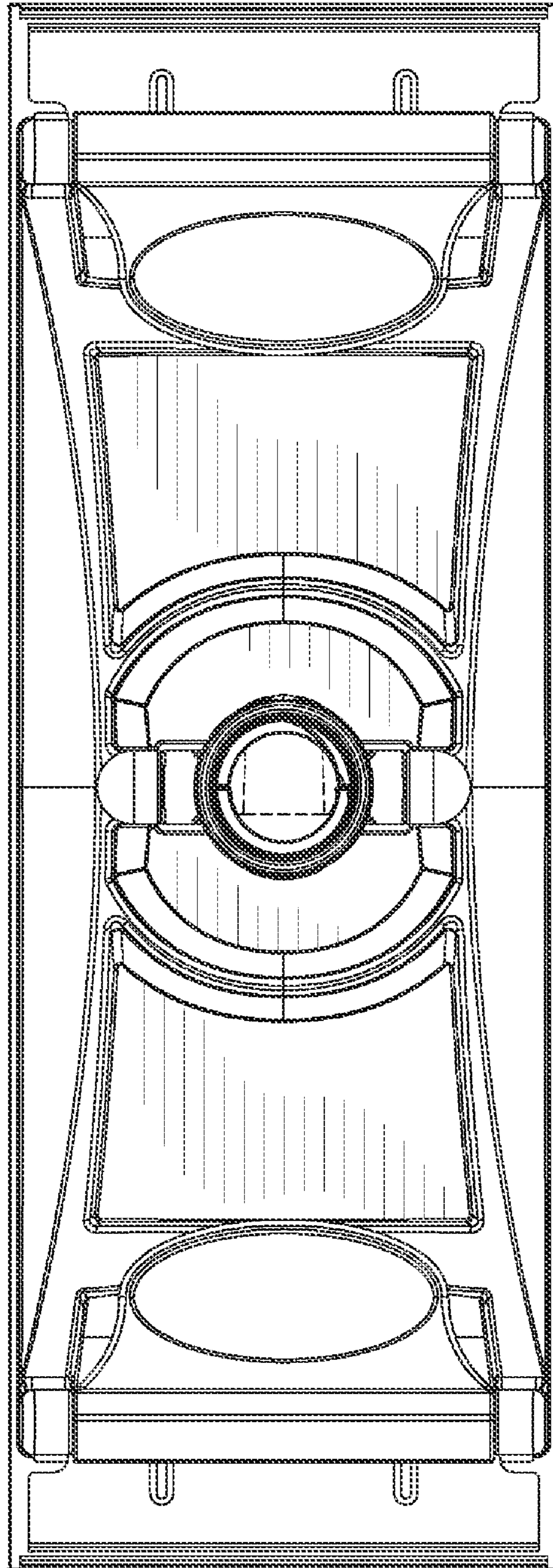


FIG. 13

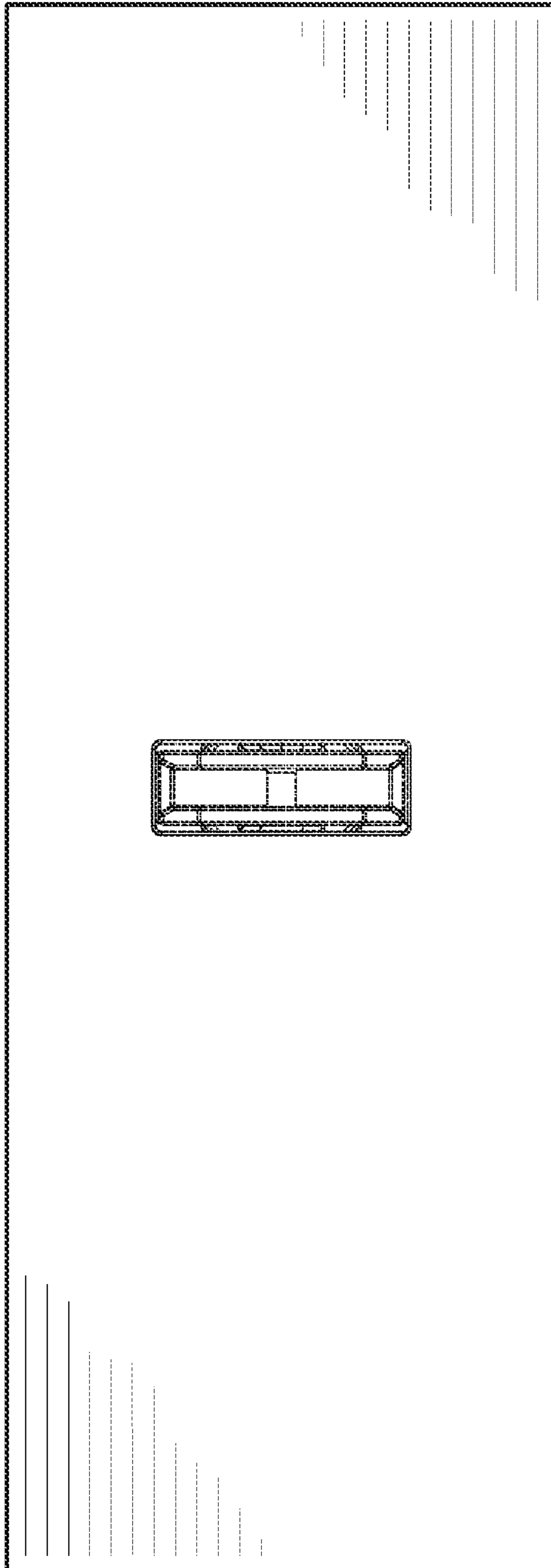


FIG. 14

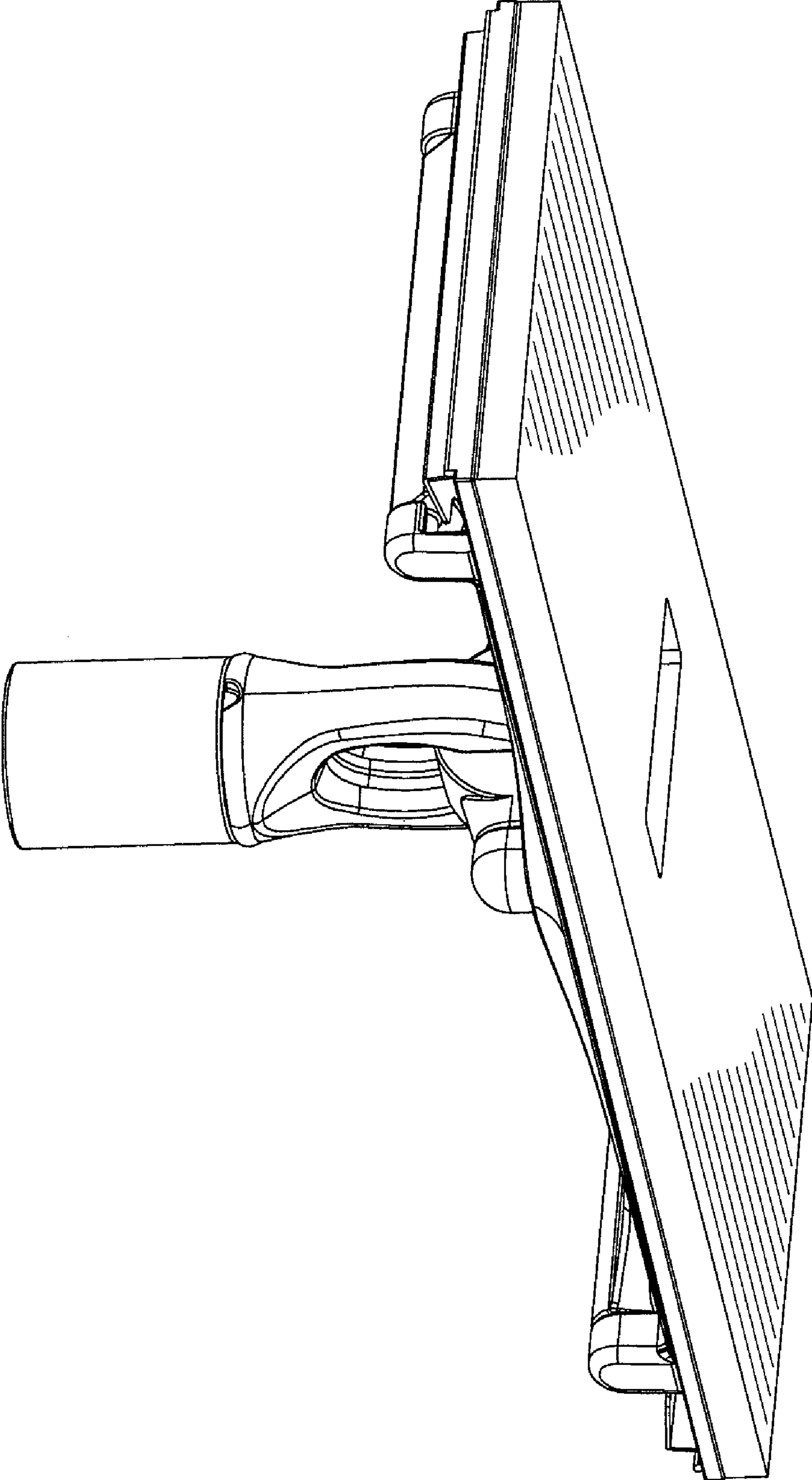


FIG. 15



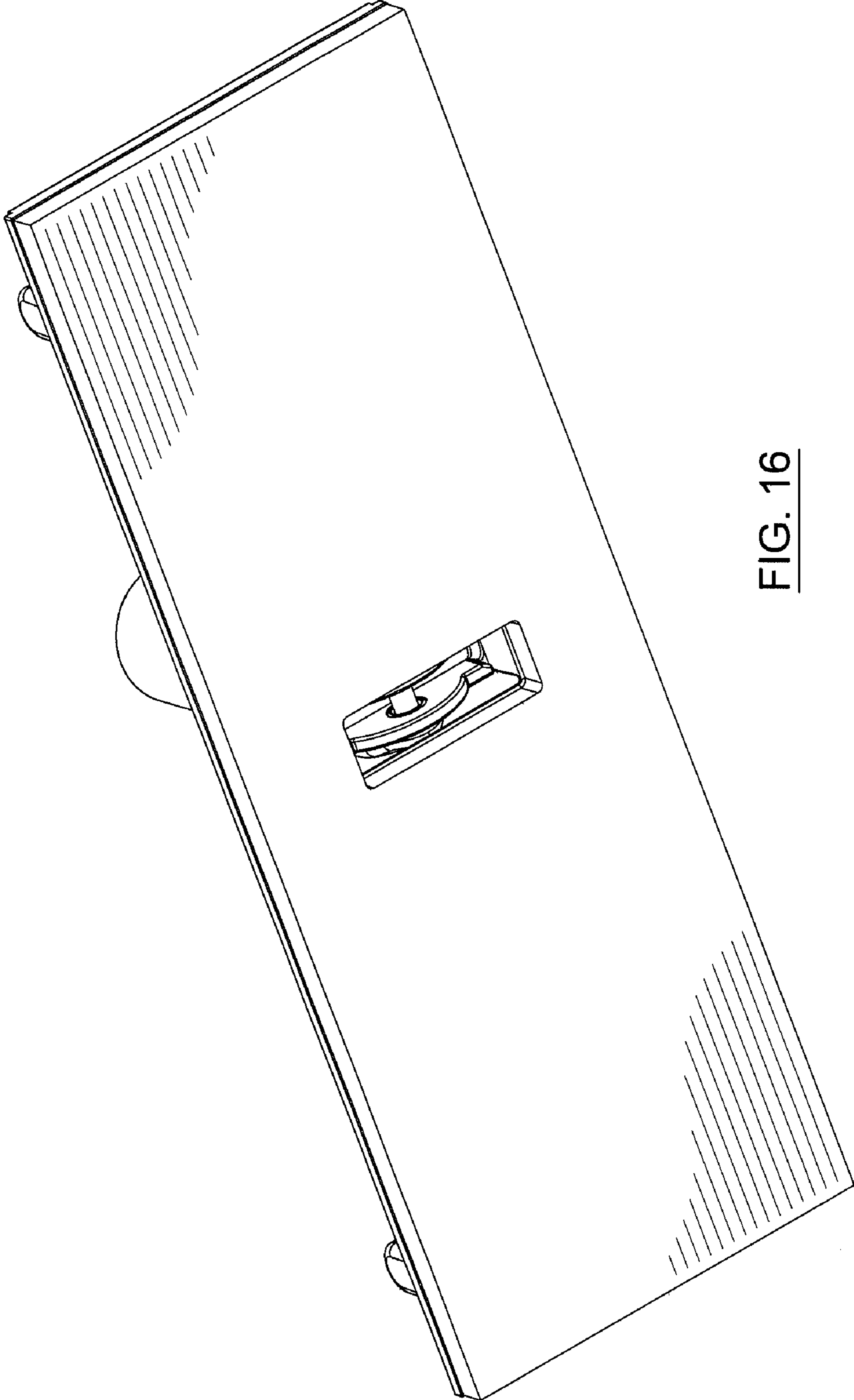


FIG. 16

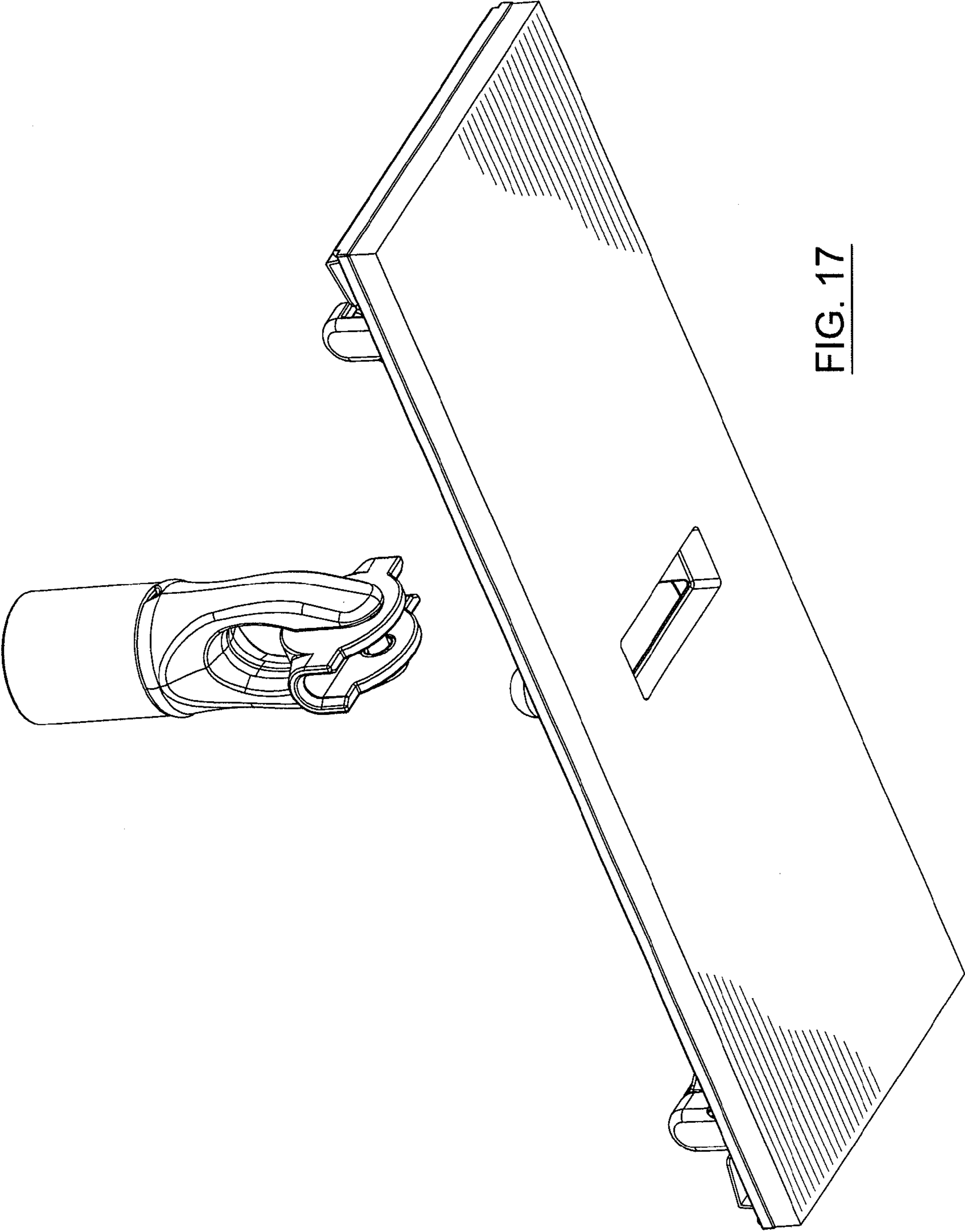


FIG. 17