



US00D652282S

(12) **United States Design Patent**
Yasher et al.

(10) **Patent No.:** **US D652,282 S**

(45) **Date of Patent:** **** Jan. 17, 2012**

(54) **ANCHOR TOOL**

(75) Inventors: **Gregg Yasher**, Independence, OH (US);
Greg Claycomb, Avon Lake, OH (US)

(73) Assignee: **Laser Perfect Products Company, Inc.**,
North Ridgeville, OH (US)

(**) Term: **14 Years**

(21) Appl. No.: **29/376,208**

(22) Filed: **Oct. 4, 2010**

(51) **LOC (9) Cl.** **08-05**

(52) **U.S. Cl.** **D8/88; D8/14**

(58) **Field of Classification Search** D8/14,
D8/16, 19, 31, 33, 40-41, 88-89, 499; D32/46,
D32/49; 29/267; 140/123; 254/131
See application file for complete search history.

(56) **References Cited**

U.S. PATENT DOCUMENTS

1,740,158	A	*	12/1929	Dinklage	29/267
3,080,593	A	*	3/1963	Wilson	15/105
D240,497	S	*	7/1976	Riba	D8/18
D246,283	S	*	11/1977	Sapowith	D8/14
4,768,271	A	*	9/1988	Jacob et al.	29/267
D348,594	S	*	7/1994	Clark et al.	D8/40
D382,453	S	*	8/1997	Drinkwater	D8/40
D383,952	S	*	9/1997	Williams	D8/31
D422,766	S	*	4/2000	Whitman	D32/46

D476,540	S	*	7/2003	Kelleghan	D8/38
D479,970	S	*	9/2003	Hutchinson	D8/88
D538,117	S	*	3/2007	Lin	D8/18
D596,011	S	*	7/2009	Almayda	D8/105

* cited by examiner

Primary Examiner — Philip S Hyder

Assistant Examiner — Roselynn Cody

(74) *Attorney, Agent, or Firm* — Fay Sharpe LLP; James E. Scarbrough

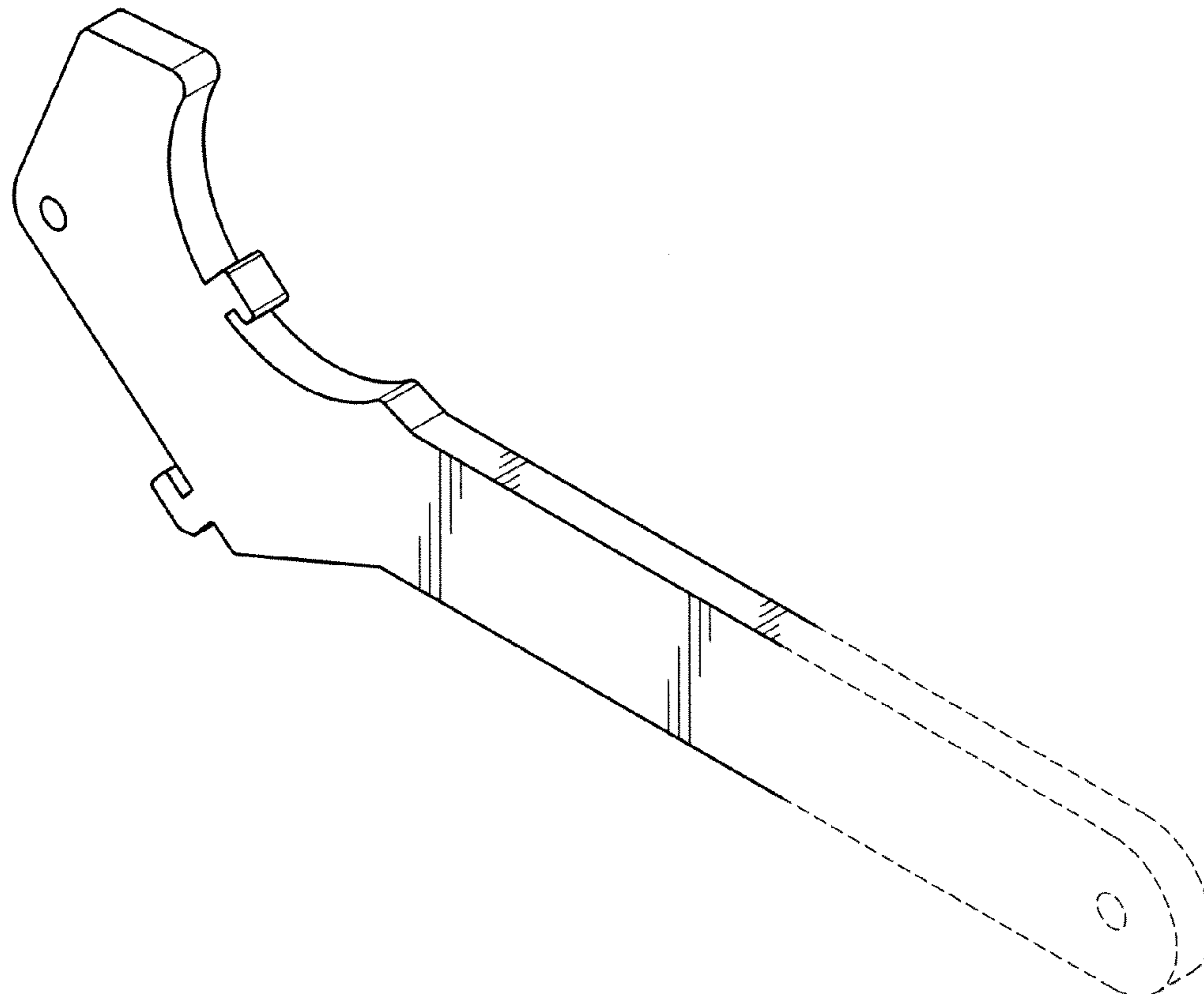
(57) **CLAIM**

The ornamental design for an anchor tool, as shown and described.

DESCRIPTION

FIG. 1 is a perspective view of an anchor tool in accordance with a first embodiment;
FIG. 2 is a perspective view of an anchor tool in accordance with a second embodiment;
FIG. 3 is a top plan view of the tool of FIG. 1, the bottom plan view being a mirror image thereof;
FIG. 4 is a right side elevational view of the tool of FIG. 3;
FIG. 5 is a left side elevational view of the tool of FIG. 3;
FIG. 6 is a front elevational view of the tool of FIG. 3; and,
FIG. 7 is a rear elevational view of the tool of FIG. 3.
The dashed lines in the figures represent subject matter that forms no part of the claimed design.

1 Claim, 3 Drawing Sheets



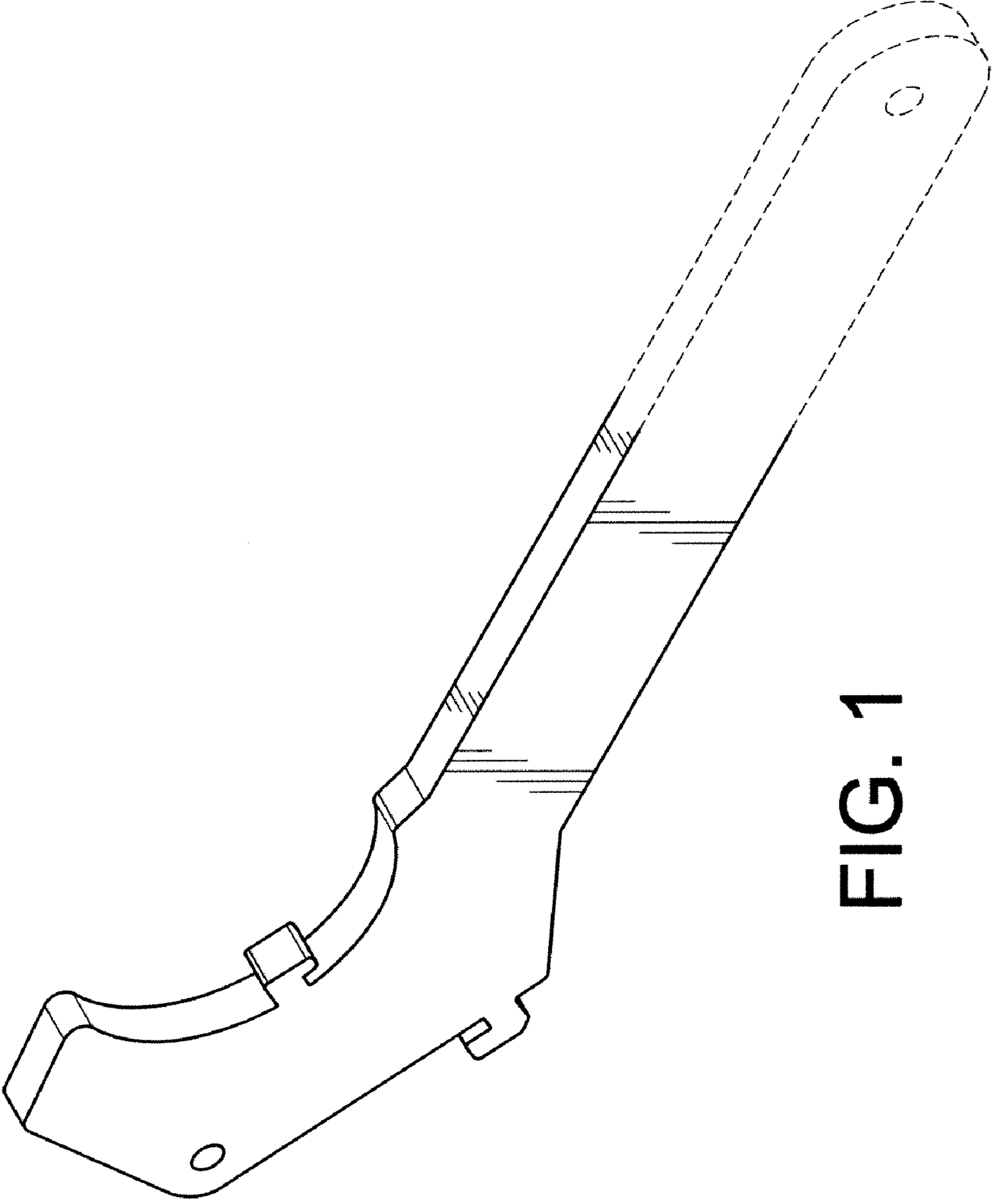


FIG. 1

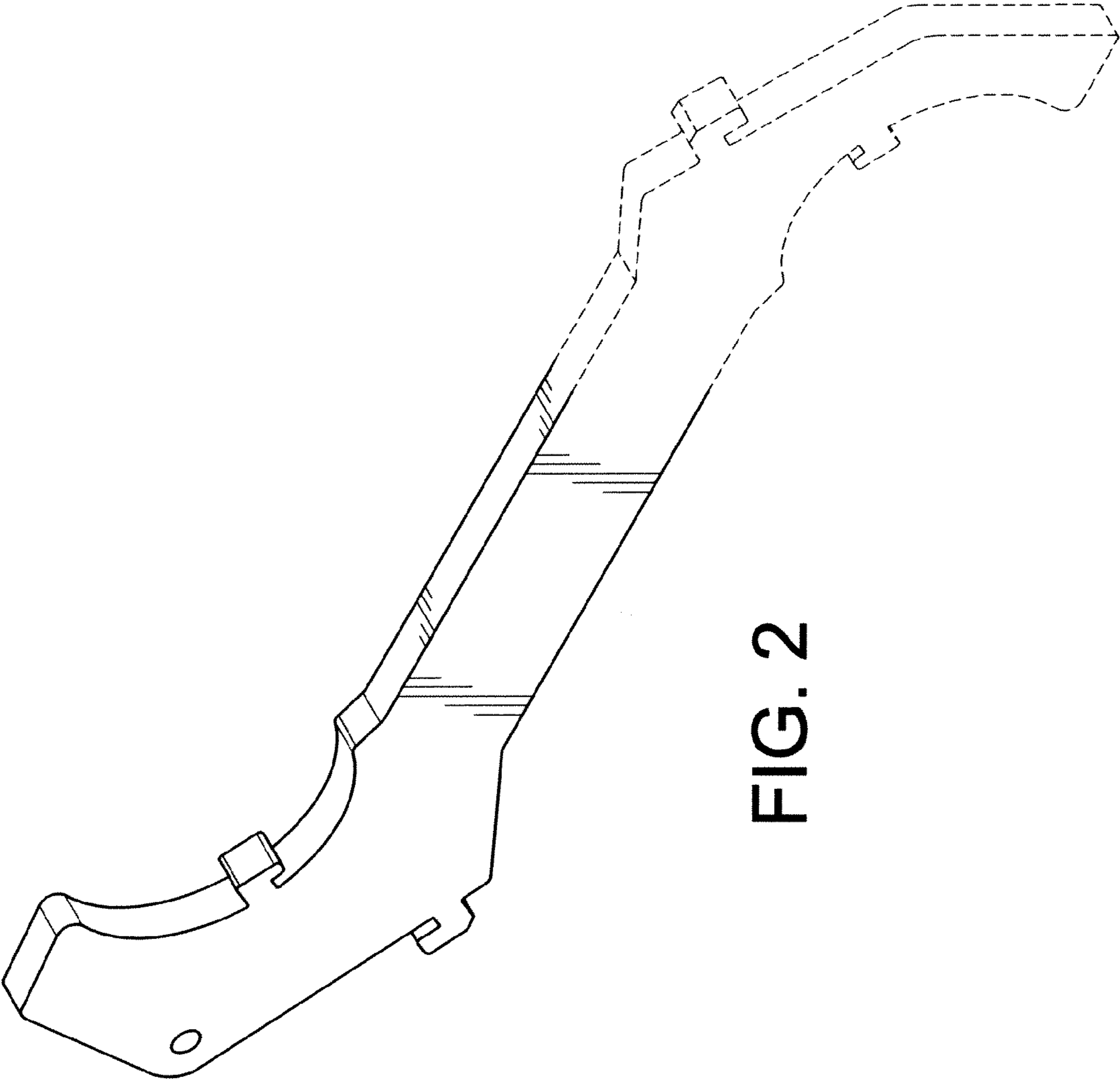


FIG. 2



FIG. 6



FIG. 5

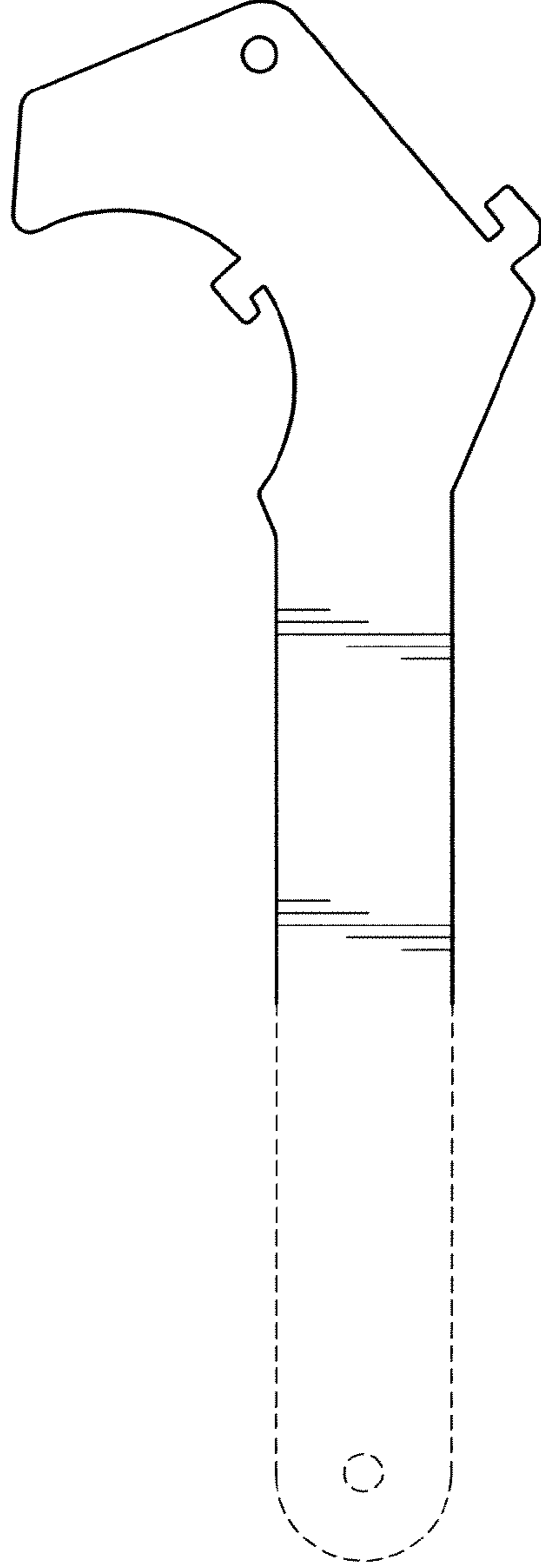


FIG. 3

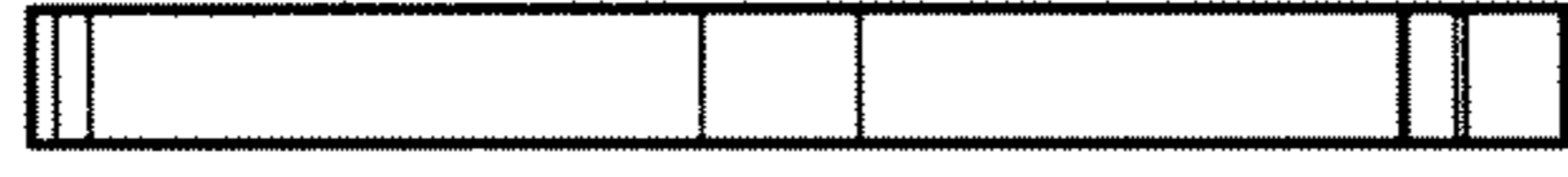


FIG. 4



FIG. 7