



US00D652280S

(12) **United States Design Patent**
Huang

(10) **Patent No.:** **US D652,280 S**
(45) **Date of Patent:** **** Jan. 17, 2012**

(54) **HOLDER FOR HAND TOOLS**

(76) Inventor: **Chia-Ling Huang**, Taichung (TW)

(**) Term: **14 Years**

(21) Appl. No.: **29/370,800**

(22) Filed: **Sep. 7, 2010**

(51) **LOC (9) Cl.** **08-05**

(52) **U.S. Cl.** **D8/71**

(58) **Field of Classification Search** D8/71;
206/372, 373, 376, 443, 564; 211/70.6
See application file for complete search history.

(56) **References Cited**

U.S. PATENT DOCUMENTS

D172,424 S *	6/1954	Kasoy	D10/64
D208,376 S *	8/1967	De Caccia	D15/140
D212,644 S *	11/1968	Nesteriak	D15/140
D297,111 S *	8/1988	Thompson et al.	D8/373

D314,699 S *	2/1991	Tamosaitis et al.	D8/71
D342,432 S *	12/1993	Sadoway	D8/71
6,039,178 A *	3/2000	Ernst	206/376

* cited by examiner

Primary Examiner — Antoine D Davis

(74) *Attorney, Agent, or Firm* — Charles E. Baxley

(57) **CLAIM**

The ornamental design for a holder for hand tools, as shown and described.

DESCRIPTION

FIG. 1 is a perspective view of a holder for hand tools showing our new design thereof;

FIG. 2 is a front elevational view thereof;

FIG. 3 is a rear elevational view thereof;

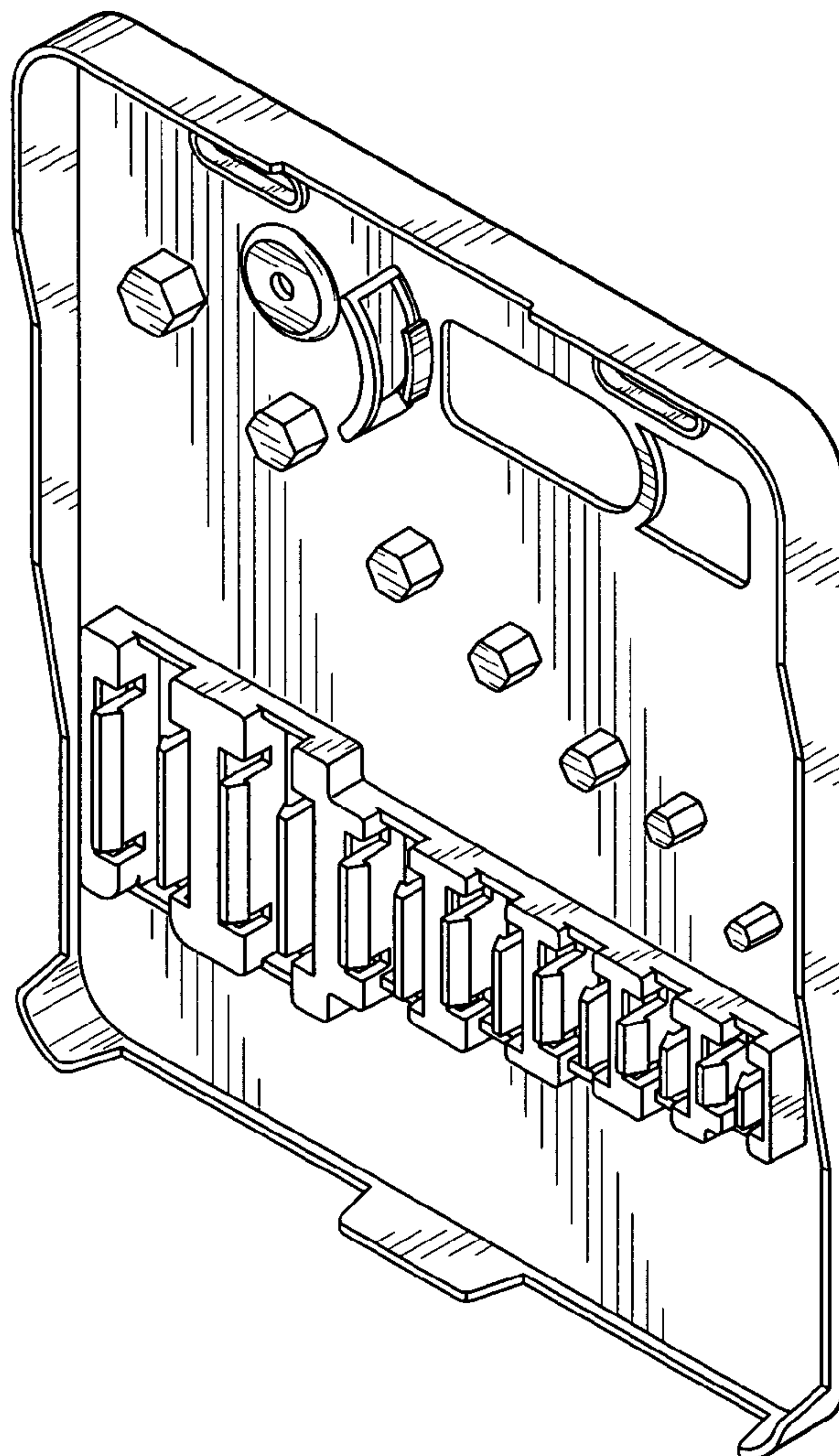
FIG. 4 is a left side elevational view thereof;

FIG. 5 is a right side elevational view thereof;

FIG. 6 is a top plan view thereof; and,

FIG. 7 is a bottom plan view thereof.

1 Claim, 5 Drawing Sheets



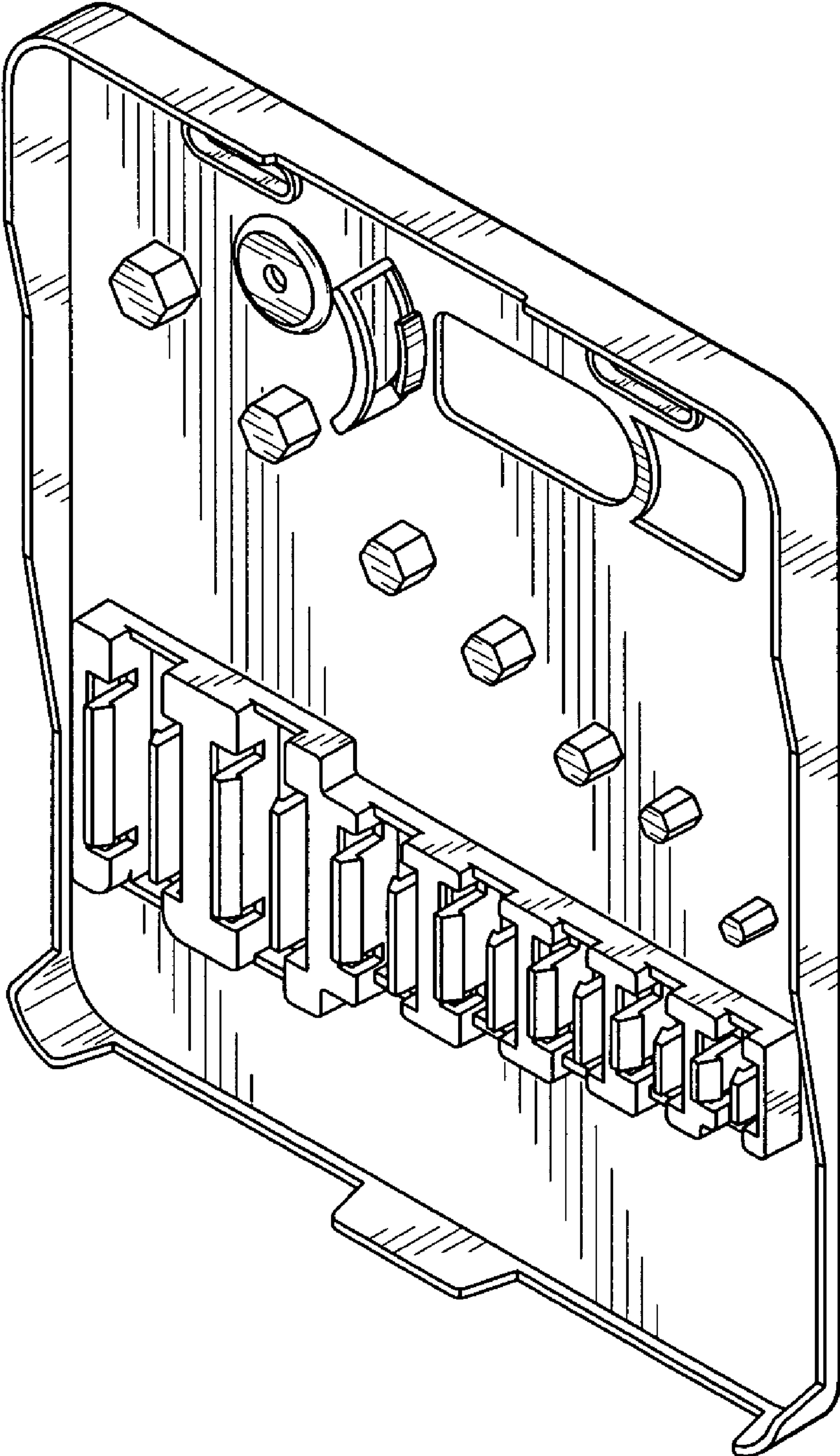


FIG. 1

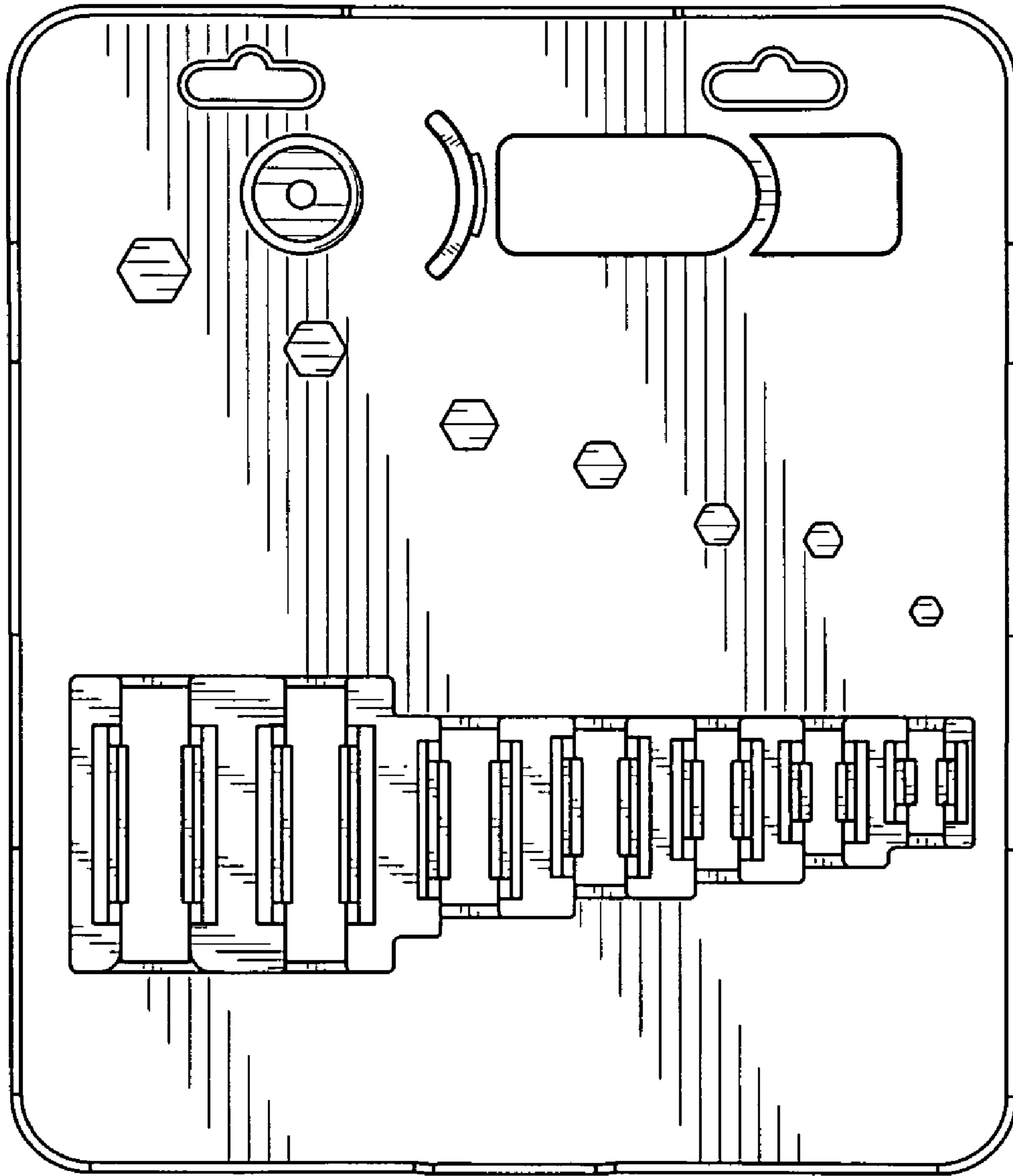


FIG. 2

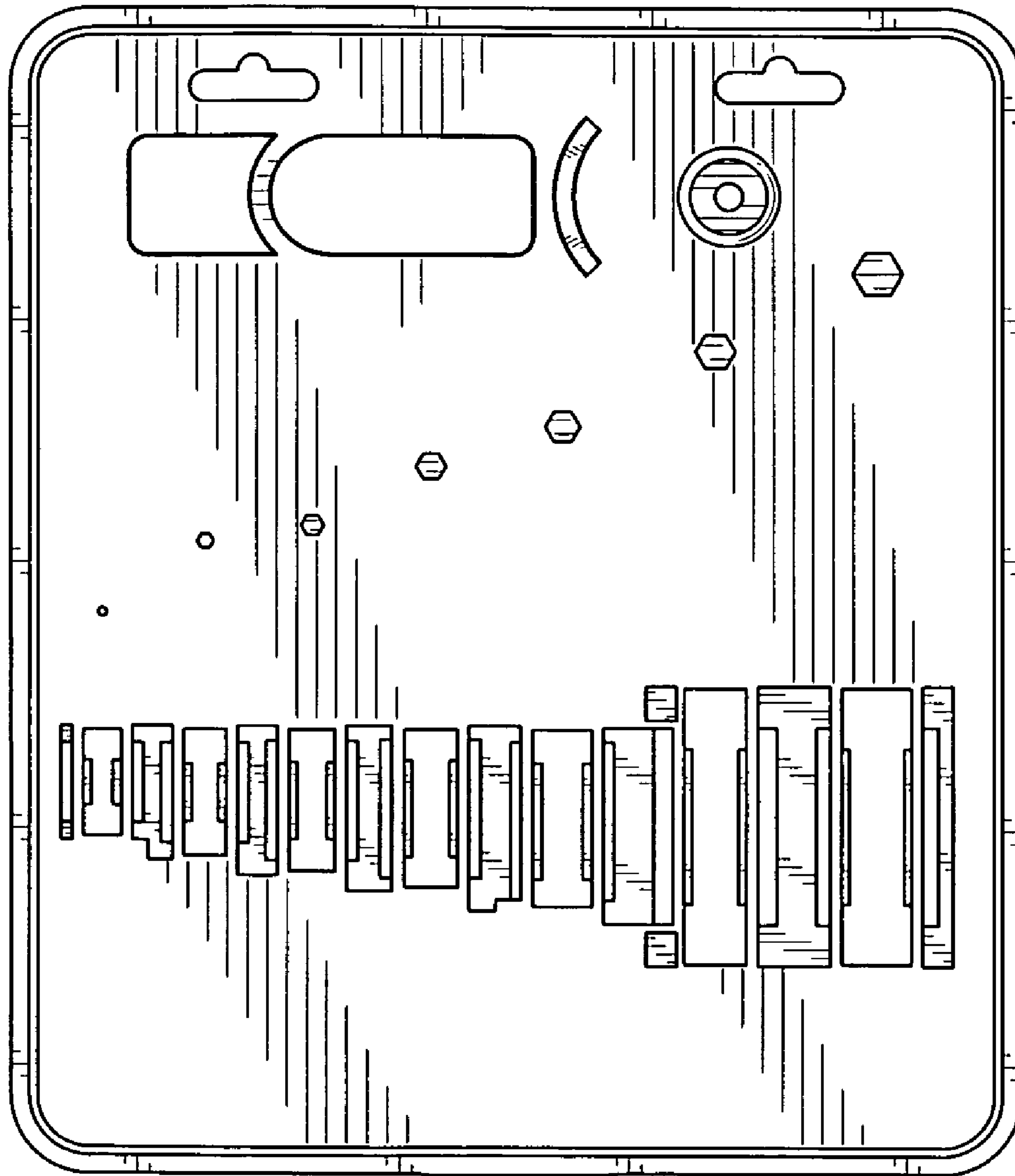


FIG. 3

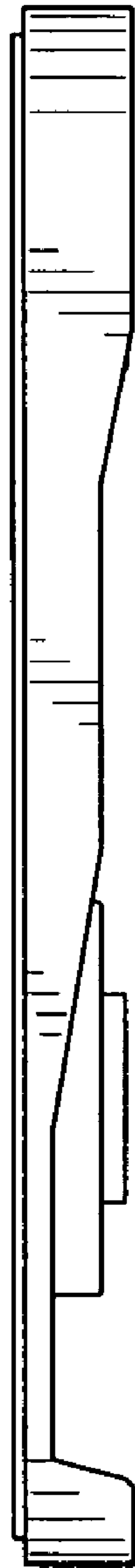


FIG. 4

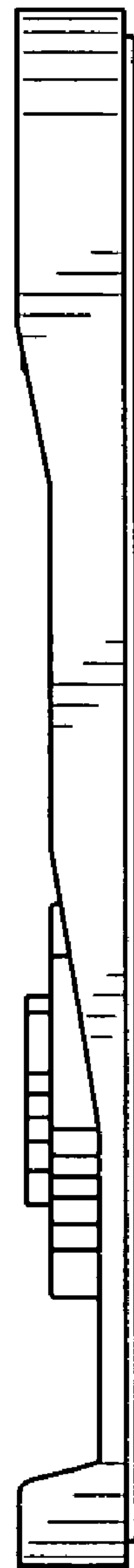


FIG. 5



FIG. 6



FIG. 7