



US00D652276S

(12) **United States Design Patent**
Good

(10) **Patent No.:** **US D652,276 S**

(45) **Date of Patent:** **** Jan. 17, 2012**

(54) **TOOL GRIP**

(75) Inventor: **Mark Good**, Cary, IL (US)

(73) Assignee: **Sears Brands, LLC**, Hoffman Estates, IL (US)

(**) Term: **14 Years**

(21) Appl. No.: **29/366,592**

(22) Filed: **Jul. 27, 2010**

(51) **LOC (9) Cl.** **08-05**

(52) **U.S. Cl.** **D8/52**

(58) **Field of Classification Search** D8/99,
D8/98, 93, 63, 61, 58, 57, 56, 55, 53, 5, 107,
D8/104, 105, 52, 60; D24/148, 149; D21/532;
7/135; 606/45, 46, 48, 174; 30/349, 260,
30/123

See application file for complete search history.

D461,108 S *	8/2002	Herzog et al.	D8/52
D494,040 S *	8/2004	Phillips	D8/107
D494,439 S *	8/2004	Levine et al.	D8/107
D520,845 S *	5/2006	Wlaker	D8/107
D521,348 S *	5/2006	Walker	D8/107
D532,267 S *	11/2006	Chen	D8/52
D532,662 S *	11/2006	Chang	D8/52
D534,412 S *	1/2007	Steiner	D8/107
D543,429 S *	5/2007	Norin	D8/52
D544,323 S *	6/2007	Hutchfield	D8/52
D544,770 S *	6/2007	Yang	D8/52
D600,092 S *	9/2009	Peterson et al.	D8/107
D608,616 S *	1/2010	Demers et al.	D8/107
D639,627 S *	6/2011	Seeds et al.	D8/52

* cited by examiner

Primary Examiner — Austin Murphy

(74) *Attorney, Agent, or Firm* — Greenberg Traurig, LLP

(57) **CLAIM**

What is claimed is the ornamental design for a tool grip, as shown and described.

(56) **References Cited**

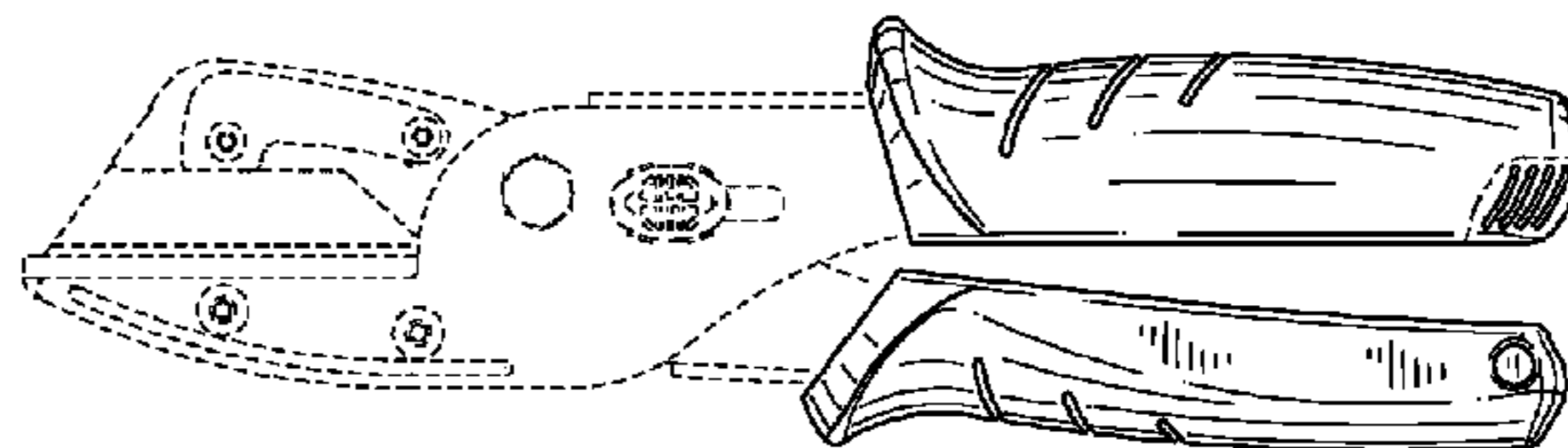
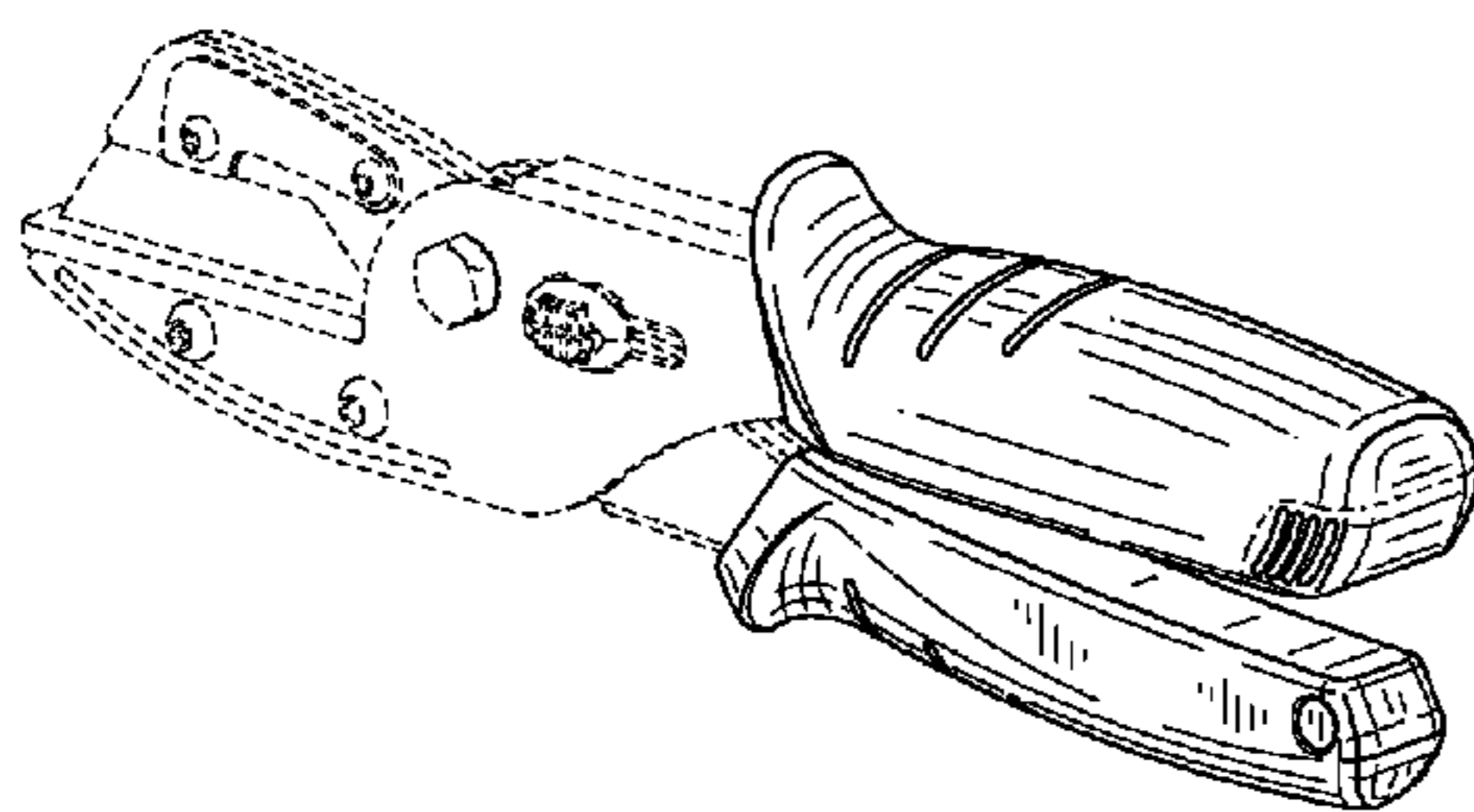
U.S. PATENT DOCUMENTS

D245,752 S *	9/1977	Wiener	D8/52
D256,767 S *	9/1980	Irelan	D8/1
D299,108 S *	12/1988	Brdnik	D8/107
D309,409 S *	7/1990	Kiernan	D8/4
D383,047 S *	9/1997	Scherer et al.	D8/107
D395,217 S *	6/1998	Start	D8/52
D396,107 S *	7/1998	Utas et al.	D24/143
D424,391 S *	5/2000	Lamond et al.	D8/52
D424,899 S *	5/2000	Jaime	D8/52
D427,036 S *	6/2000	Ronan	D8/52
D428,785 S *	8/2000	Jimenez et al.	D8/52
D455,329 S *	4/2002	Renner	D8/98

DESCRIPTION

FIG. 1 is a perspective view of a tool grip;
FIG. 2 is a first side view of the tool grip;
FIG. 3 is a second side view of the tool grip;
FIG. 4 is a top view of the tool grip;
FIG. 5 is a bottom view of the tool grip;
FIG. 6 is a first end-view of the tool grip; and,
FIG. 7 is a second end-view of the tool grip.
The dotted lines are provided for illustrative purposes only and form no part of the design claimed.

1 Claim, 3 Drawing Sheets



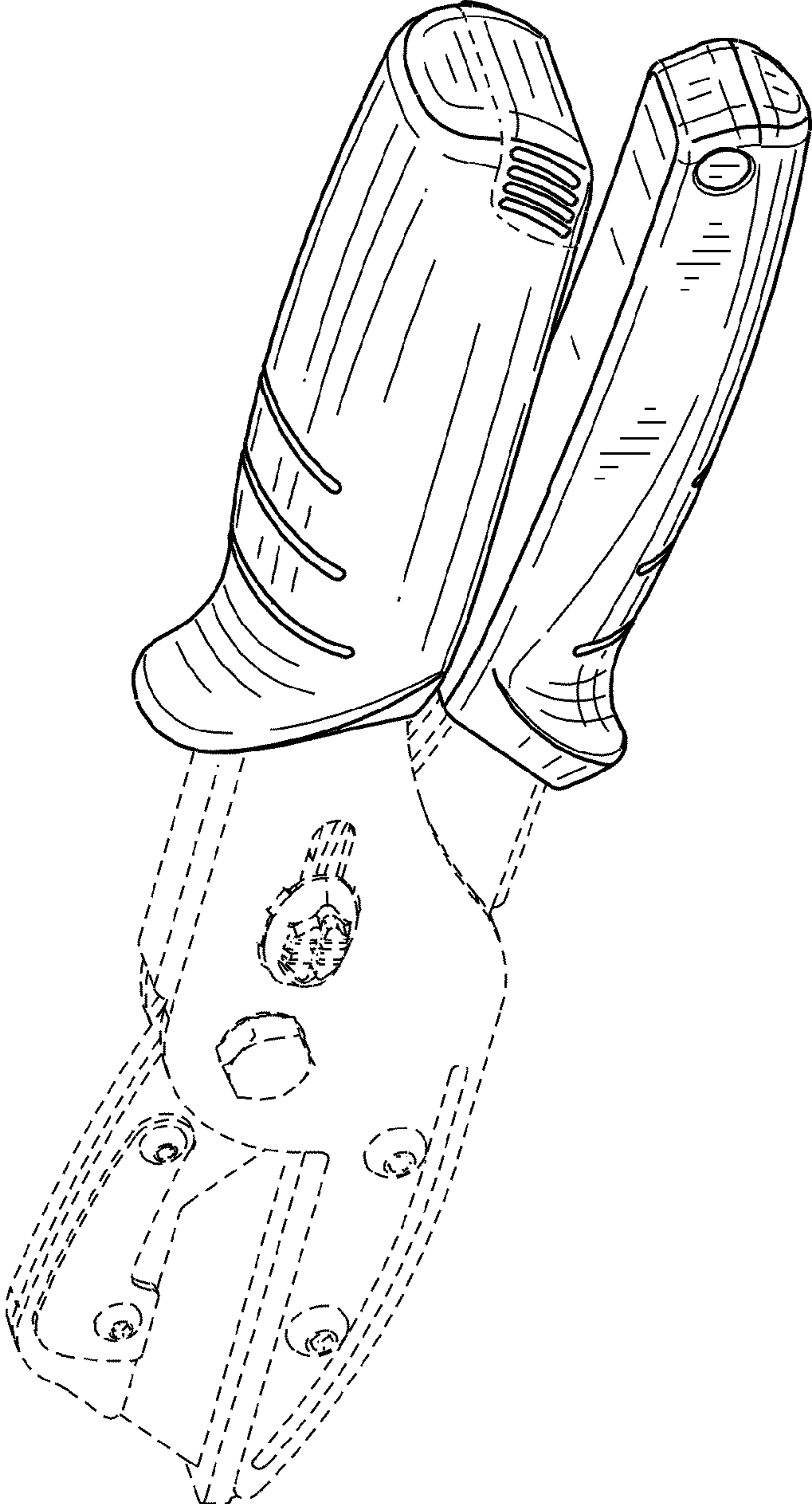


FIG. 1

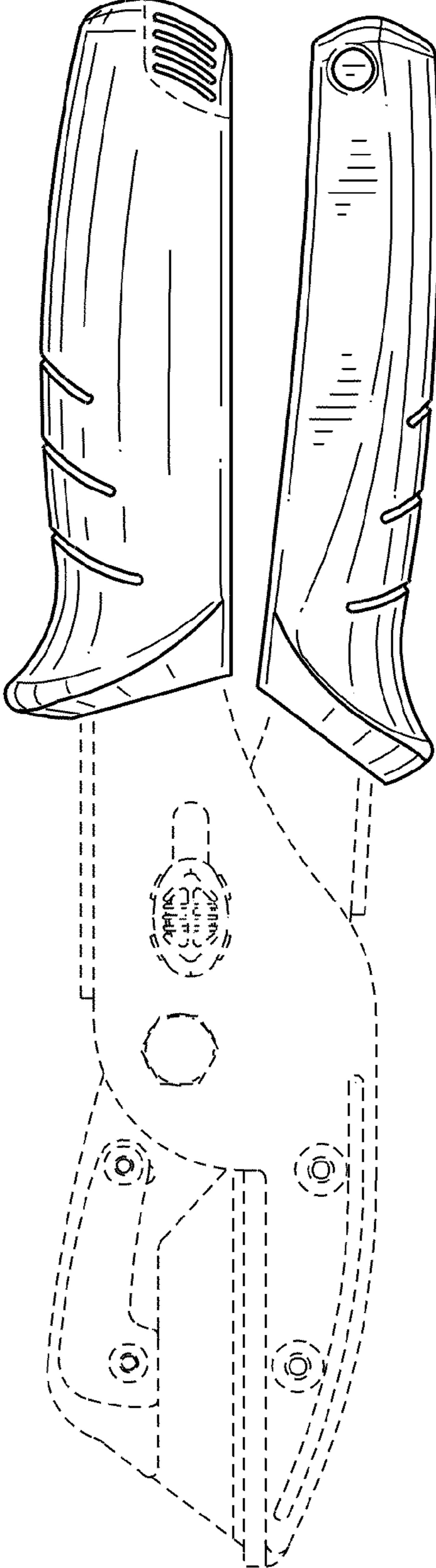


FIG. 2

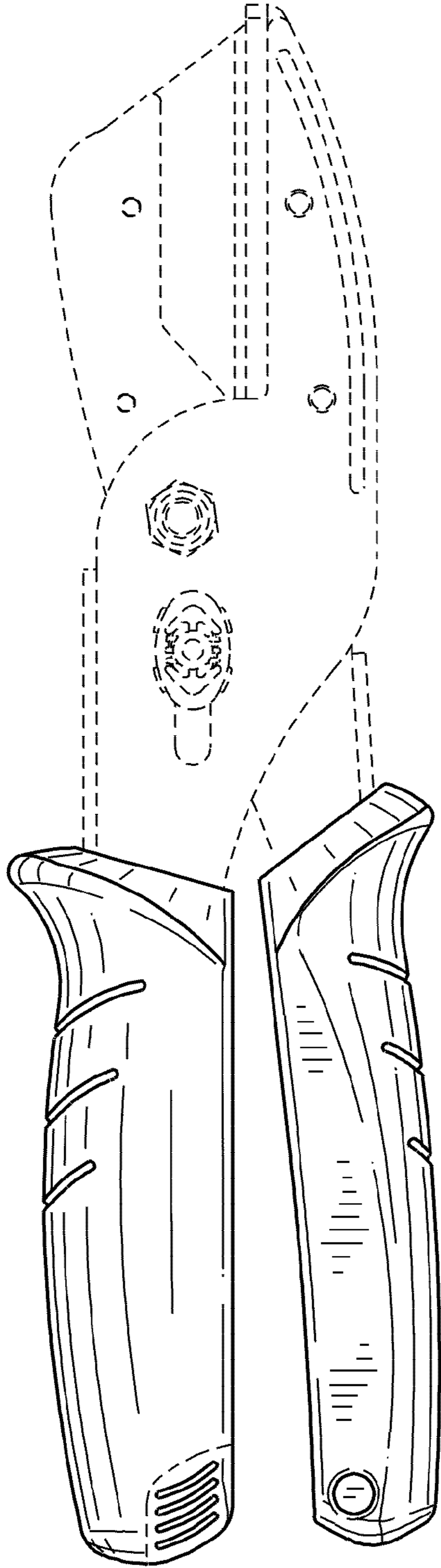


FIG. 3

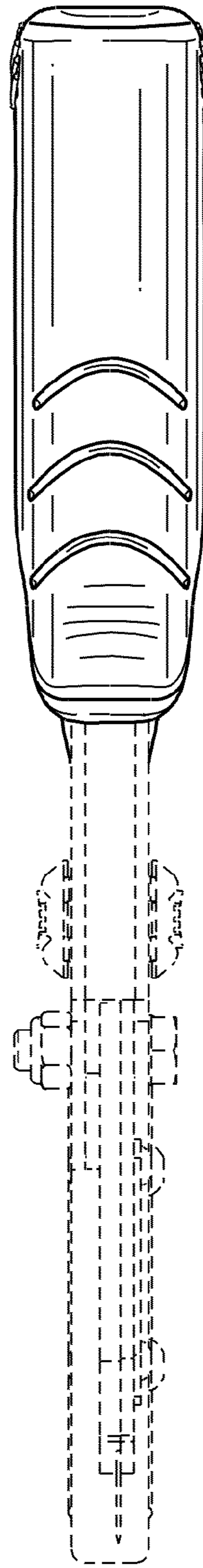


FIG. 4

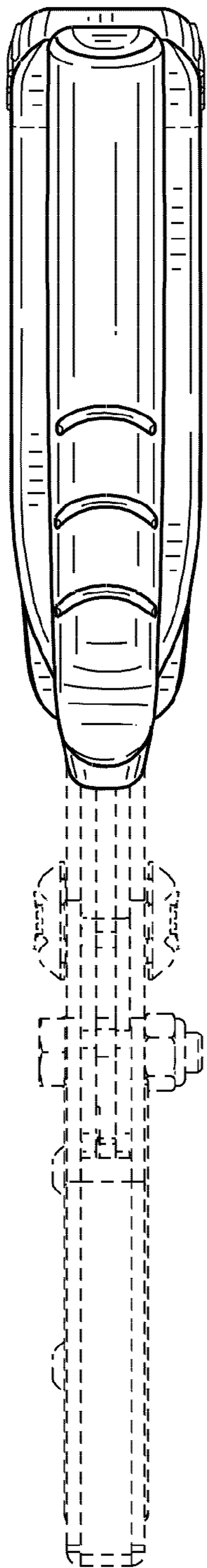


FIG. 5

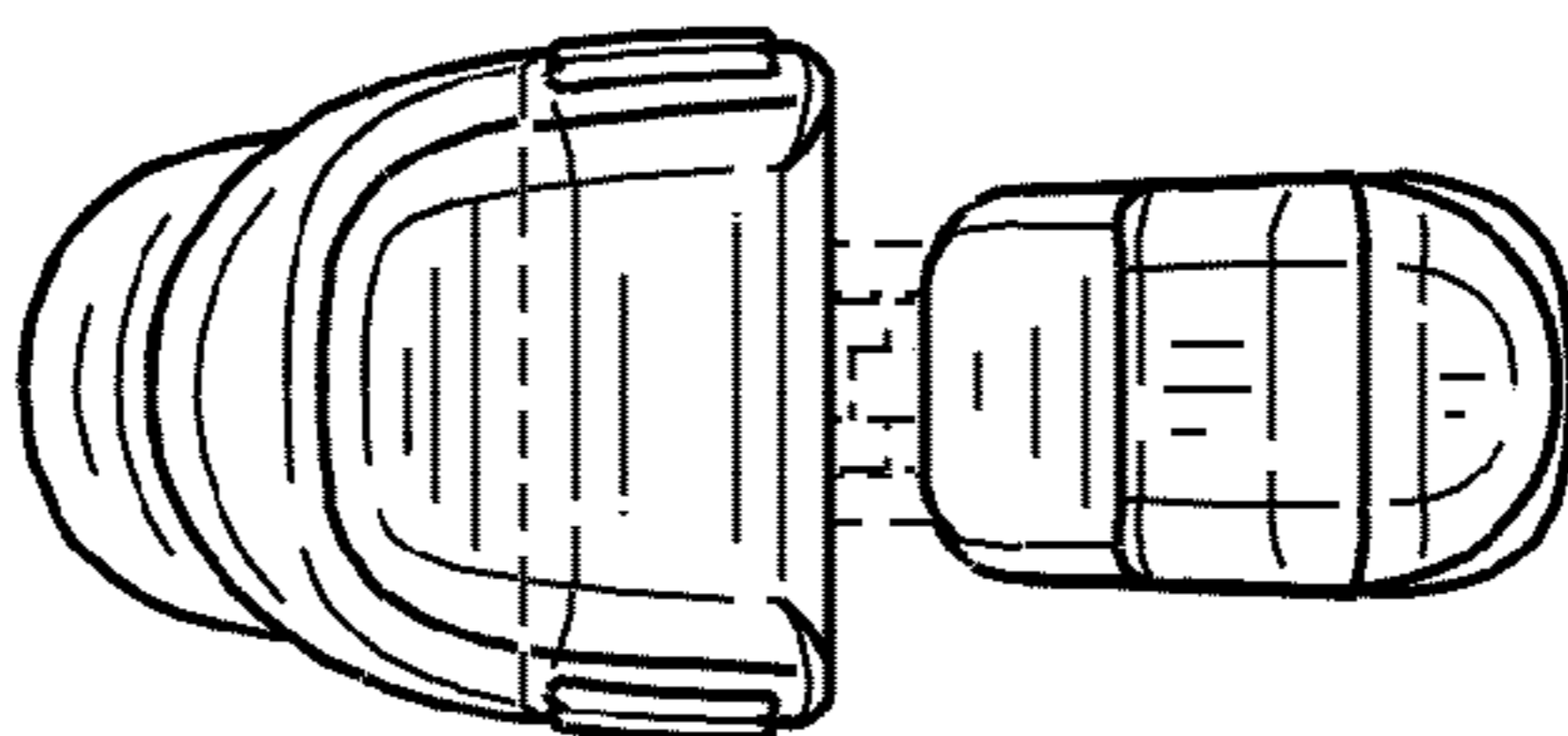


FIG. 6

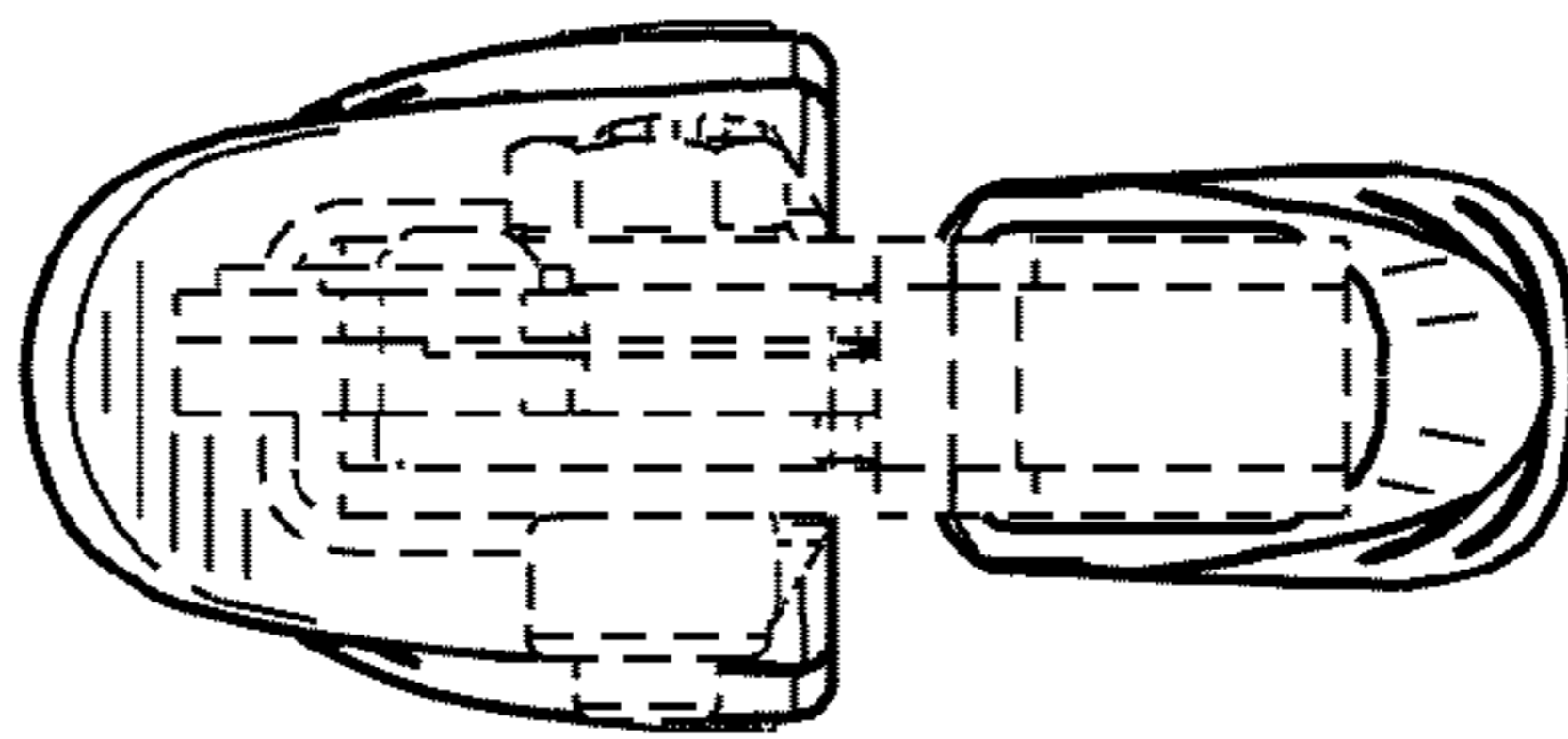


FIG. 7