



US00D652275S

(12) **United States Design Patent**
Wegener et al.

(10) **Patent No.:** **US D652,275 S**
(45) **Date of Patent:** **** Jan. 17, 2012**

(54) **BOTTLE OPENER RING**

(76) Inventors: **Mark Peter Wegener**, Sacramento, CA (US); **Wendi Lee Wegener**, Sacramento, CA (US); **Amy Jennifer Guthrie**, Sacramento, CA (US)

(**) Term: **14 Years**

(21) Appl. No.: **29/388,868**

(22) Filed: **Apr. 4, 2011**

Related U.S. Application Data

(62) Division of application No. 29/355,391, filed on Feb. 5, 2010, now Pat. No. Des. 635,422.

(51) **LOC (9) Cl.** **07-99**

(52) **U.S. Cl.** **D8/34; D11/26**

(58) **Field of Classification Search** D8/14, D8/16-19, 33-43, 88, 89, 105; D11/3, 4, D11/26-39, 89-92; 7/113, 151-156; 30/400-410, 30/416-430, 433, 434, 443, 450; 81/3.07, 81/3.09, 3.2, 3.27, 3.29, 3.31, 3.35, 3.37, 81/3.4, 3.45, 3.48, 3.49, 3.55
See application file for complete search history.

(56) **References Cited**

U.S. PATENT DOCUMENTS

888,580	A *	5/1908	Brinn	81/3.41
D292,499	S *	10/1987	Eddy	D11/2
4,825,728	A *	5/1989	Mitchell	81/3.09
5,029,495	A *	7/1991	Rosenberger	81/3.09
D337,708	S *	7/1993	Morris, Jr.	D8/34
D454,765	S *	3/2002	Jansson	D8/40
D509,456	S *	9/2005	Ricci et al.	D11/26
D523,711	S *	6/2006	Ryan et al.	D8/34
7,143,666	B1 *	12/2006	Gutierrez	81/3.55
D635,421	S *	4/2011	Wegener et al.	D8/34

D635,422	S *	4/2011	Wegener et al.	D8/34
2002/0189406	A1 *	12/2002	Hahn	81/3.55
2010/0212458	A1 *	8/2010	Wegener et al.	81/3.09

* cited by examiner

Primary Examiner — Garth Rademaker

(74) *Attorney, Agent, or Firm* — John P. O'Banion

(57) **CLAIM**

The ornamental design for a bottle opener ring, as shown and described.

DESCRIPTION

A portion of the material in this patent document is subject to copyright protection under the copyright laws of the United States and of other countries. The owner of the copyright rights has no objection to the facsimile reproduction by anyone of the patent document or the patent disclosure, as it appears in the United States Patent and Trademark Office publicly available file or records, but otherwise reserves all copyright rights whatsoever. The copyright owner does not hereby waive any of its rights to have this patent document maintained in secrecy, including without limitation its rights pursuant to 37 C.F.R. §1.14.

FIG. 1 is a front, bottom, left side perspective view of a bottle opener ring, showing our new design.

FIG. 2 is a rear elevation view of the ring design shown in FIG. 1.

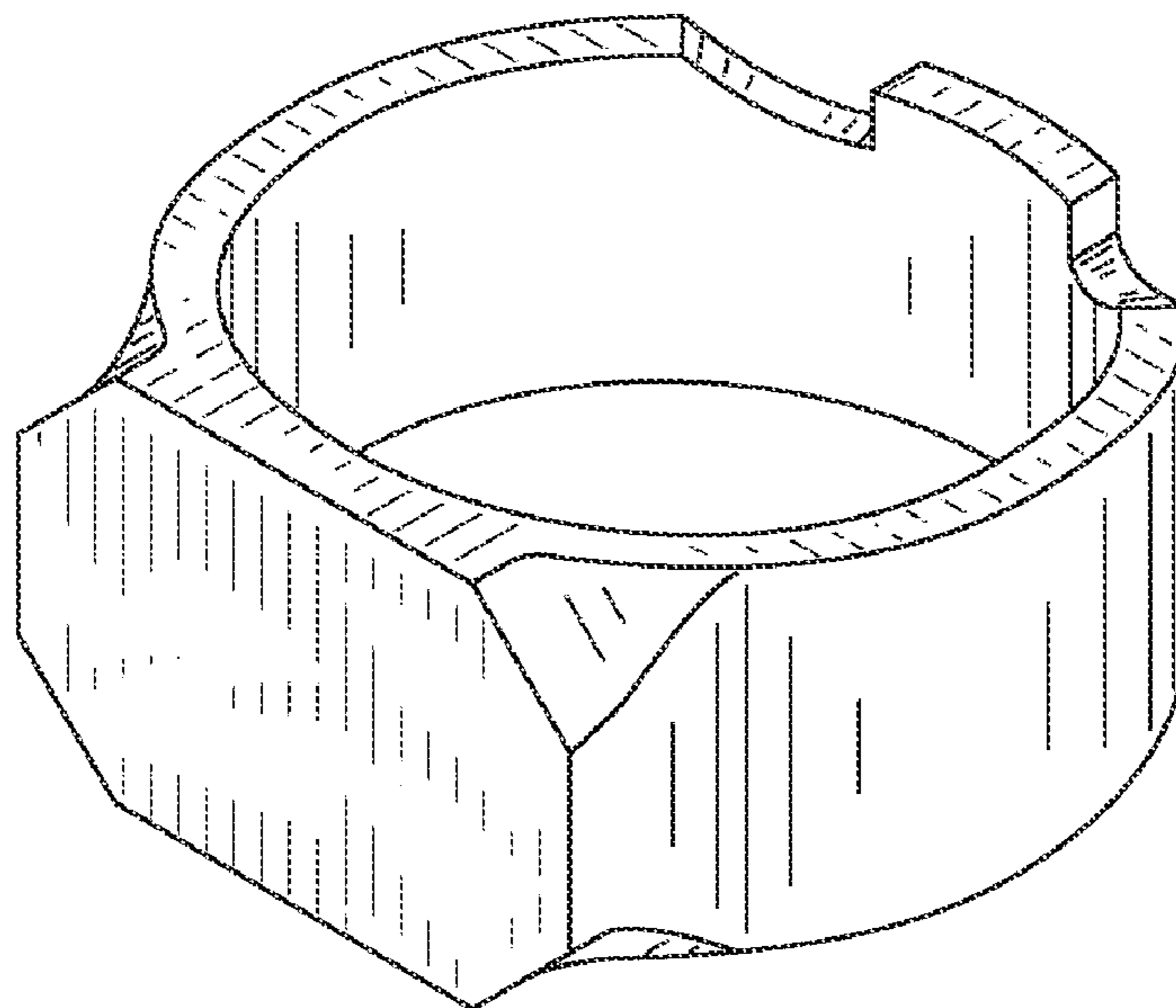
FIG. 3 is a right side elevation view of the ring design shown in FIG. 1, the left side elevation view being a mirror image thereof.

FIG. 4 is a bottom plan view of the ring design shown in FIG. 1.

FIG. 5 is a top plan view of the ring design shown in FIG. 1; and,

FIG. 6 is a front view of the face of the ring design shown in FIG. 1.

1 Claim, 2 Drawing Sheets



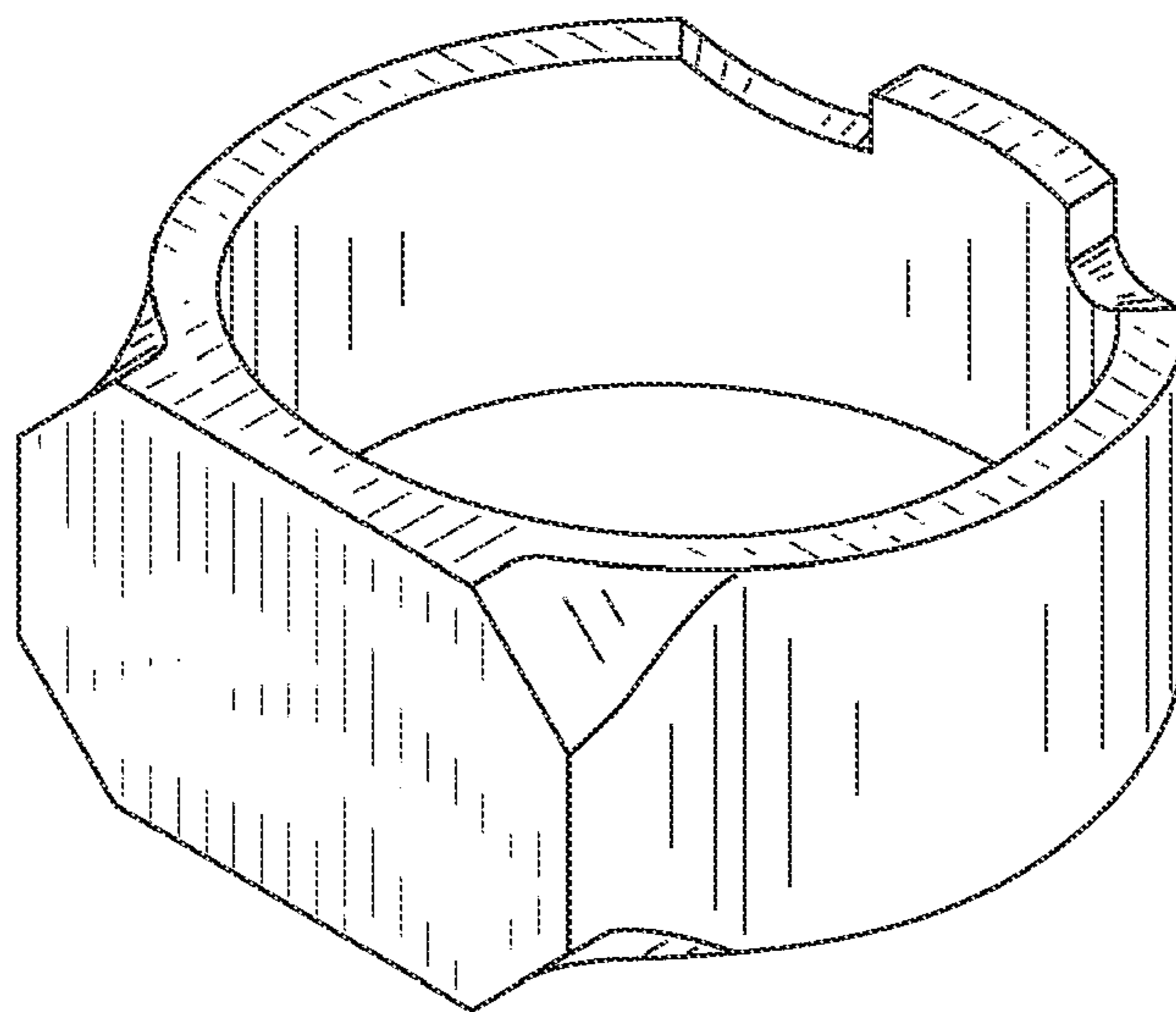


FIG. 1

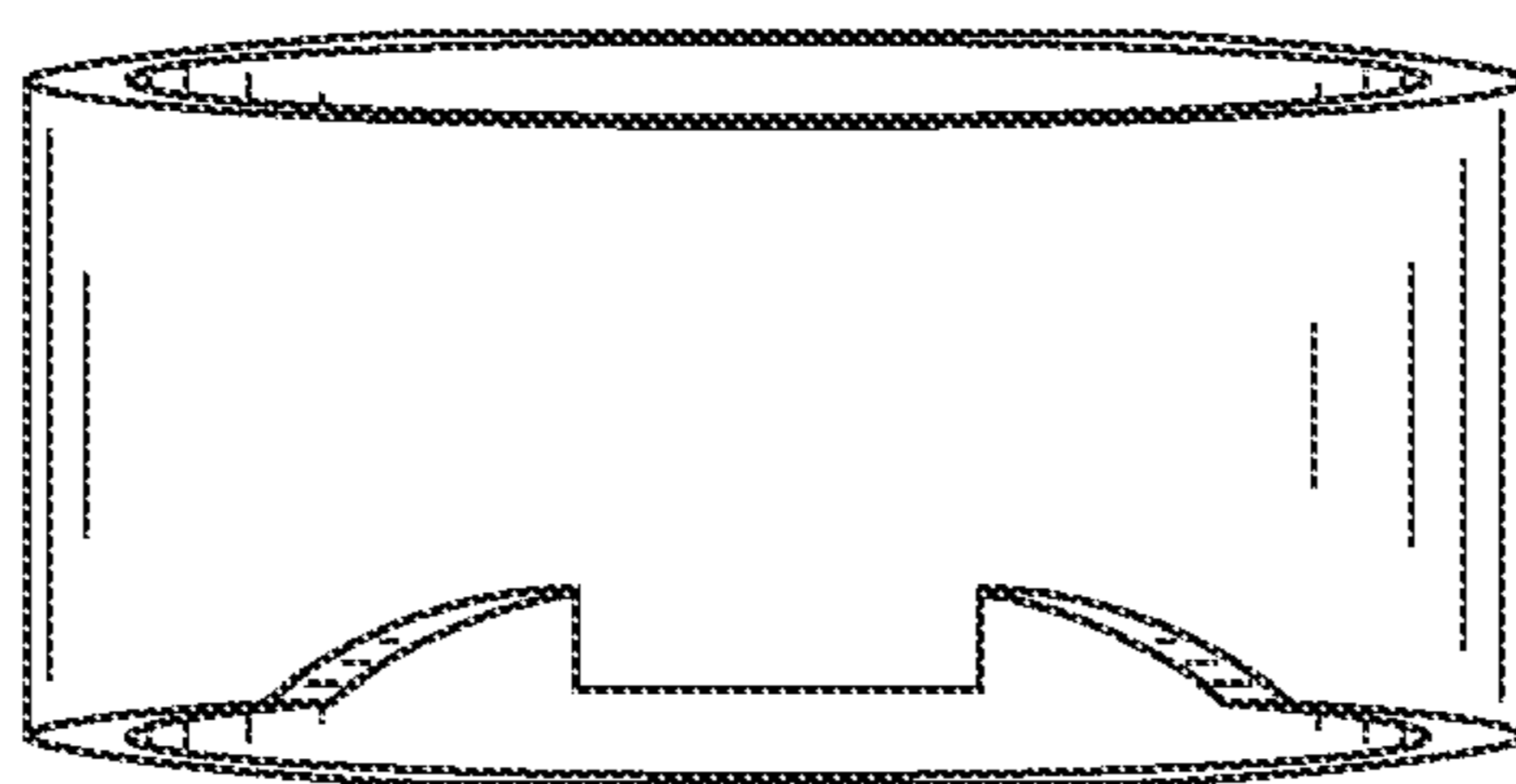


FIG. 2

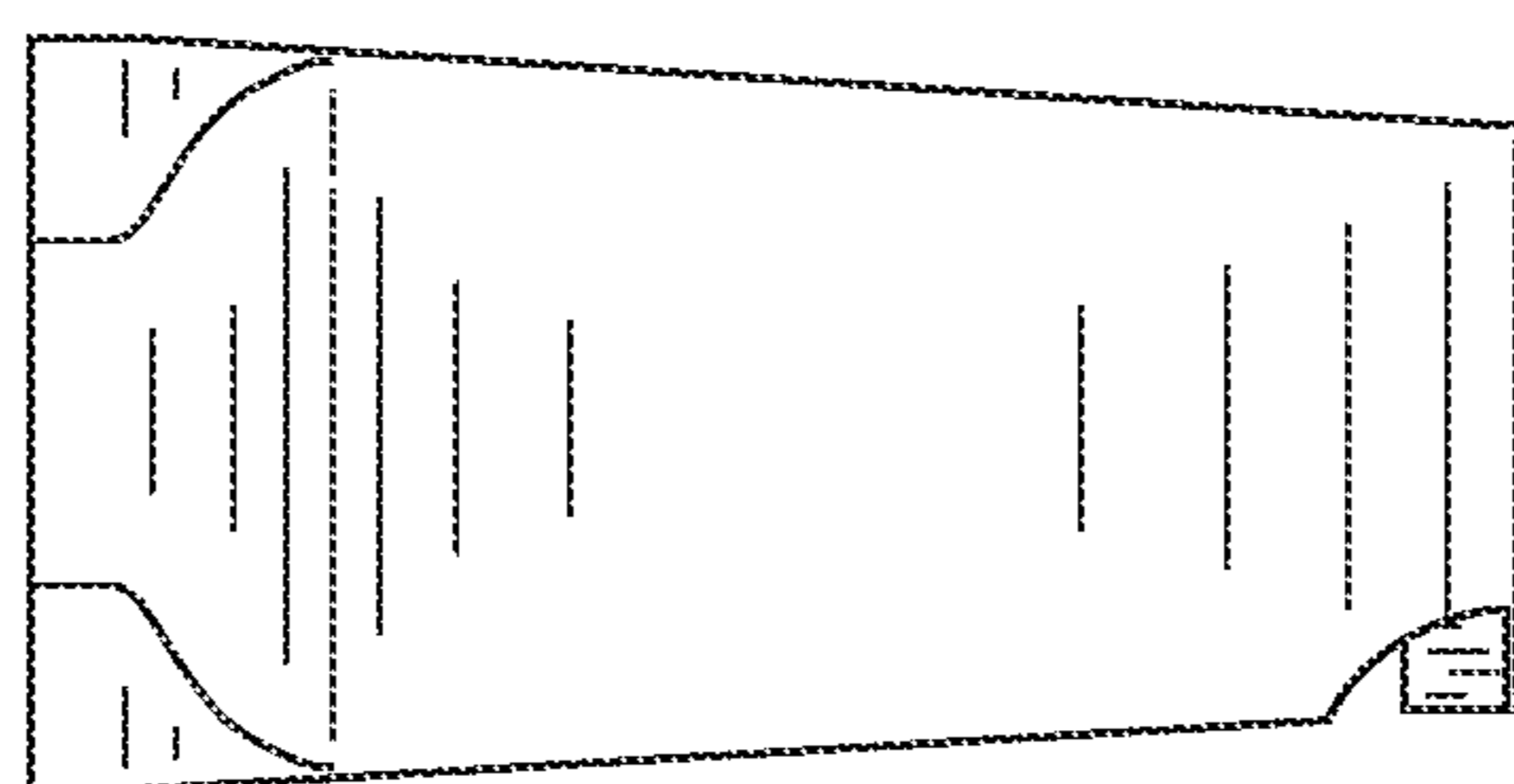


FIG. 3

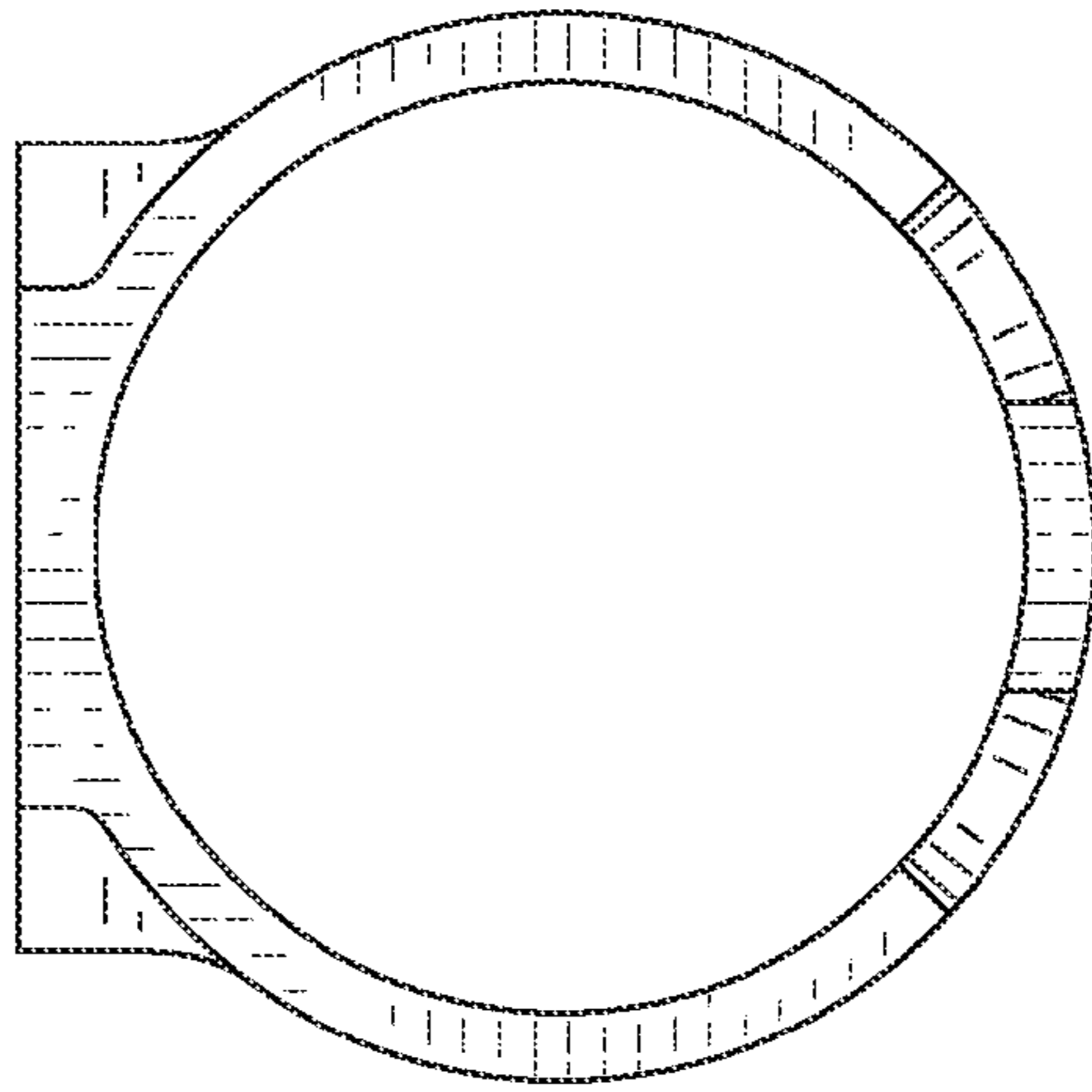


FIG. 4

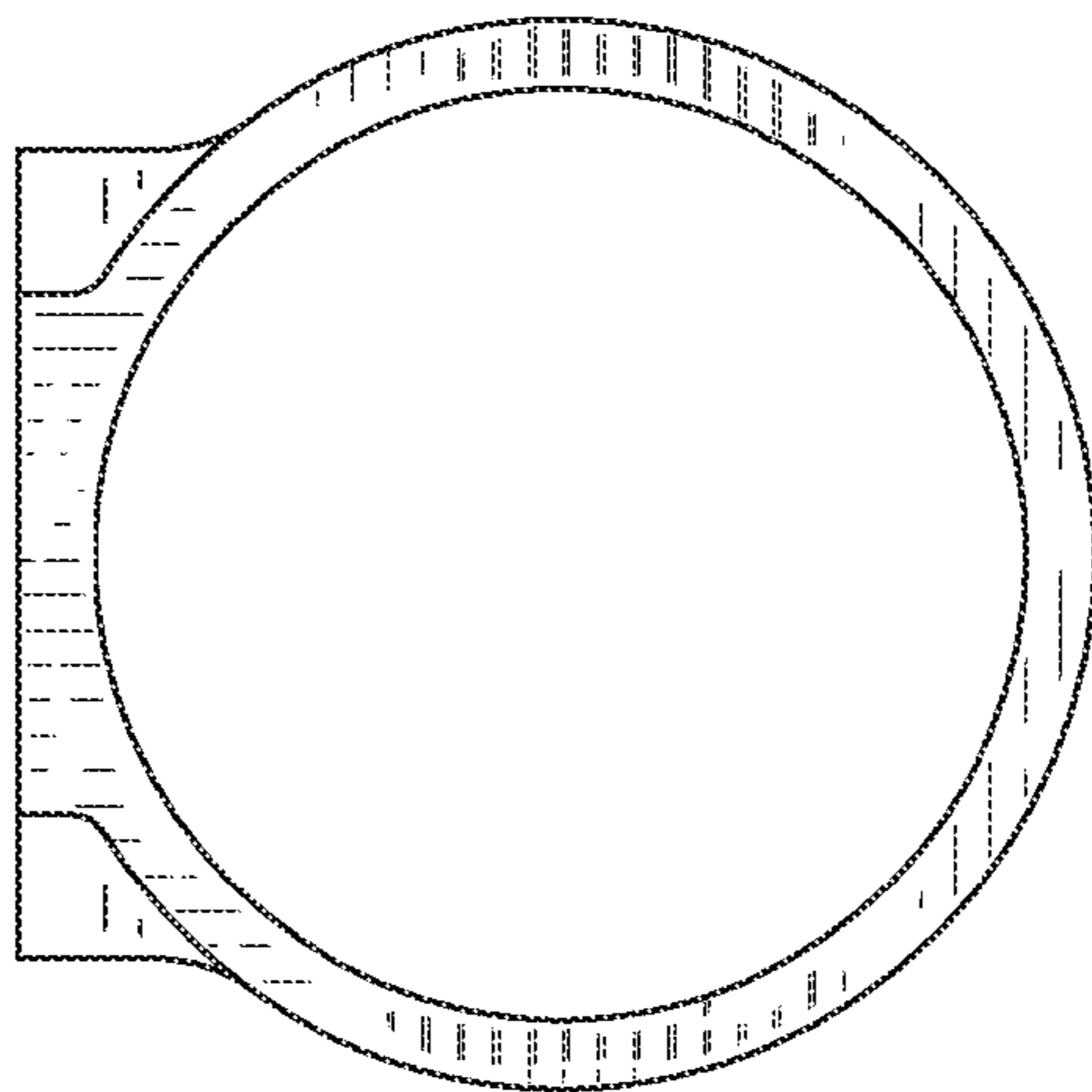


FIG. 5

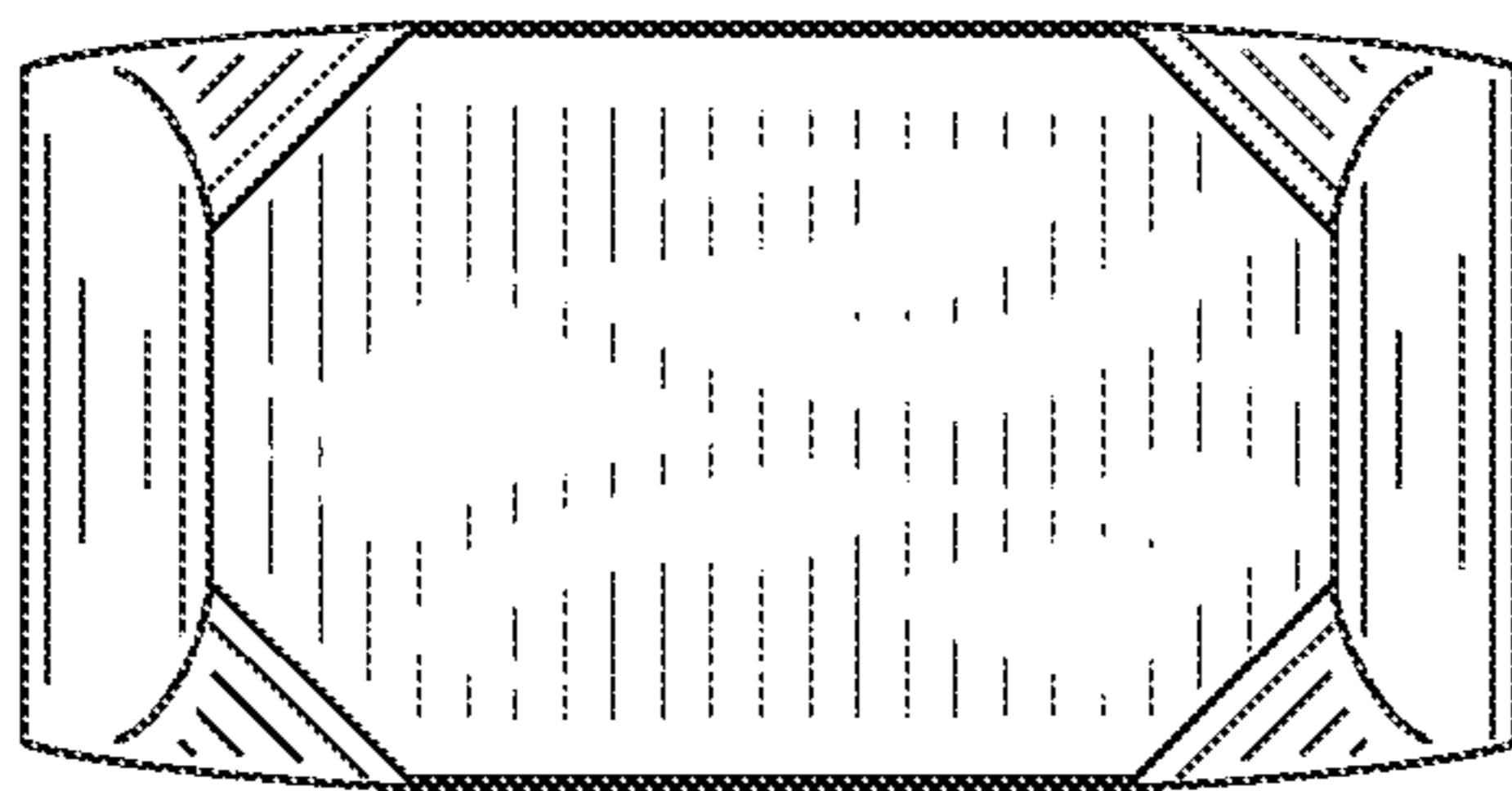


FIG. 6