



US00D652272S

(12) **United States Design Patent**
Atnip et al.

(10) **Patent No.:** **US D652,272 S**
(45) **Date of Patent:** **** Jan. 17, 2012**

(54) **PRUNER**

(75) Inventors: **Timothy Edward Atnip**, Temecula, CA (US); **Anthony Magana**, Riverside, CA (US); **James Wolf**, Waconia, MN (US); **Hyok Lee**, Corona, CA (US); **Jeff Burger**, Columbus, OH (US); **Laura Alexander**, Columbus, OH (US); **Sean Svendsen**, Columbus, OH (US)

(73) Assignee: **Corona Clipper, Inc.**, Corona, CA (US)

(**) Term: **14 Years**

(21) Appl. No.: **29/387,701**

(22) Filed: **Mar. 16, 2011**

(51) **LOC (9) Cl.** **08-05**

(52) **U.S. Cl.** **D8/5**

(58) **Field of Classification Search** D8/5, 52, D8/54, 58; 30/131, 260, 262, 193-194, 296.1, 30/134, 251-252, 254

See application file for complete search history.

(56) **References Cited**

U.S. PATENT DOCUMENTS

4,567,656 A * 2/1986 Wallace et al. 30/262
D390,430 S * 2/1998 Chai et al. D8/5

7,454,837 B2 * 11/2008 Shan 30/254
D584,121 S * 1/2009 Fancelli D8/52
D585,250 S * 1/2009 Lee et al. D8/5
D585,251 S * 1/2009 Lee et al. D8/5

* cited by examiner

Primary Examiner — Holly Baynham

Assistant Examiner — Sheryl Lane

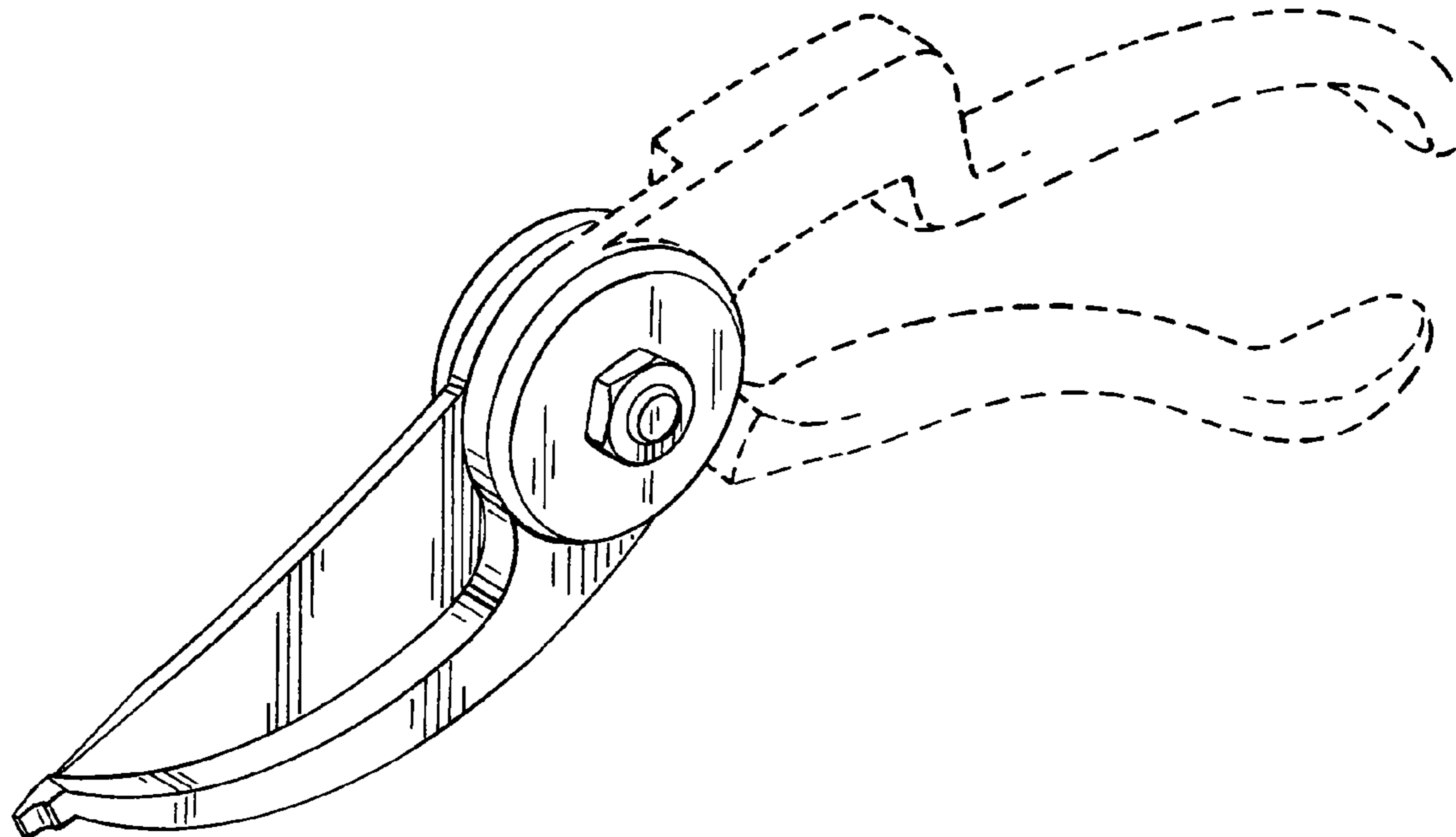
(57) **CLAIM**

The ornamental design for a pruner, as shown and described.

DESCRIPTION

FIG. 1 is a left side view of a pruner of the claimed design.
FIG. 2 is a right side view of a pruner of the claimed design
FIG. 3 is a top view of a pruner of the claimed design.
FIG. 4 is a bottom view of a pruner of the claimed design.
FIG. 5 is a front view of a pruner of the claimed design.
FIG. 6 is a back view of a pruner of the claimed design.
FIG. 7 is a left perspective of a pruner of the claimed design;
and,
FIG. 8 is a left perspective of a pruner of the claimed design.
The broken line showing of the pruner is included for the purpose of showing portions of the pruner and forms no part of the claimed design.

1 Claim, 6 Drawing Sheets



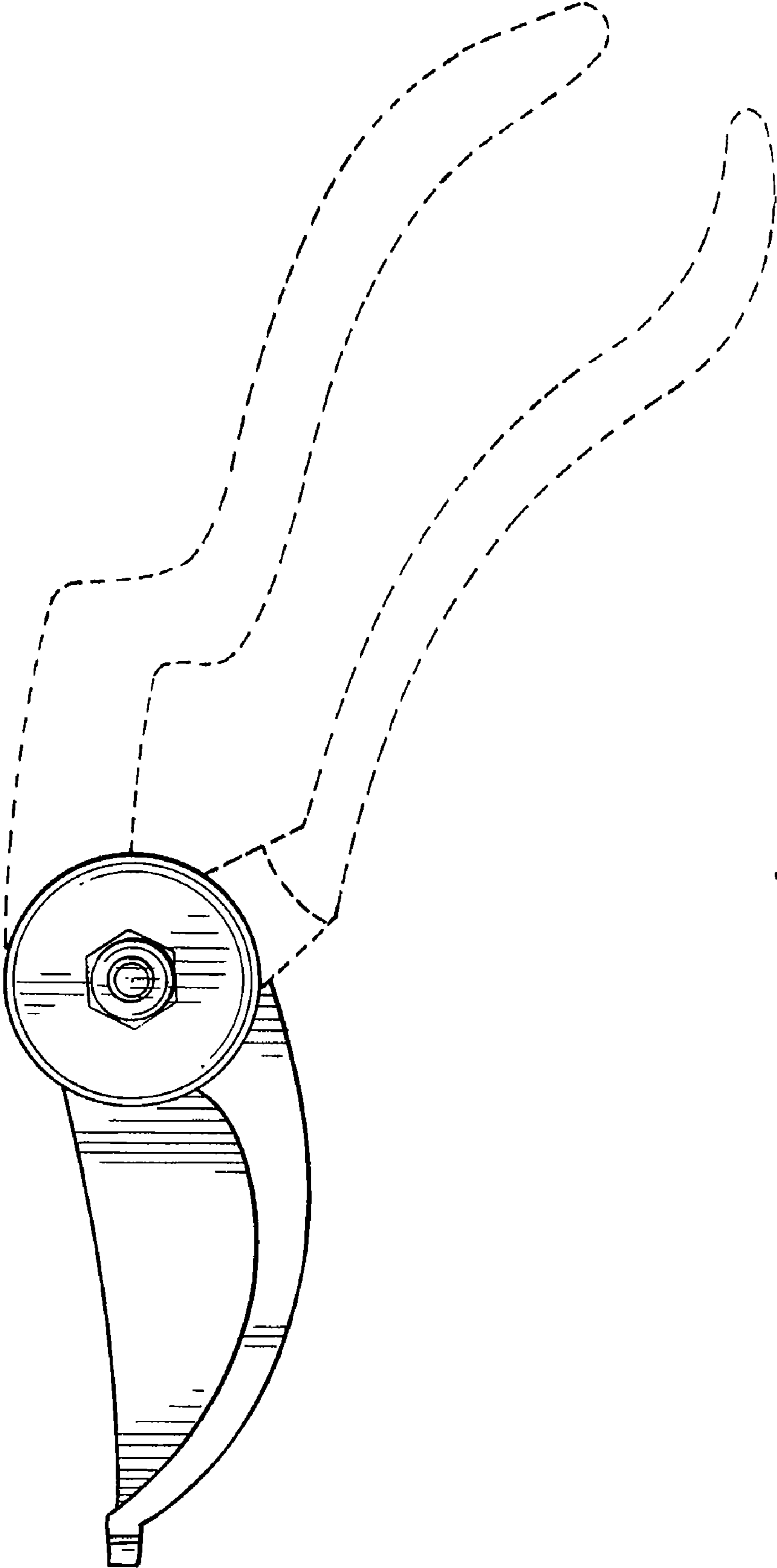


FIG. 1

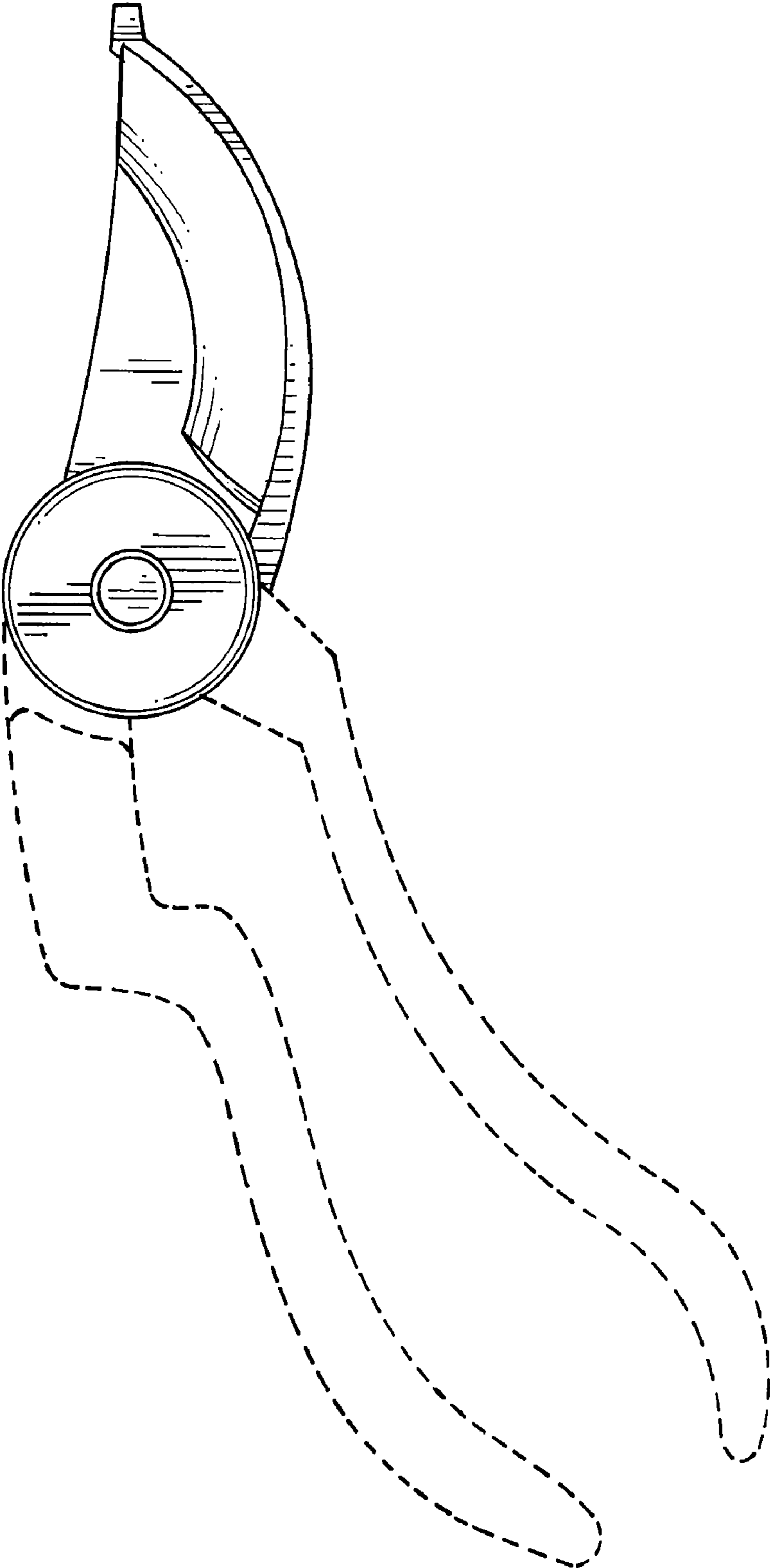


FIG. 2

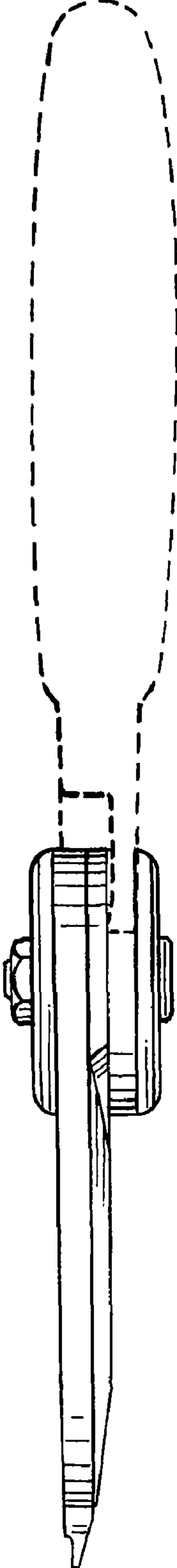


FIG. 3

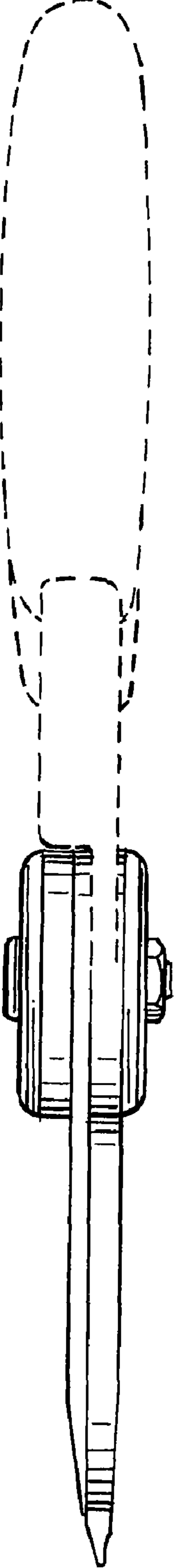


FIG. 4

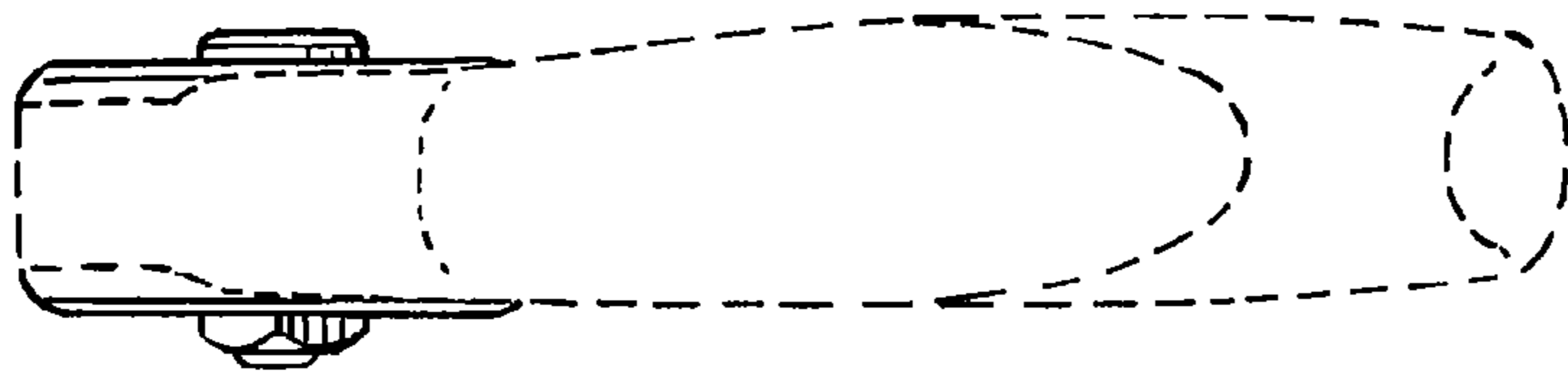


FIG. 6

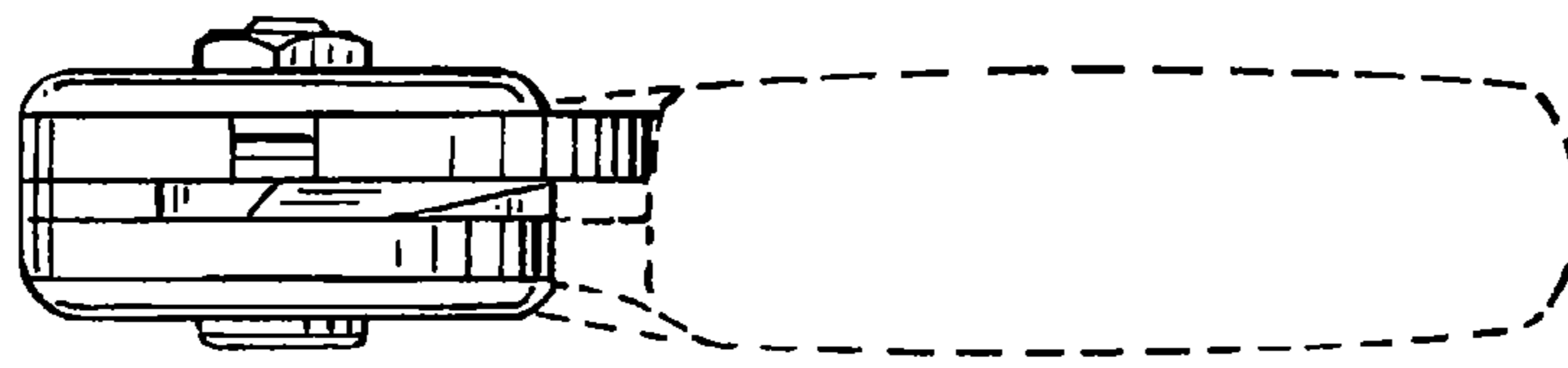


FIG. 5

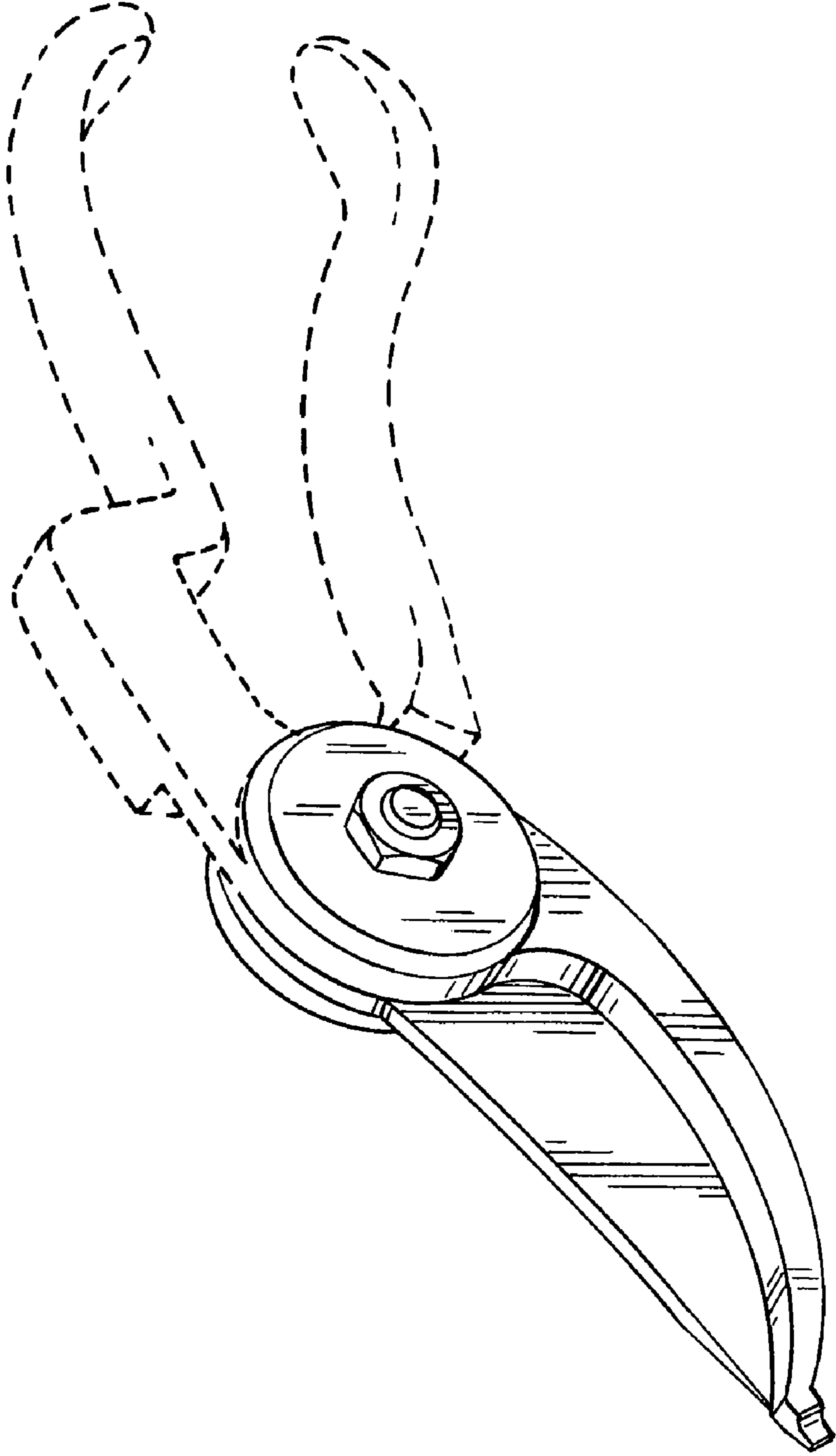


FIG. 7

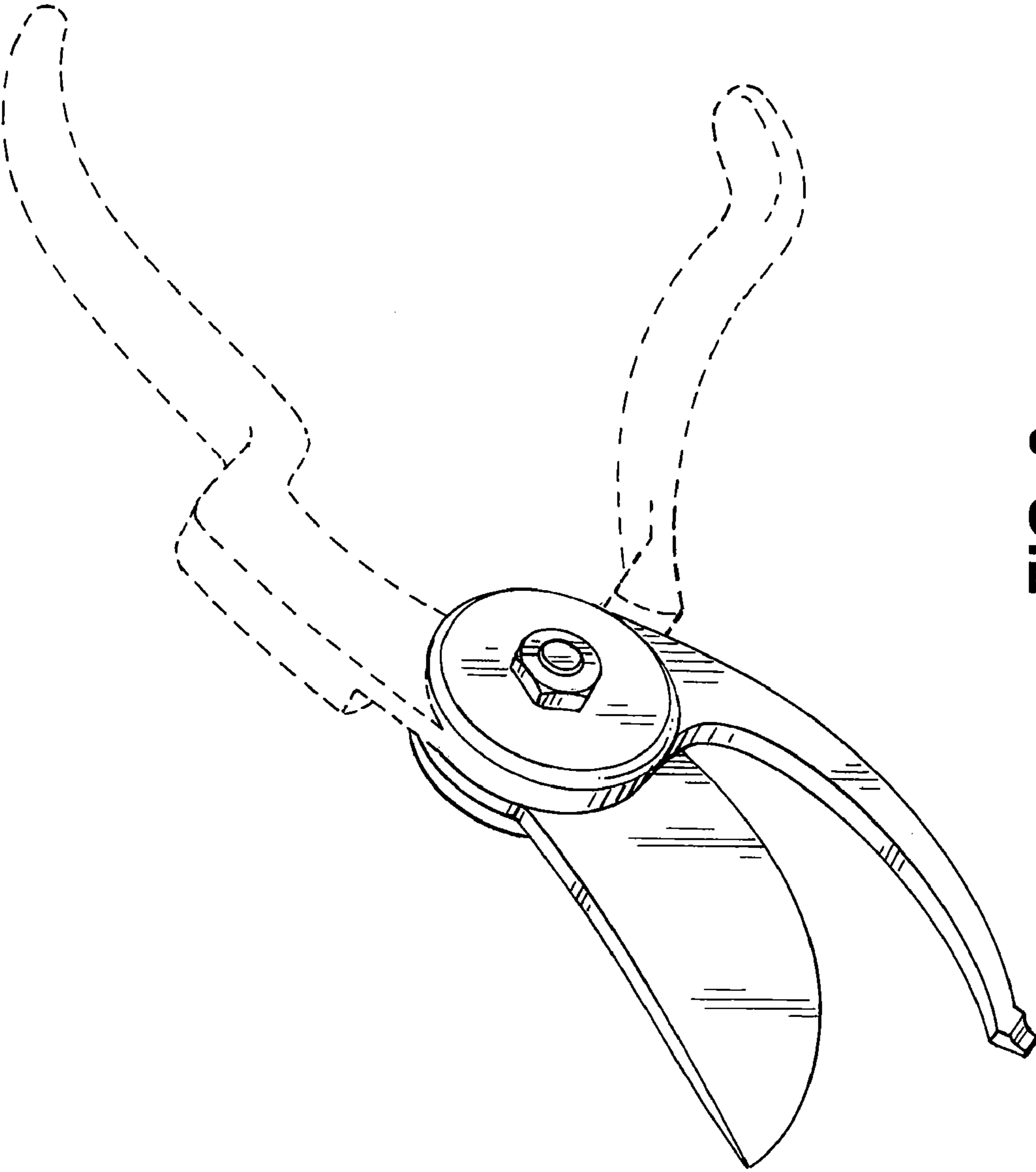


FIG. 8