

US00D652271S

(12) **United States Design Patent**
Moore et al.

(10) **Patent No.:** **US D652,271 S**
(45) **Date of Patent:** **** Jan. 17, 2012**

(54) **PIZZA CUTTER**

(75) Inventors: **James R. Moore**, Willmar, MN (US);
Ronald E. Markfelder, Willmar, MN
(US)

(73) Assignee: **Molenaar, LLC**, Willmar, MN (US)

(**) Term: **14 Years**

(21) Appl. No.: **29/378,228**

(22) Filed: **Nov. 1, 2010**

(51) **LOC (9) Cl.** **07-06**

(52) **U.S. Cl.** **D7/694**

(58) **Field of Classification Search** D7/693-695,
D7/368, 669; D8/98, 20, 66; 99/538; 30/162,
30/306, 307, 319, 292, 299, 314, 315, 329,
30/276, 320, 334

See application file for complete search history.

(56) **References Cited**

U.S. PATENT DOCUMENTS

209,065 A * 10/1878 Millspaugh 30/319
1,589,208 A * 6/1926 Mitchell 30/307
4,020,550 A * 5/1977 Okada 30/292

D260,223 S * 8/1981 De Coster D7/694
D375,662 S * 11/1996 Noga D7/694
D397,001 S * 8/1998 Antista et al. D7/694
6,438,850 B2 * 8/2002 Young et al. 30/162
D494,823 S * 8/2004 Overthun et al. D8/20
D519,334 S * 4/2006 Molenaar D7/694
7,134,209 B1 * 11/2006 Molenaar 30/319
D611,313 S * 3/2010 Eide et al. D7/694

* cited by examiner

Primary Examiner — Terry Wallace

(74) *Attorney, Agent, or Firm* — Fredrikson & Byron, P.A.

(57) **CLAIM**

I claim the ornamental design for the pizza cutter, as shown and described.

DESCRIPTION

FIG. 1 is a perspective view of the pizza cutter of my new design;

FIG. 2 is a front view thereof;

FIG. 3 is a rear view thereof;

FIG. 4 is a left side view thereof;

FIG. 5 is a right side view thereof;

FIG. 6 is a bottom view thereof; and,

FIG. 7 is a top view thereof.

1 Claim, 3 Drawing Sheets

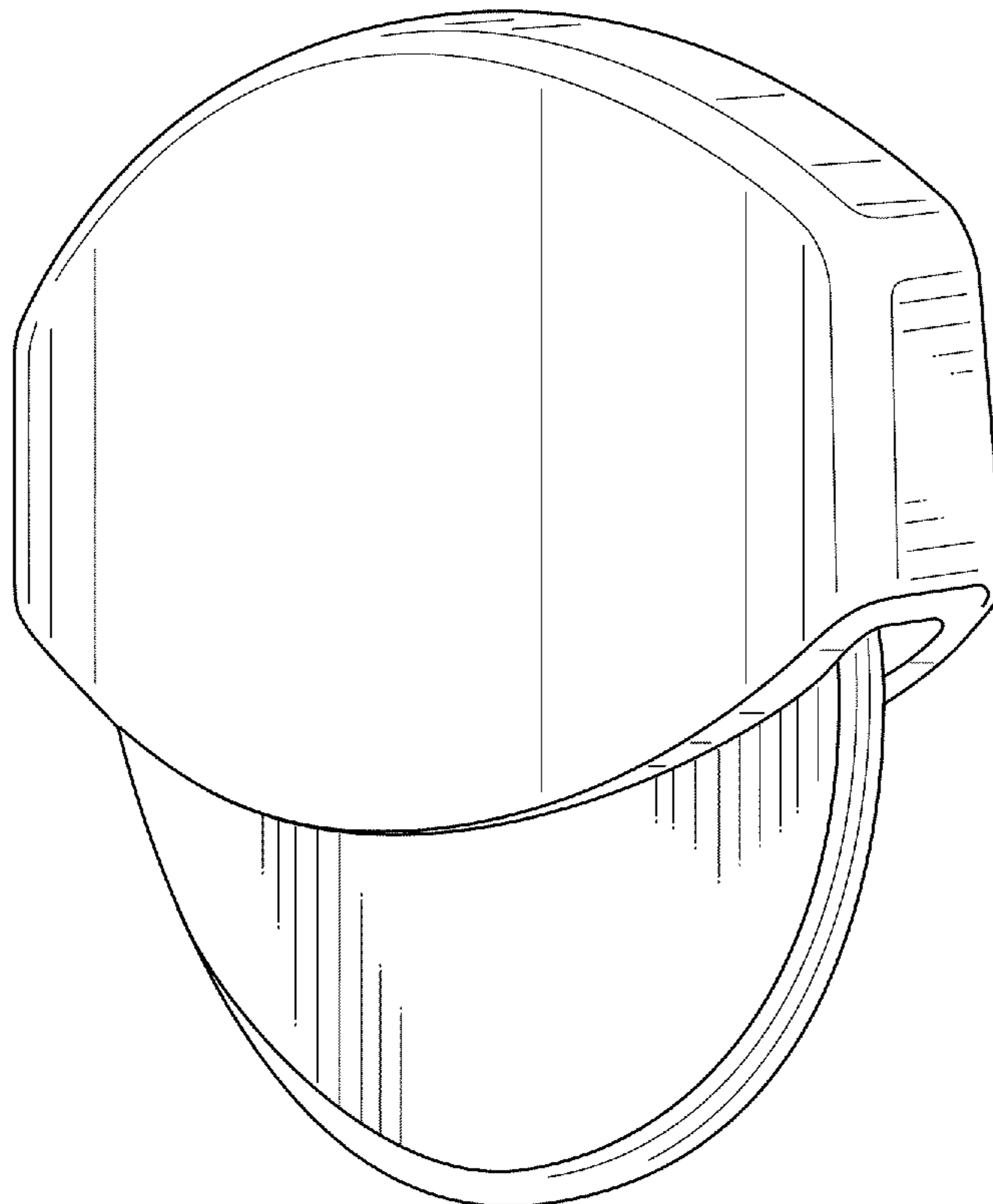


Fig. 1

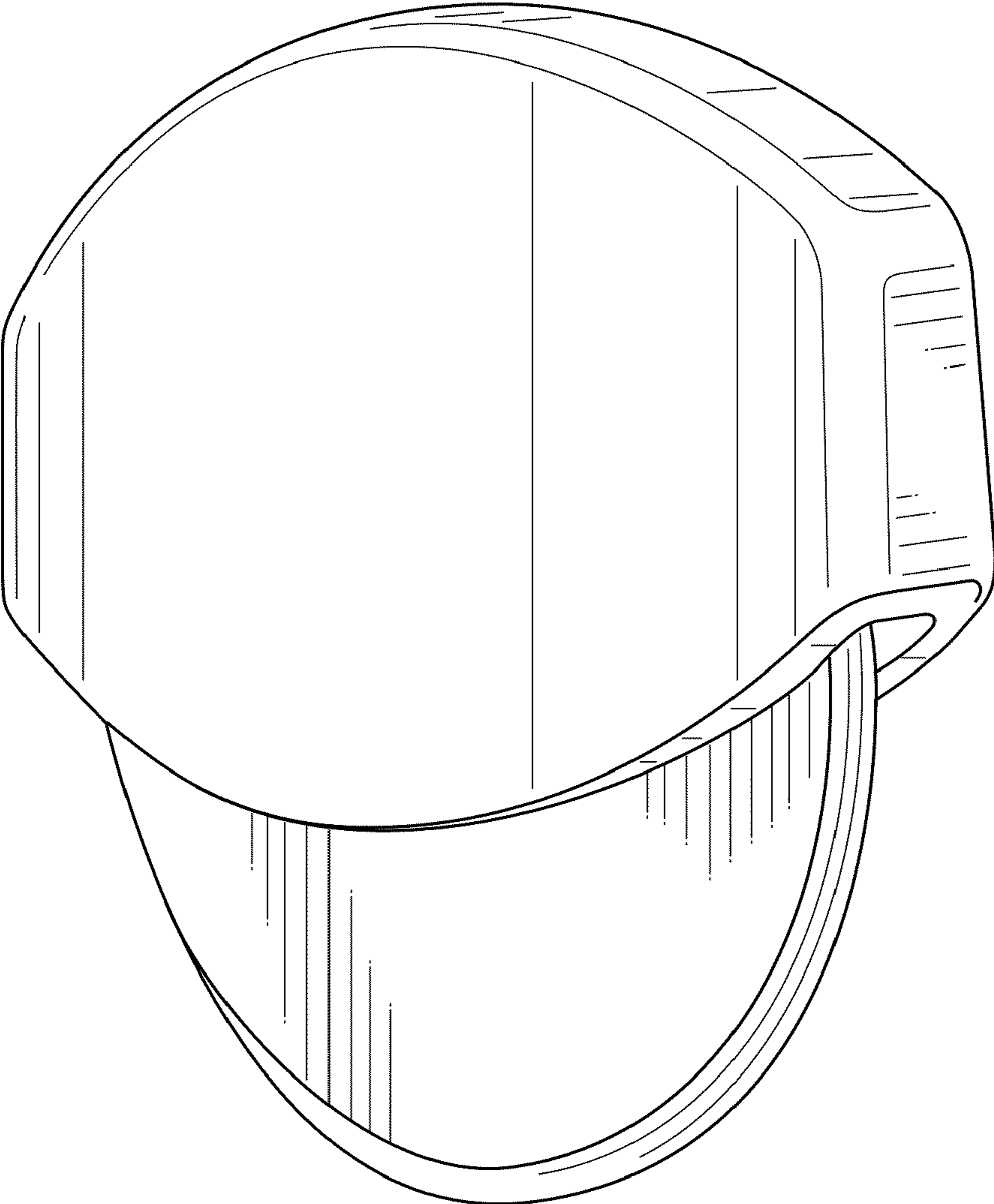


Fig. 2

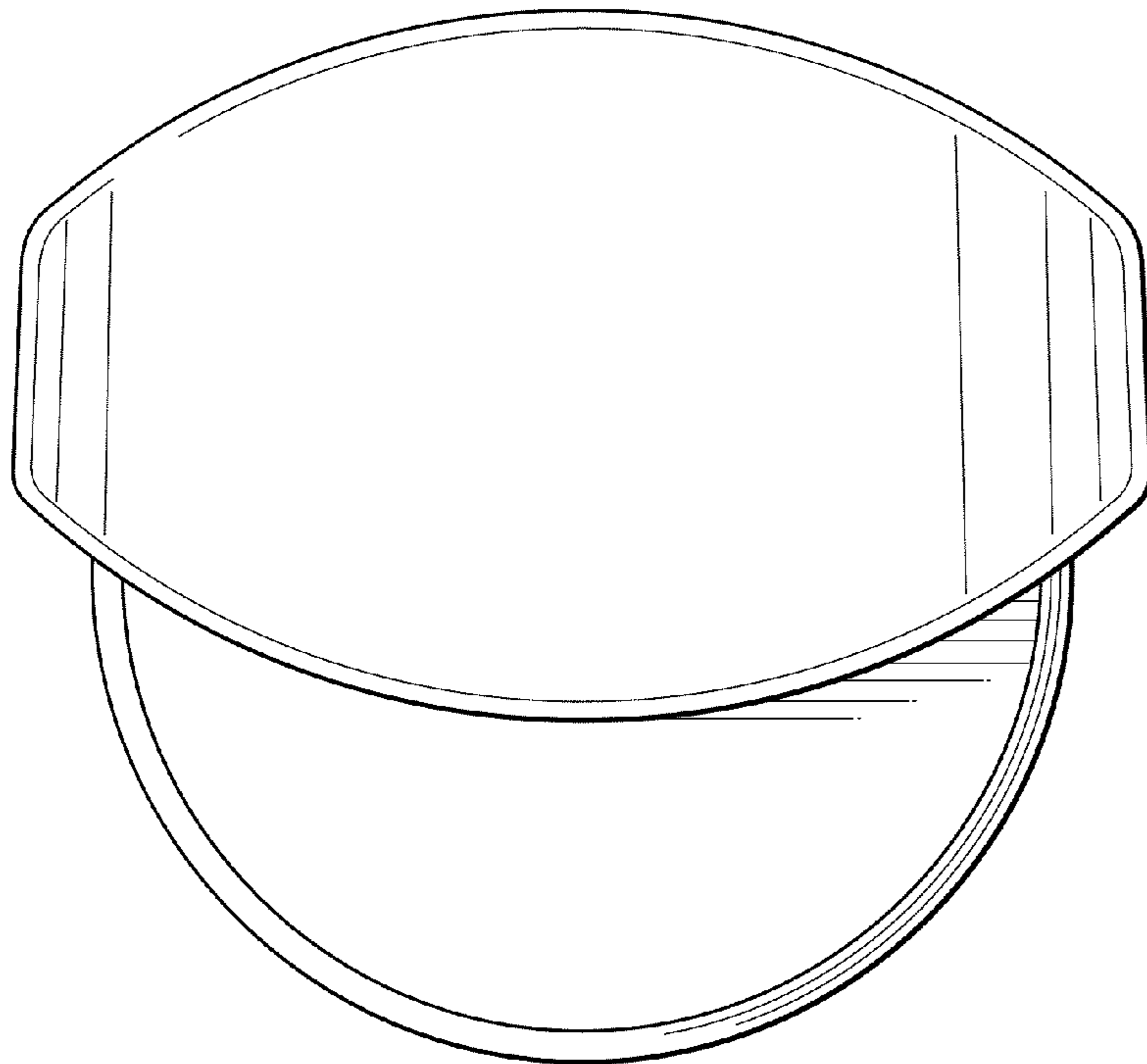


Fig. 3

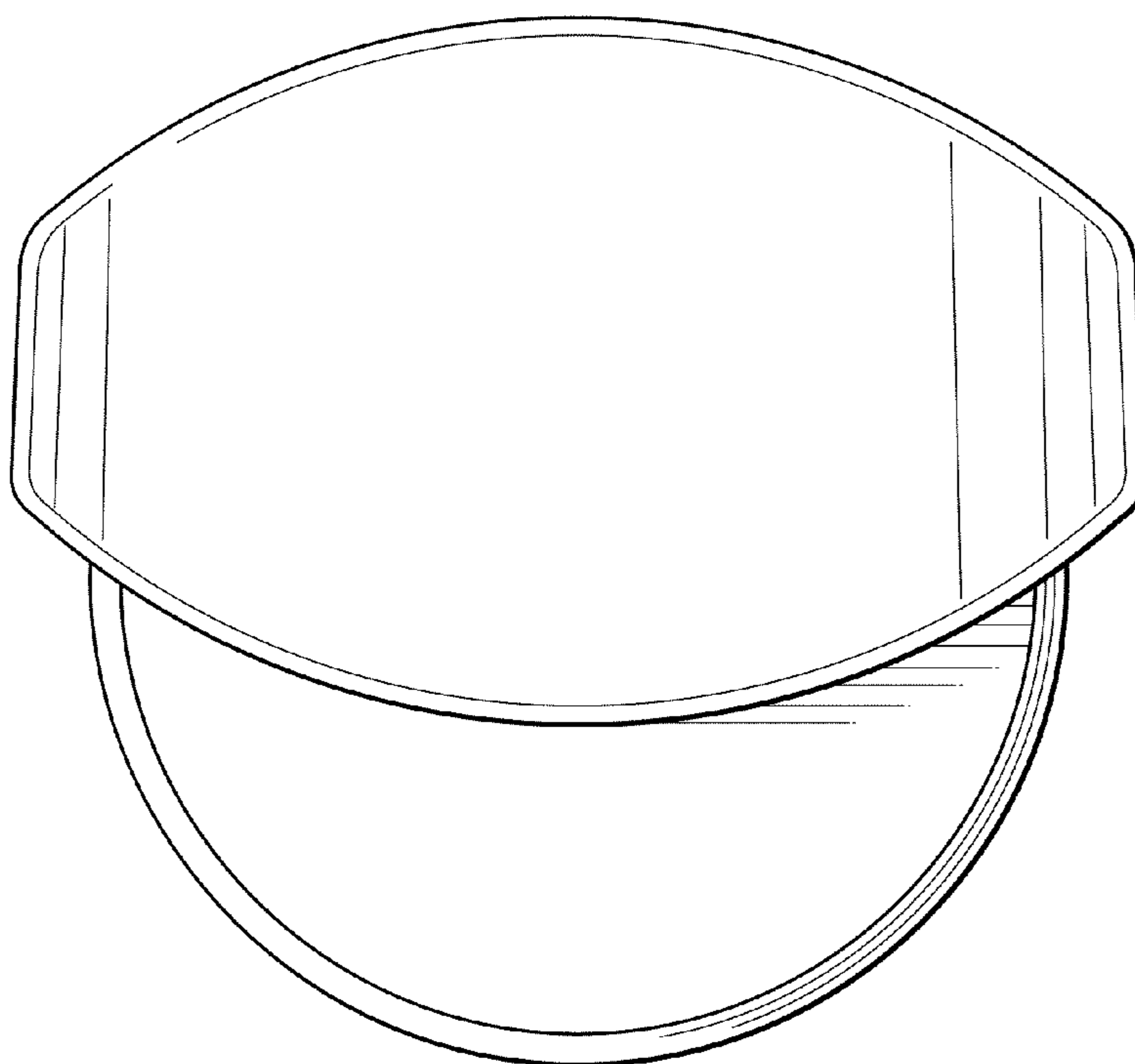


Fig. 4

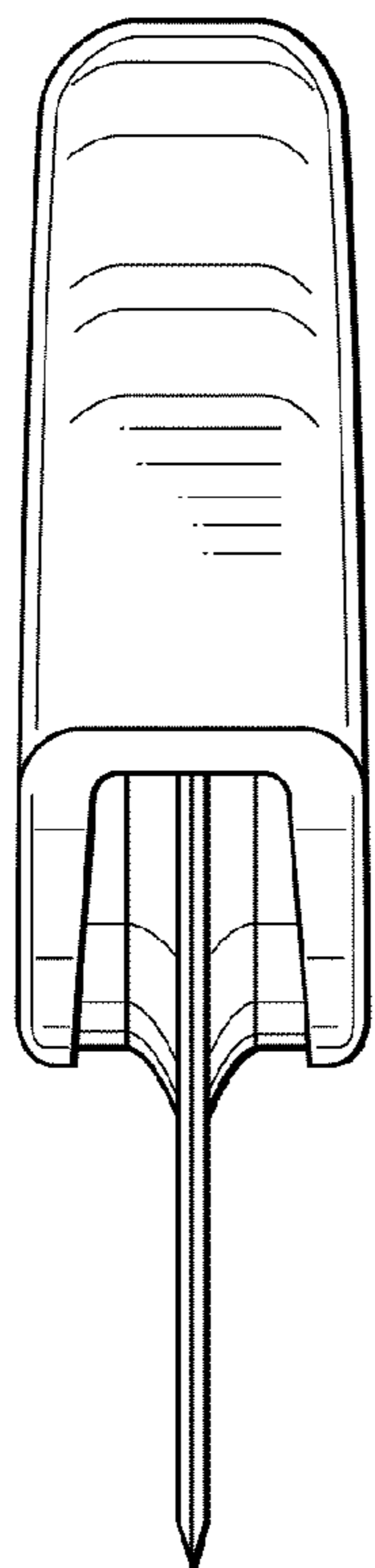


Fig. 5

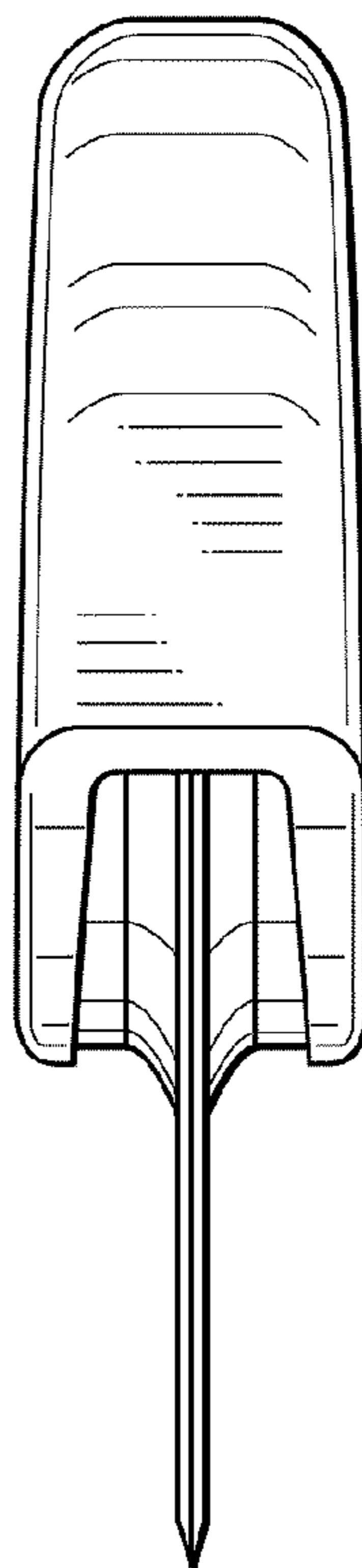


Fig. 6

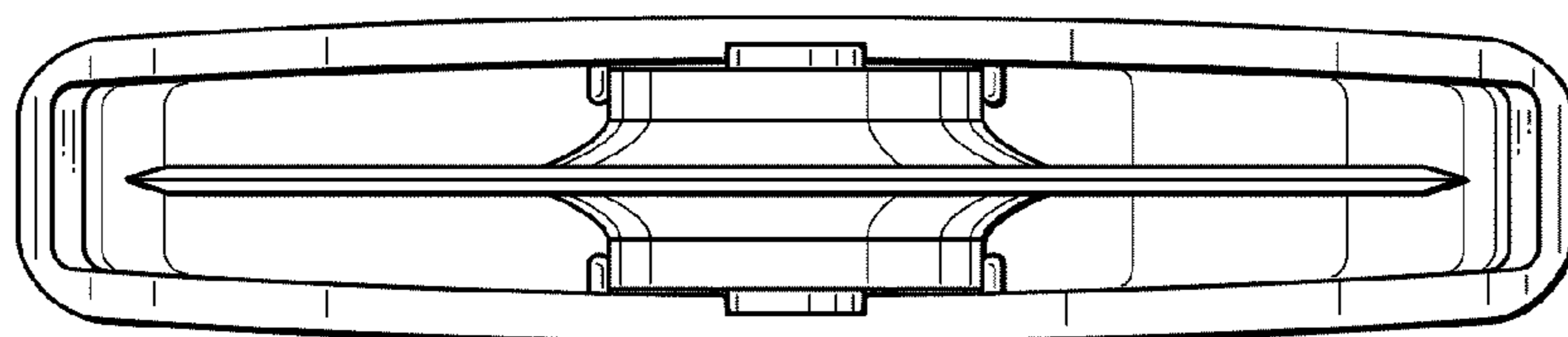


Fig. 7

