



US00D652270S

(12) **United States Design Patent**
Kielwein, Jr. et al.

(10) **Patent No.:** **US D652,270 S**
(45) **Date of Patent:** **** Jan. 17, 2012**

(54) **PEPPER/SALT GRINDER**
(76) Inventors: **John W. Kielwein, Jr.**, Edenton, NC
(US); **Deborah Elliott Kielwein**,
Edenton, NC (US)

7,207,511 B2 * 4/2007 Ng 241/101.3
D545,149 S 6/2007 Marshall
D582,731 S * 12/2008 Kestenbaum D7/679
2006/0060686 A1 * 3/2006 Cheng 241/169.1
2008/0041991 A1 * 2/2008 Mills 241/169.1
* cited by examiner

(**) Term: **14 Years**

Primary Examiner — Terry Wallace

(21) Appl. No.: **29/394,396**

(57) **CLAIM**

The ornamental design for a pepper/salt grinder, as shown and described.

(22) Filed: **Jun. 16, 2011**

(51) **LOC (9) Cl.** **07-04**

(52) **U.S. Cl.** **D7/679**

(58) **Field of Classification Search** D7/679,
D7/590–598; 241/36, 92, 95, 273.1–273.4,
241/169.1, 168, 169, 282.1; 222/142.1–142.9,
222/480

DESCRIPTION

See application file for complete search history.

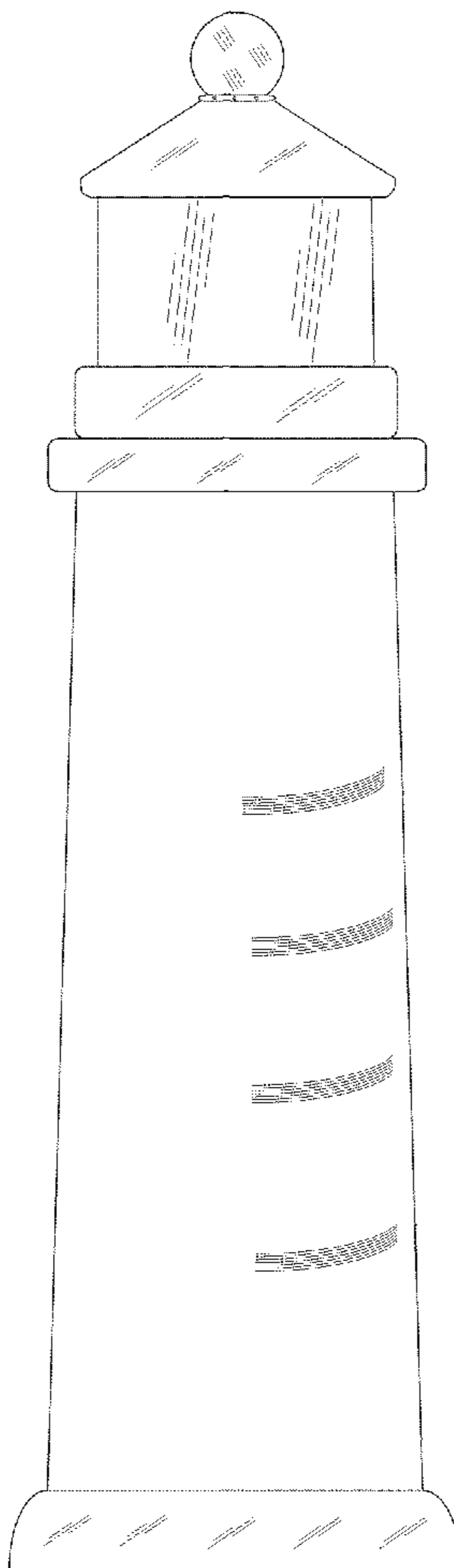
FIG. 1 is a front elevational view of a pepper/salt grinder of the present invention, where the rear elevational view, the right side elevational view, and the left side elevational view are mirror images of the front elevational view shown; FIG. 2 is a front perspective view of the pepper/salt grinder of FIG. 1; FIG. 3 is a top plan view of the pepper/salt grinder of FIG. 1; and, FIG. 4 is a bottom plan view of the pepper/salt grinder of FIG. 1.

(56) **References Cited**

U.S. PATENT DOCUMENTS

5,897,067 A * 4/1999 Tardif et al. 241/169.1
D446,694 S 8/2001 Bodum
D484,371 S 12/2003 Tang
7,040,561 B2 * 5/2006 Wong et al. 241/258

1 Claim, 4 Drawing Sheets



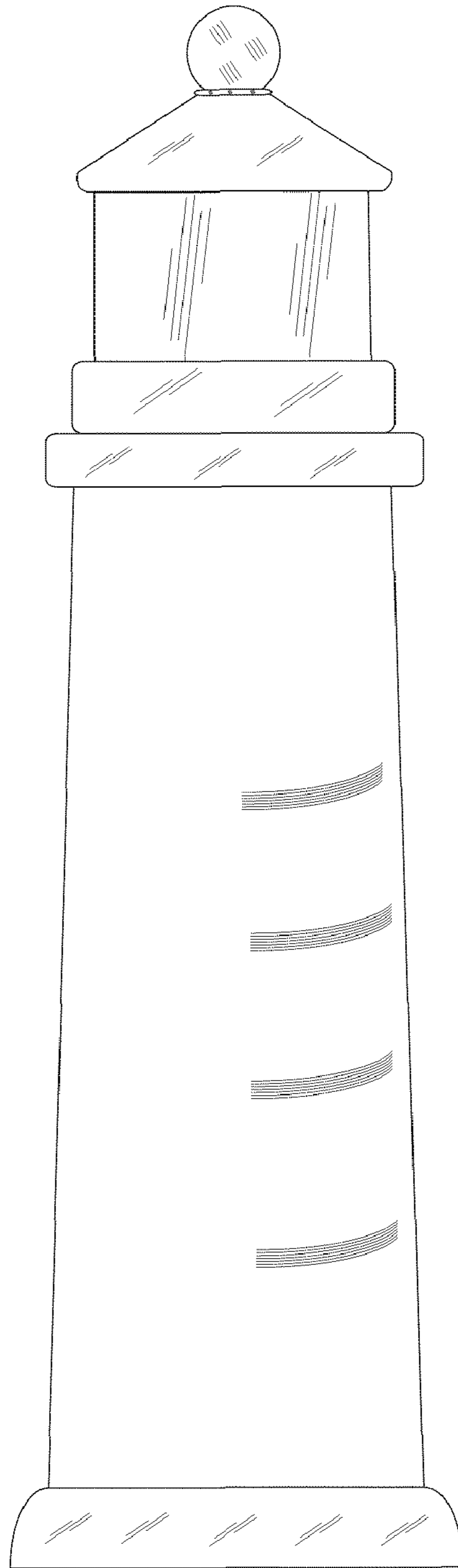


FIG. 1

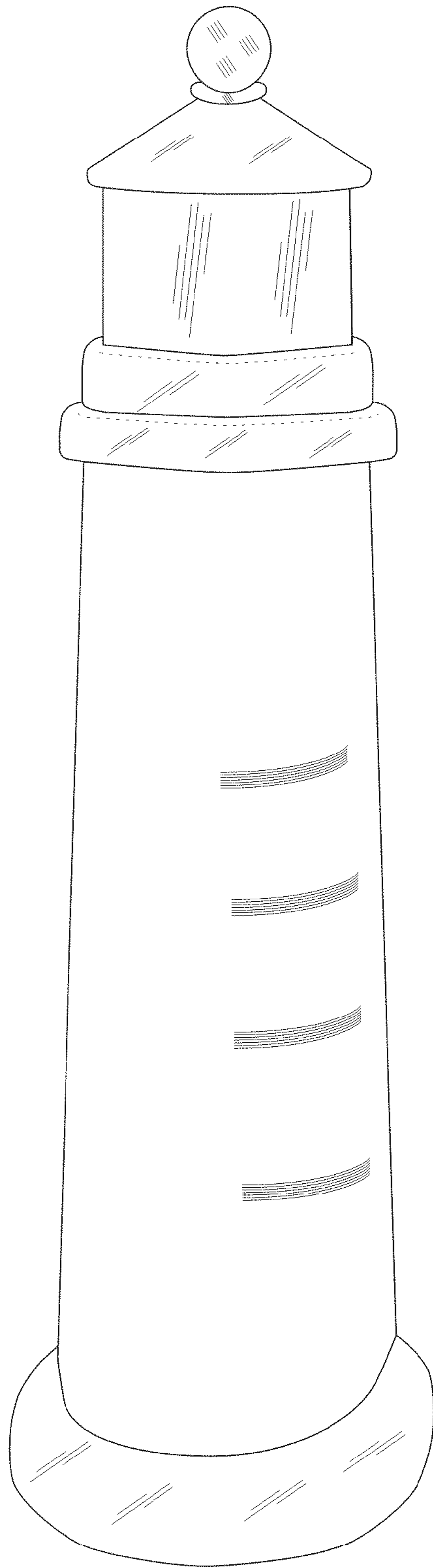


FIG. 2

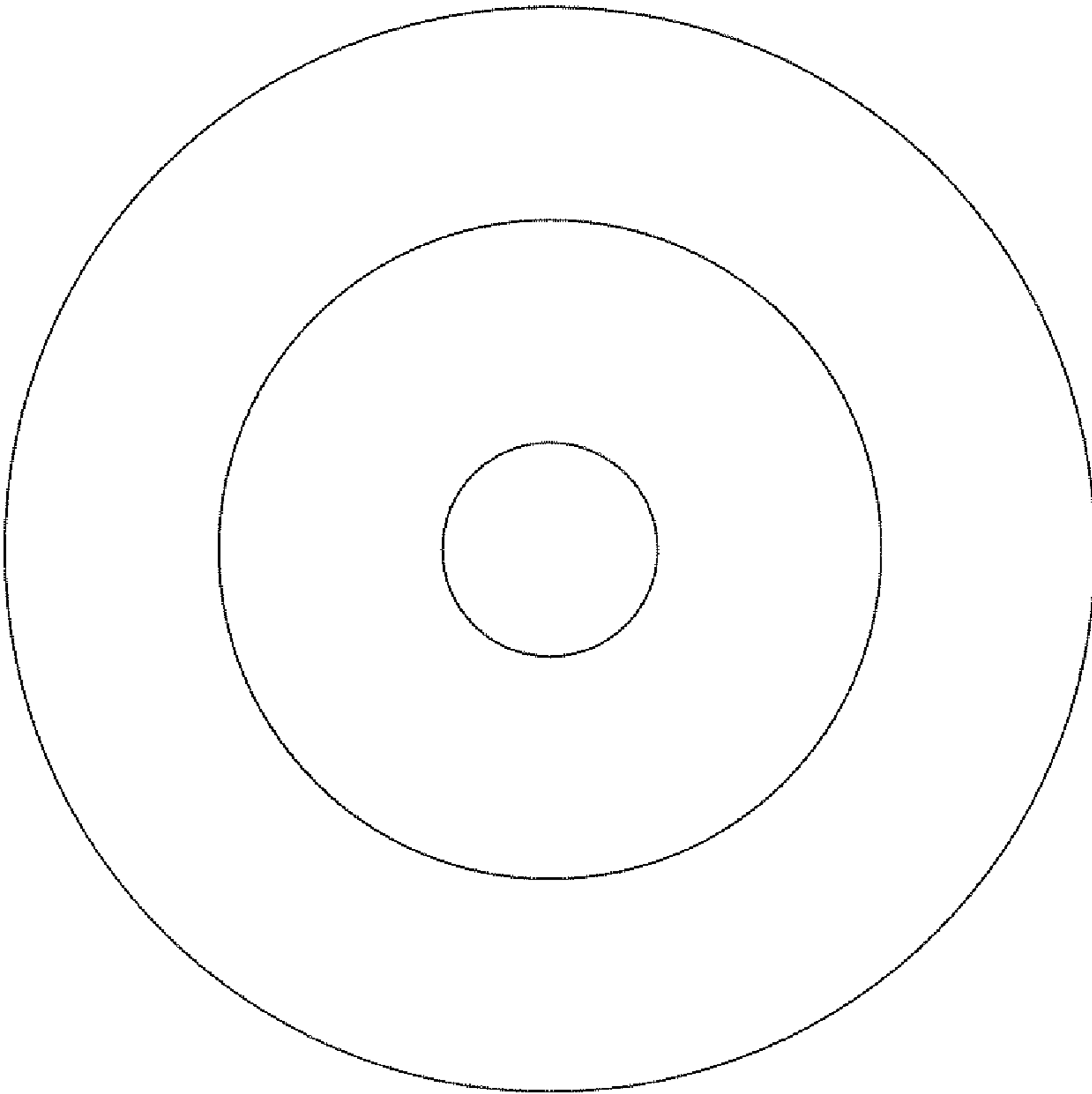


FIG. 3

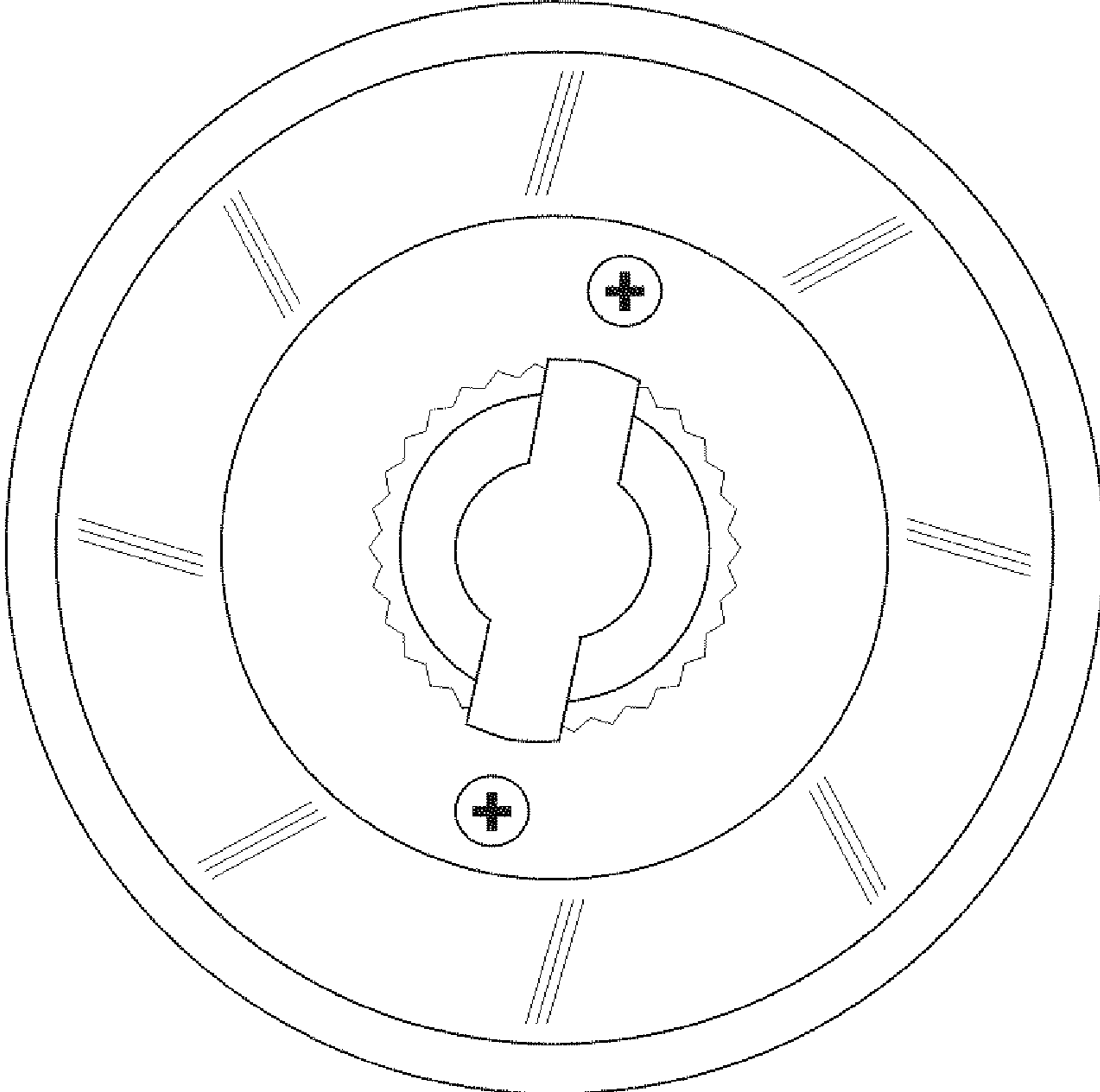


FIG. 4