



US00D652265S

(12) **United States Design Patent**
Lindsay et al.

(10) **Patent No.:** **US D652,265 S**
(45) **Date of Patent:** **** Jan. 17, 2012**

(54) **COMPONENT PARTS OF A CONTAINER ASSEMBLY**

(75) Inventors: **Brendan Jon Lindsay**, Auckland (NZ);
James Richard Manley, Auckland (NZ)

(73) Assignee: **Sistema Plastics Limited**, Auckland (NL)

(**) Term: **14 Years**

(21) Appl. No.: **29/371,391**

(22) Filed: **Jan. 31, 2011**

(30) **Foreign Application Priority Data**

Jul. 30, 2010 (NZ) 413886

(51) **LOC (9) Cl.** **07-07**

(52) **U.S. Cl.** **D7/629**

(58) **Field of Classification Search** D7/602,
D7/629, 630, 538-543, 612-615; D9/424-432;
220/780-802, 675, 574-575, 326, 256.1
See application file for complete search history.

(56) **References Cited**

U.S. PATENT DOCUMENTS

4,244,612	A	1/1981	Schurman	
4,522,312	A	6/1985	Rathgeber	
6,415,947	B1 *	7/2002	Kim	220/788
D481,910	S *	11/2003	Kim	D7/629
D493,073	S *	7/2004	Kim	D7/629
6,789,692	B2	9/2004	Prezelin	
6,793,096	B1 *	9/2004	Seok	220/788
6,955,381	B2	10/2005	Parker	

7,090,089	B2	8/2006	Lown	
D544,762	S *	6/2007	Zimmerman	D7/629
D562,083	S *	2/2008	Lown et al.	D7/629
D591,148	S *	4/2009	Parikh et al.	D9/425
2003/0010783	A1	1/2003	Prezelin	
2004/0084464	A1 *	5/2004	Koo	220/784
2005/0006390	A1 *	1/2005	Wang	220/326
2005/0035125	A1 *	2/2005	Bae	220/326

FOREIGN PATENT DOCUMENTS

WO 02/059007 8/2002

* cited by examiner

Primary Examiner — Terry Wallace

(74) *Attorney, Agent, or Firm* — Jacobson Holman PLLC

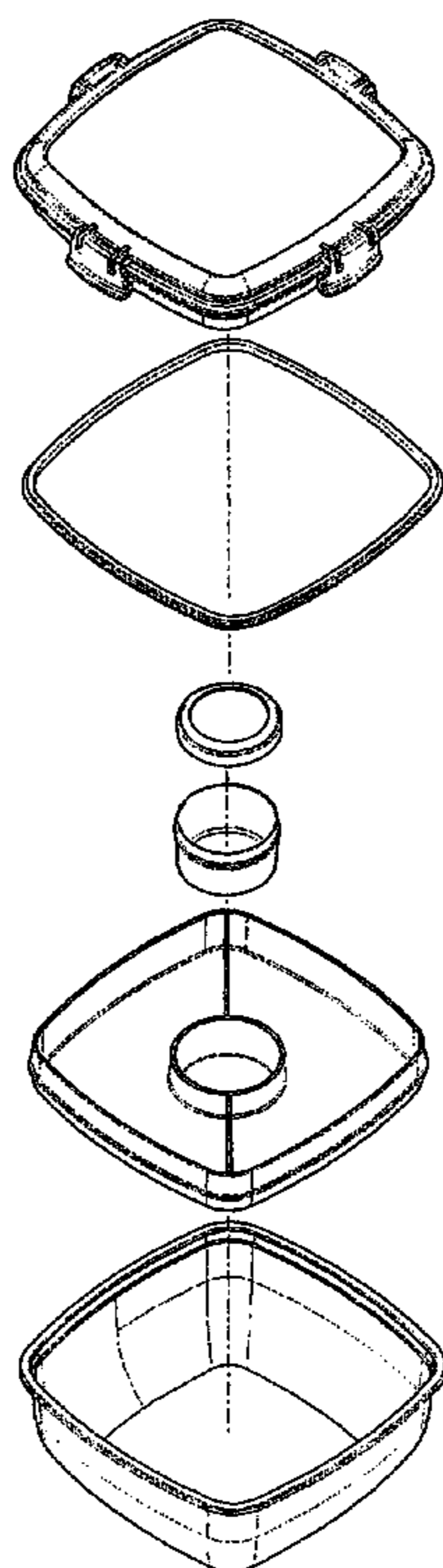
(57) **CLAIM**

The ornamental design for the component parts of a container assembly, as shown and described.

DESCRIPTION

FIG. 1 is top plan view of a container assembly embodying our design;
FIG. 2 is a side elevation view of the container assembly of FIG. 1, the other three sides being identical;
FIG. 3 is a bottom view of the container assembly of FIG. 1;
FIG. 4 is a exploded perspective view from above of the container assembly showing the component parts intermediate the top and bottom portions of the container of FIGS. 1-3; and,
FIG. 5 is a exploded perspective view from below showing the component parts intermediate the top and bottom portions of the container assembly of FIGS. 1-3.

1 Claim, 3 Drawing Sheets



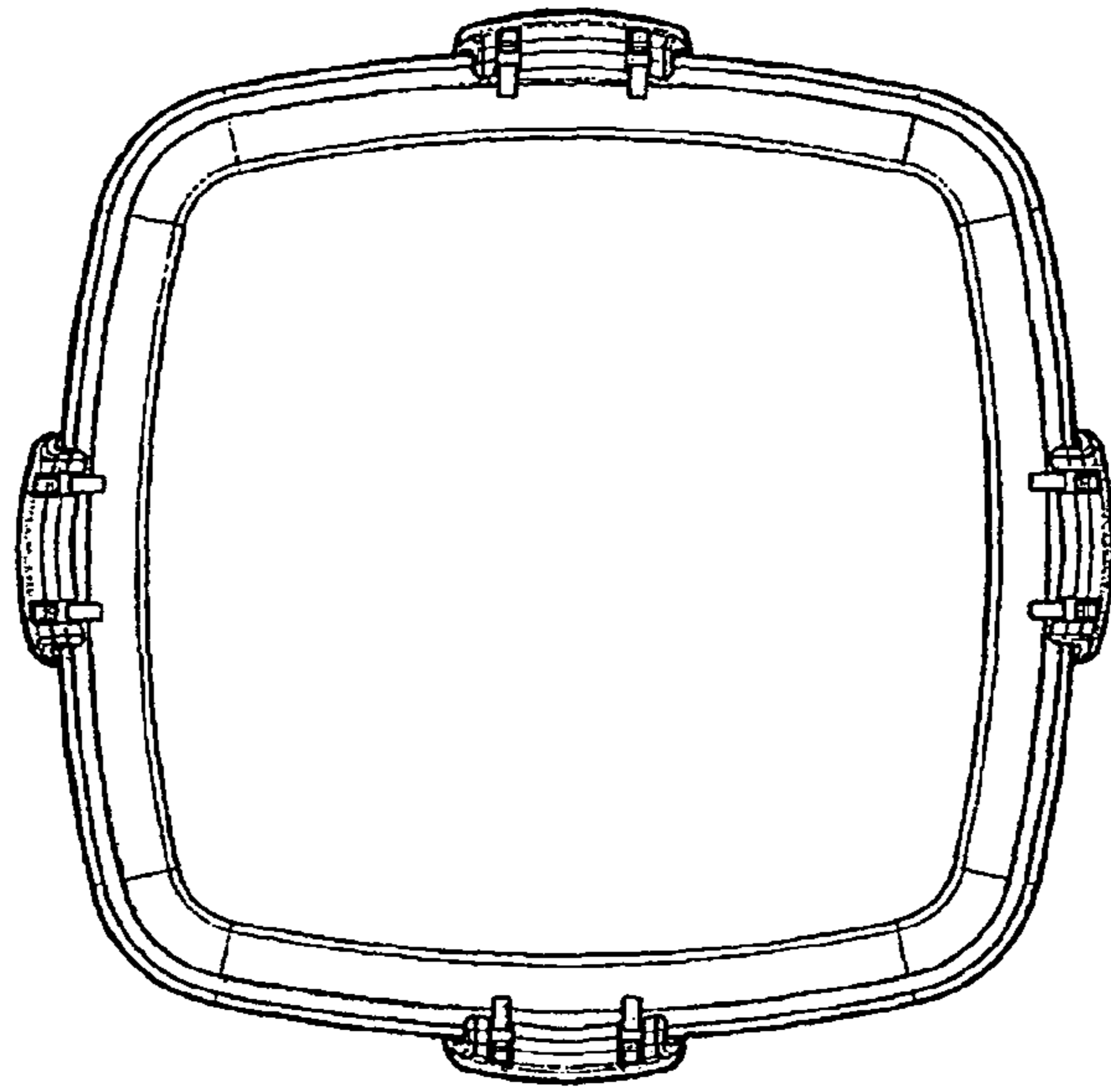


FIG 1

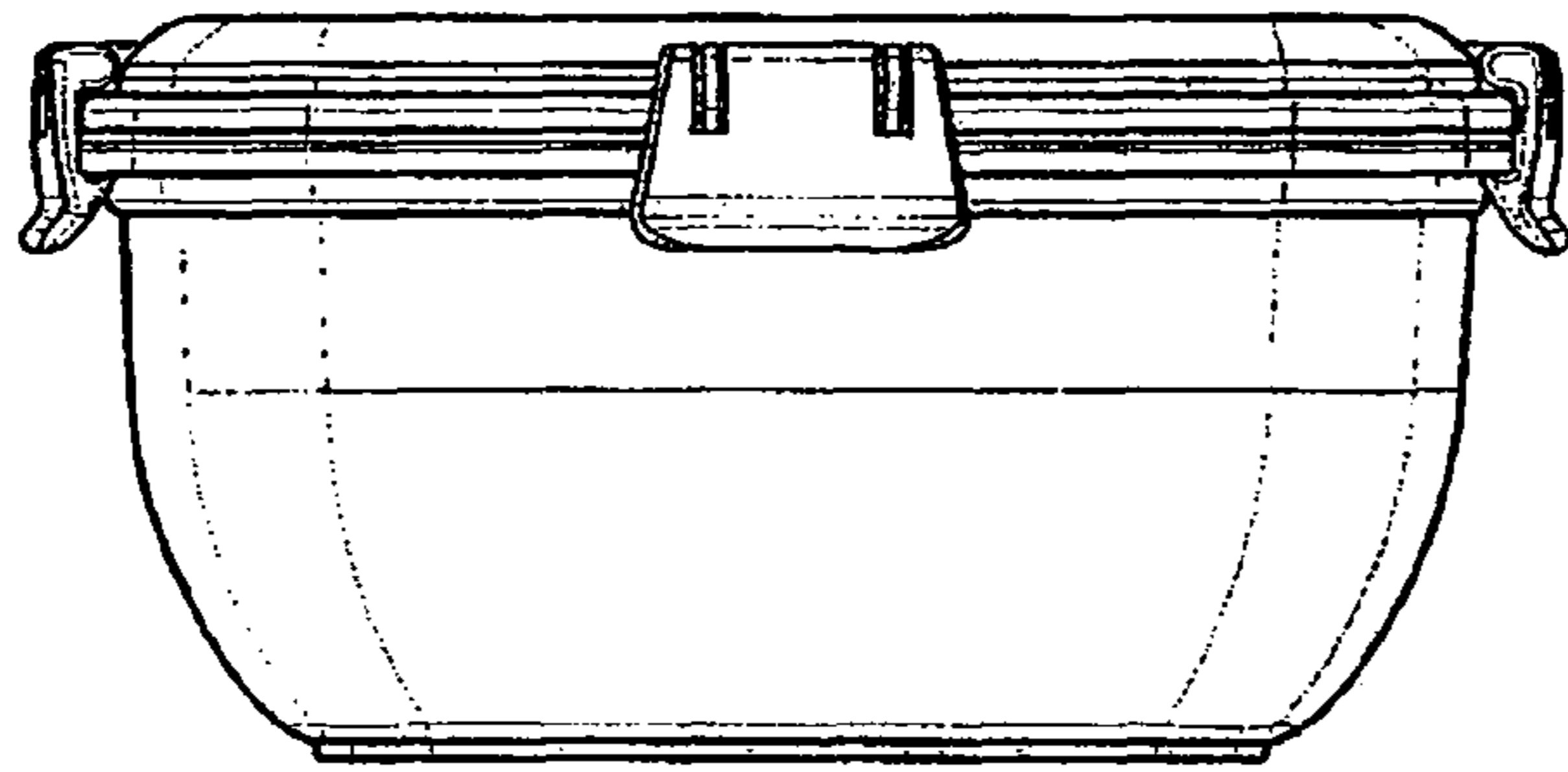


FIG 2

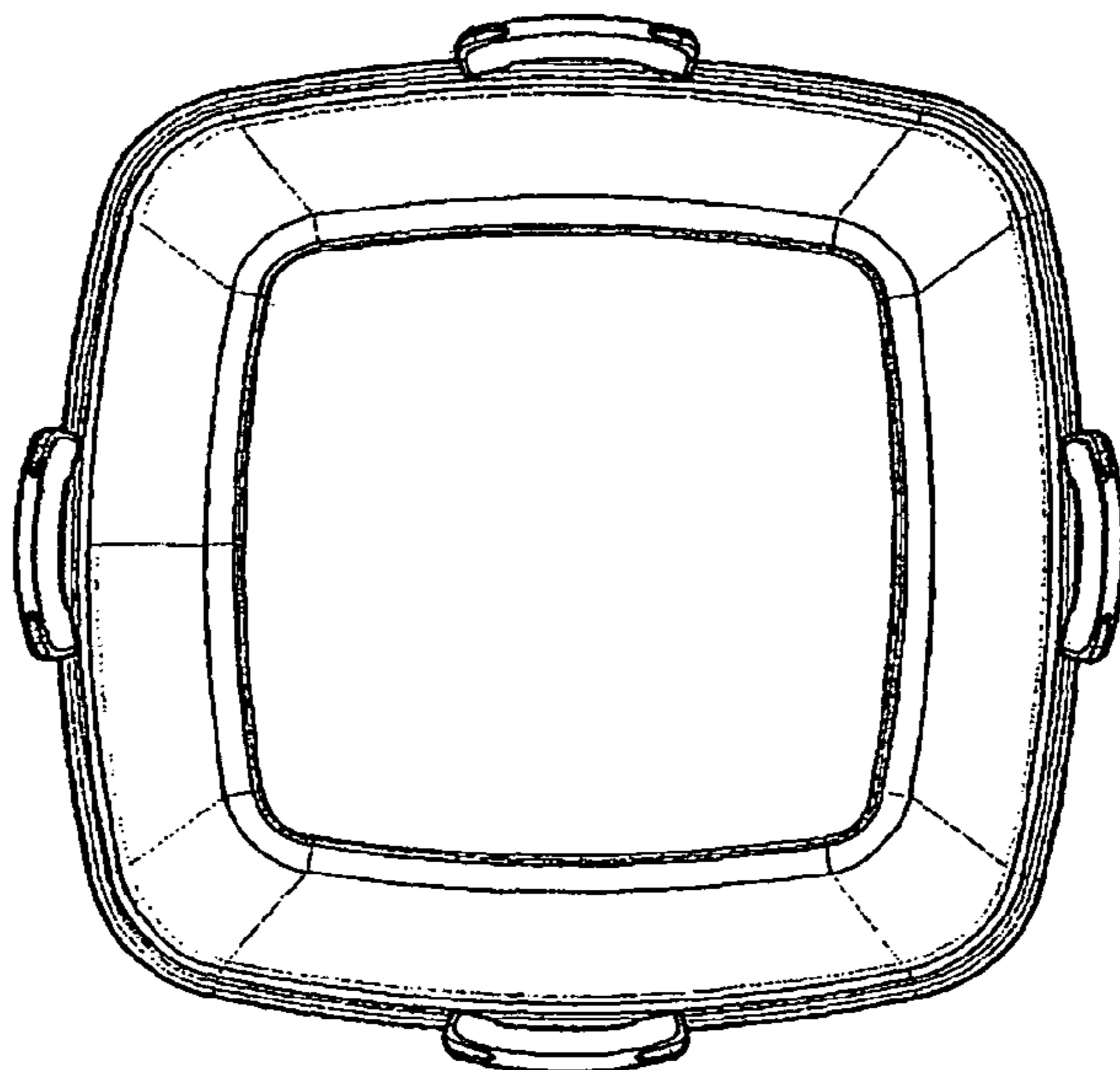


FIG 3

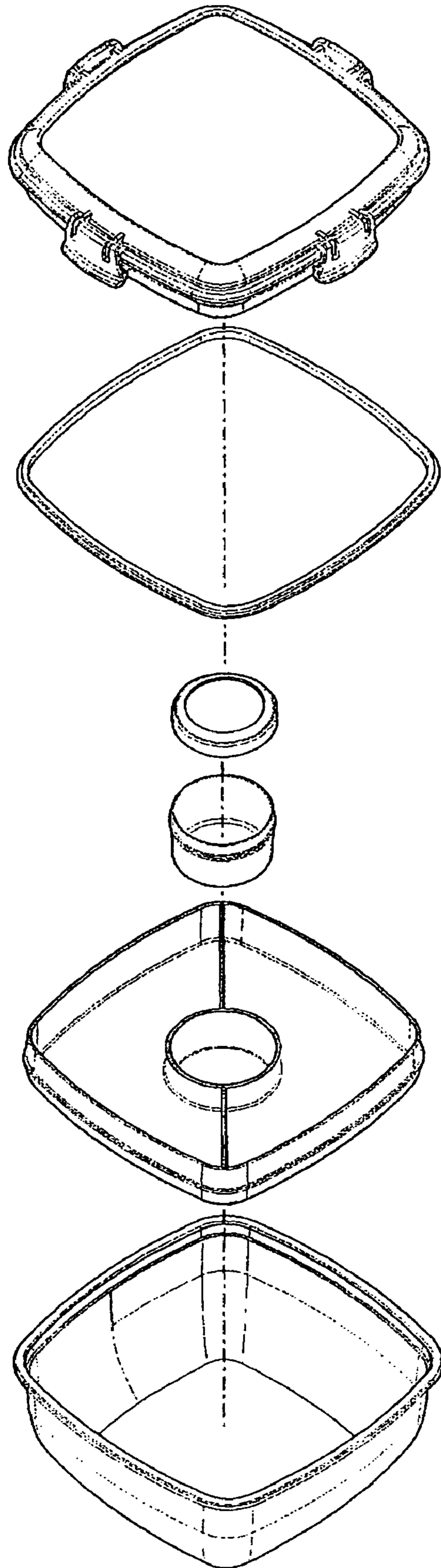


FIG 4

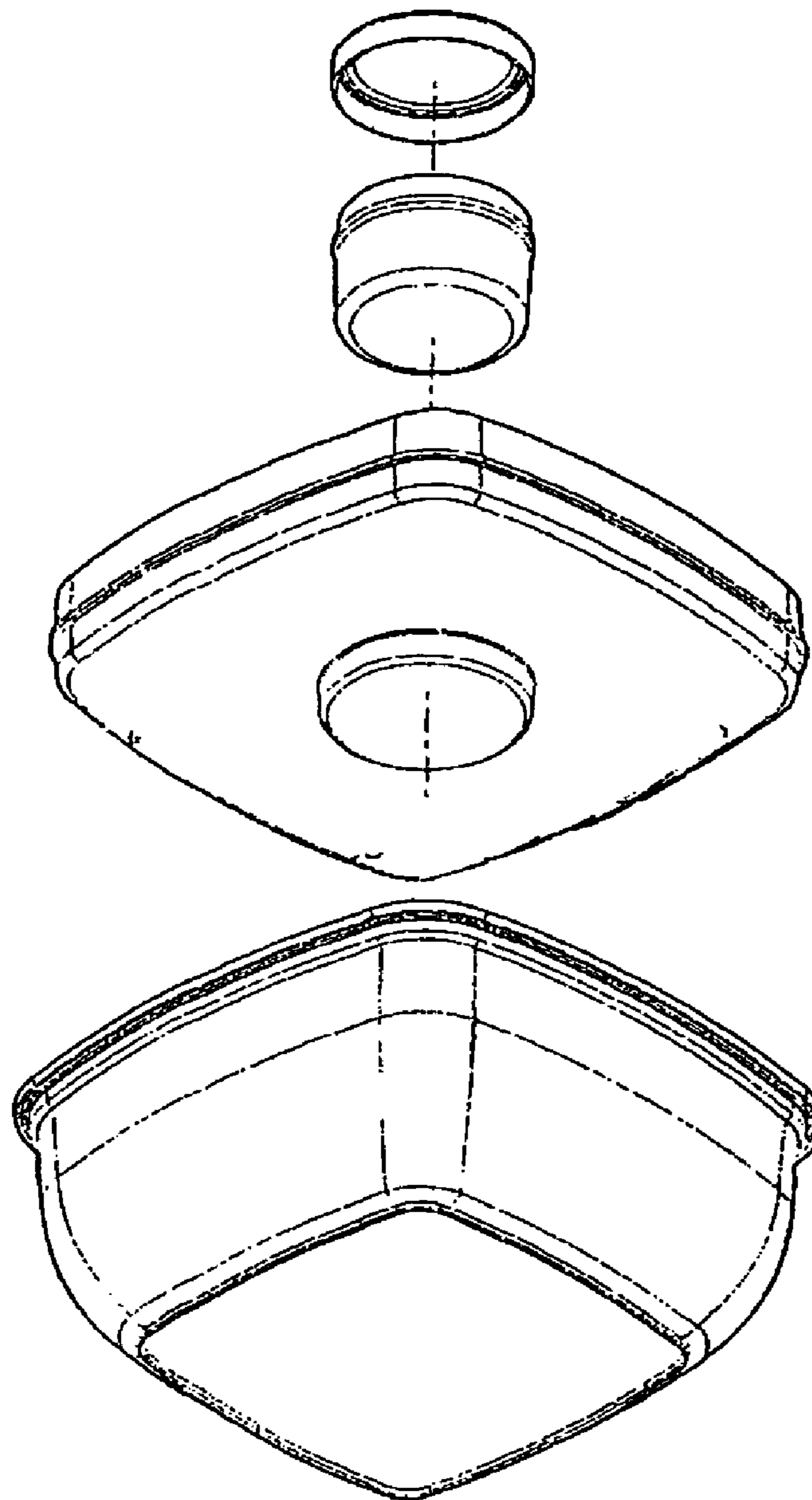
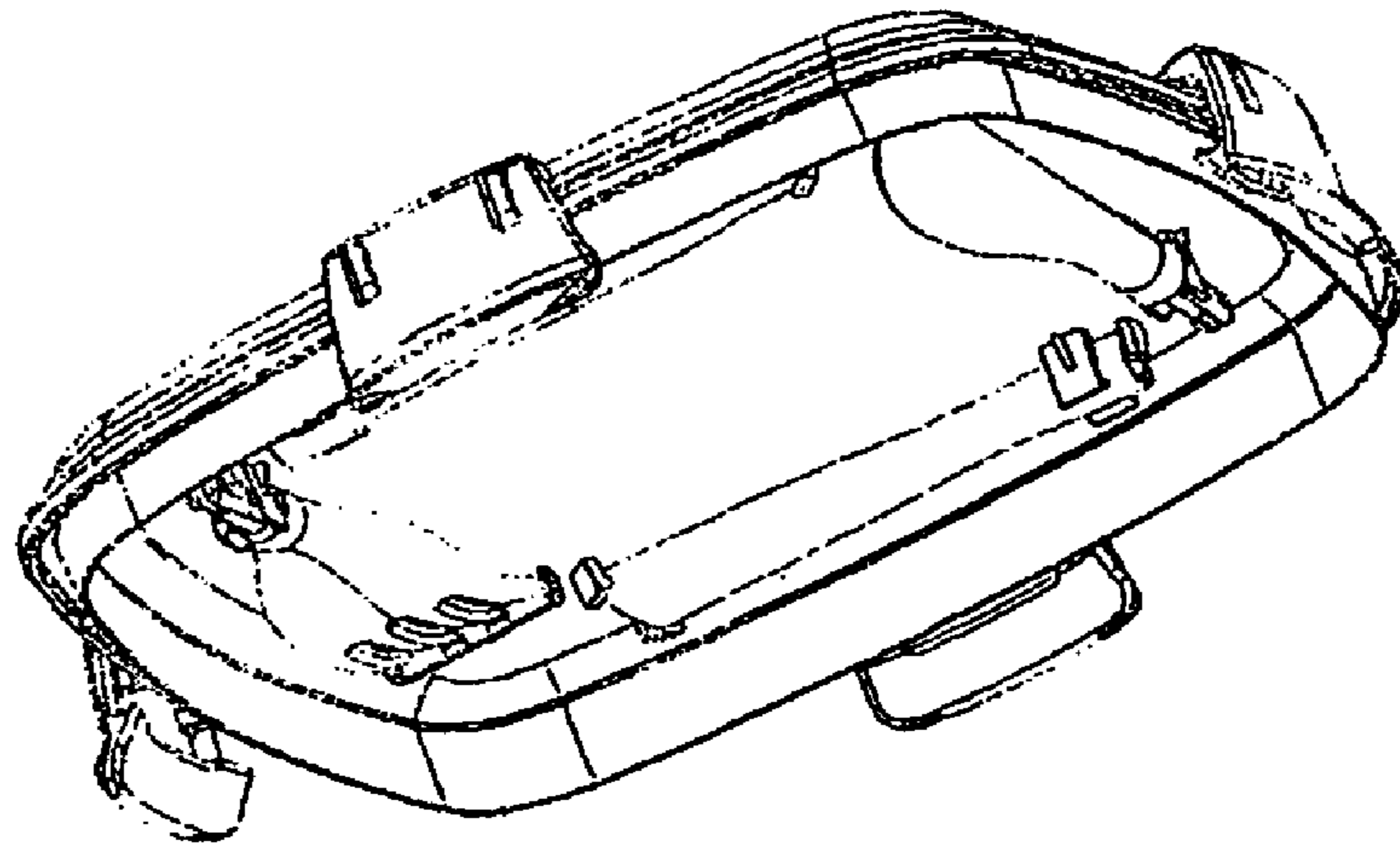


FIG 5