



US00D652264S

(12) **United States Design Patent**
Fuller

(10) **Patent No.:** **US D652,264 S**

(45) **Date of Patent:** **** *Jan. 17, 2012**

(54) **COOLER**

(76) Inventor: **Thomas C. Fuller**, Lubock, TX (US)

(*) Notice: This patent is subject to a terminal disclaimer.

(**) Term: **14 Years**

(21) Appl. No.: **29/370,016**

(22) Filed: **May 28, 2010**

(51) **LOC (9) Cl.** **07-01**

(52) **U.S. Cl.** **D7/608**

(58) **Field of Classification Search** D7/605-608,
D7/300, 312, 313, 306; 62/371, 372, 125,
62/246, 457.1-457.9; 312/114, 116, 117,
312/119, 138.1, 139.2; D15/83; D6/450,
D6/440, 448, 470-472; 220/592.1, 592.25,
220/915.2

See application file for complete search history.

(56) **References Cited**

U.S. PATENT DOCUMENTS

5,433,085	A *	7/1995	Rogers	62/372
5,564,288	A *	10/1996	Lewis	62/372
5,910,162	A *	6/1999	Harbour et al.	62/246
6,065,303	A *	5/2000	Harris	62/457.5

6,073,460	A	6/2000	Credle, Jr.	
D449,845	S	10/2001	Reese et al.	
6,415,623	B1 *	7/2002	Jennings et al. 62/457.2
6,920,995	B2 *	7/2005	Bowen et al. 220/592.1
7,032,409	B1	4/2006	Worsham	

* cited by examiner

Primary Examiner — Terry Wallace

(74) *Attorney, Agent, or Firm* — Paul R. Martin

(57) **CLAIM**

The ornamental design for a cooler, as shown and described.

DESCRIPTION

FIG. 1 is an exploded perspective view of the cooler of my new design.

FIG. 2 is a front elevational view of the cooler shown in FIG. 1, with individual elements fully integrated.

FIG. 3 is a right side elevational view of the cooler shown in FIG. 2.

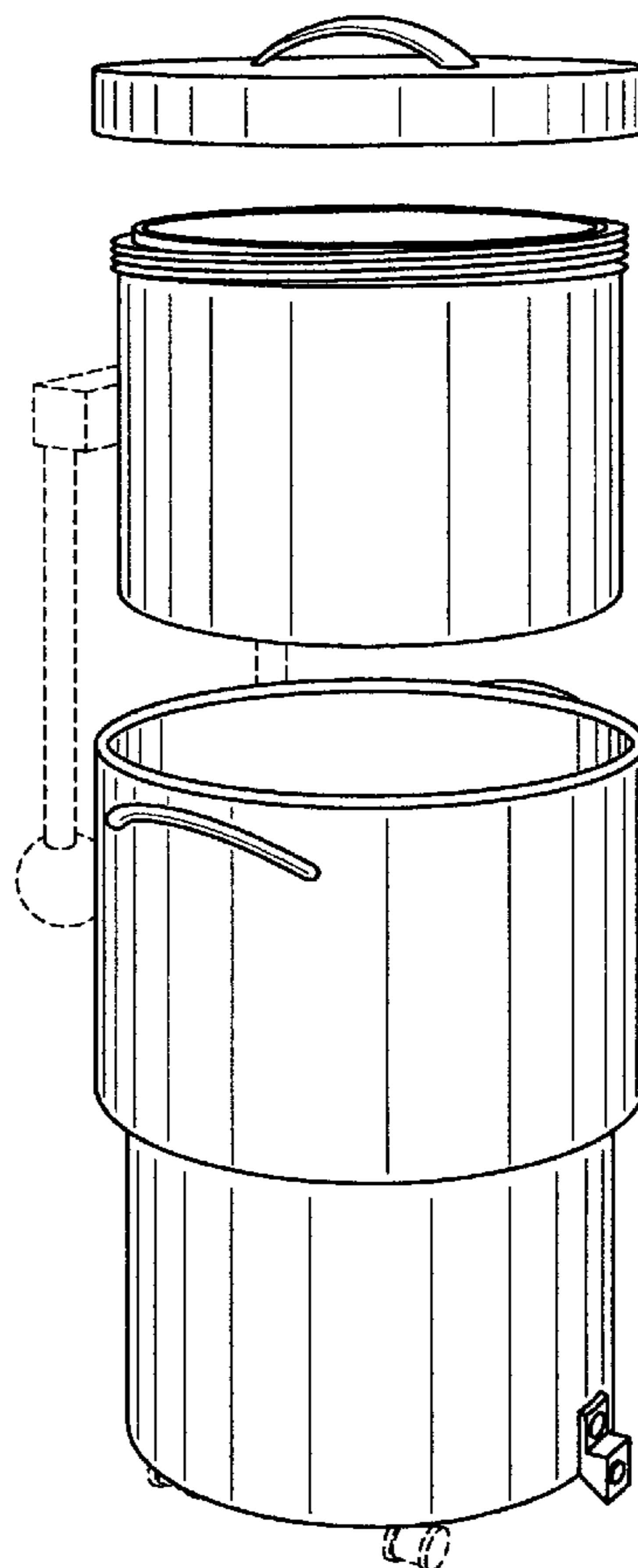
FIG. 4 is a rear elevational view of the cooler shown in FIG. 2; and,

FIG. 5 is a top plan view of the cooler shown in FIG. 2.

The elements shown in dotted lines in FIGS. 1-4 are optional additions to the cooler of my new design.

The broken lines are for illustrative purposes only and form no part of the claimed design.

1 Claim, 3 Drawing Sheets



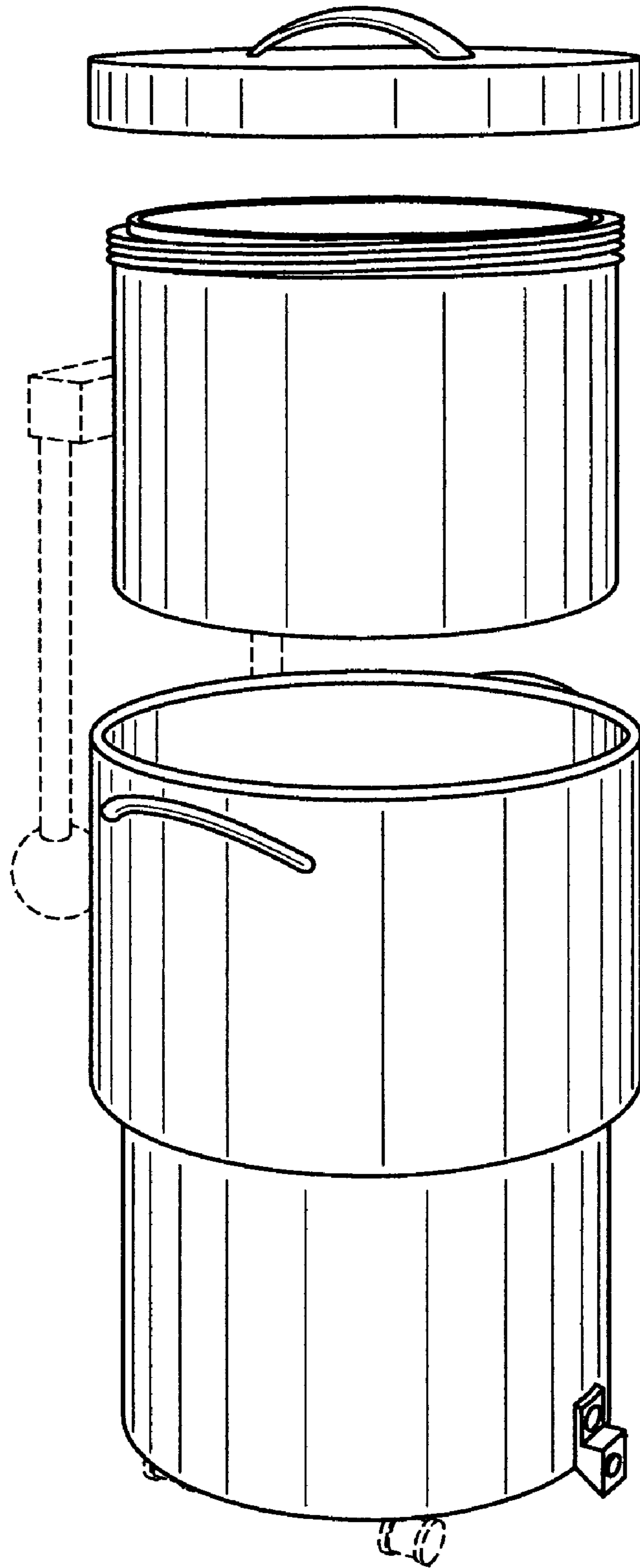


FIG. 1

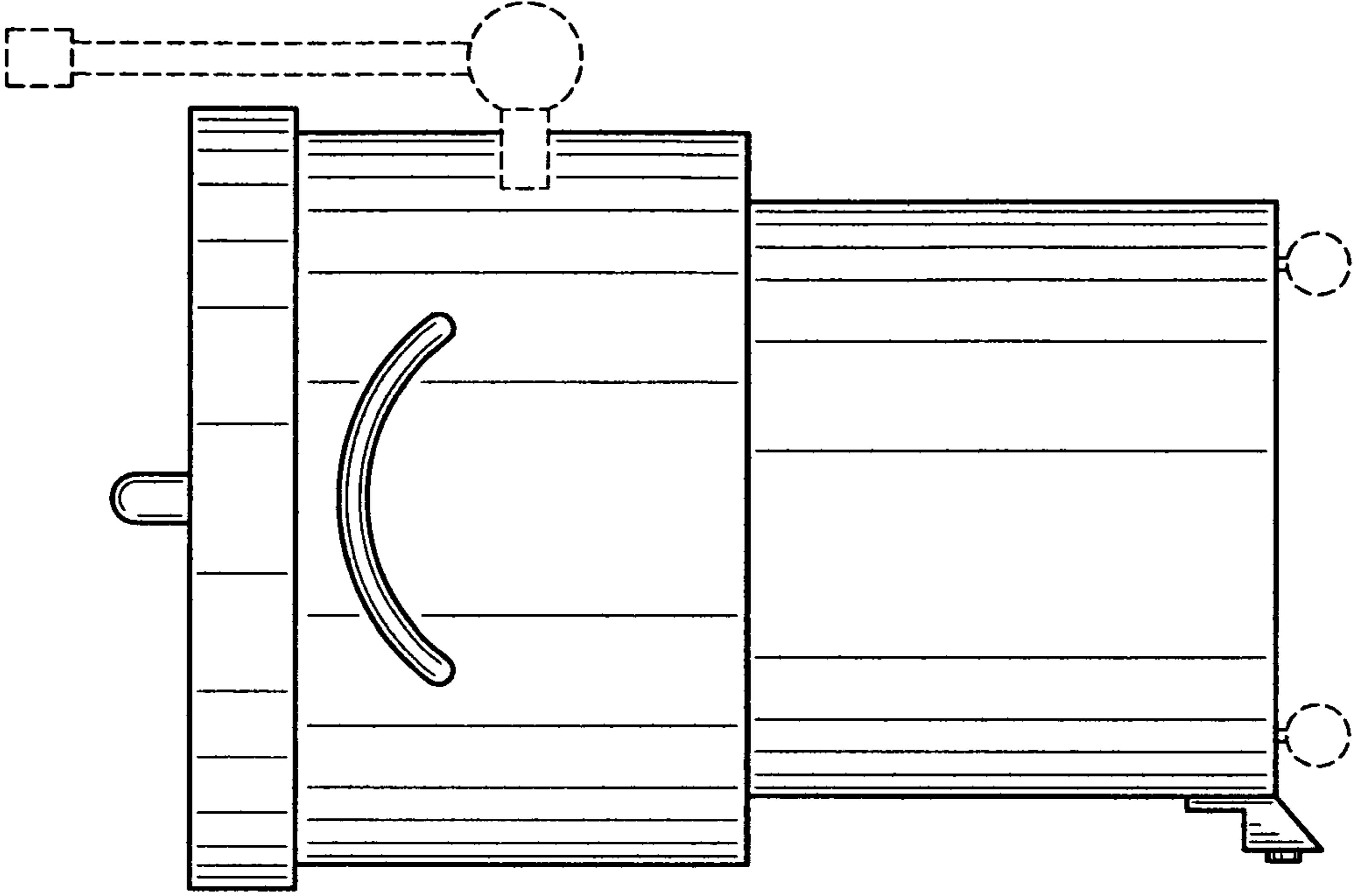


FIG. 3

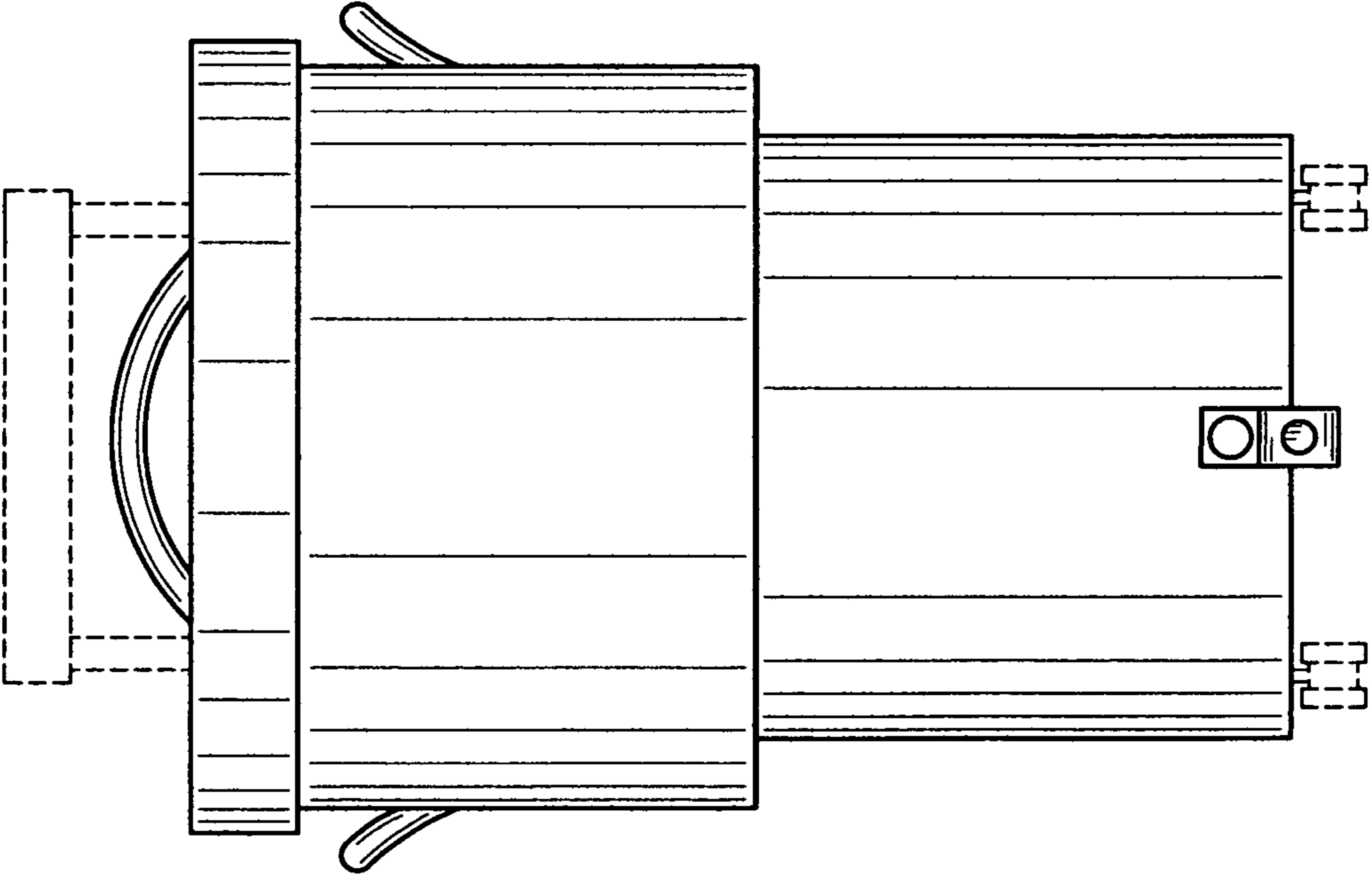


FIG. 2

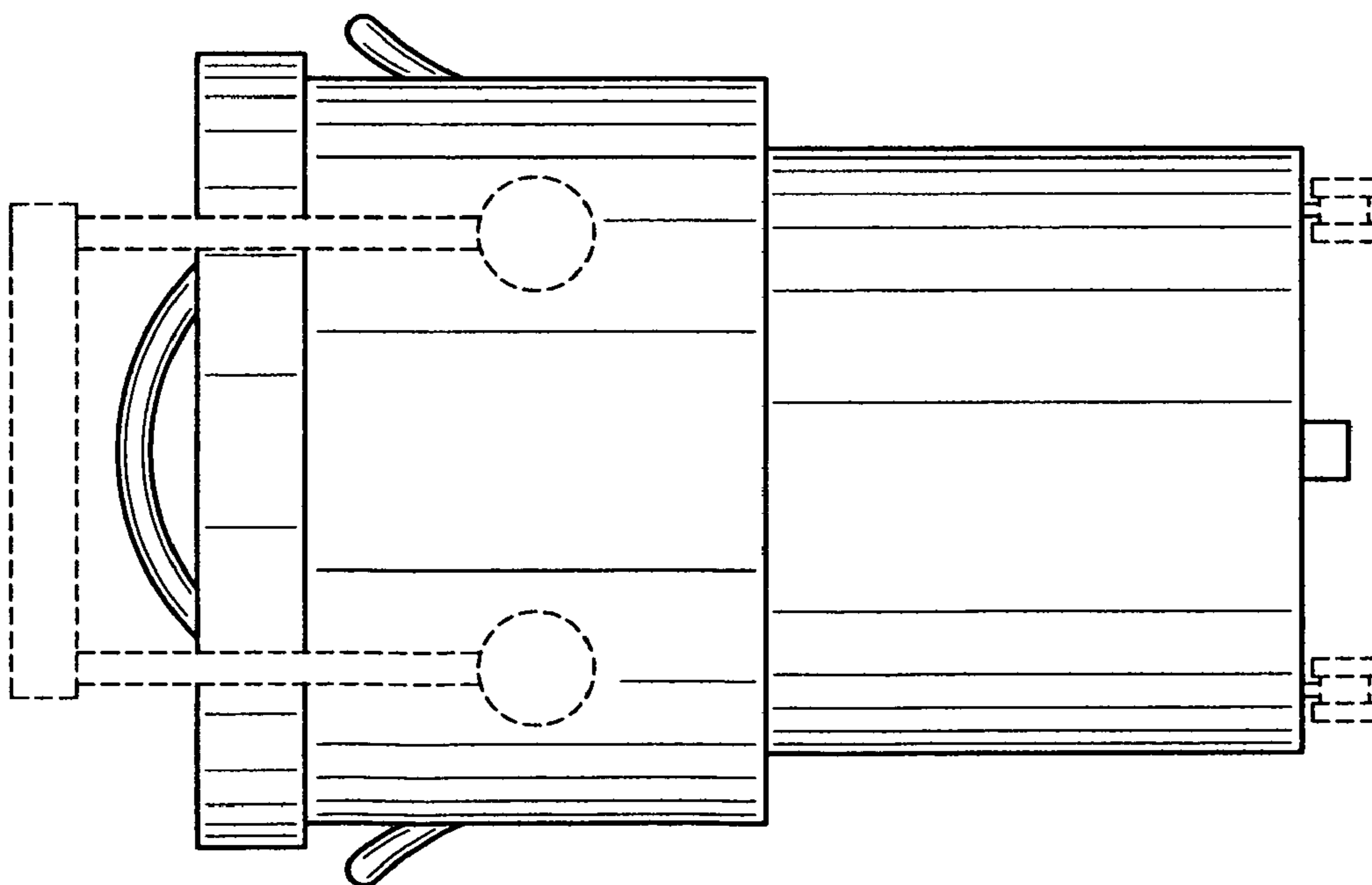


FIG. 4

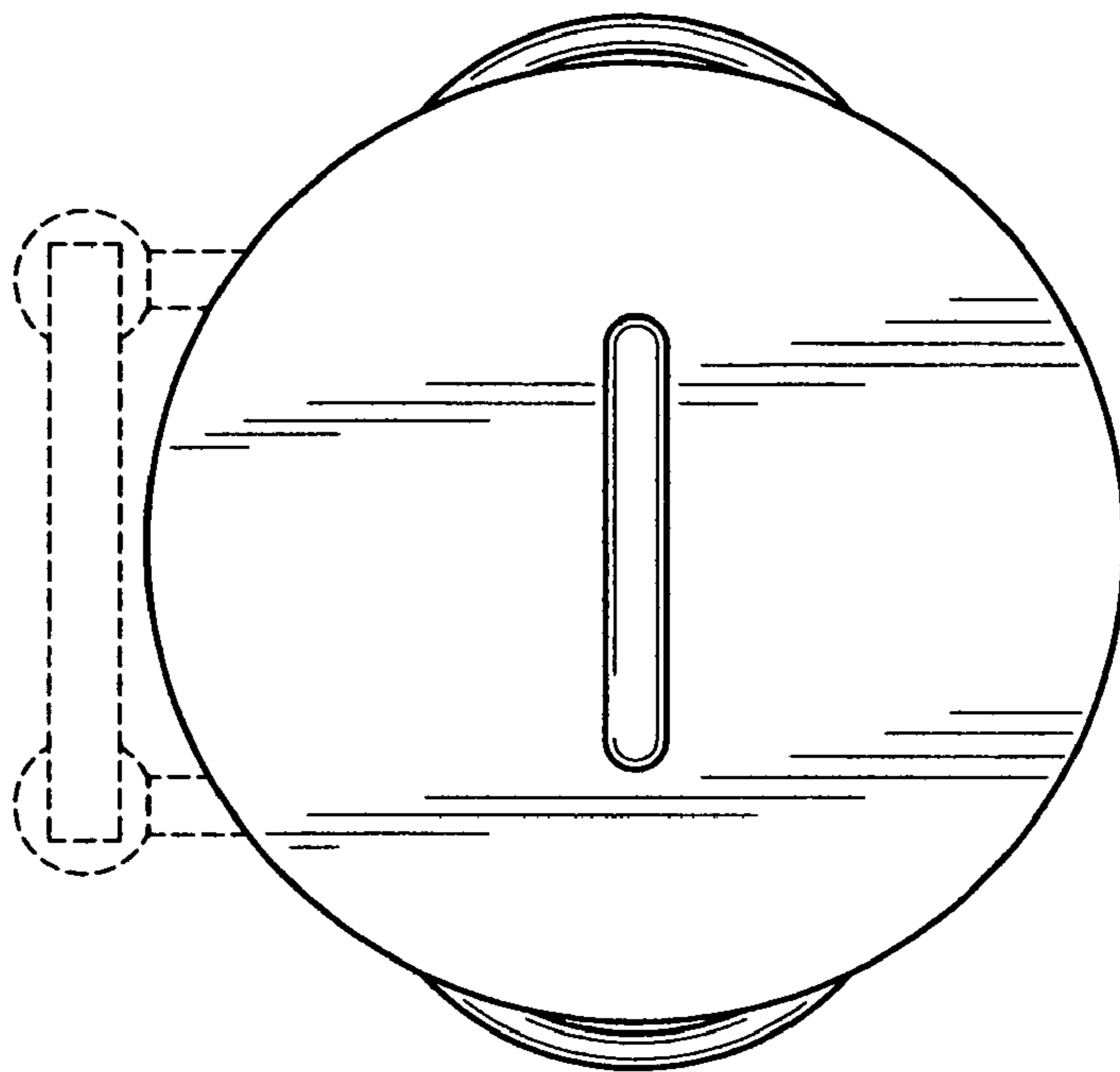


FIG. 5