



US00D652263S

(12) **United States Design Patent**
Whitman

(10) **Patent No.:** **US D652,263 S**

(45) **Date of Patent:** **** Jan. 17, 2012**

(54) **ROLLING COOLER WITH UMBRELLA**

(76) Inventor: **John Edwin Whitman**, High Point, NC
(US)

(**) Term: **14 Years**

(21) Appl. No.: **29/386,432**

(22) Filed: **Mar. 1, 2011**

(51) **LOC (9) Cl.** **07-01**

(52) **U.S. Cl.** **D7/605**

(58) **Field of Classification Search** D7/605-608;
D3/5, 10; D6/336, 335; 297/188.04, 188.1,
297/217.1; 280/47.18, 47.38, 43.14, 43.1,
280/43.24, 47.26, 47.34, 645, 651, 652;
62/457.1-457.9, 371, 372, 326, 258; 220/592.09,
220/592.01, 592.12, 592.17, 592.19
See application file for complete search history.

(56) **References Cited**

U.S. PATENT DOCUMENTS

3,930,662	A *	1/1976	Manner	280/652
4,724,681	A *	2/1988	Bartholomew et al.	62/239
D298,186	S *	10/1988	Brannon	D6/336
5,100,198	A *	3/1992	Baltzell	280/47.38
5,269,157	A *	12/1993	Ciminelli et al.	62/457.7
5,275,018	A *	1/1994	Lin et al.	62/457.7
D370,159	S *	5/1996	Fenton et al.	D7/605
D372,843	S *	8/1996	Trent et al.	D7/605
5,911,399	A	6/1999	Mannion	248/514
6,199,570	B1	3/2001	Patarra	135/16
6,216,488	B1	4/2001	Rucker	62/457.7
6,554,012	B2	4/2003	Patarra	135/16
D479,440	S *	9/2003	Kennedy	D7/605

D514,891	S	2/2006	Garcia et al.	D7/605
6,993,931	B1 *	2/2006	Hamilton	62/457.7
7,143,601	B1 *	12/2006	Jimenez	62/457.7
D545,633	S *	7/2007	Hussaini et al.	D7/605
D604,994	S *	12/2009	Greenlees et al.	D7/605

* cited by examiner

Primary Examiner — Terry Wallace

(74) *Attorney, Agent, or Firm* — MacCord Mason PLLC

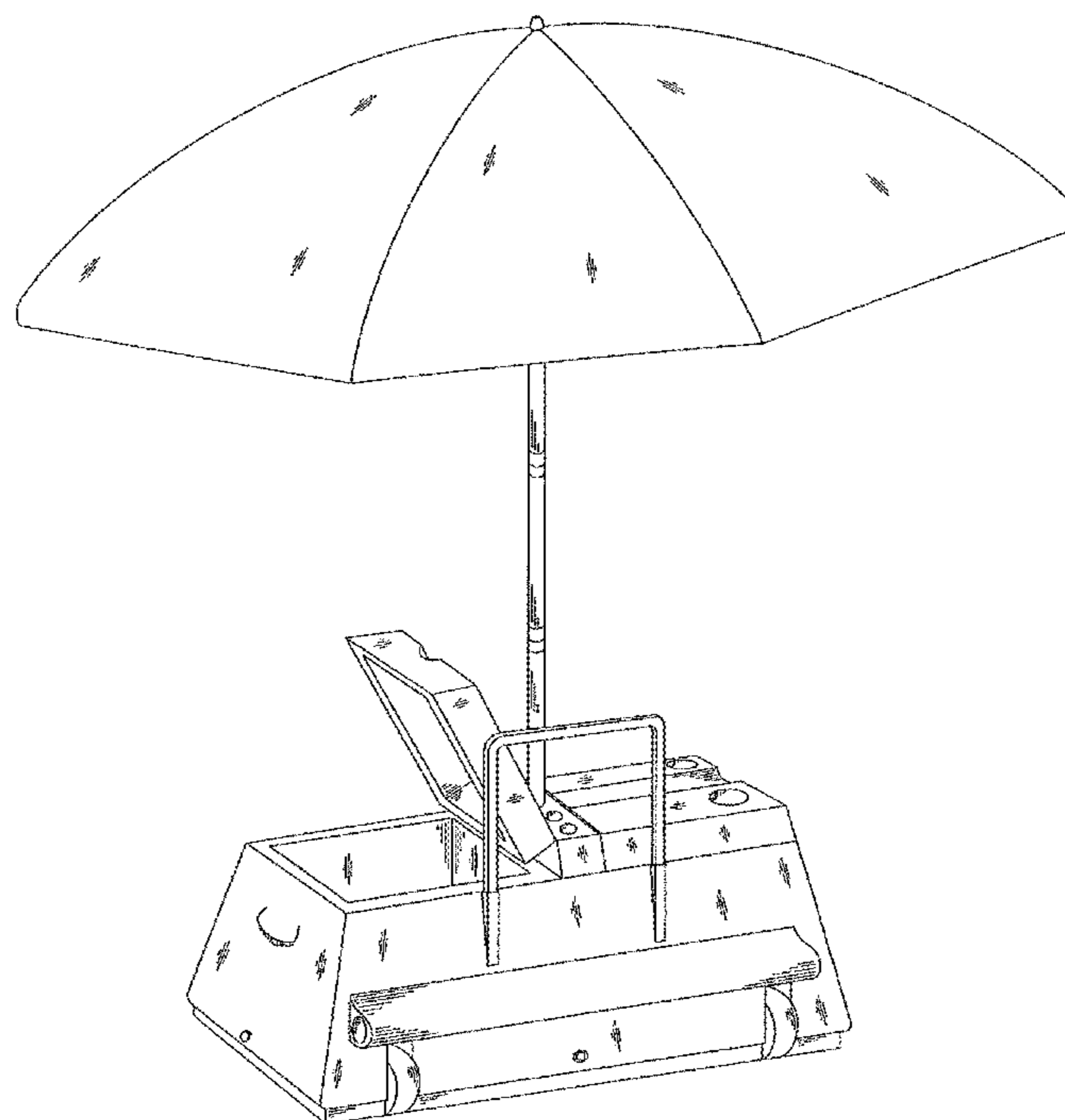
(57) **CLAIM**

The ornamental design for a rolling cooler with umbrella, as shown and described.

DESCRIPTION

FIG. 1 is a front perspective view of a rolling cooler with umbrella showing my new design with one compartment of the cooler open;
 FIG. 2 is a left view thereof, with only a portion of the umbrella shaft shown;
 FIG. 3 is a bottom view thereof;
 FIG. 4 is a back view thereof, with only a portion of the umbrella shaft shown;
 FIG. 5 is a back perspective view thereof, with one compartment of the cooler open;
 FIG. 6 is a right view thereof, with only a portion of the umbrella shaft shown;
 FIG. 7 is a front view thereof, with only a portion of the umbrella shaft shown; and,
 FIG. 8 is a top view thereof, without the umbrella.

1 Claim, 8 Drawing Sheets



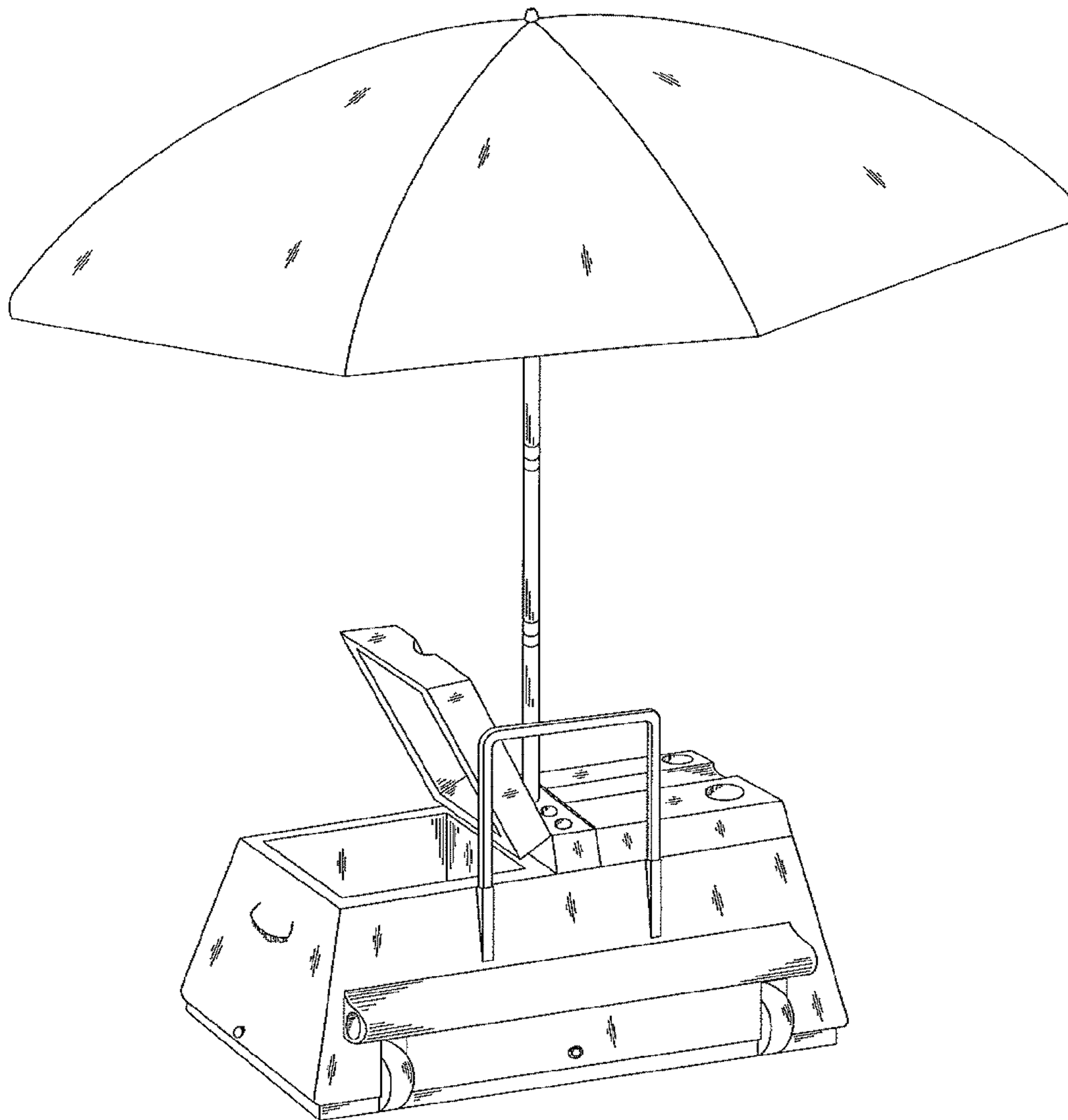


FIG. 1

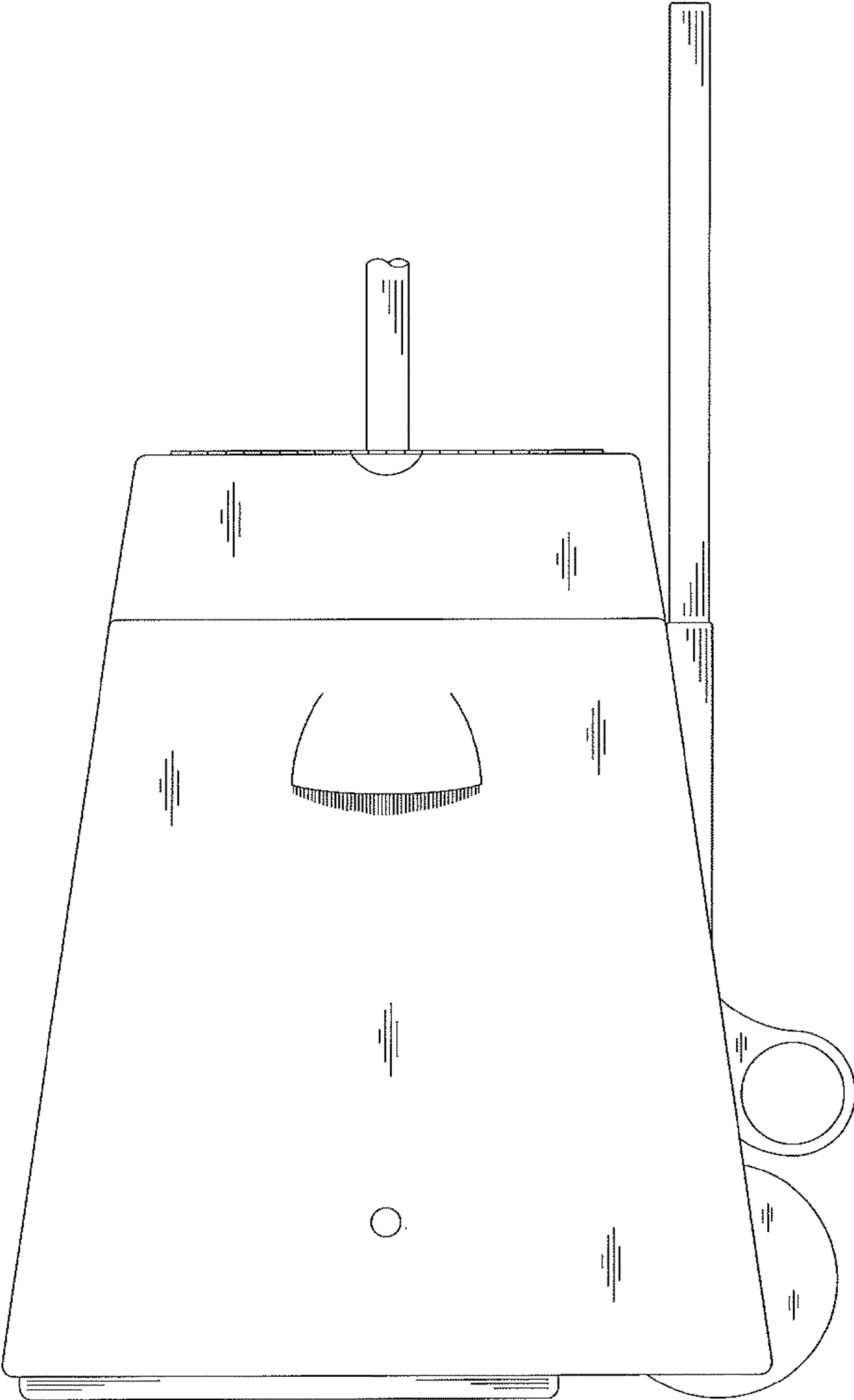


FIG. 2

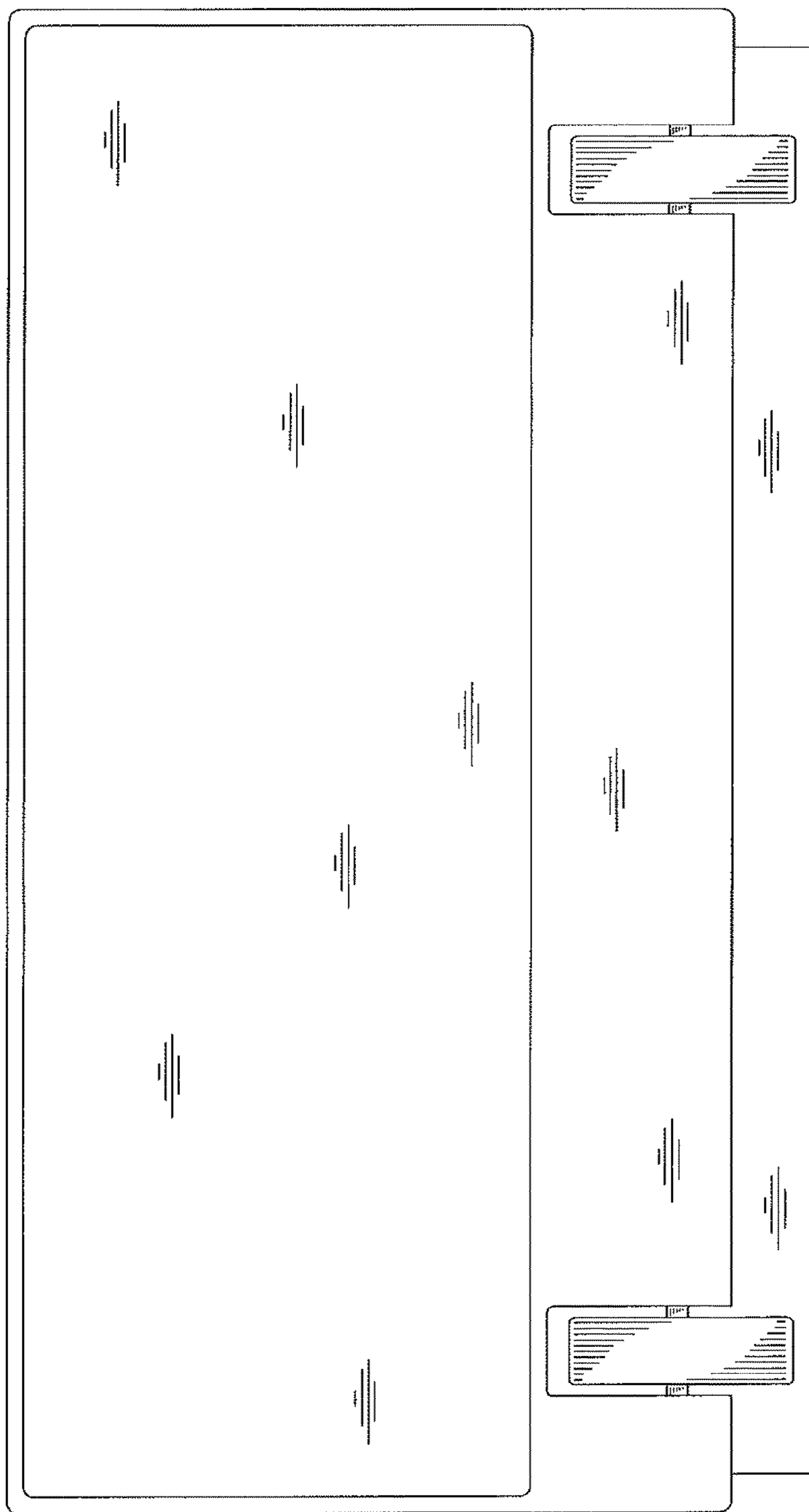


FIG. 3

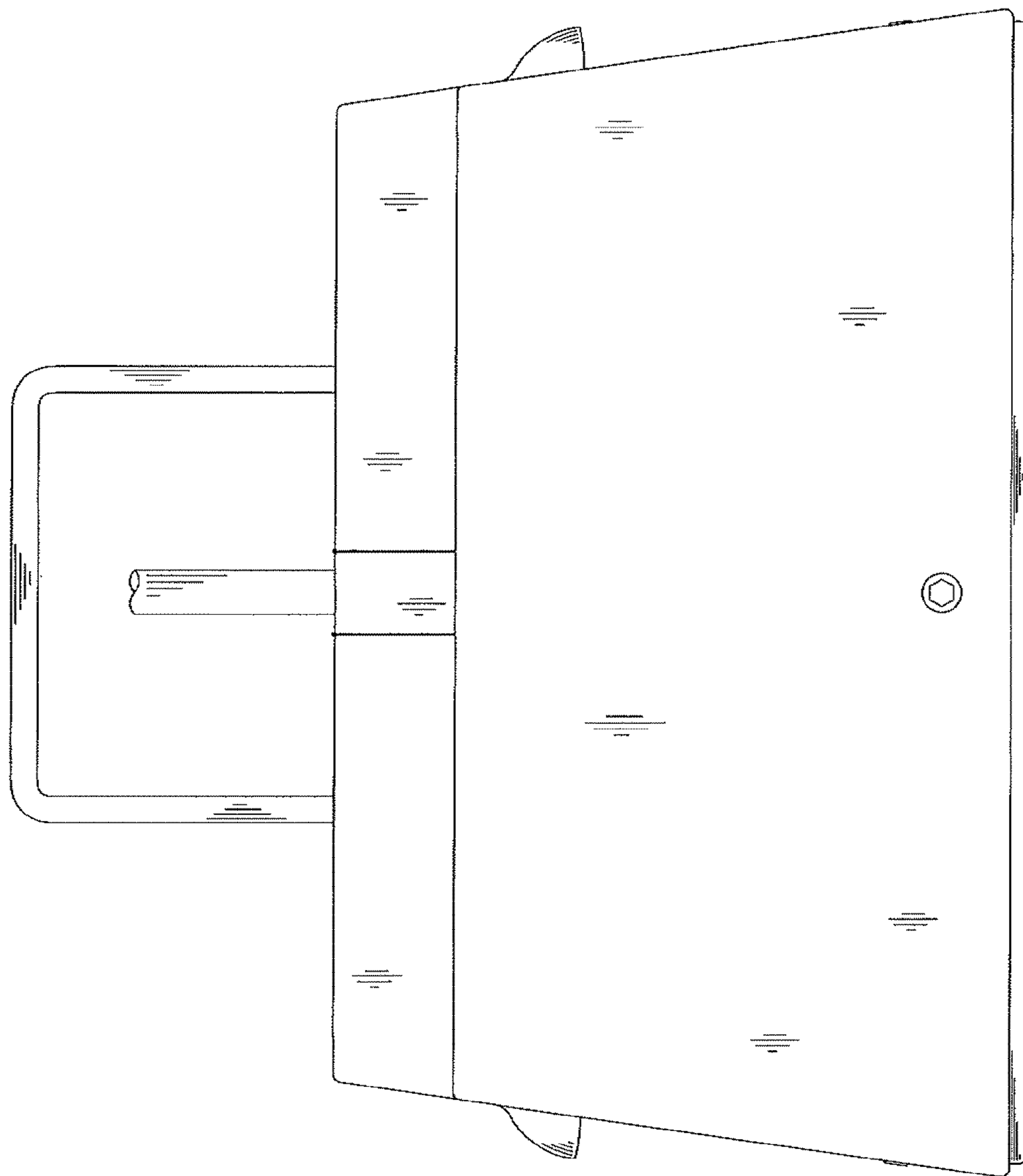


FIG. 4

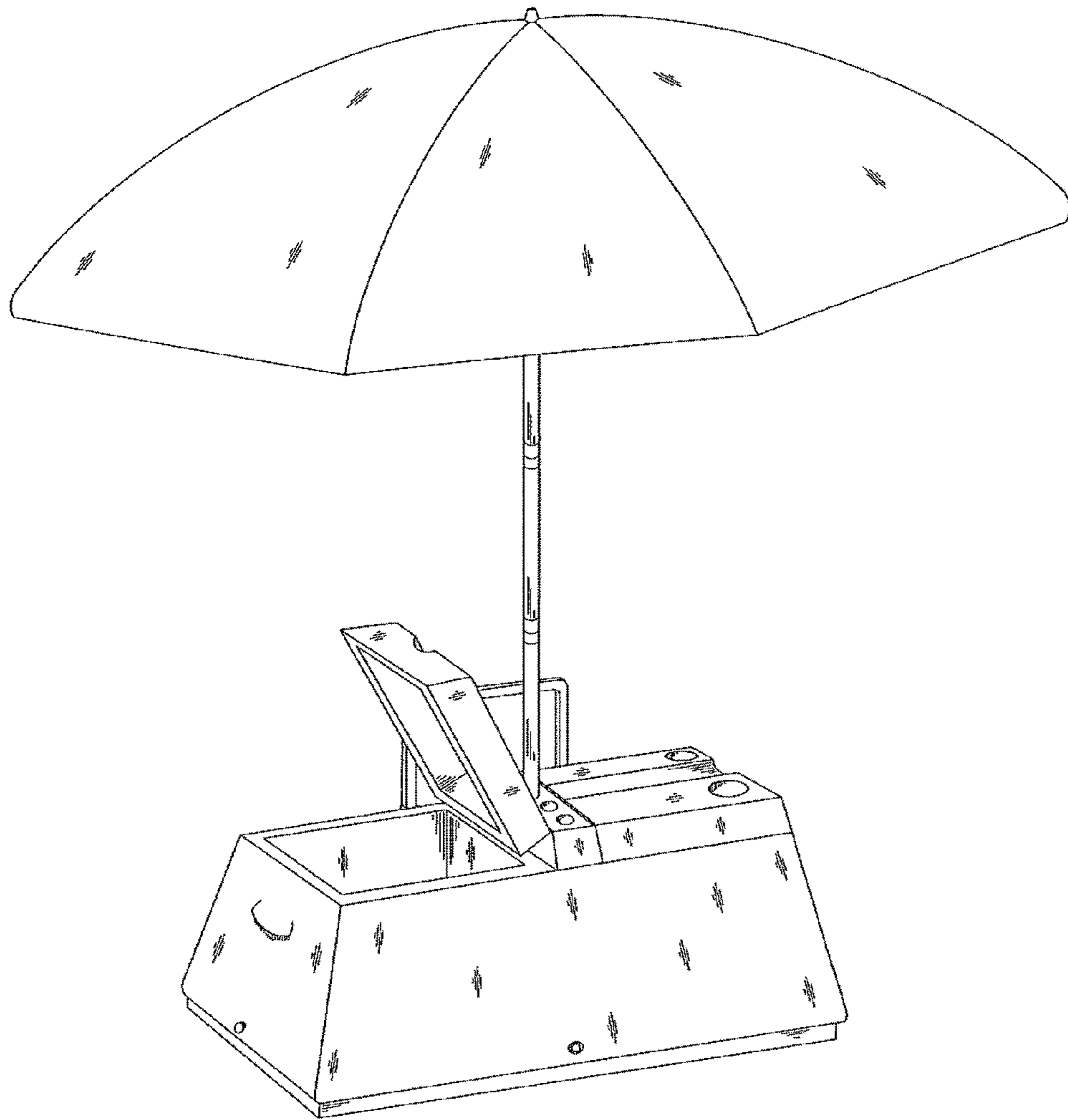


FIG. 5

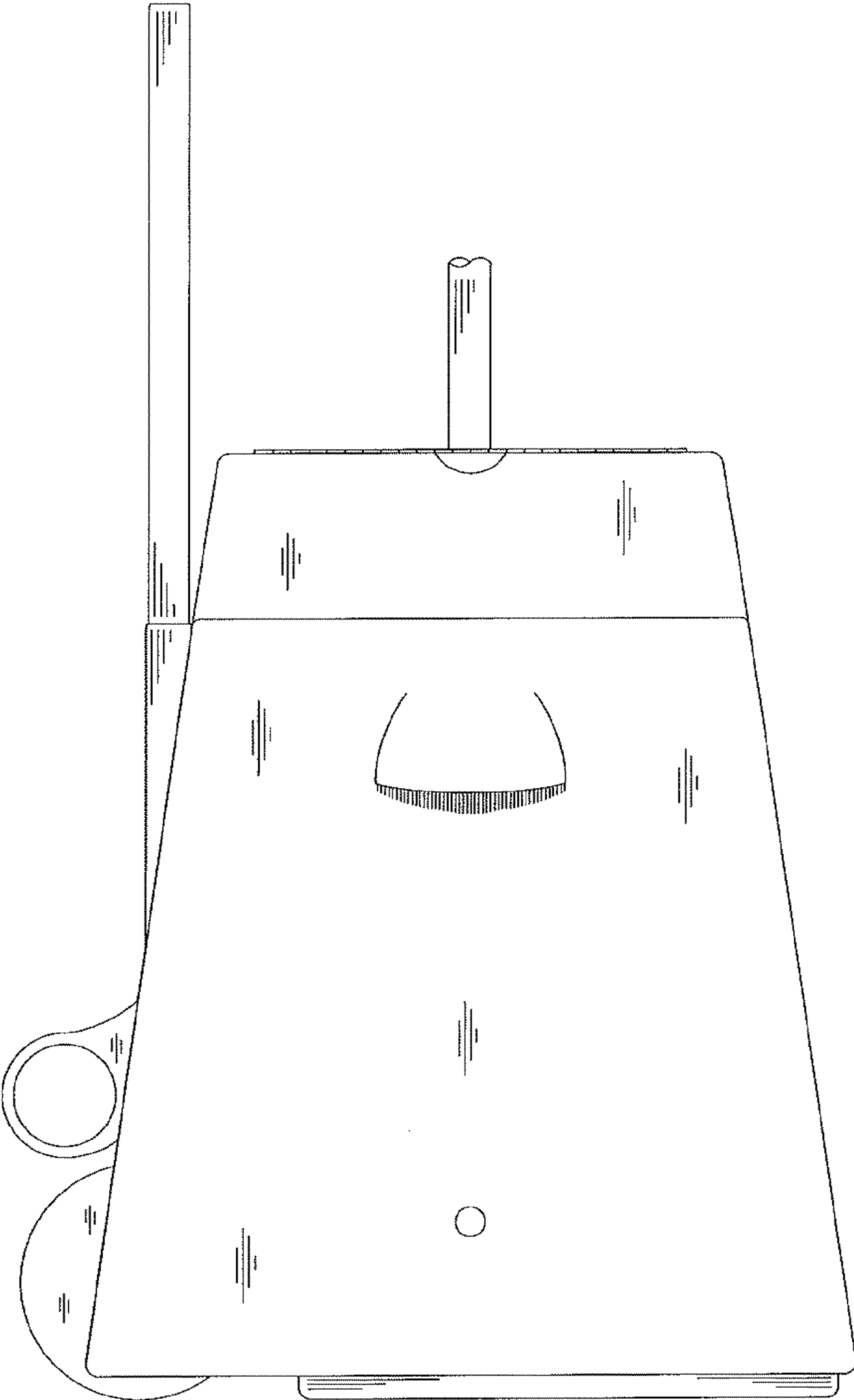


FIG. 6

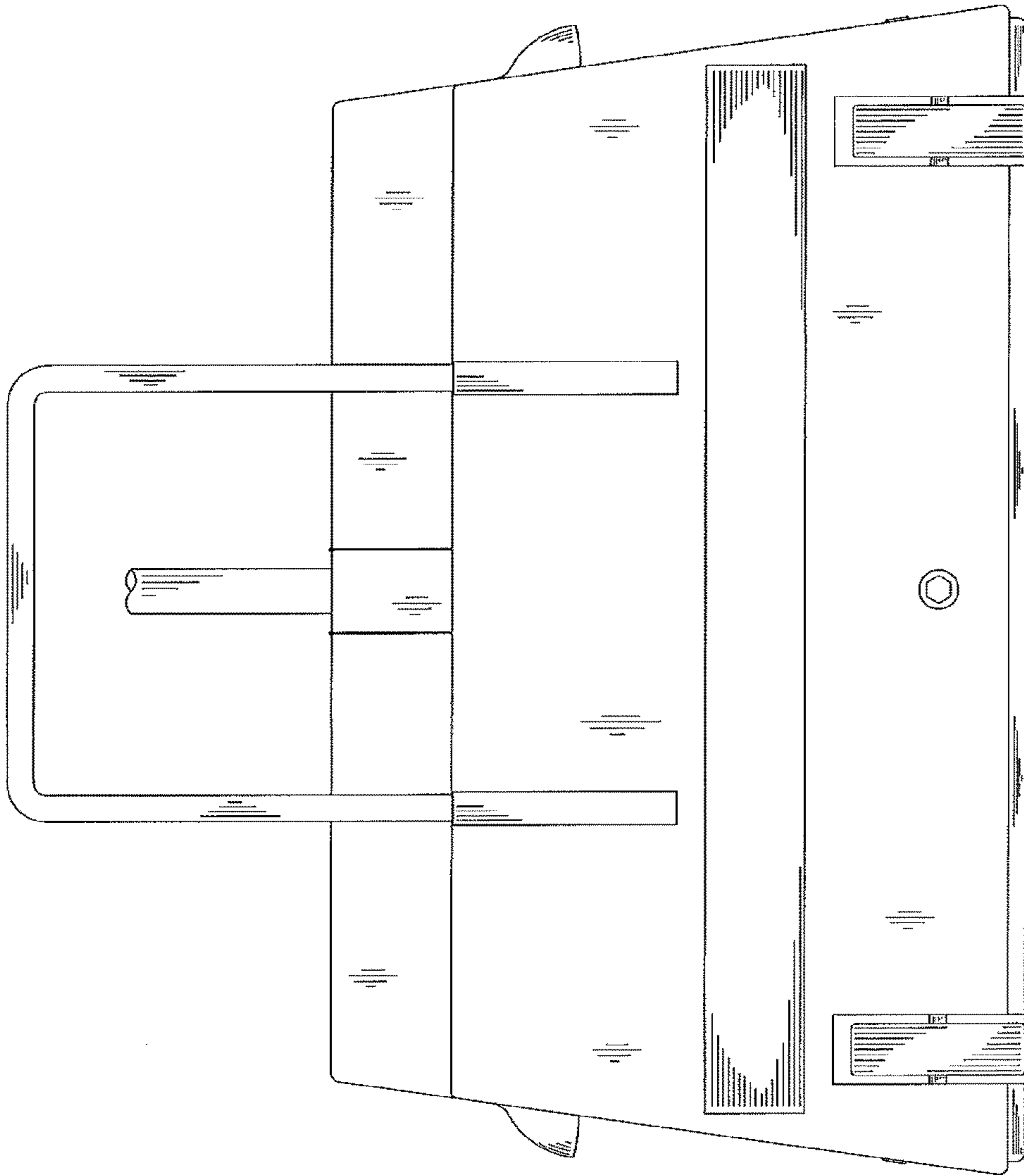


FIG. 7

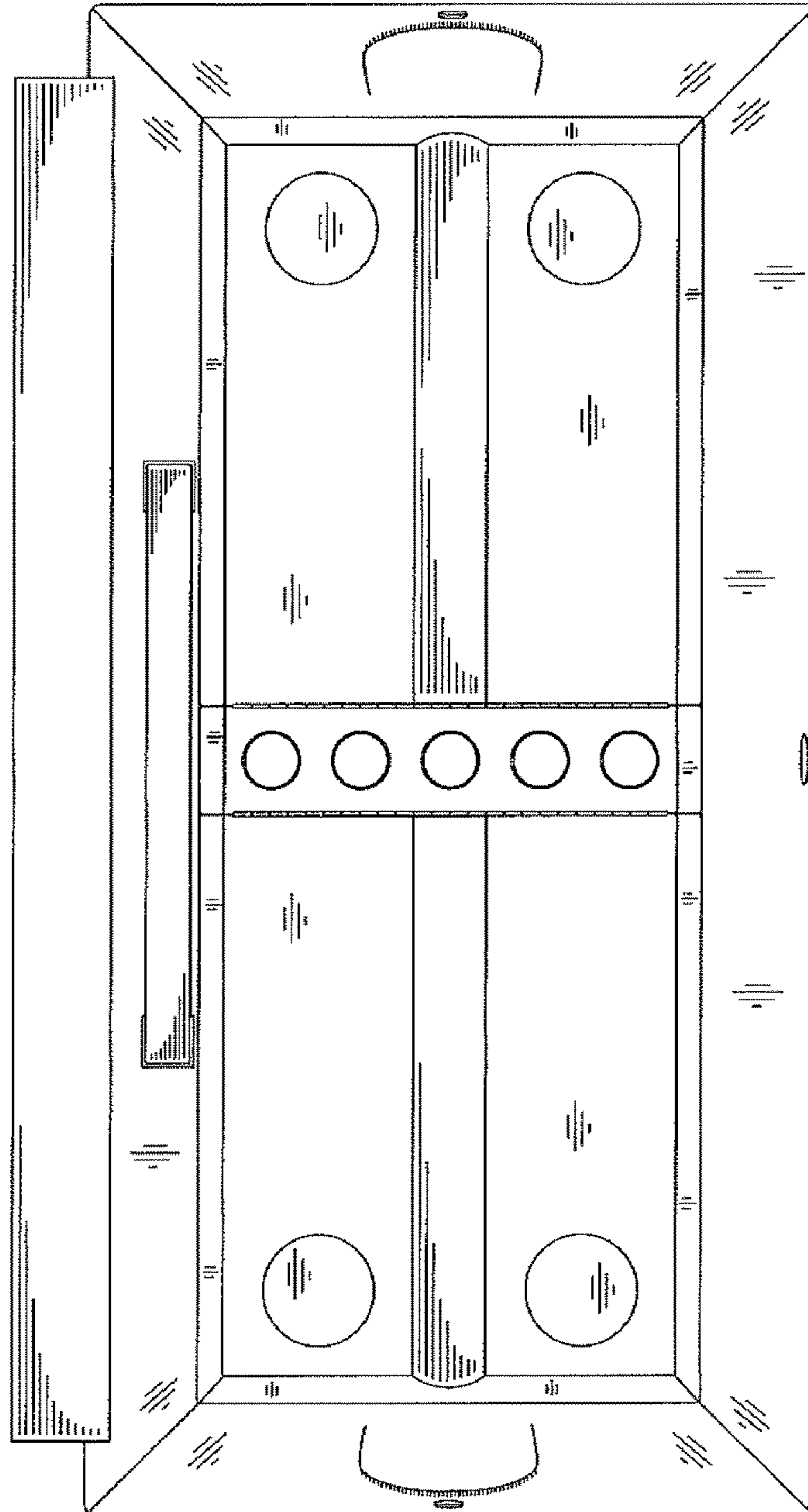


FIG. 8