



US00D652259S

(12) **United States Design Patent**
Hatcher et al.

(10) **Patent No.:** **US D652,259 S**
(45) **Date of Patent:** **** Jan. 17, 2012**

(54) **FOOD TRAY**
(75) Inventors: **Ashley Hatcher**, Columbus, GA (US);
B. Seth Sawyer, Columbus, GA (US)
(73) Assignee: **Masterbuilt Manufacturing, Inc.**,
Columbus, GA (US)
(**) Term: **14 Years**
(21) Appl. No.: **29/398,196**

D338,374 S 8/1993 Jacobson
5,368,183 A 11/1994 Singer
D363,857 S * 11/1995 Sussman D7/552.2
5,497,885 A * 3/1996 Sussman 206/563
D374,798 S * 10/1996 Pippins, Jr. D7/553.4
5,580,037 A 12/1996 Gore
D379,135 S * 5/1997 Vina D7/552.1
D399,095 S * 10/1998 Schmidt D7/553.2
6,029,843 A 2/2000 Kroscher et al.
D423,290 S * 4/2000 Green D7/553.5
D426,110 S * 6/2000 Schmidt D7/553.4

(Continued)

(22) Filed: **Jul. 27, 2011**
(51) **LOC (9) Cl.** **07-01**
(52) **U.S. Cl.** **D7/553.5**
(58) **Field of Classification Search** D7/553.4-553.5,
D7/553.1-553.3, 550.1, 554.1-554.2, 555,
D7/552.1, 553.8, 396.1, 701; 220/500, 527,
220/553, 555-557, 574-575, 495.03
See application file for complete search history.

FOREIGN PATENT DOCUMENTS

FR 2 653 705 5/1991
(Continued)

OTHER PUBLICATIONS

Notification of Transmittal of the International Search Report and the
Written Opinion of the International Searching Authority, or the
Declaration, dated Jul. 23, 2008.

(56) **References Cited**

U.S. PATENT DOCUMENTS

224,632 A 2/1880 Berry
2,878,932 A 3/1959 Martire
D195,984 S 8/1963 White
3,231,718 A 1/1966 Vasile
3,305,124 A 2/1967 Whiteford
D216,869 S 3/1970 Britt
3,808,084 A 4/1974 Doty
D235,301 S 6/1975 Mountain, Jr. et al.
D242,515 S 11/1976 Shumrak
4,005,745 A 2/1977 Colato et al.
4,019,022 A 4/1977 Seider et al.
4,093,041 A 6/1978 Davis
4,194,109 A 3/1980 Springer
D255,527 S 6/1980 Seager
D264,514 S 5/1982 Kordan
D270,506 S * 9/1983 Thorne D6/574
4,737,390 A 4/1988 Fricano et al.
4,744,597 A 5/1988 Bauman et al.
D300,496 S 4/1989 Childress
D326,798 S 6/1992 Grossman et al.
D335,796 S 5/1993 Barnes
D335,797 S 5/1993 DeGrow

Primary Examiner — Elizabeth Albert
Assistant Examiner — Kelley Donnelly
(74) *Attorney, Agent, or Firm* — Hunton & Williams LLP

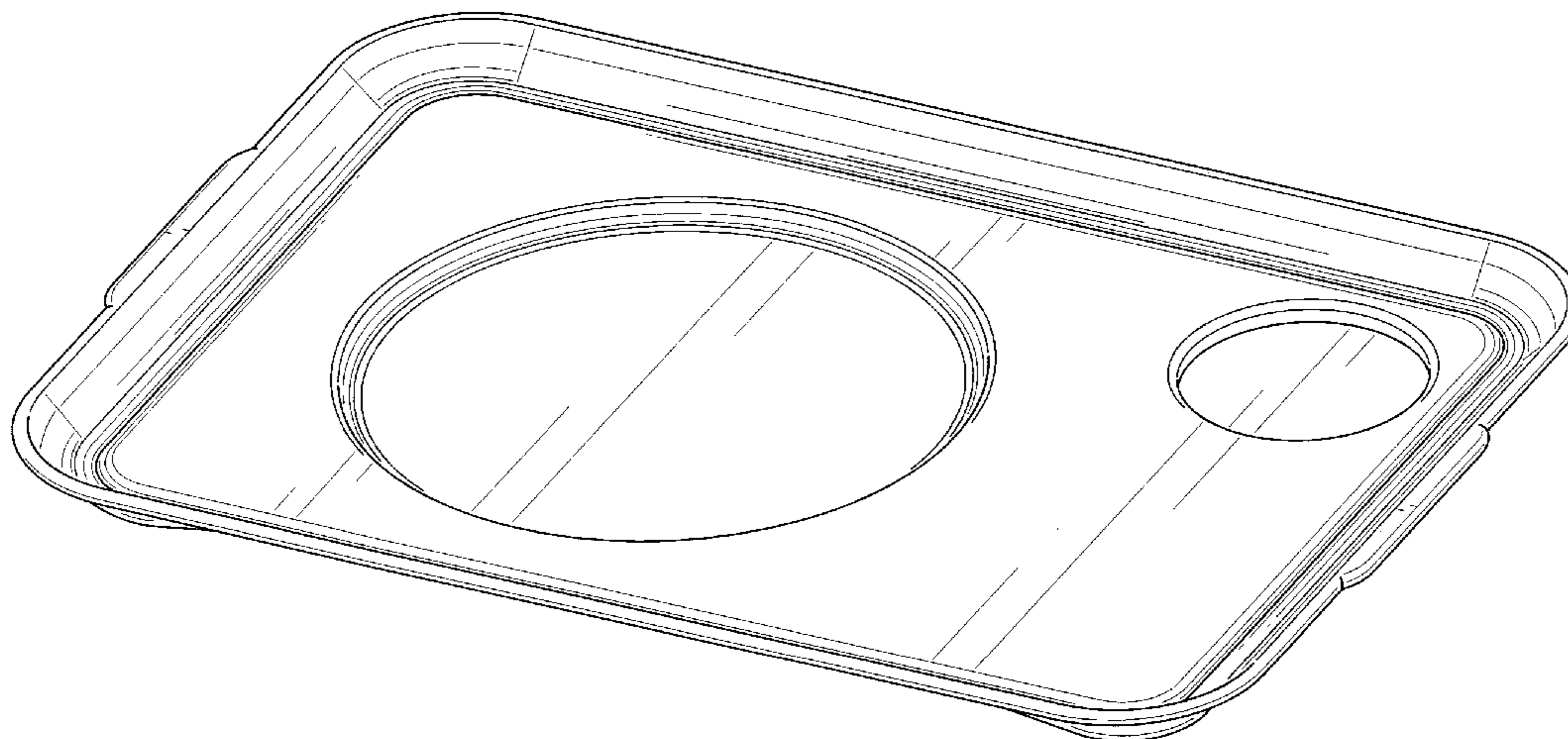
(57) **CLAIM**

The ornamental design for a food tray, as shown and
described.

DESCRIPTION

FIG. 1 is a perspective view of a food tray incorporating the
new design;
FIG. 2 is a bottom perspective view thereof;
FIG. 3 is a front view thereof;
FIG. 4 is a rear view thereof;
FIG. 5 is a side view thereof;
FIG. 6 is an opposite side view thereof;
FIG. 7 is a top plan view thereof; and,
FIG. 8 is a bottom view thereof.

1 Claim, 6 Drawing Sheets



US D652,259 S

Page 2

U.S. PATENT DOCUMENTS

D433,283 S * 11/2000 Thomas D7/546
D451,347 S 12/2001 Kleckauskas et al.
D470,712 S * 2/2003 Swinford et al. D7/360
D472,767 S 4/2003 Gebhardt et al.
6,814,235 B2 * 11/2004 Wang 206/557
D505,833 S * 6/2005 Ahearn D7/553.4
D526,851 S 8/2006 Groff et al.
D545,523 S * 6/2007 Goldberg et al. D34/11
D547,597 S * 7/2007 Levy et al. D7/354
D560,099 S * 1/2008 Hatcher D7/554.3
D576,449 S * 9/2008 Boudewijns D7/553.5
D581,203 S * 11/2008 Simon et al. D7/354

D590,655 S * 4/2009 Freeman D7/360
D599,610 S * 9/2009 Logan D7/354
D604,099 S * 11/2009 Mishan D7/409
D608,150 S * 1/2010 Lilly D7/552.1
D623,902 S * 9/2010 Henderson et al. D7/553.2
D634,584 S * 3/2011 Bergkvist D7/553.7
D642,408 S * 8/2011 Pirkl D6/511
2003/0205645 A1 11/2003 Kaposi

FOREIGN PATENT DOCUMENTS

WO WO 94/14361 7/1994

* cited by examiner

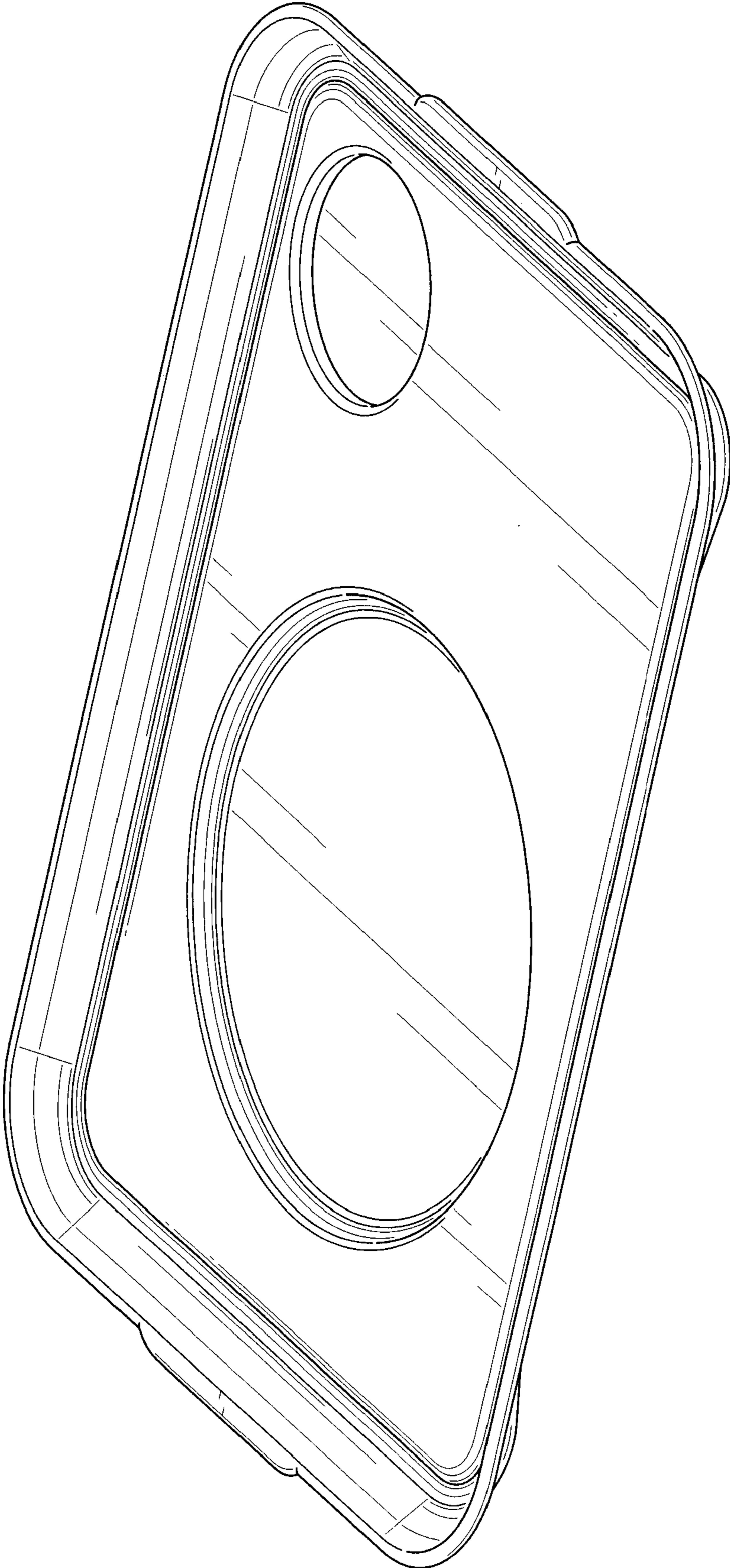


FIG. 1

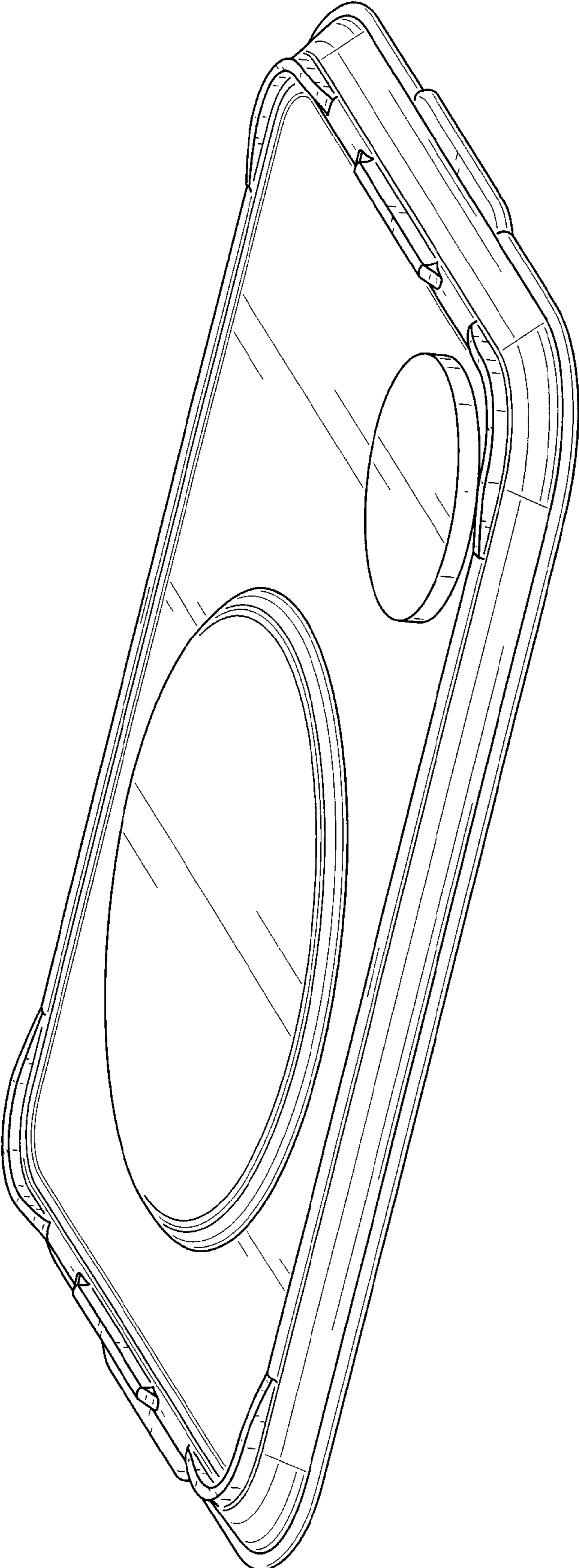


FIG. 2



FIG. 3



FIG. 4

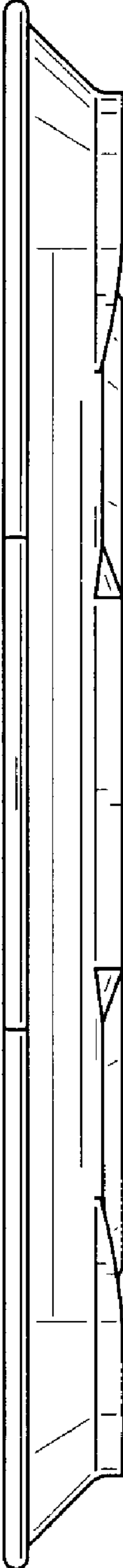


FIG. 5



FIG. 6

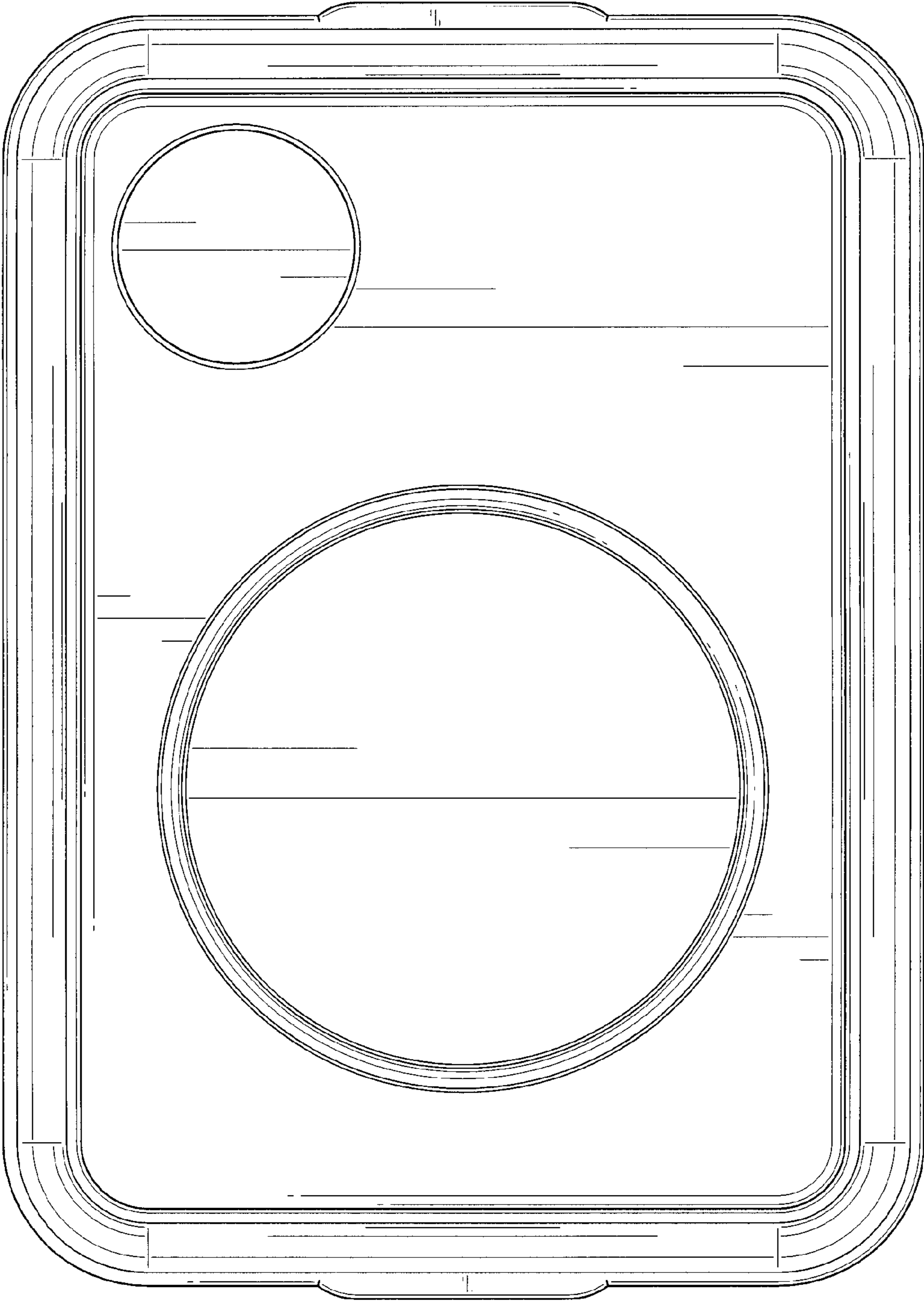


FIG. 7

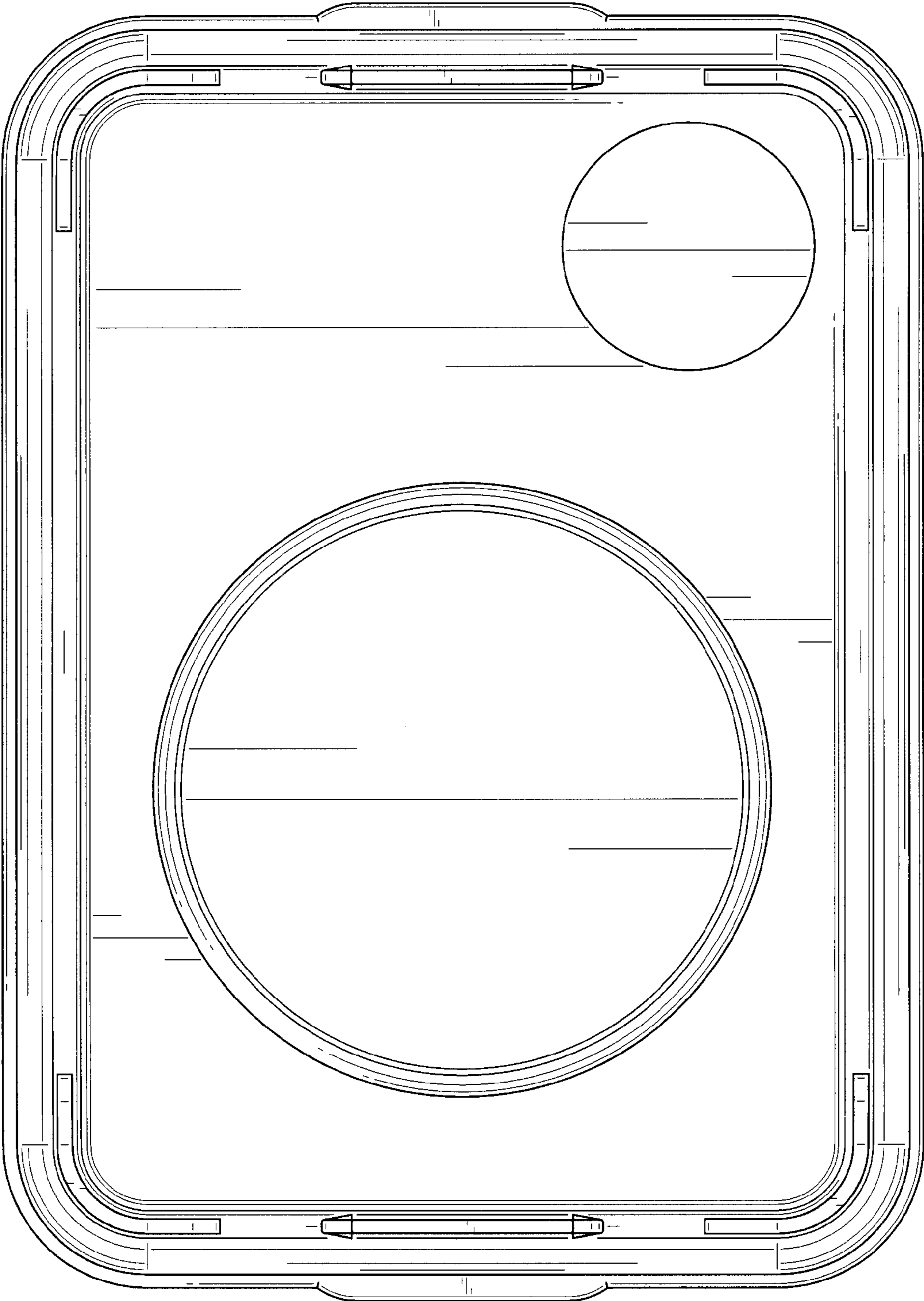


FIG. 8