



US00D652258S

(12) **United States Design Patent**  
**Lee et al.**

(10) **Patent No.:** **US D652,258 S**  
(45) **Date of Patent:** **\*\* Jan. 17, 2012**

(54) **MIXING BOWL**

(75) Inventors: **Stuart Harvey Lee**, Forest Hills, NY  
(US); **Jochen Schaeppers**, New York, NY  
(US); **Christian von Heifner**, Brooklyn,  
NY (US)

(73) Assignee: **Robinson Home Products Inc.**, Buffalo,  
NY (US)

(\*\*) Term: **14 Years**

(21) Appl. No.: **29/397,761**

(22) Filed: **Jul. 20, 2011**

(51) **LOC (9) Cl.** ..... **07-01**

(52) **U.S. Cl.** ..... **D7/543; D7/586**

(58) **Field of Classification Search** ..... D7/545,  
D7/586, 500, 543, 566, 620, 629, 552.1, 354,  
D7/584, 360, 361; 220/751, 23.4, 574; D9/432;  
D30/127

See application file for complete search history.

(56) **References Cited**

**U.S. PATENT DOCUMENTS**

D222,177 S \* 10/1971 Tondu ..... D7/543  
D347,969 S \* 6/1994 Cousins et al. .... D7/548  
5,423,452 A \* 6/1995 Tardif ..... 220/574  
D477,186 S \* 7/2003 de Groote et al. .... D7/543  
D484,363 S \* 12/2003 de Groote et al. .... D7/543

D522,313 S \* 6/2006 Oyler et al. .... D7/543  
D522,809 S \* 6/2006 Kusuma et al. .... D7/602  
D524,603 S \* 7/2006 Kishbaugh et al. .... D7/543  
D538,599 S \* 3/2007 Miller ..... D7/586  
D545,629 S \* 7/2007 Mellen et al. .... D7/543  
D564,138 S \* 3/2008 Dunn et al. .... D30/129  
D571,614 S \* 6/2008 Curtin ..... D7/545  
D639,115 S \* 6/2011 Stewart et al. .... D7/543  
D643,248 S \* 8/2011 Schmidt ..... D7/505  
D645,705 S \* 9/2011 Shamoon ..... D7/543  
2005/0127073 A1 \* 6/2005 Kusuma et al. .... 220/6

\* cited by examiner

*Primary Examiner* — Cynthia Underwood

(74) *Attorney, Agent, or Firm* — Brian B. Shaw, Esq.;  
Stephen B. Salai, Esq.; Harter Secrest & Emery LLP

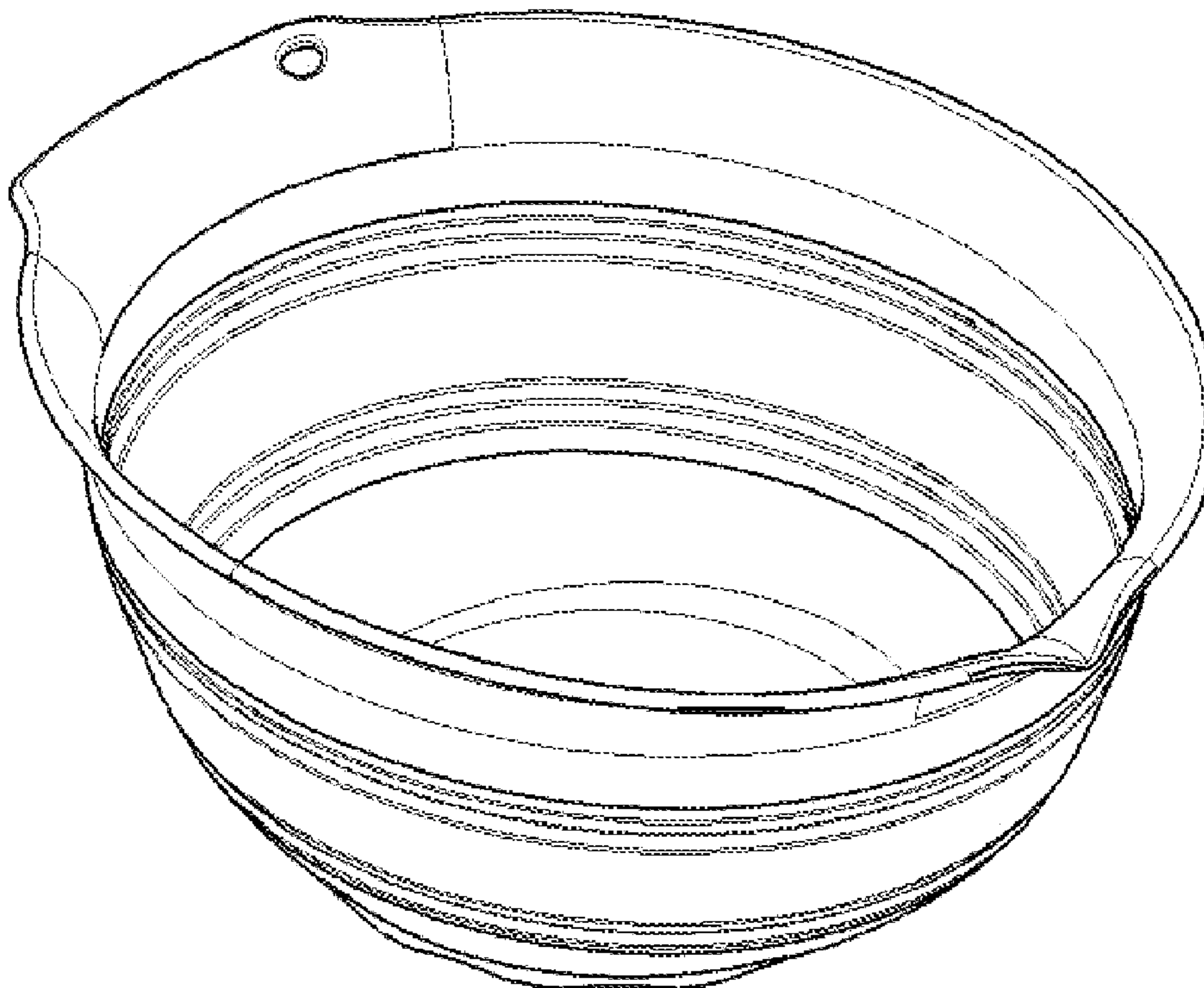
(57) **CLAIM**

The ornamental design for a mixing bowl, as shown and  
described.

**DESCRIPTION**

FIG. 1 is a perspective view of a mixing bowl.  
FIG. 2 is a top plan view of the mixing bowl of FIG. 1.  
FIG. 3 is a rear elevation view of the mixing bowl of FIG. 1.  
FIG. 4 is a left elevation view of the mixing bowl of FIG. 1.  
FIG. 5 is a front elevation view of the mixing bowl of FIG. 1.  
FIG. 6 is a right elevation view of the mixing bowl of FIG. 1;  
and,  
FIG. 7 is a bottom plan view of the mixing bowl of FIG. 1.

**1 Claim, 3 Drawing Sheets**



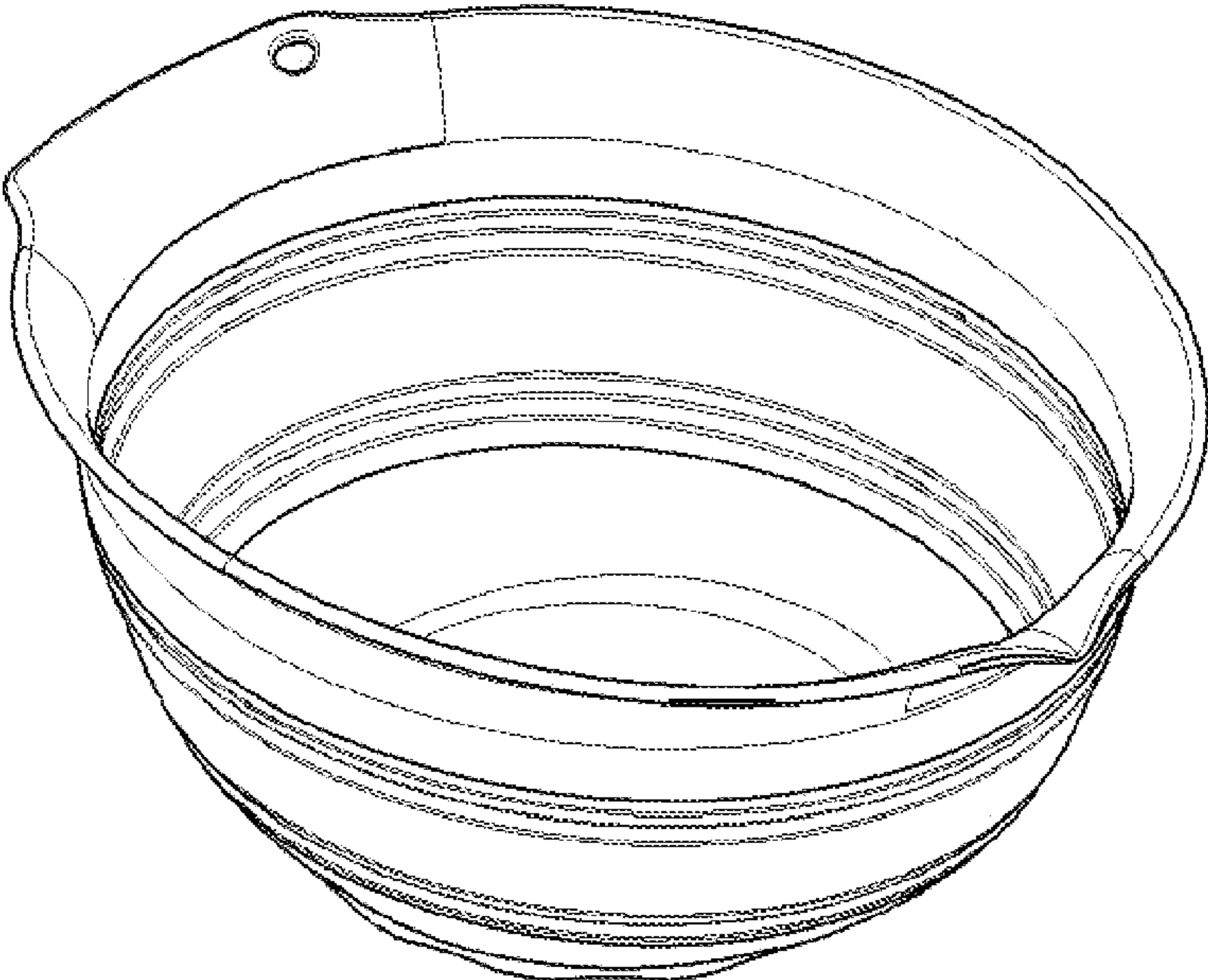


FIG. 1

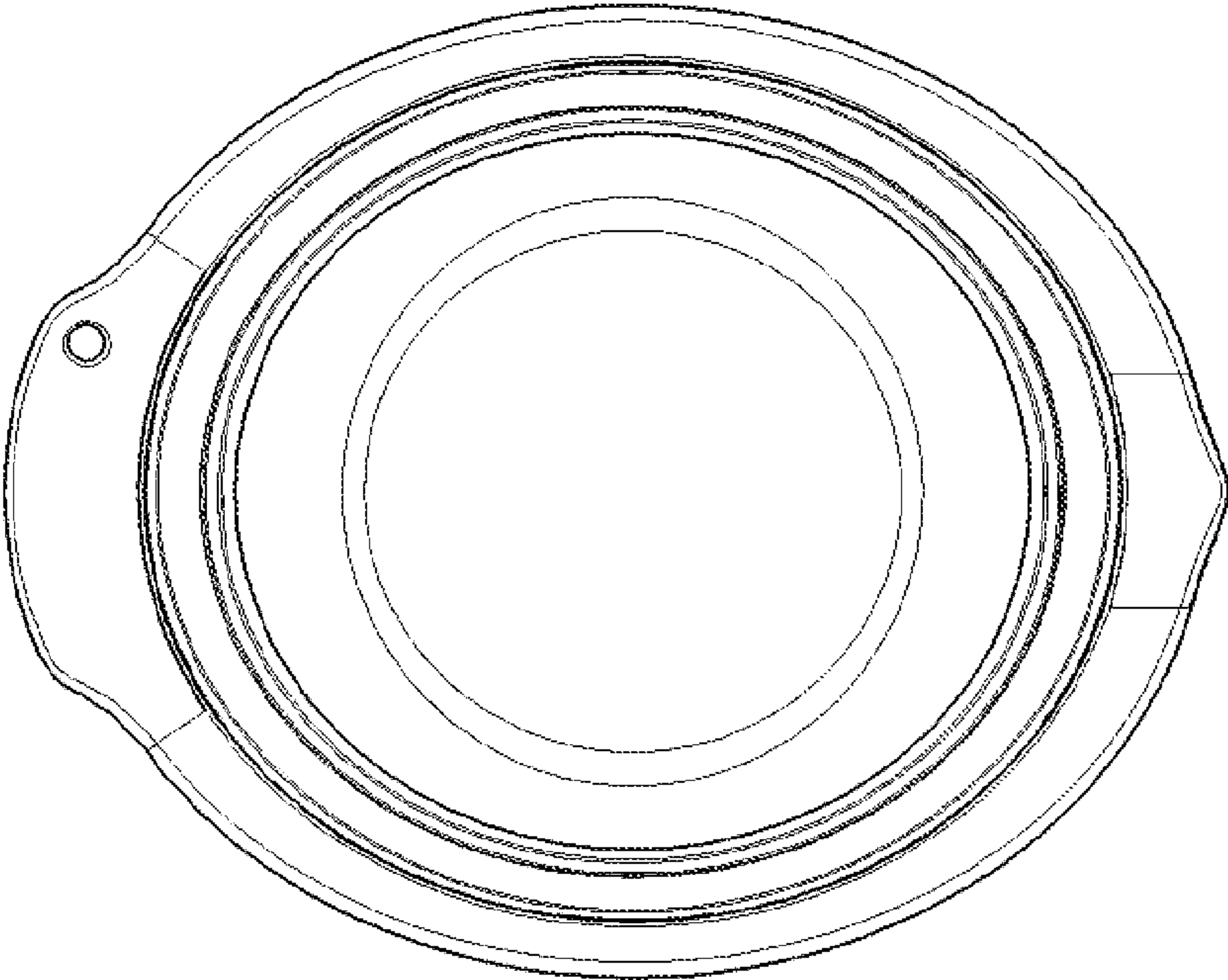


FIG. 2

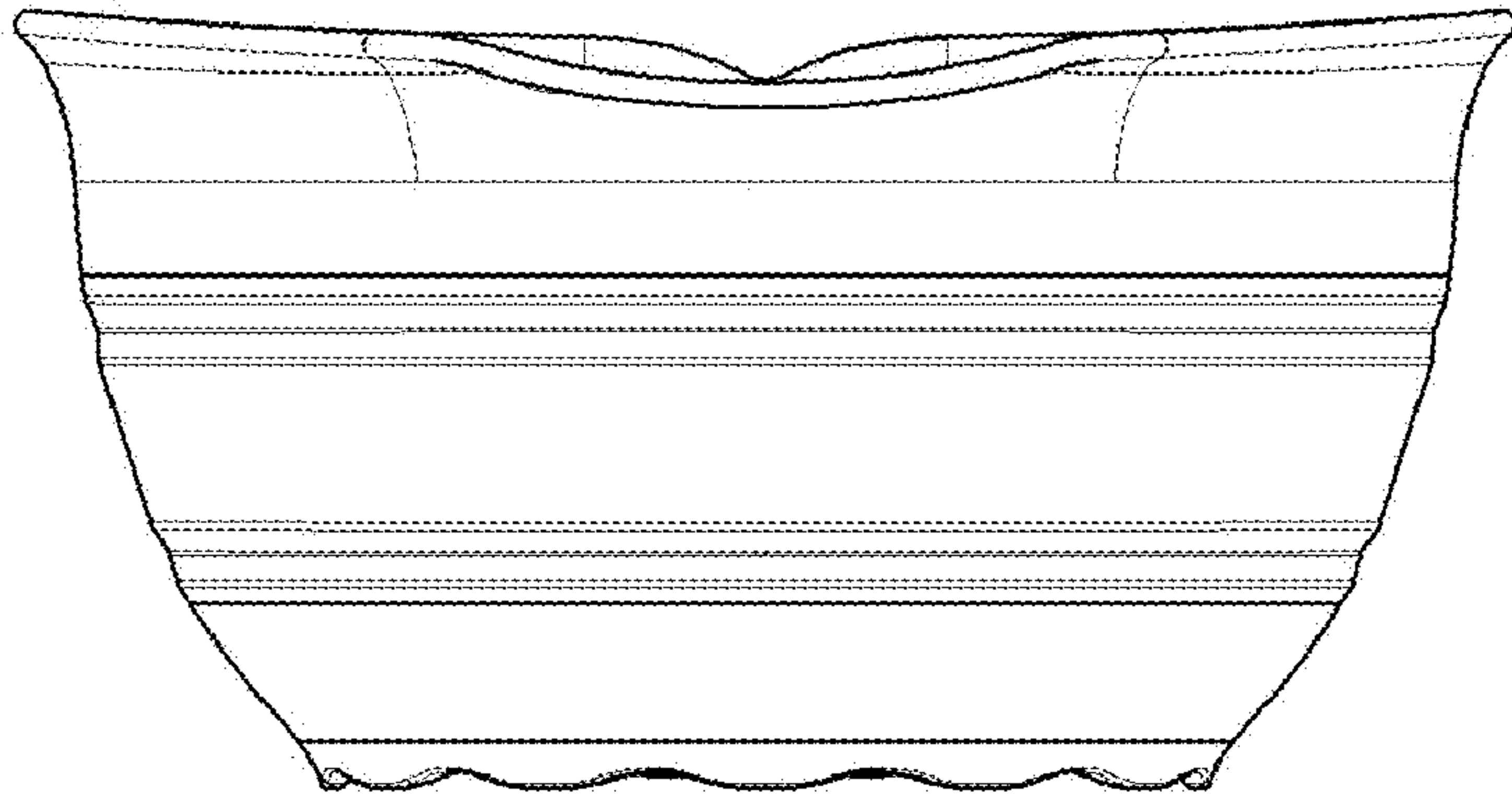


FIG. 3

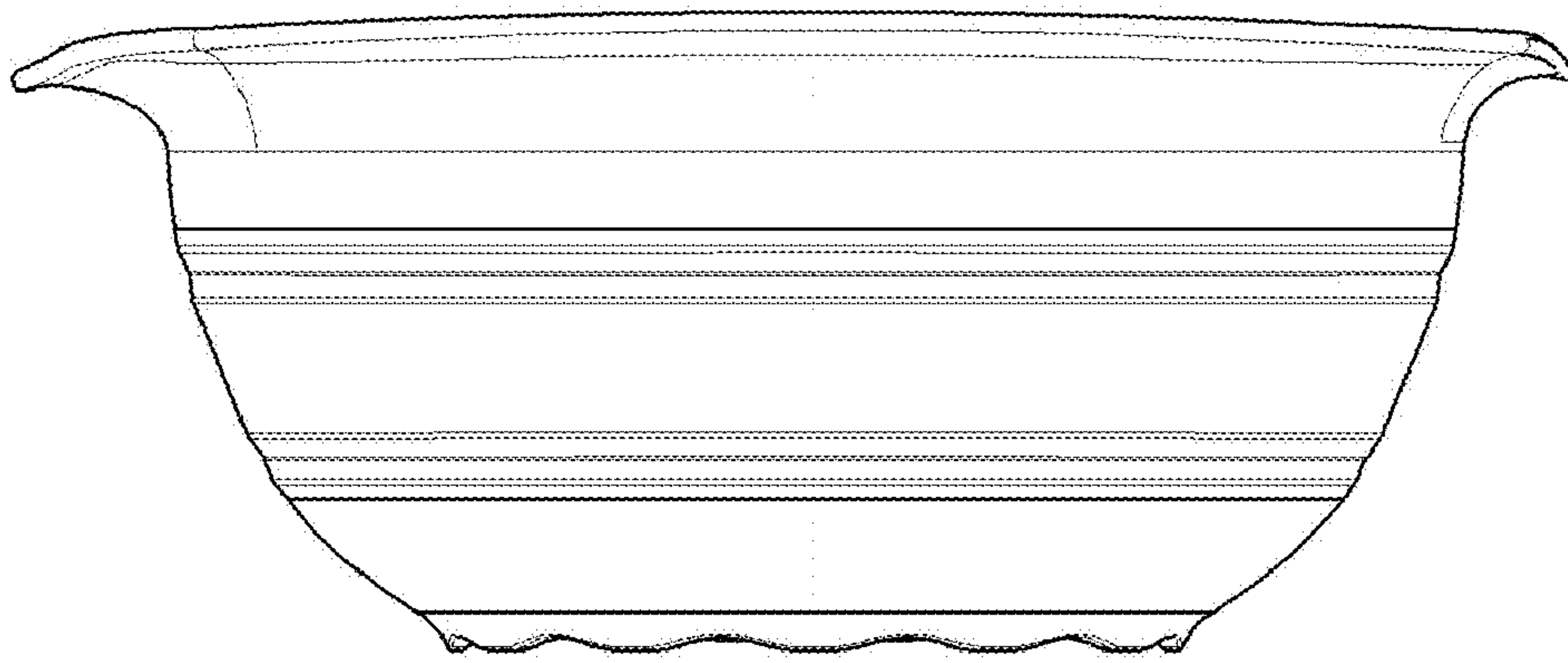


FIG. 4

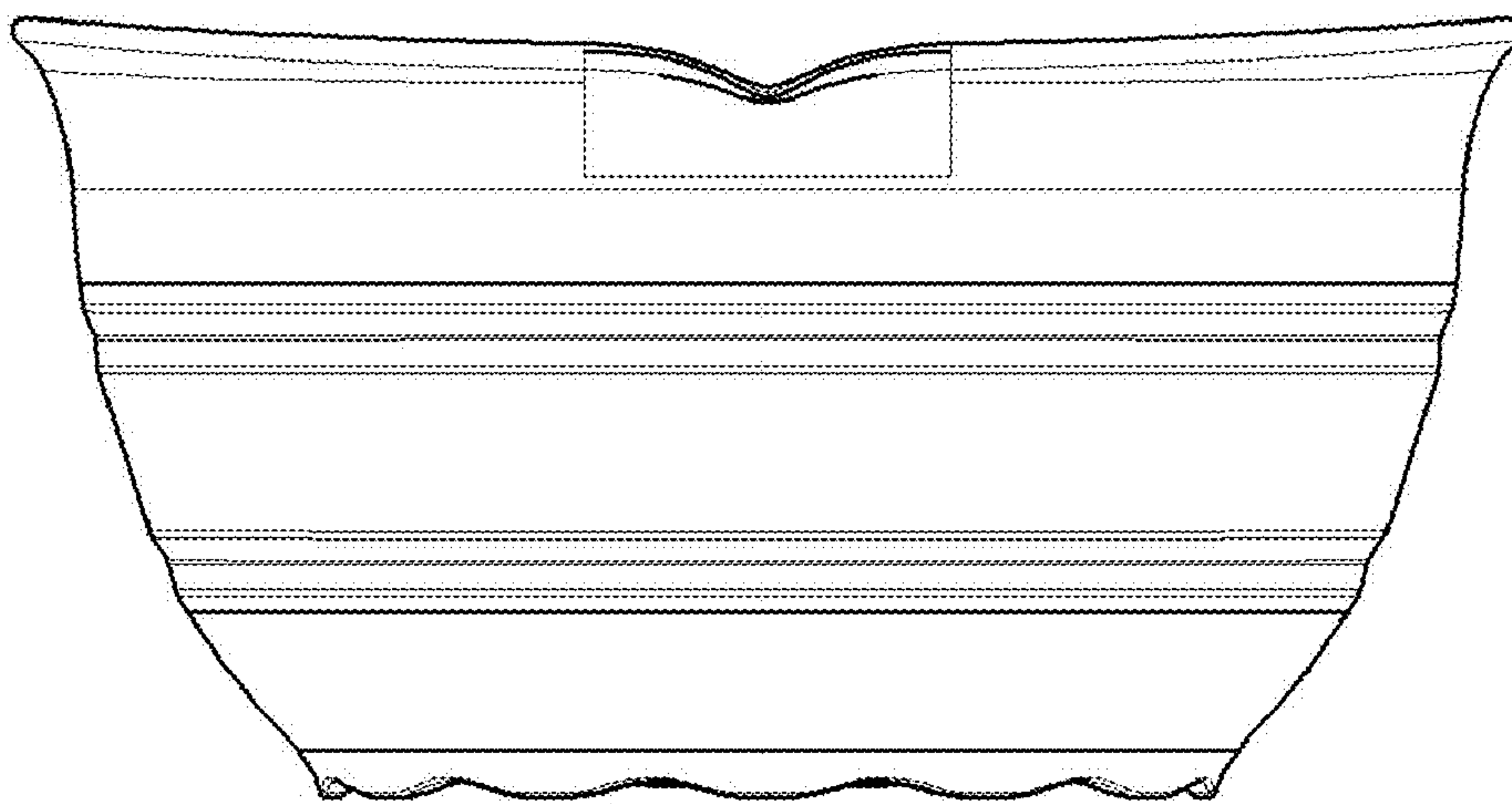


FIG. 5



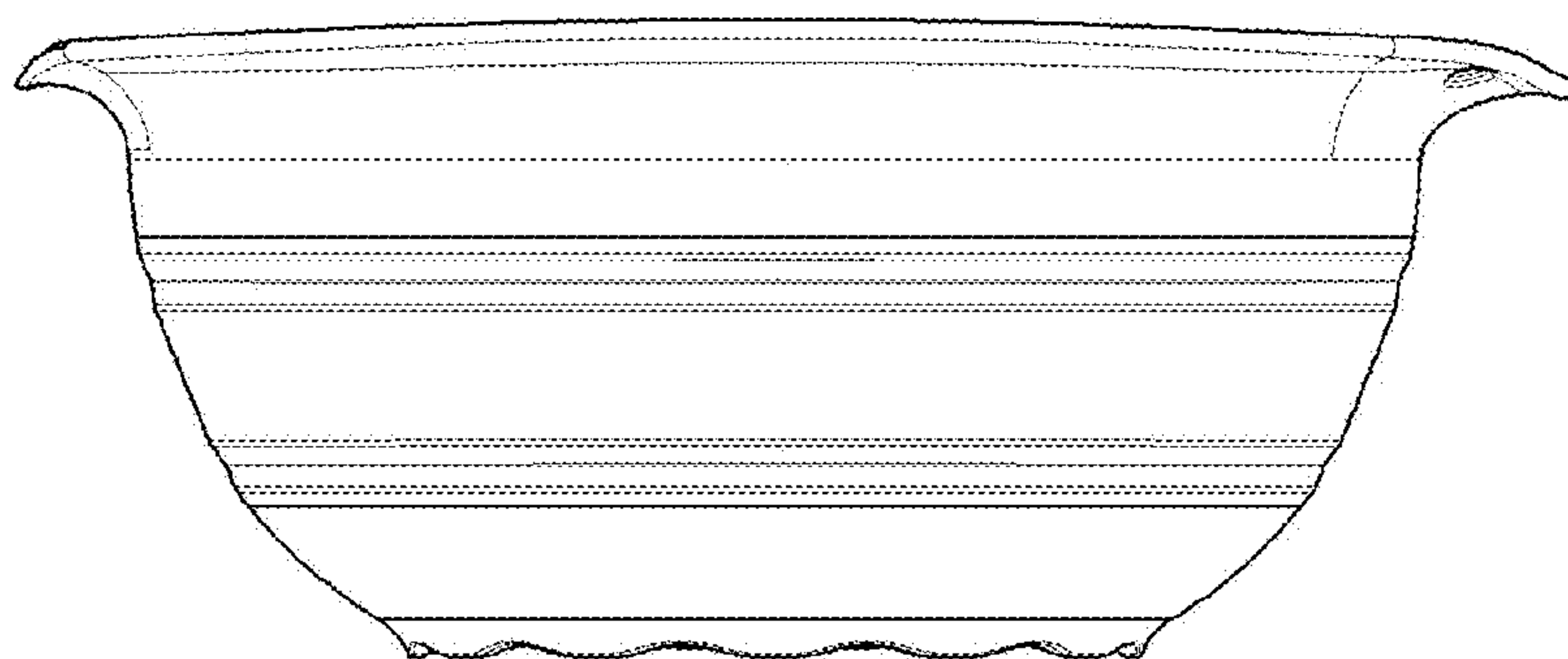


FIG. 6

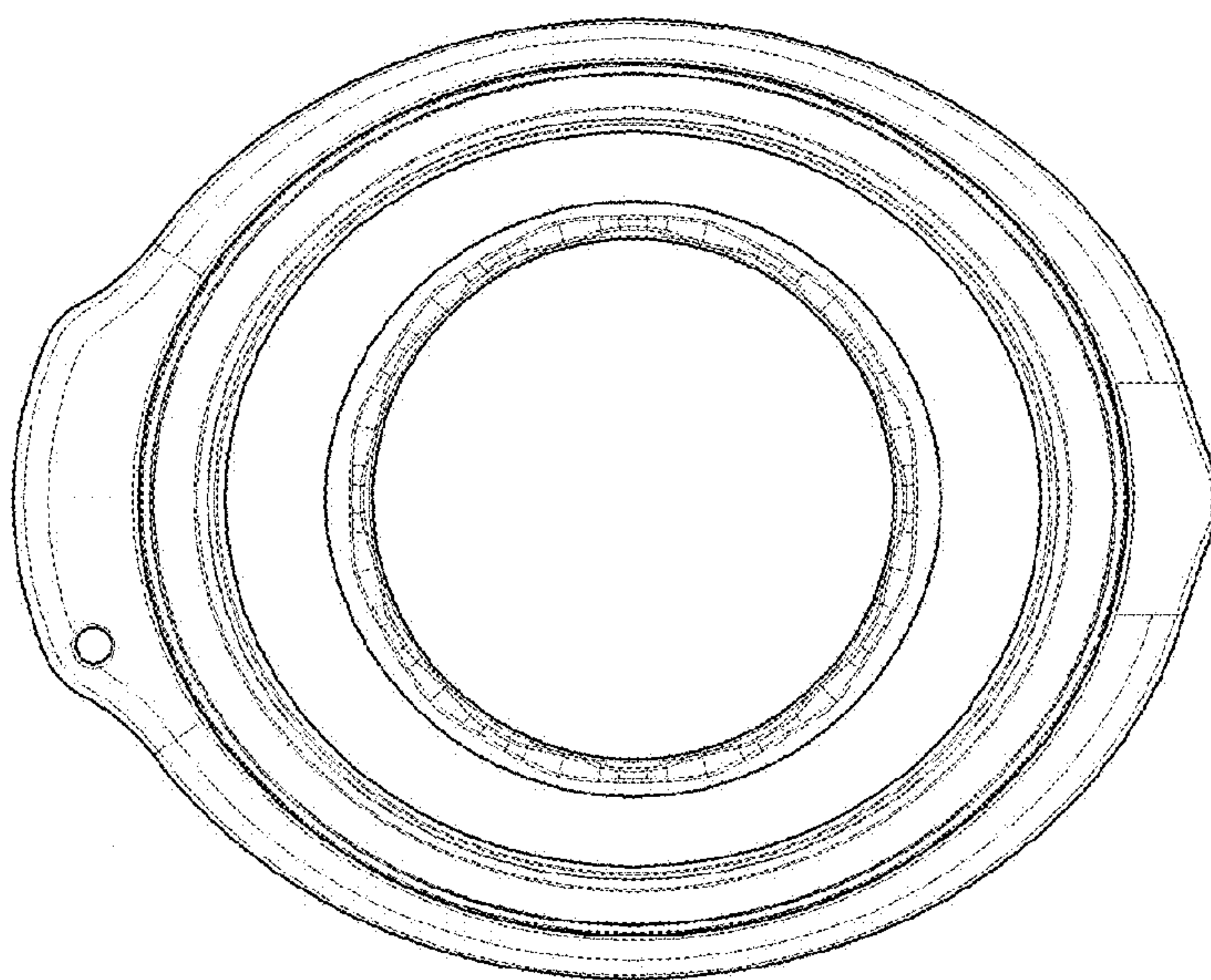


FIG. 7