

US00D652257S

(12) **United States Design Patent**
Kraemer

(10) **Patent No.:** **US D652,257 S**
(45) **Date of Patent:** **** *Jan. 17, 2012**

(54) **TUMBLER**

(75) Inventor: **Kevin Kraemer**, Cuyahoga Falls, OH (US)

(73) Assignee: **InterDesign, Inc.**, Solon, OH (US)

(*) Notice: This patent is subject to a terminal disclaimer.

(**) Term: **14 Years**

(21) Appl. No.: **29/372,184**

(22) Filed: **Oct. 26, 2010**

(51) **LOC (9) Cl.** **07-01**

(52) **U.S. Cl.** **D7/523; D7/509**

(58) **Field of Classification Search** D7/523, D7/532, 509, 510; D19/85; D34/1; 220/703, 220/592.16, 592.17; D28/61, 73
See application file for complete search history.

(56) **References Cited**

U.S. PATENT DOCUMENTS

D73,031 S *	7/1927	Heisey	D7/532
D81,061 S *	4/1930	Marsden	D7/532
D96,731 S *	9/1935	Dougherty	D7/532
D96,737 S *	9/1935	Funfrock	D7/523
D104,449 S *	5/1937	Hansen	D7/532
D107,992 S *	1/1938	Hansen	D7/532
D107,993 S *	1/1938	Hansen	D7/532
D108,220 S *	2/1938	Shapiro	D7/532
D120,135 S *	4/1940	Morrison	D7/532
D457,389 S	5/2002	Snell		
D457,782 S *	5/2002	Snell	D7/396.6
6,439,418 B1	8/2002	Immerman et al.		
D463,715 S	10/2002	Dretzka		
D472,427 S *	4/2003	Dretzka	D7/523
D502,365 S	3/2005	Dretzka		
D505,828 S	6/2005	Snell		
D543,327 S *	5/2007	Snell	D34/1

D550,509 S	9/2007	Dretzka		
D551,905 S *	10/2007	Snell	D7/523
D552,422 S	10/2007	Dretzka		
D557,073 S	12/2007	Snell		
D582,724 S	12/2008	Dretzka		
D594,277 S *	6/2009	Snell	D7/523
D594,278 S *	6/2009	Snell	D7/523
D603,220 S *	11/2009	Ghiorghie	D7/523
D623,898 S *	9/2010	Snell	D7/523
D643,172 S *	8/2011	Kraemer	D34/1

OTHER PUBLICATIONS

InterDesign, Inc. Product Brochure—Bath, p. 6.
 InterDesign, Inc. Product Catalog—2000, pp. 4, 5.
 InterDesign, Inc. Product Catalog—2001, pp. 12, 13.
 InterDesign, Inc. Product Catalog—2003, pp. 5, 6, 9, 10, 11, 14, 15, 16, 20, 22, 24.
 InterDesign, Inc. Product Catalog—2004, pp. 20, 28, 29.
 InterDesign, Inc. Product Catalog—2005, p. 6.
 InterDesign, Inc. Product Catalog—2006, p. 2, 4.
 InterDesign, Inc. Product Catalog—2007, pp. 2, 3, 4, 5, 6, 12.
 InterDesign, Inc. Product Catalog—2008, pp. 28, 29, 31, 37.
 InterDesign, Inc. Product Catalog—2009, pp. 3, 4, 5, 7, 8.

* cited by examiner

Primary Examiner — Marianne Pandozzi

(74) *Attorney, Agent, or Firm* — D. Peter Hochberg; Sean F. Mellino; Daniel J. Smola

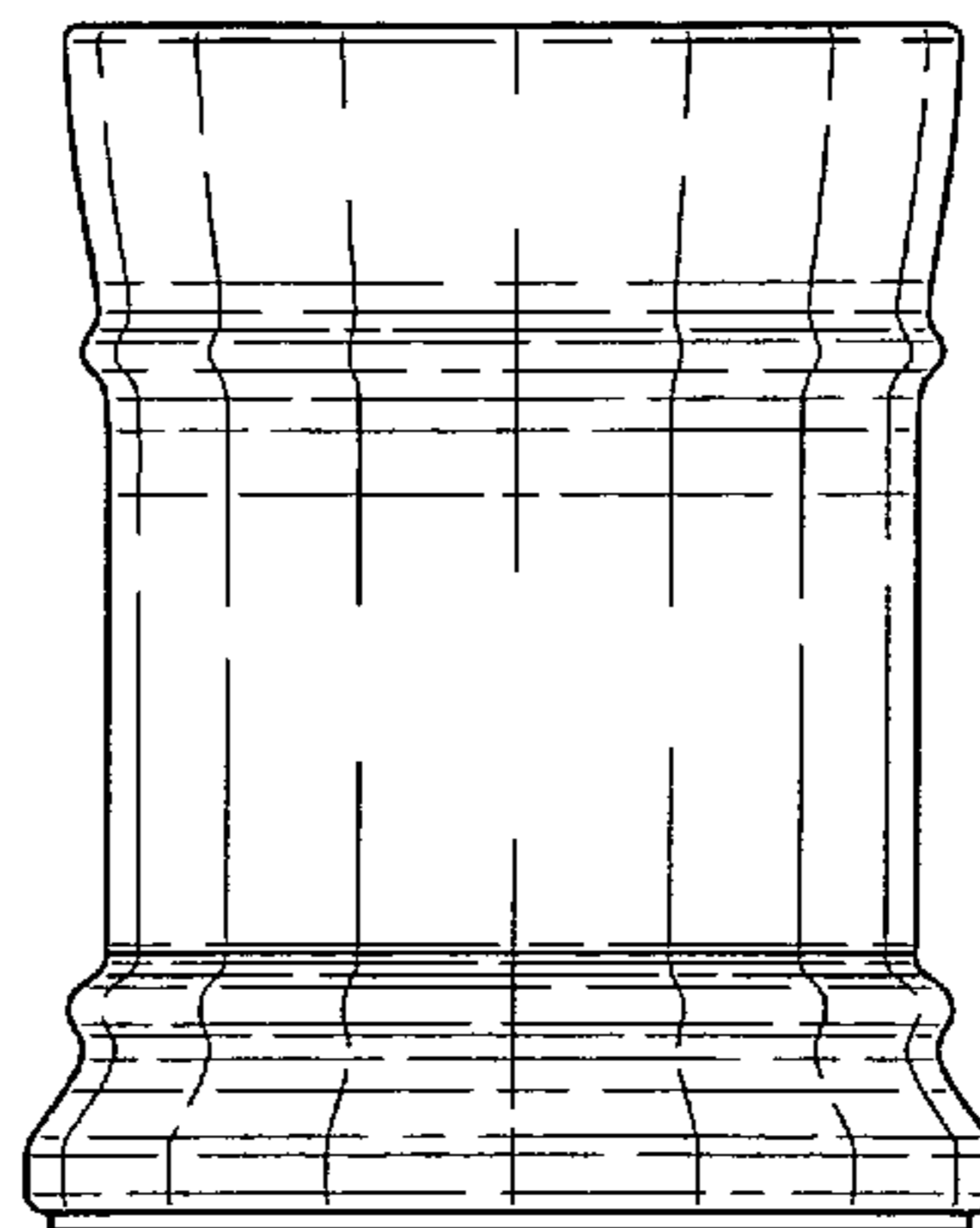
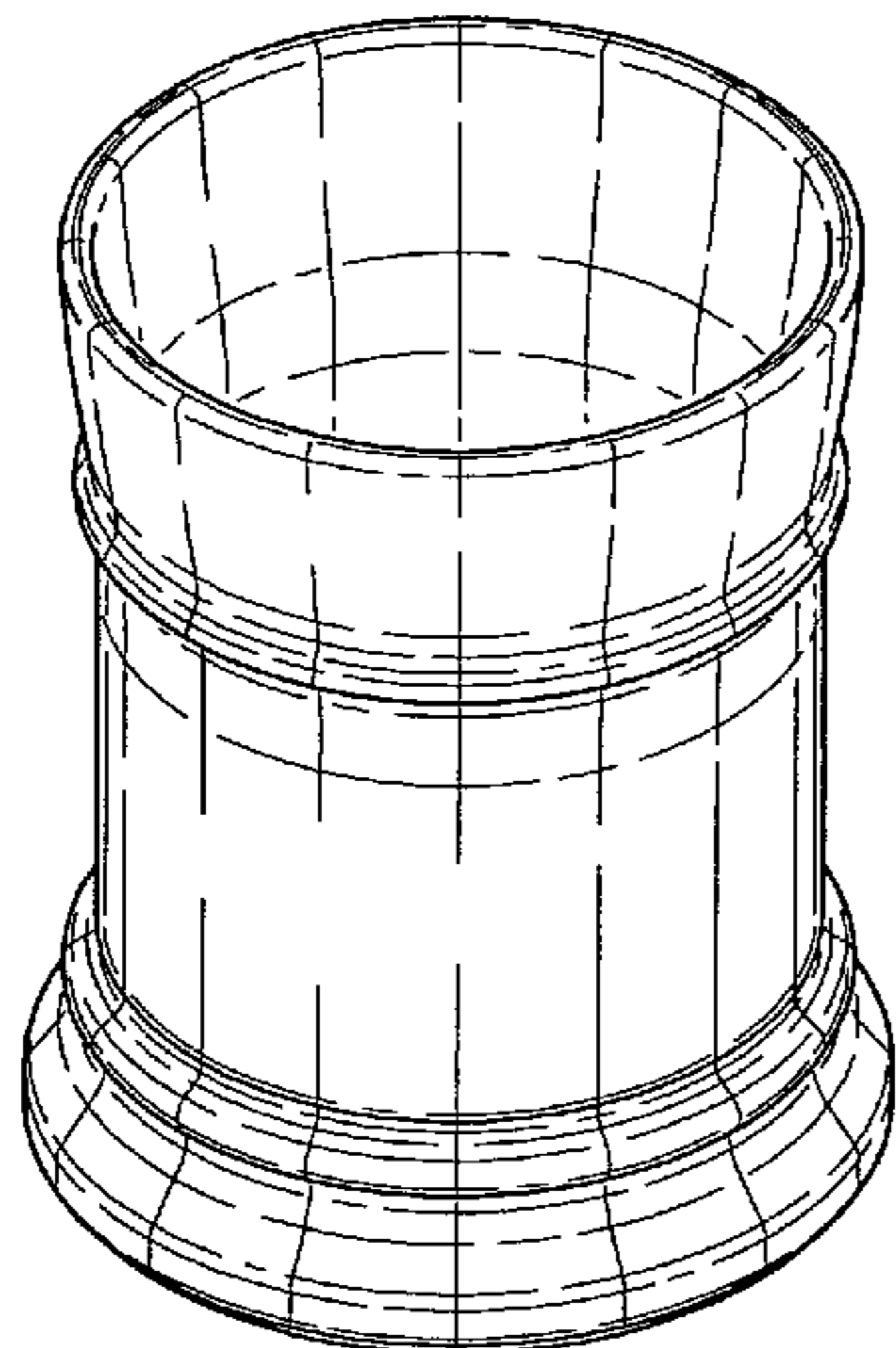
(57) **CLAIM**

The ornamental design for a tumbler, as shown and described.

DESCRIPTION

FIG. 1 is a perspective view of the tumbler according to the invention;
 FIG. 2 is a top view of the tumbler as shown in FIG. 1;
 FIG. 3 is a front view of the tumbler as shown in FIG. 1; which is identical to the rear view and side views; and,
 FIG. 4 is a bottom view of the tumbler as shown in FIG. 1.

1 Claim, 1 Drawing Sheet



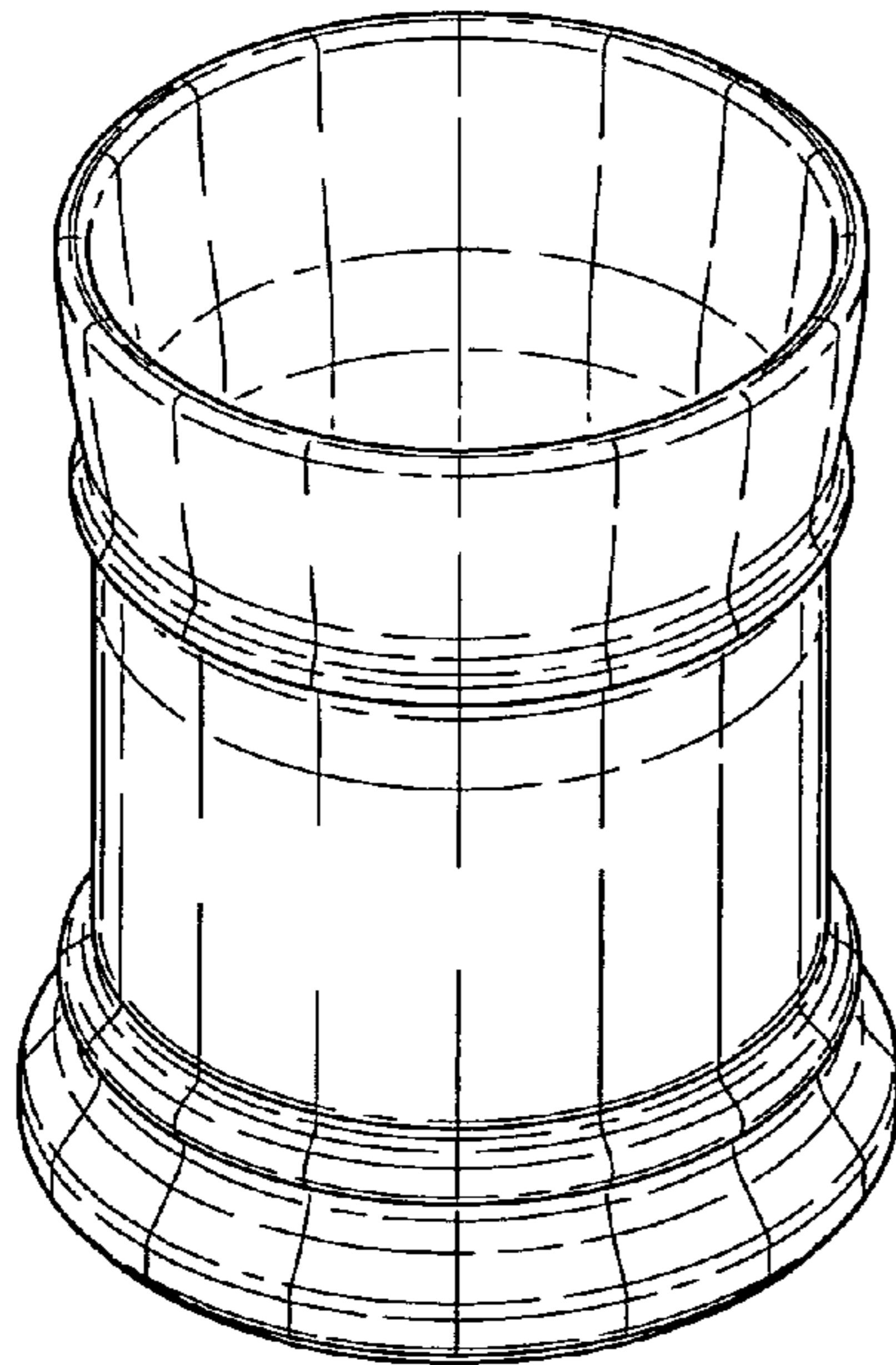


FIG-1

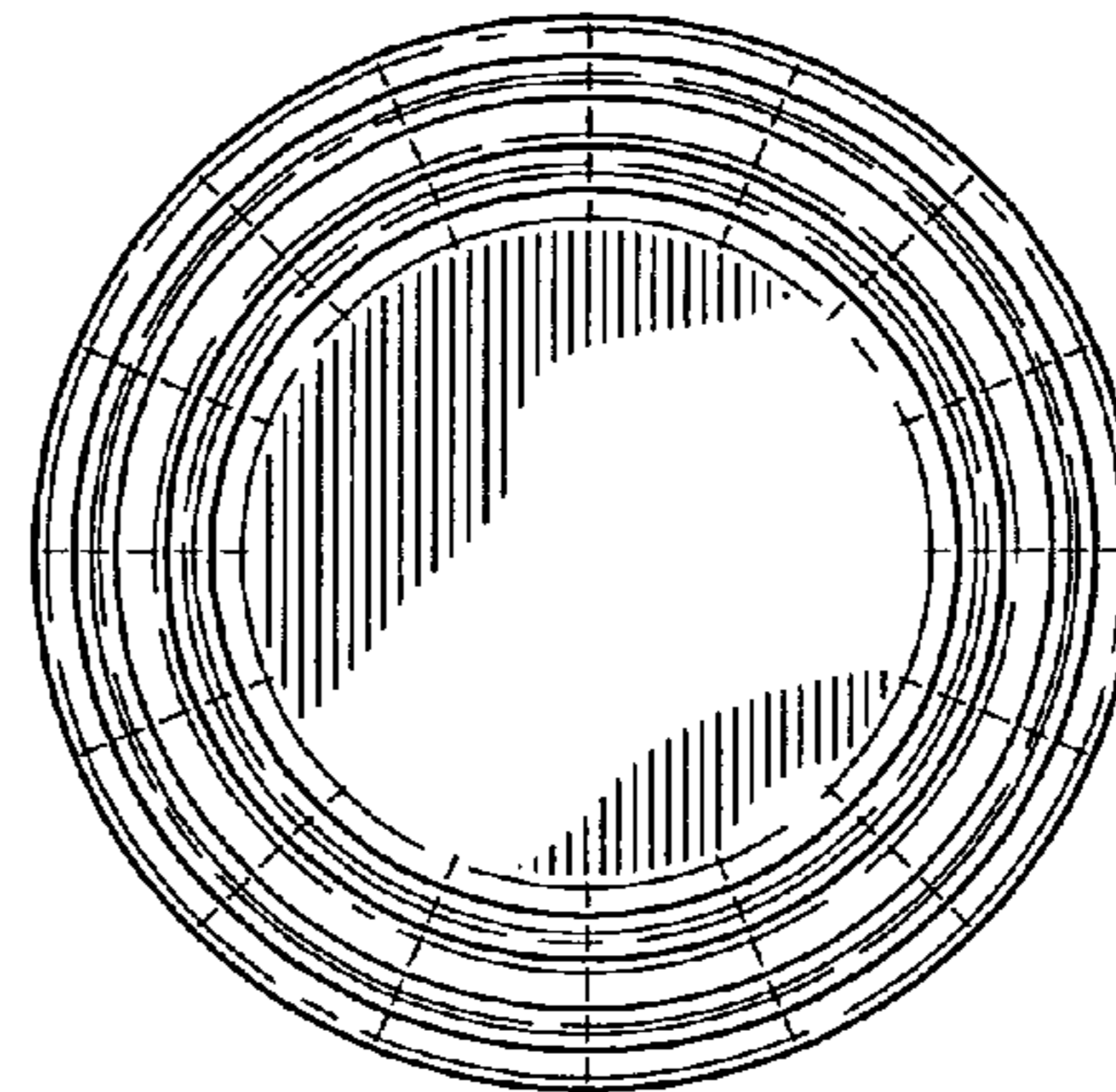


FIG-2

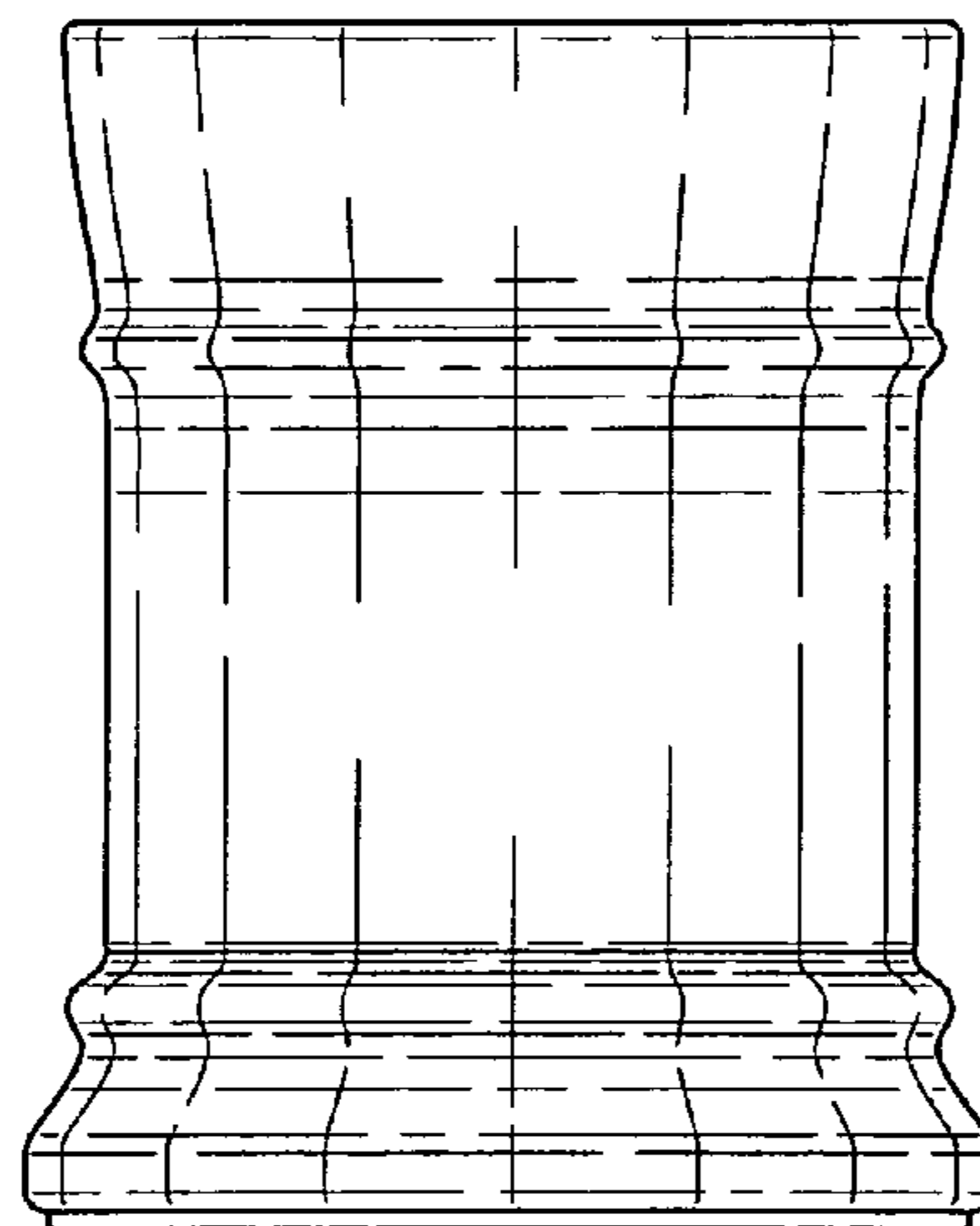


FIG-3

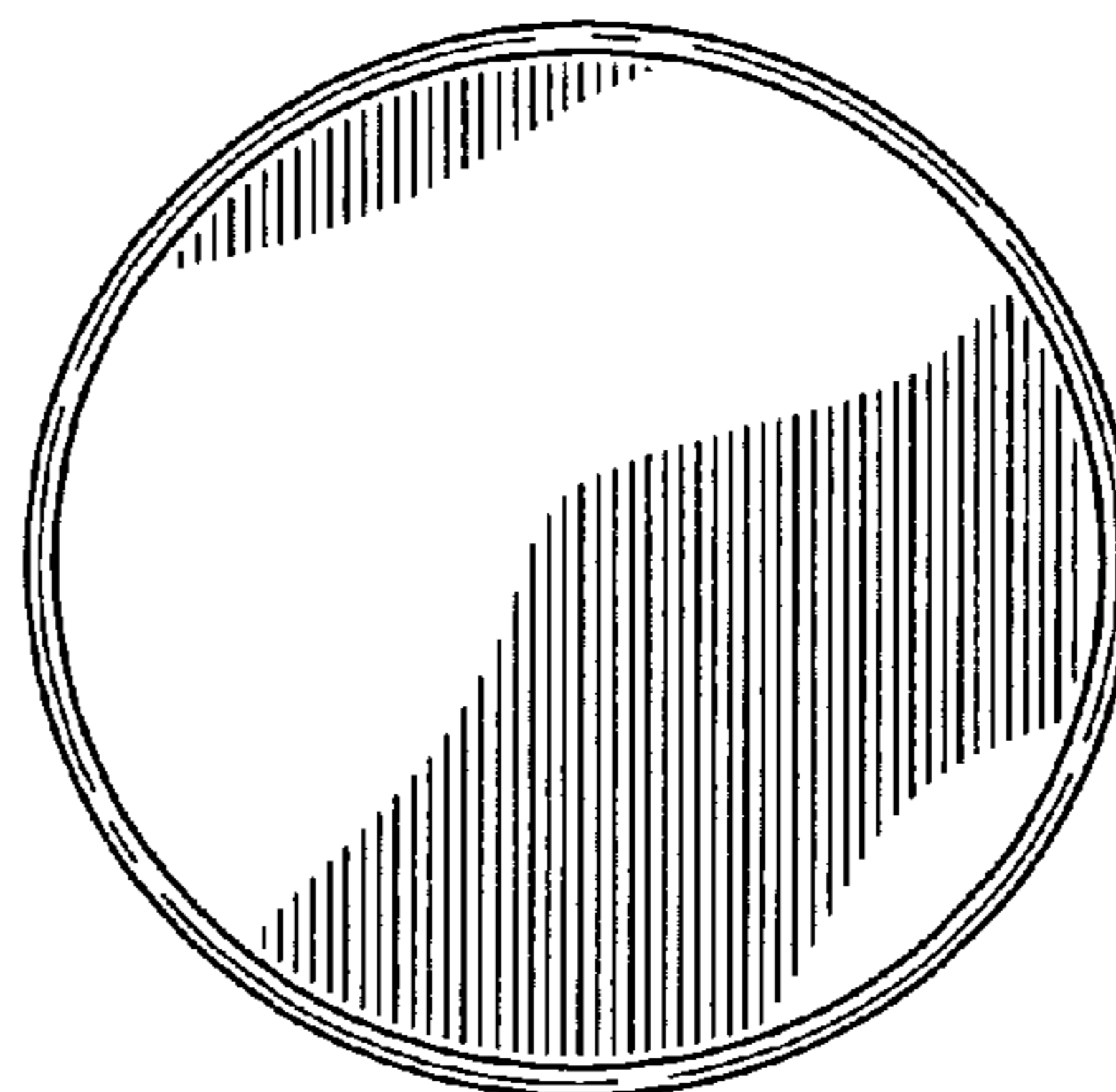


FIG-4