



US00D652254S

(12) **United States Design Patent**
Dancsecs

(10) **Patent No.:** **US D652,254 S**

(45) **Date of Patent:** **** Jan. 17, 2012**

(54) **CUP**

(76) **Inventor:** **Matt Dancsecs**, Pound Ridge, NY (US)

(**) **Term:** **14 Years**

(21) **Appl. No.:** **29/372,714**

(22) **Filed:** **Dec. 30, 2010**

(51) **LOC (9) Cl.** **07-01**

(52) **U.S. Cl.** **D7/510; D7/511**

(58) **Field of Classification Search** D7/509-511,
D7/523, 532, 531; 220/592.17, 715, 714,
220/739

See application file for complete search history.

(56) **References Cited**

U.S. PATENT DOCUMENTS

| | | | | |
|--------------|---------|-------------------|-------|--------|
| D230,387 S * | 2/1974 | Doman et al. | | D7/531 |
| D377,293 S * | 1/1997 | Husted | | D7/510 |
| D432,865 S * | 10/2000 | Cohen | | D7/510 |
| D457,035 S * | 5/2002 | Hurlbut | | D7/510 |
| D476,857 S * | 7/2003 | Holsinger | | D7/608 |
| D485,123 S * | 1/2004 | Gullickson et al. | | D7/510 |

| | | | | |
|--------------|---------|-----------|-------|--------|
| D594,278 S * | 6/2009 | Snell | | D7/523 |
| D603,220 S * | 11/2009 | Ghiorghie | | D7/523 |
| D608,147 S * | 1/2010 | Sykes | | D7/507 |

* cited by examiner

Primary Examiner — Marianne Pandozzi

(74) *Attorney, Agent, or Firm* — Steven E. Shapiro

(57) **CLAIM**

The ornamental design for a cup, as shown and described.

DESCRIPTION

FIG. 1 is a top perspective view of a cup showing my new design;

FIG. 2 is a top perspective view thereof, from the opposite side;

FIG. 3 is a rear perspective view thereof;

FIG. 4 is a front elevational view thereof;

FIG. 5 is left side perspective view thereof;

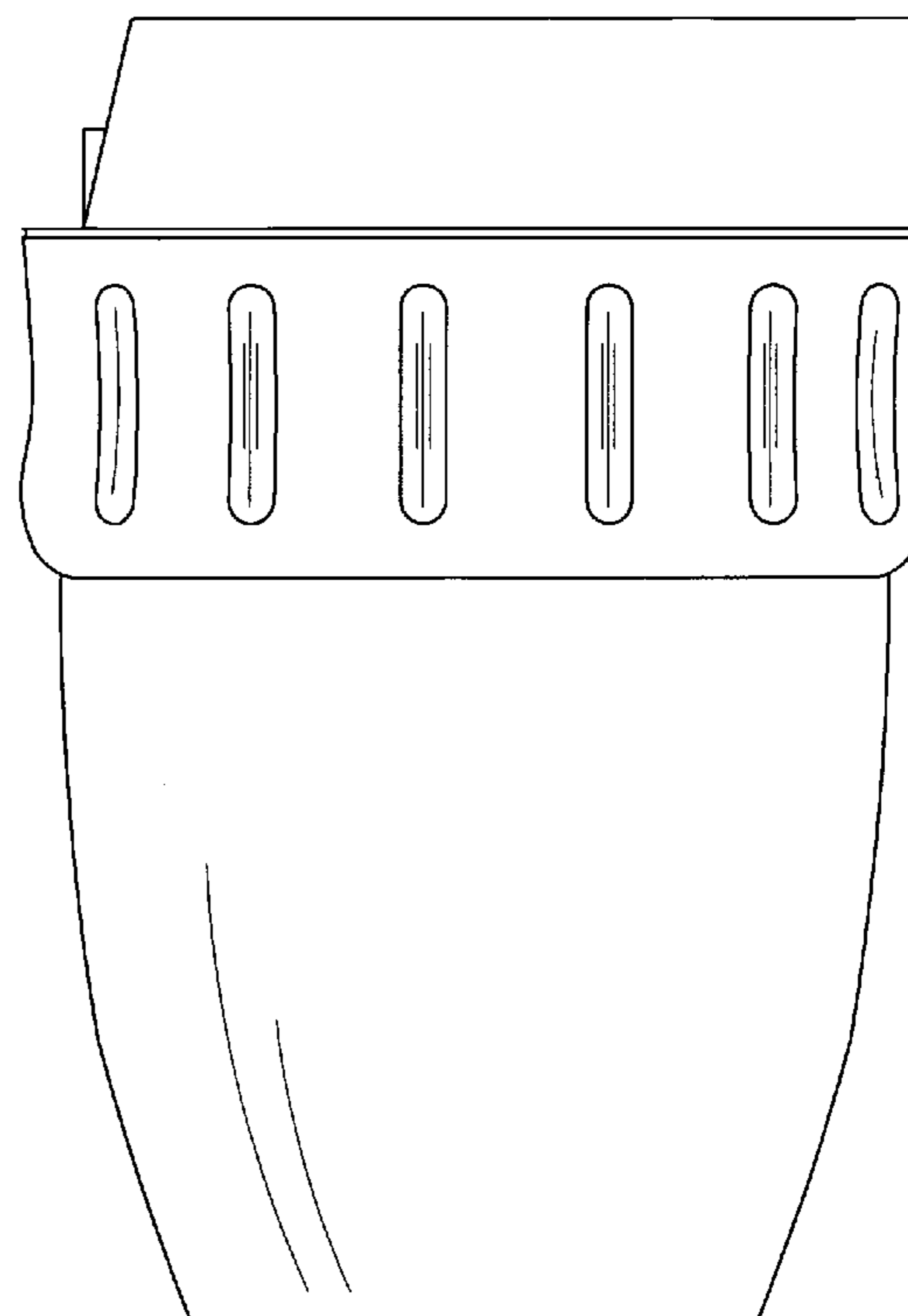
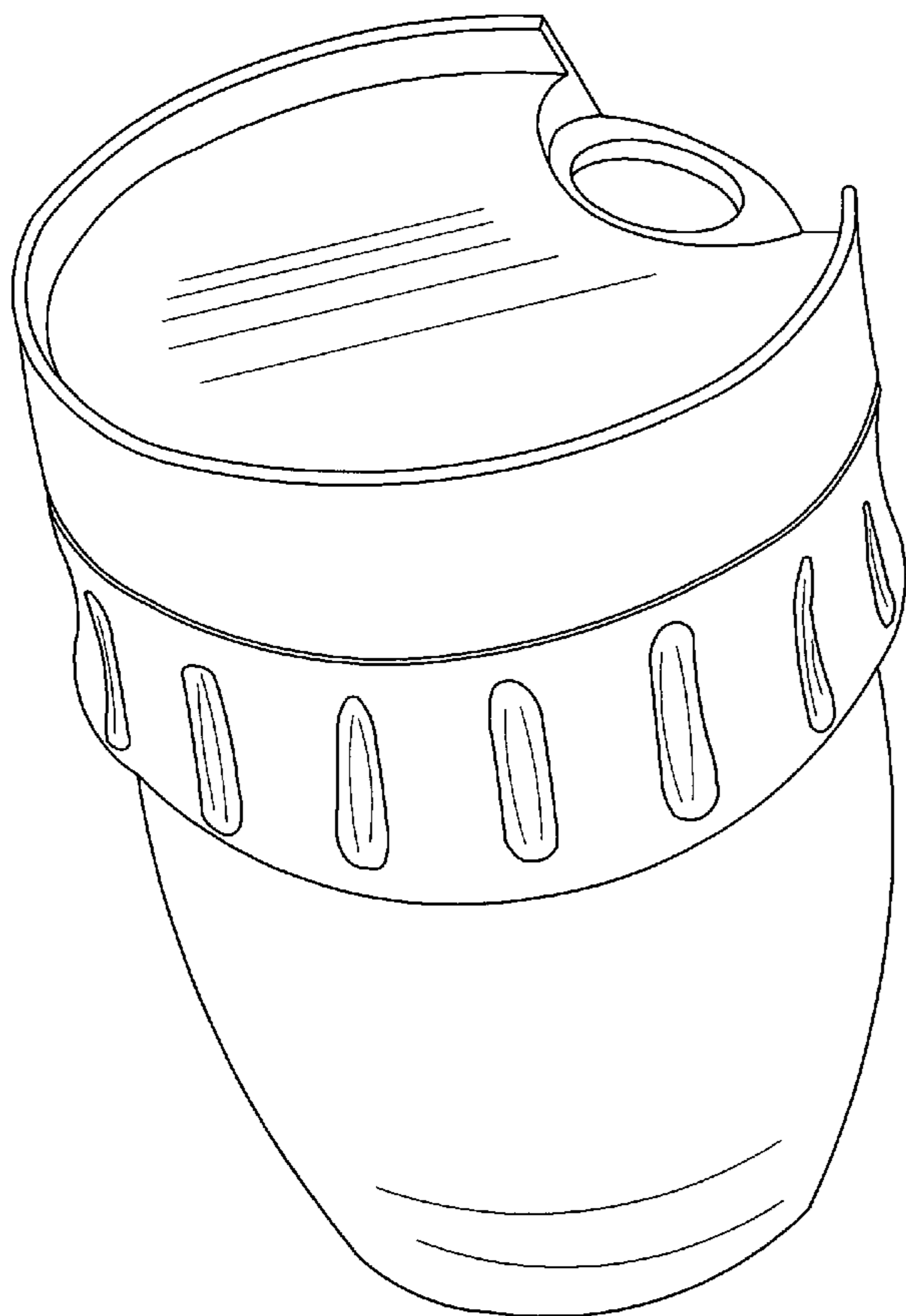
FIG. 6 is a right side perspective view thereof;

FIG. 7 is a rear perspective view thereof;

FIG. 8 is a top plan view thereof; and,

FIG. 9 is a bottom plan view thereof.

1 Claim, 9 Drawing Sheets



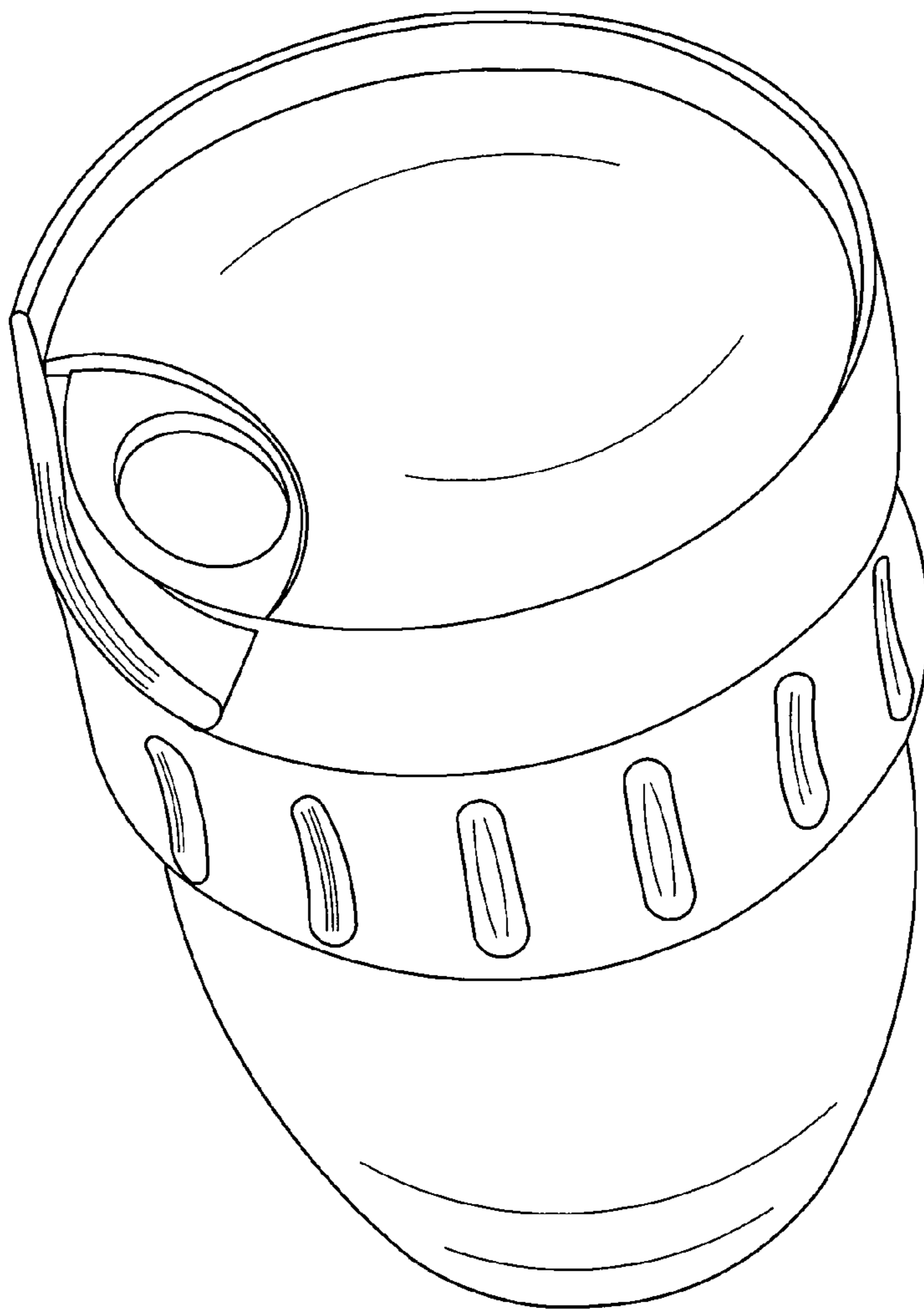


FIG. 1

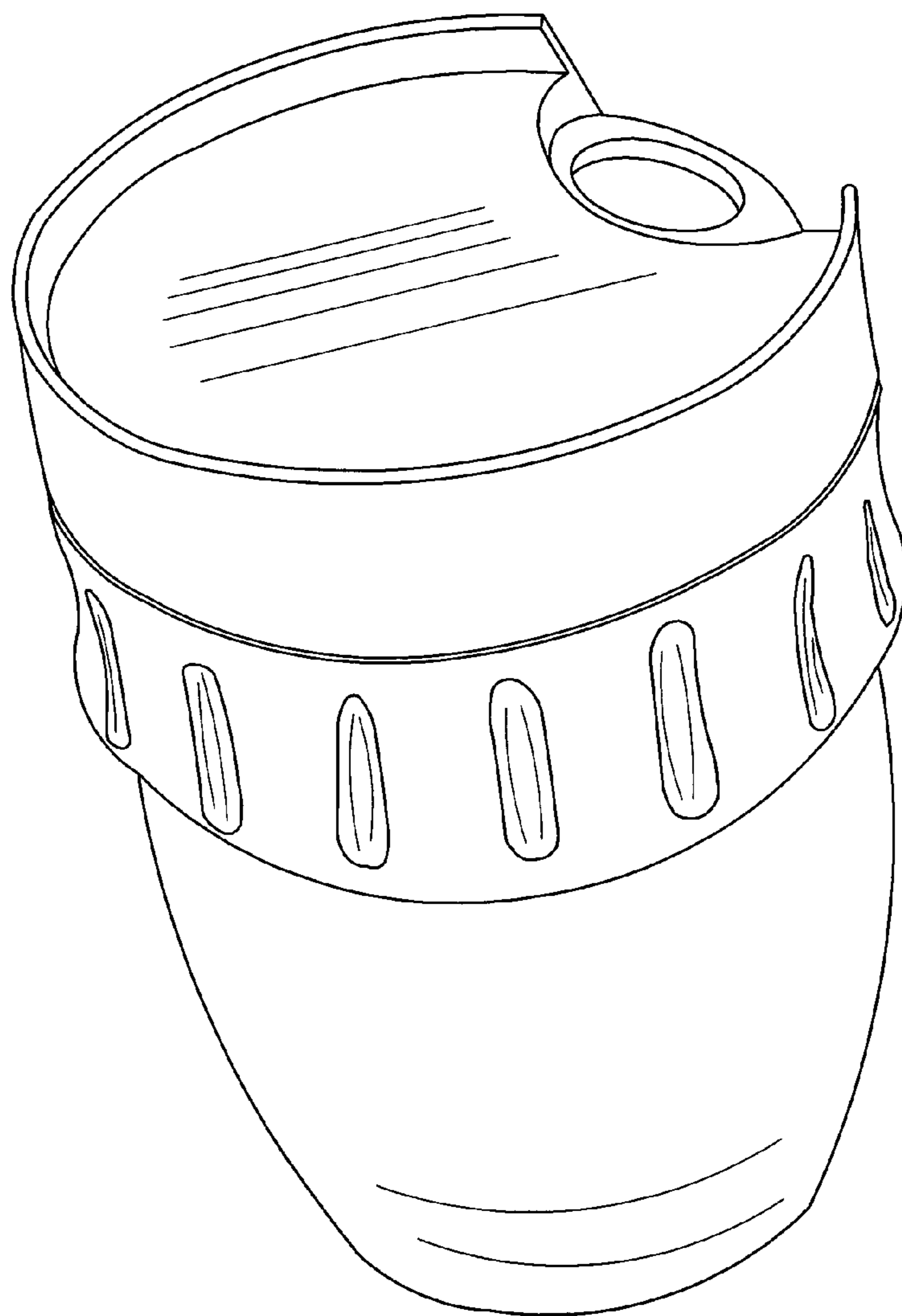


FIG. 2



FIG. 3

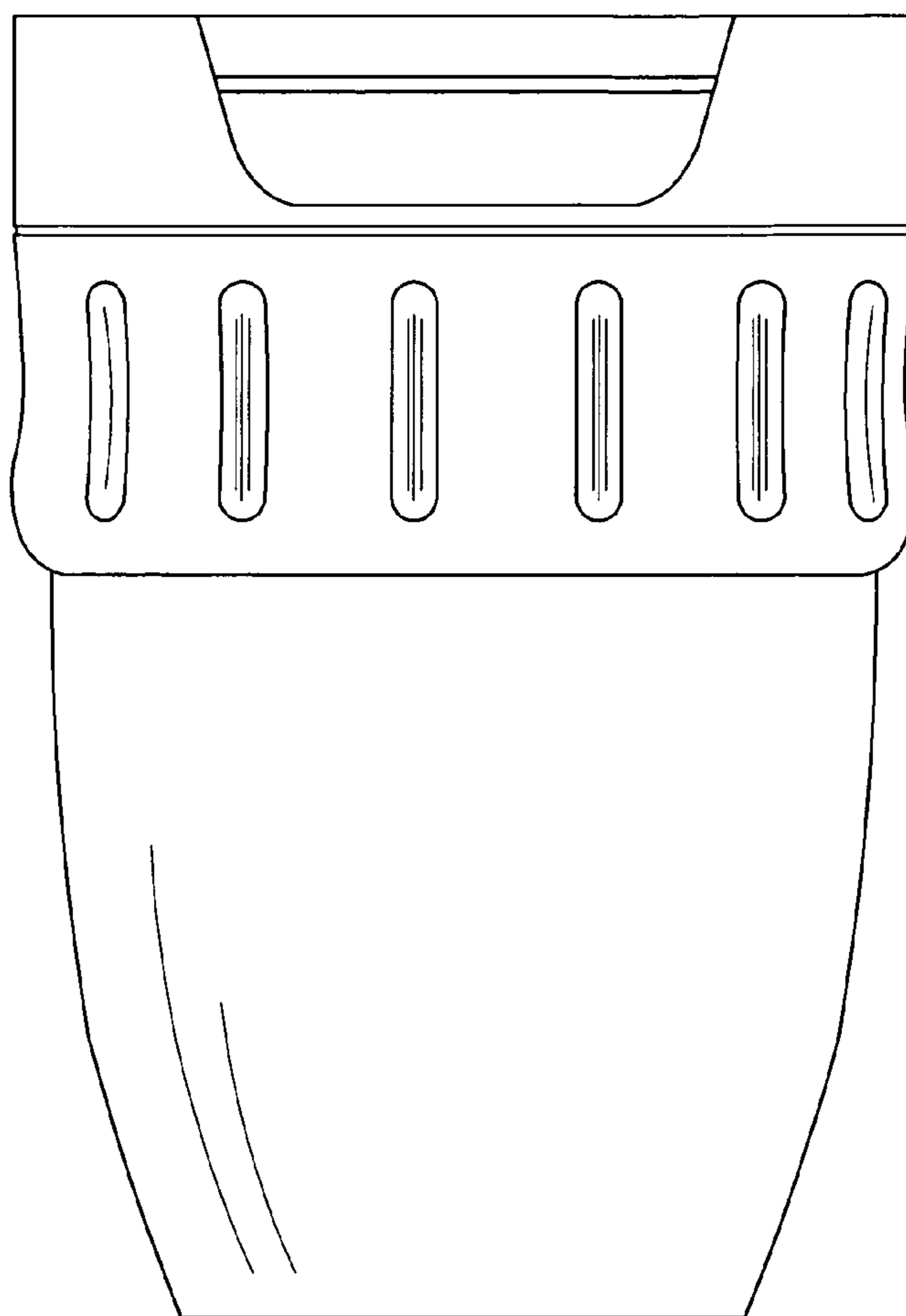


FIG. 4

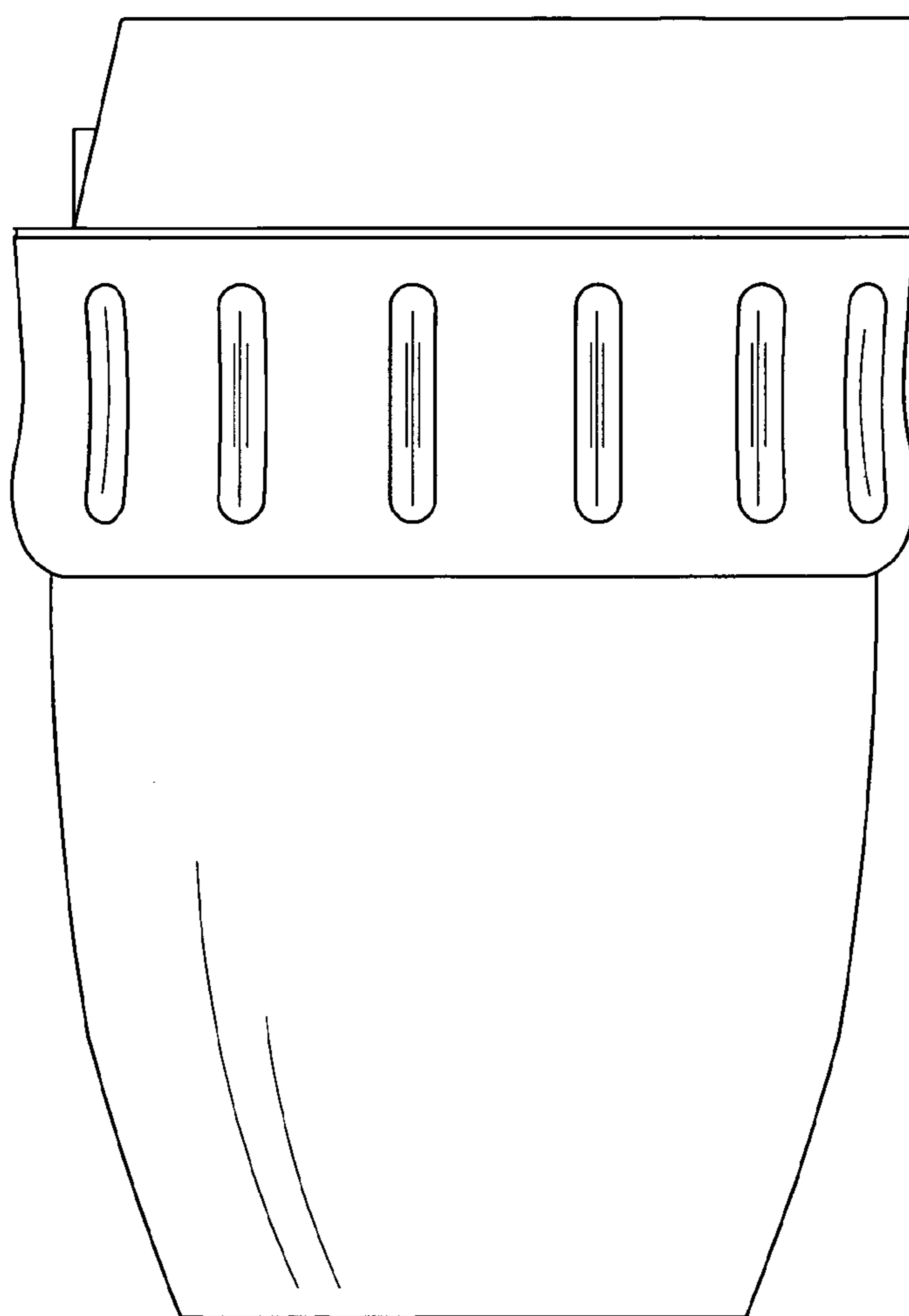


FIG. 5

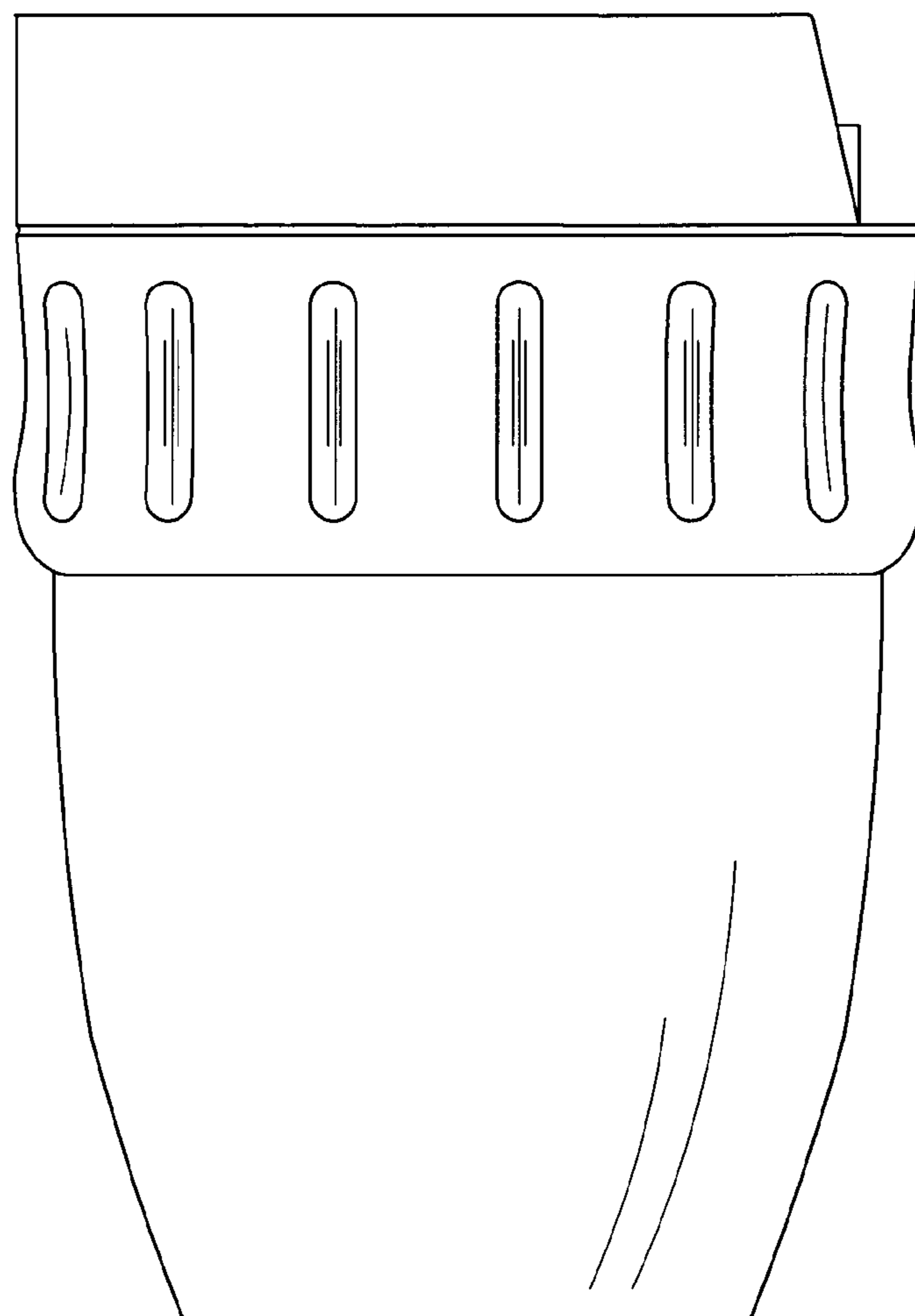


FIG. 6

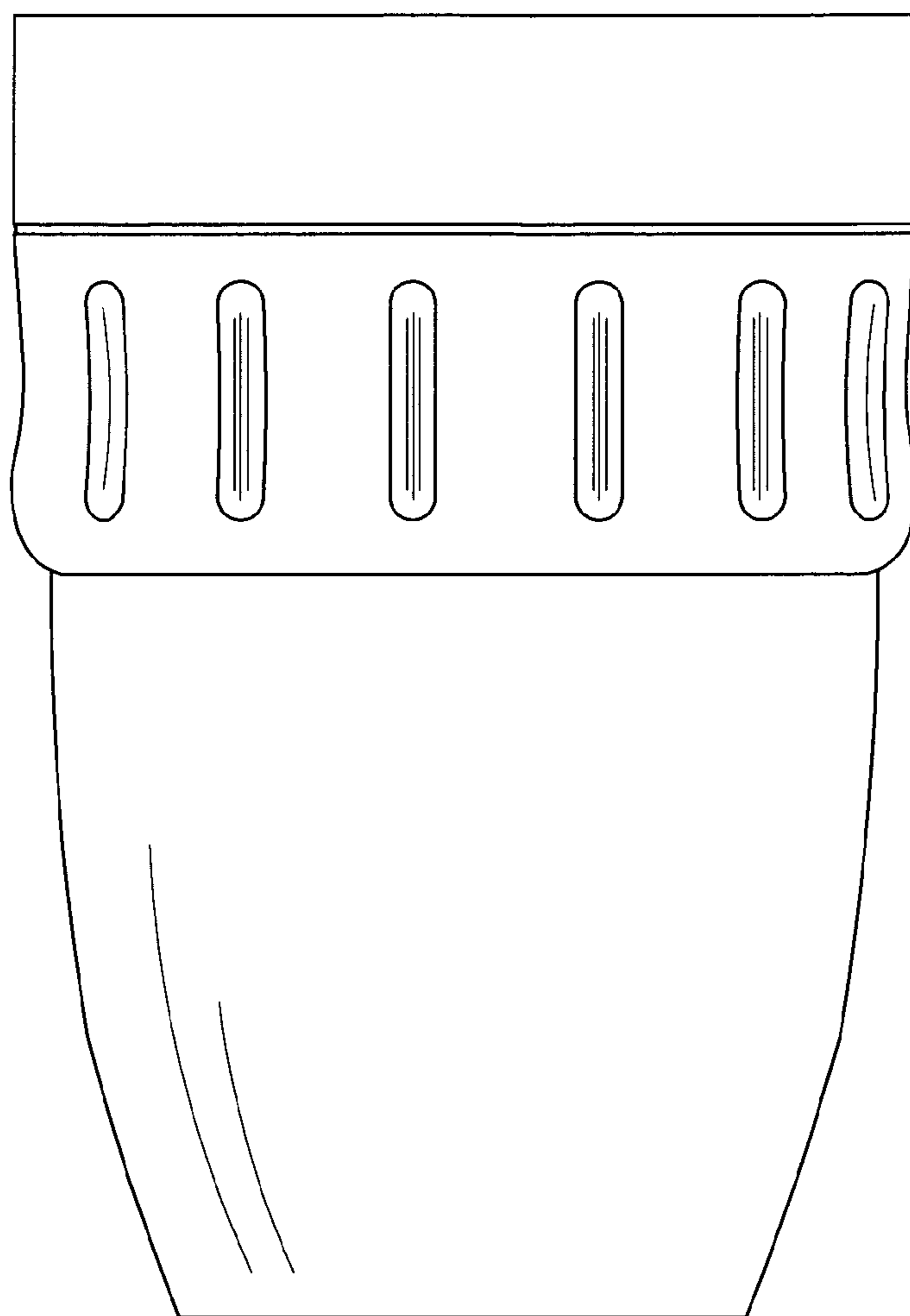


FIG. 7

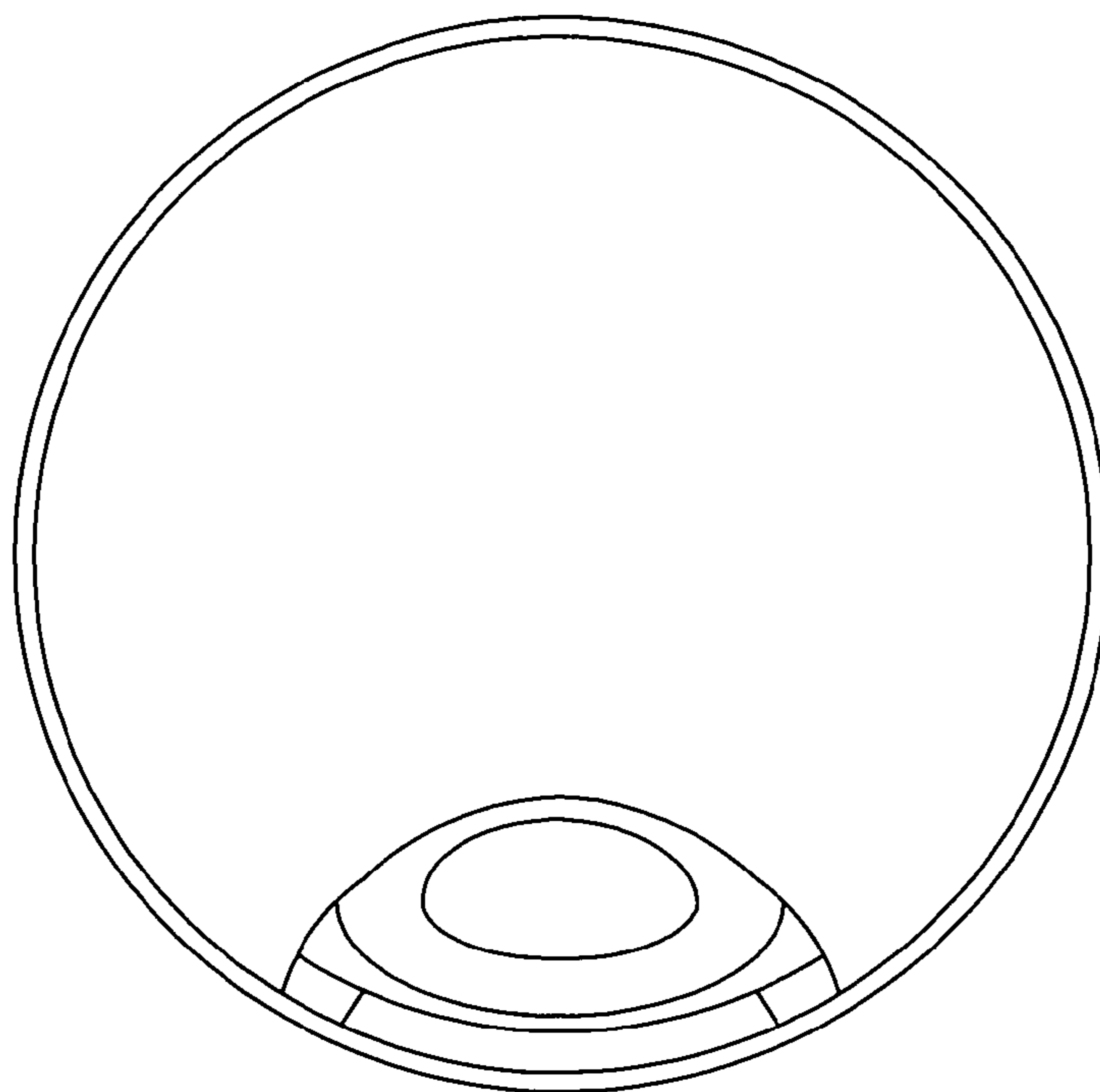


FIG. 8

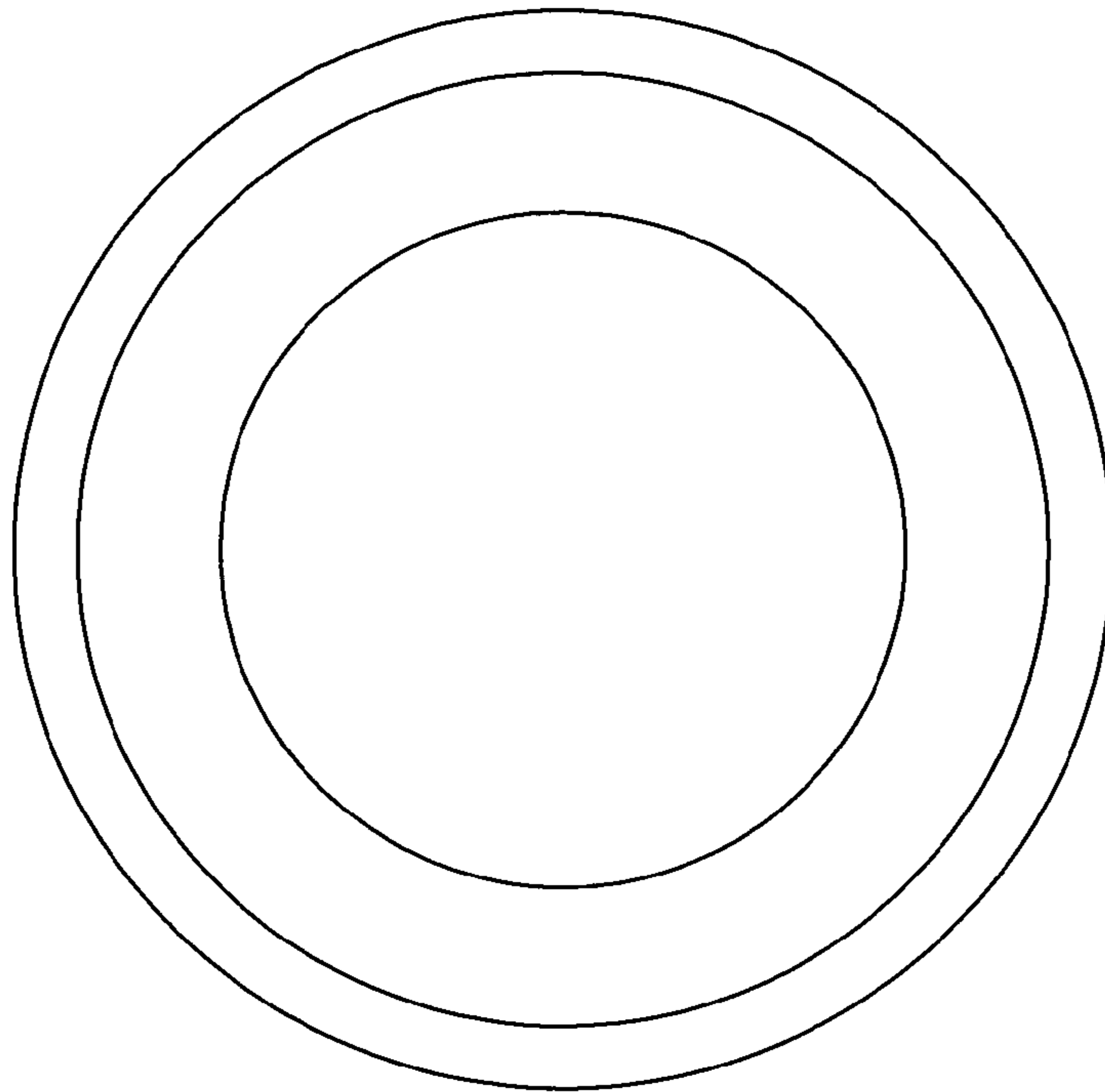


FIG. 9