



US00D652252S

(12) **United States Design Patent**
Greiner

(10) **Patent No.:** **US D652,252 S**

(45) **Date of Patent:** **** Jan. 17, 2012**

(54) **HANDLE**

(75) Inventor: **Lori Greiner**, Chicago, IL (US)

(73) Assignee: **For Your Ease Only, Inc.**, Chicago, IL (US)

(**) Term: **14 Years**

(21) Appl. No.: **29/366,747**

(22) Filed: **Jul. 29, 2010**

(51) **LOC (9) Cl.** **07-02**

(52) **U.S. Cl.** **D7/401.2; D7/653**

(58) **Field of Classification Search** D7/368,
D7/395, 401.2, 622, 642-646, 649-654, 660-664,
D7/669, 675-676, 683, 688, 691-692, 695-696;
D9/434, 455; 15/144.4; 16/430; 30/1, 137,
30/141-143, 147-150, 298.4, 322-329, 340,
30/342-344; 215/228, 390-391; 220/212,
220/221.5; 229/125.03, 401, 404; 294/49,
294/57; 416/70 R; 426/94, 110

See application file for complete search history.

(56) **References Cited**

U.S. PATENT DOCUMENTS

260,157	A *	6/1882	Brower	30/298.4
784,830	A *	3/1905	Beistle	30/327
845,592	A *	2/1907	Stewart	294/57
1,106,809	A *	8/1914	Haverty et. al.	30/327
1,128,190	A *	2/1915	Routery	30/327
1,347,307	A *	7/1920	Thomas	30/1
2,682,705	A *	7/1954	Johnson	30/324
2,724,894	A *	11/1955	La Tour	30/324
2,995,265	A *	8/1961	Soderberg	215/390

3,436,111	A *	4/1969	England	294/49
D217,004	S *	3/1970	Gay	D7/688
4,095,716	A *	6/1978	Meany	215/391
D276,586	S *	12/1984	Hanna	D9/434
4,704,758	A *	11/1987	Hoffman	15/144.4
D302,777	S *	8/1989	Hiscott et al.	D7/691
D308,804	S *	6/1990	Hiscott et al.	D7/691
D356,473	S *	3/1995	Lipson	D7/662
D368,833	S *	4/1996	Gibson et al.	D7/663
D423,887	S *	5/2000	Wills	D7/663
6,145,204	A *	11/2000	Cash	30/322
6,199,245	B1 *	3/2001	Blessing	16/430
D455,618	S *	4/2002	Richardson	D7/692
D573,852	S *	7/2008	Wills	D7/663
D595,546	S *	7/2009	LeGreve et al.	D7/691
2005/0214415	A1 *	9/2005	Craig et al.	426/94

* cited by examiner

Primary Examiner — Ricky Pham

(74) *Attorney, Agent, or Firm* — Fredrikson & Byron, P.A.

(57) **CLAIM**

I claim the ornamental design for a handle, as shown and described.

DESCRIPTION

FIG. 1 is a perspective view of my new design for a handle;
FIG. 2 is a front elevation view thereof;
FIG. 3 is a rear elevation view thereof;
FIG. 4 is a top plan view thereof;
FIG. 5 is a right side view, the left side view being a mirror image thereof; and,
FIG. 6 is a bottom plan view thereof.
The broken lines shown in the drawings are for illustrative purposes only and form no part of the claimed design.

1 Claim, 1 Drawing Sheet

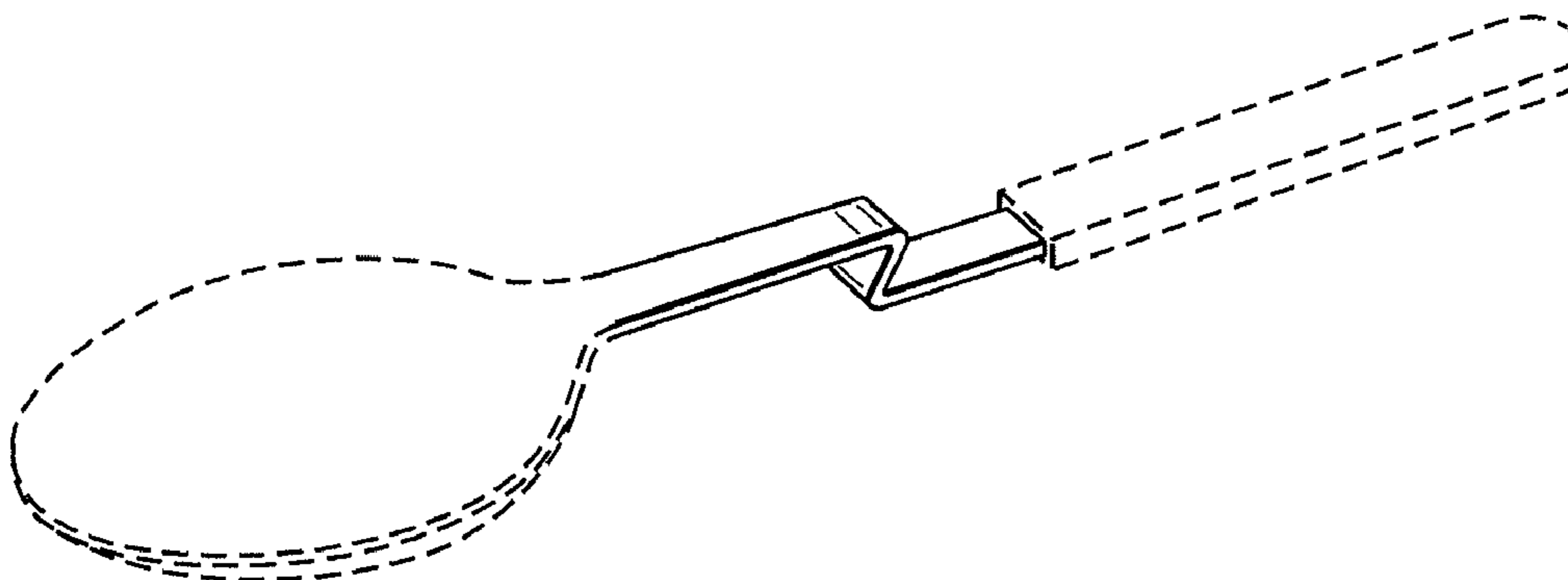


Fig. 1

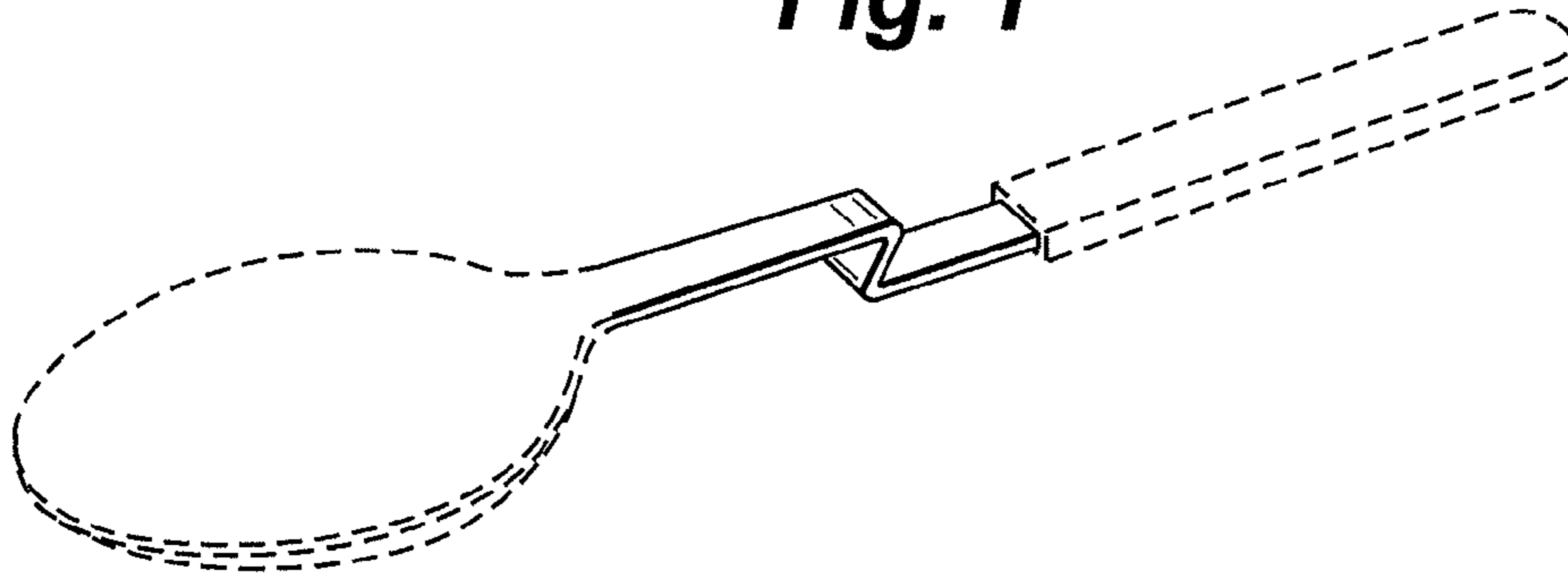


Fig. 2

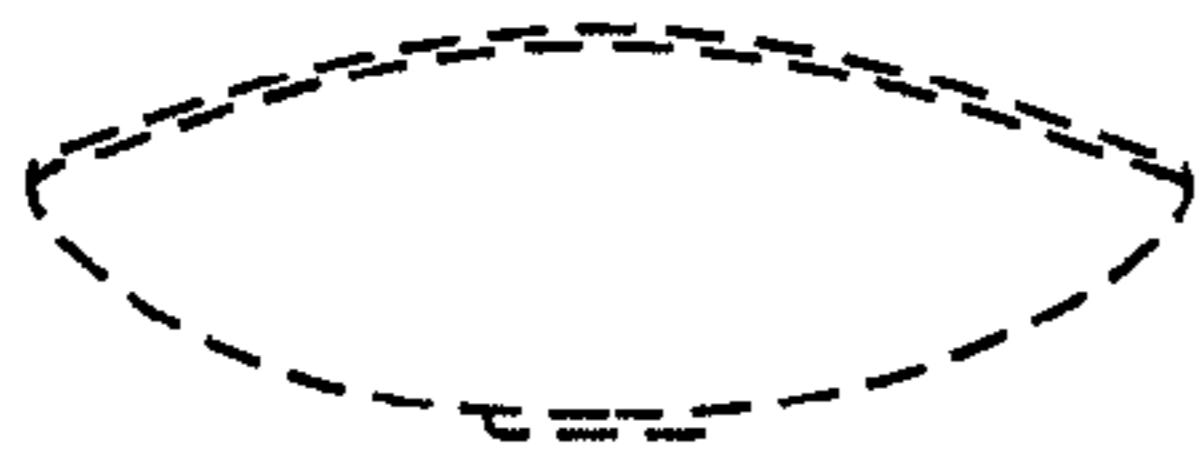


Fig. 3

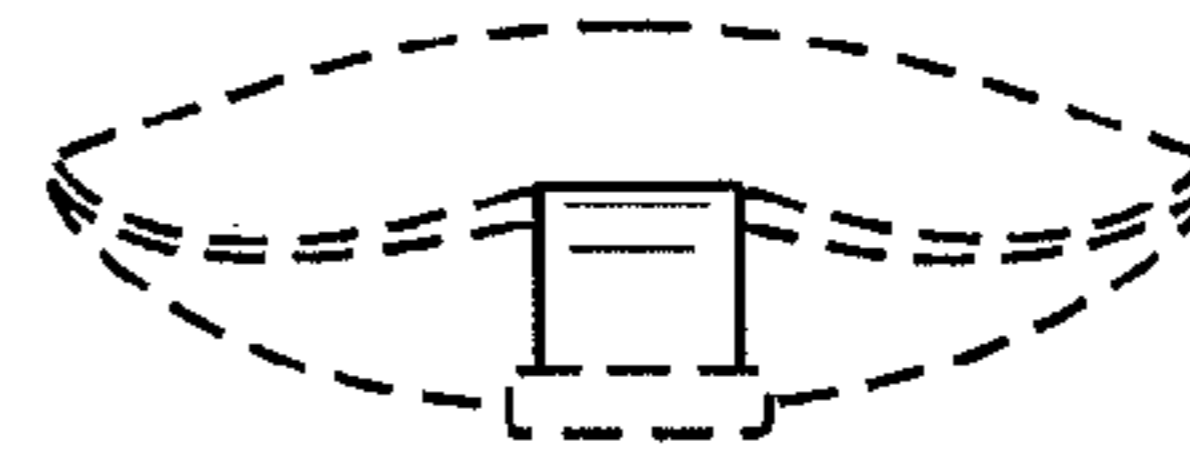


Fig. 4

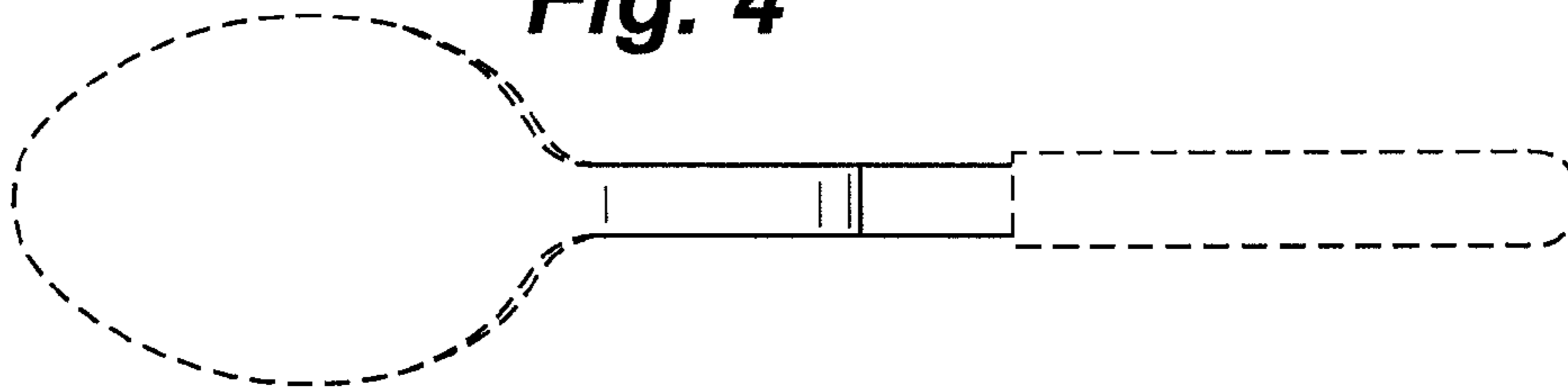


Fig. 5

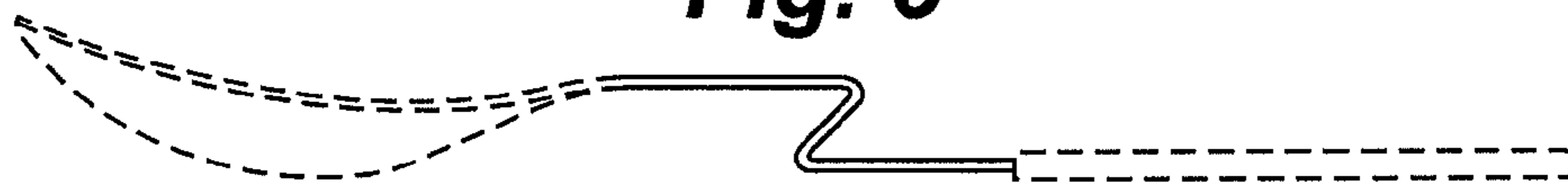


Fig. 6

