



US00D652251S

(12) **United States Design Patent**
Goralski et al.

(10) **Patent No.:** **US D652,251 S**
(45) **Date of Patent:** **** Jan. 17, 2012**

(54) **WINE AERATOR**

(75) Inventors: **William Goralski**, Delray Beach, FL (US); **Phetsouvanh Kounlavong**, Lake Worth, FL (US); **Claus Jensen**, Copenhagen (DK); **Henrik Holbaek**, Copenhagen (DK)

(73) Assignee: **Sunbeam Products, Inc.**, Boca Raton, FL (US)

(**) Term: **14 Years**

(21) Appl. No.: **29/392,769**

(22) Filed: **May 26, 2011**

(51) **LOC (9) Cl.** **07-99**

(52) **U.S. Cl.** **D7/397; D7/398; D7/213; D9/440**

(58) **Field of Classification Search** D7/397, D7/368, 213, 70, 400, 387, 398; 99/323.1, 99/277.2; 222/479, 478; D9/440

See application file for complete search history.

(56) **References Cited**

U.S. PATENT DOCUMENTS

2,825,495	A *	3/1958	Fazio	222/478
3,630,419	A *	12/1971	Pierce	222/478
3,966,099	A *	6/1976	Sanford et al.	222/478
D326,816	S *	6/1992	Abrams	D9/435
5,211,318	A *	5/1993	Govatzidakis	222/479
D418,417	S *	1/2000	Hollinger	D9/440

D421,908	S *	3/2000	Abrams	D9/440
6,230,944	B1 *	5/2001	Castellano et al.	222/481.5
D468,205	S *	1/2003	Pierce	D9/440
D484,801	S *	1/2004	Pierce	D9/440
D533,776	S *	12/2006	Allen et al.	D9/440
D587,524	S *	3/2009	Allen et al.	D7/398
D591,594	S *	5/2009	Jalet	D9/440
D614,443	S *	4/2010	Federighi	D7/398
D624,358	S *	9/2010	Maufette et al.	D7/398
D631,291	S *	1/2011	Kushner et al.	D7/398
D642,018	S *	7/2011	Zamarripa et al.	D7/398
2006/0000855	A1 *	1/2006	Allen et al.	222/484

* cited by examiner

Primary Examiner — Marianne Pandozzi

(74) *Attorney, Agent, or Firm* — Michael J. Corrigan

(57) **CLAIM**

The ornamental design for a wine aerator, as shown and described.

DESCRIPTION

FIG. 1 is a front right perspective view of wine aerator; FIG. 2 is an enlarged front view thereof; FIG. 3 is rear view thereof; FIG. 4 is a right side view thereof; FIG. 5 is a left side view thereof; FIG. 6 is a top plan view thereof; and, FIG. 7 is a bottom plan view thereof.

The broken lines in the drawing are included for the purpose of illustration and form no part of the claimed design.

1 Claim, 3 Drawing Sheets

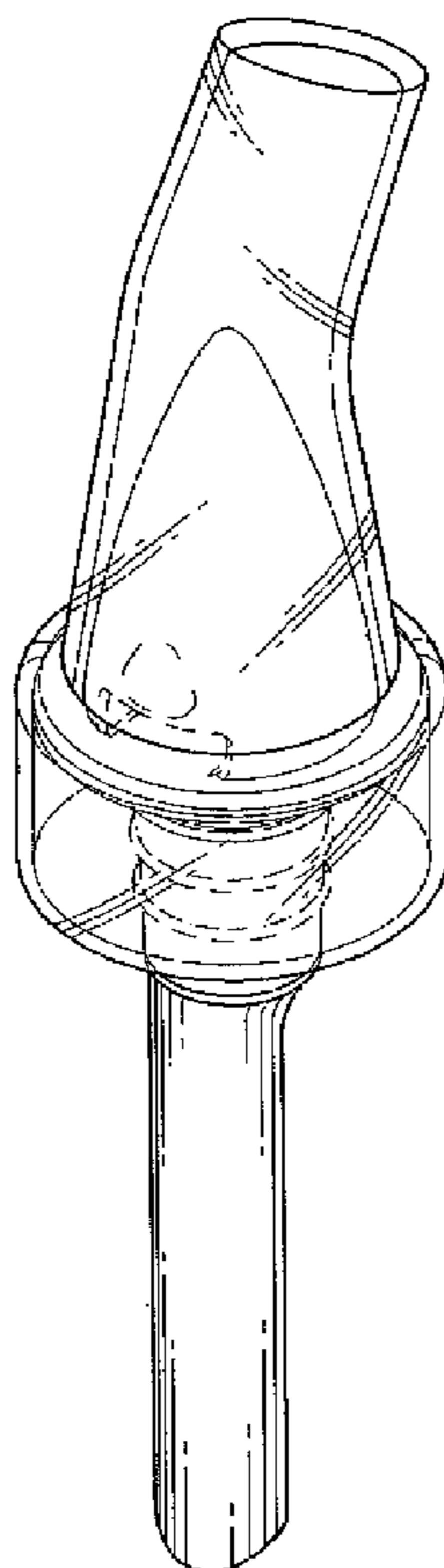


FIG. 1

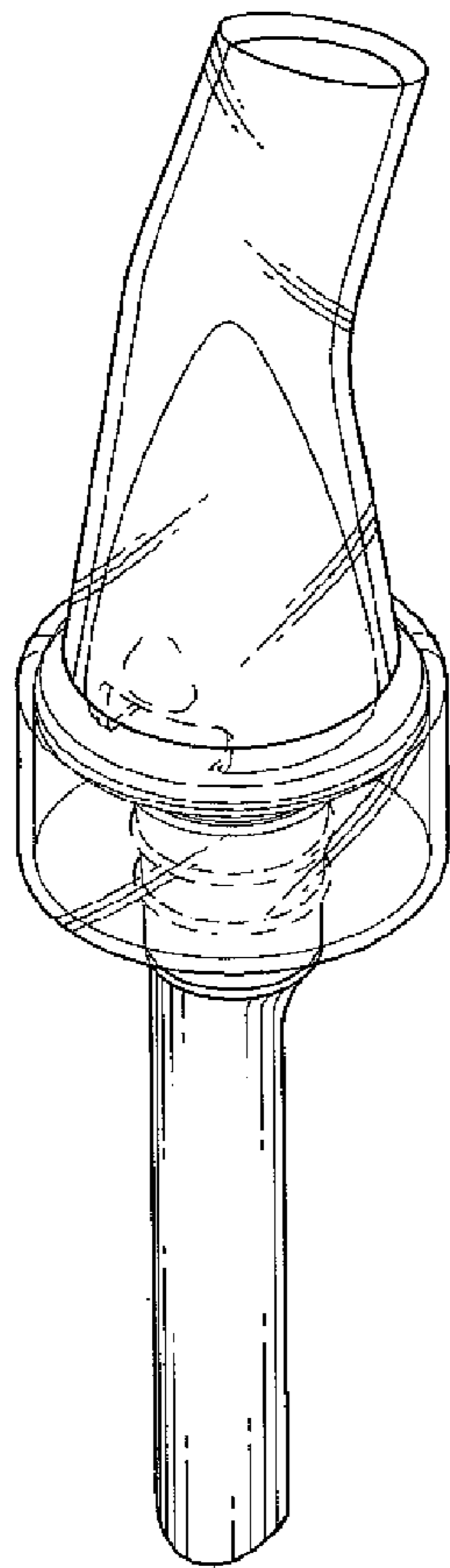


FIG. 2

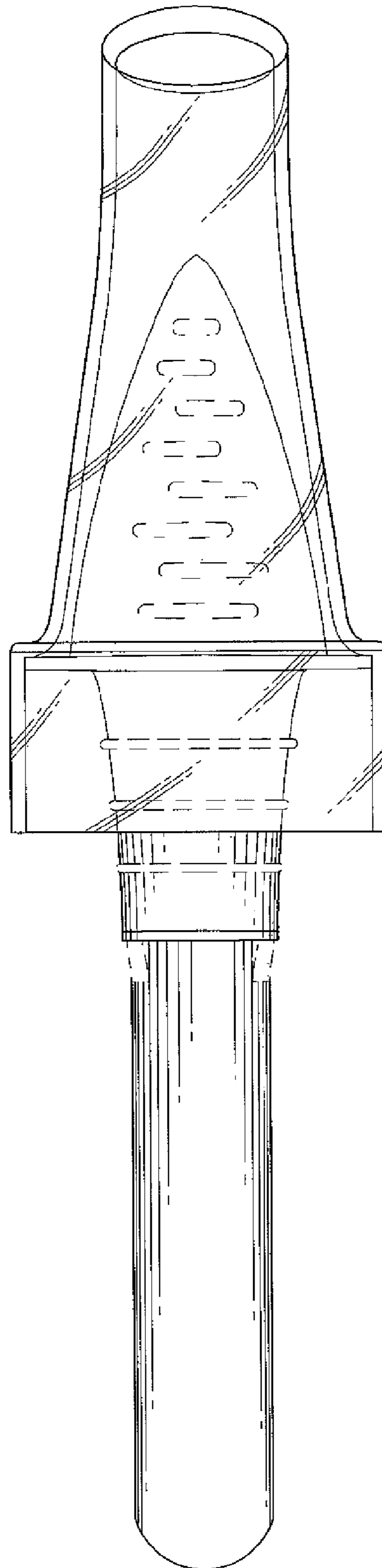


FIG. 3

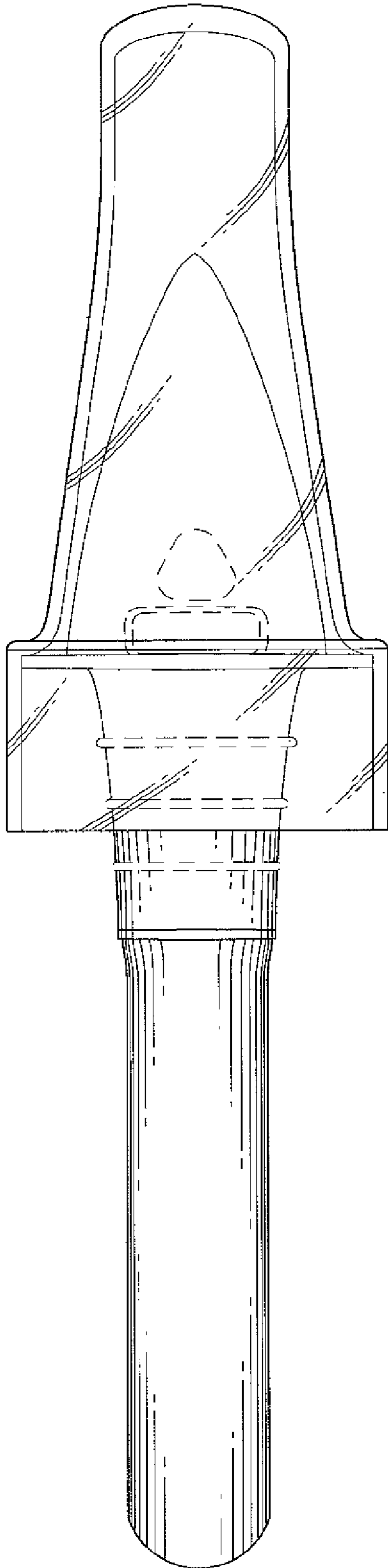


FIG. 4

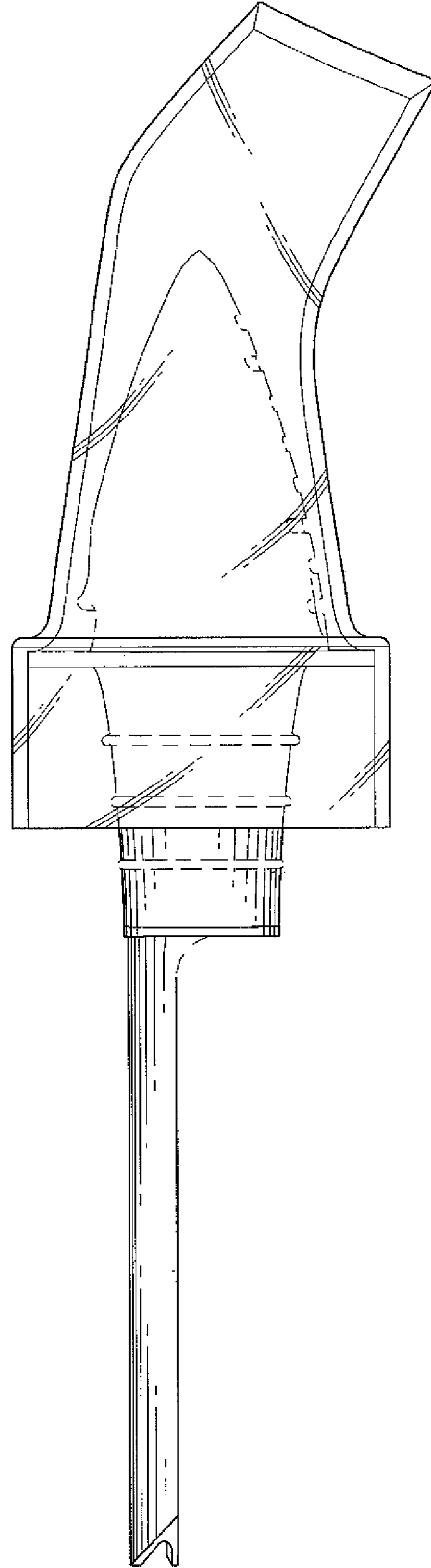


FIG. 5

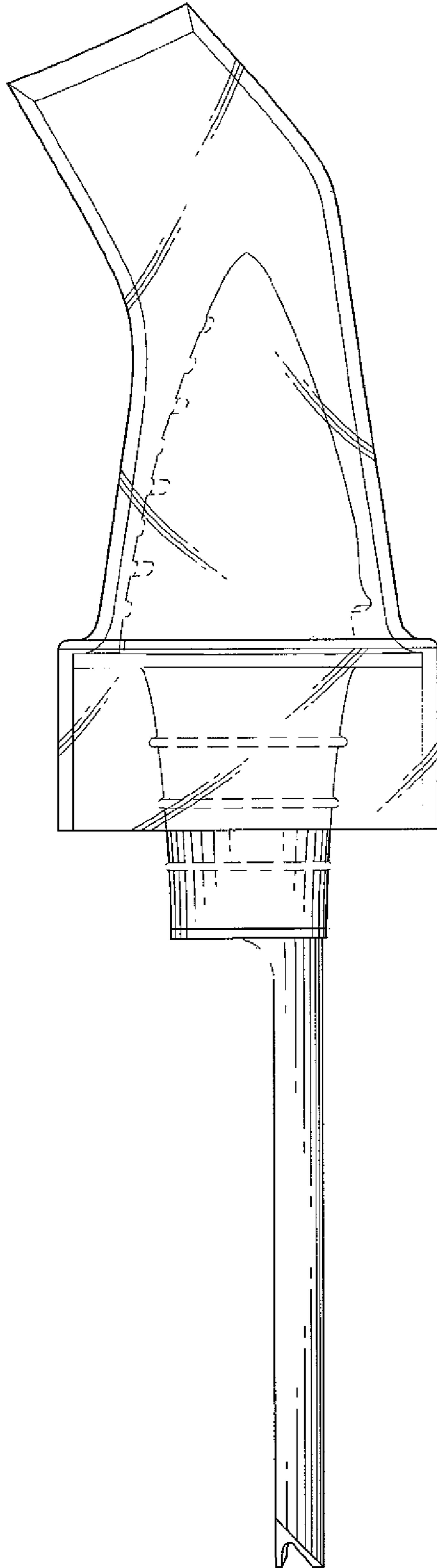


FIG. 6

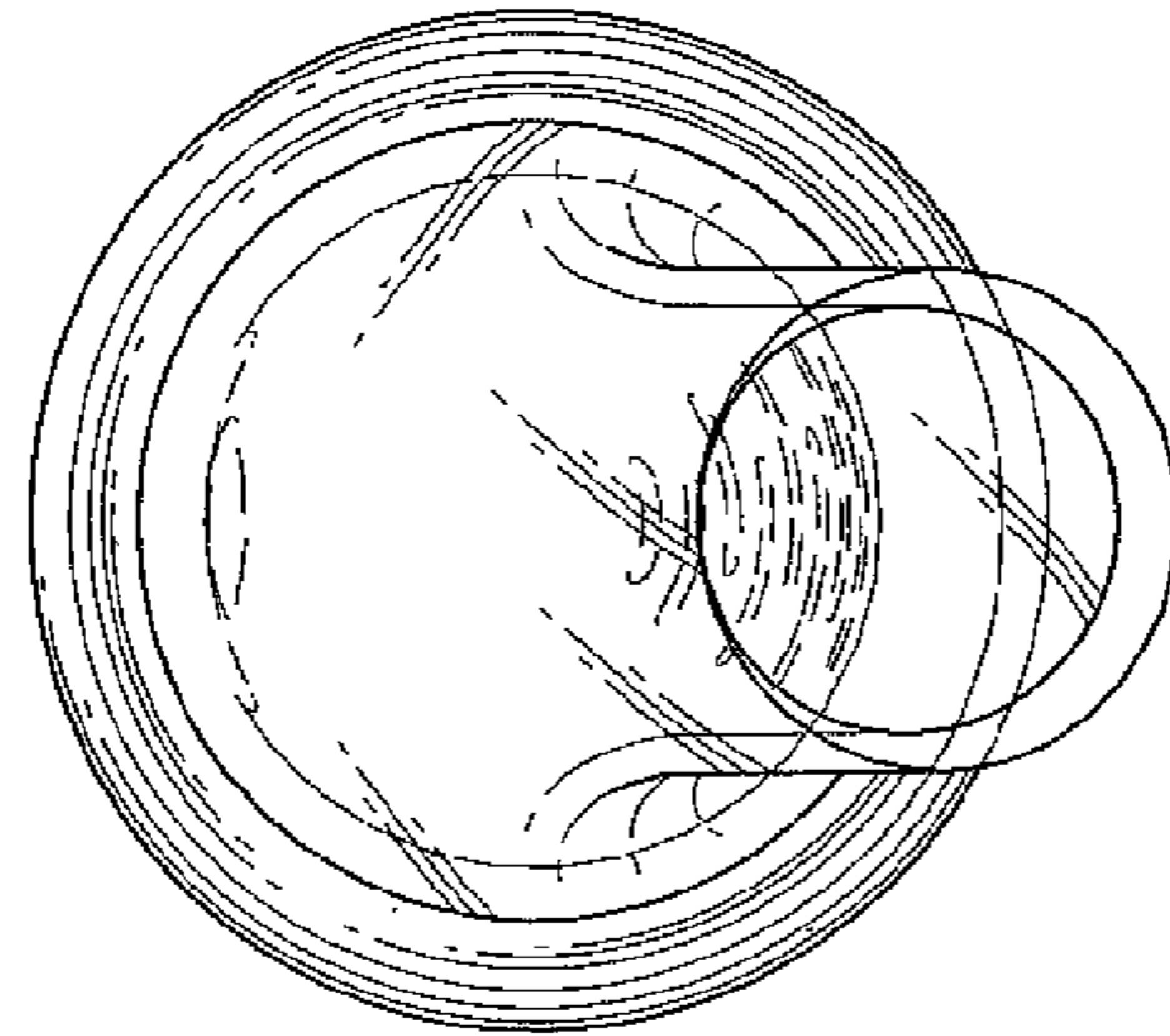


FIG. 7

