



US00D652246S

(12) **United States Design Patent**
Bodum

(10) **Patent No.:** **US D652,246 S**

(45) **Date of Patent:** **** Jan. 17, 2012**

(54) **BEVERAGE MAKER**

(75) Inventor: **Jørgen Bodum**, Meggen (CH)

(73) Assignee: **Pi-Design AG**, Triengen (CH)

(**) Term: **14 Years**

(21) Appl. No.: **29/359,689**

(22) Filed: **Apr. 14, 2010**

(30) **Foreign Application Priority Data**

Nov. 2, 2009 (WO) 519 606 901

(51) **LOC (9) Cl.** **07-01**

(52) **U.S. Cl.** **D7/319; D7/317**

(58) **Field of Classification Search** D7/300,
D7/316-319, 312, 322; 99/297, 287, 298,
99/279; 366/256

See application file for complete search history.

(56) **References Cited**

U.S. PATENT DOCUMENTS

D343,333 S *	1/1994	Jorgensen	D7/317
D343,760 S *	2/1994	Lin	D7/318
D377,132 S *	1/1997	Jørgensen	D7/318
D383,639 S *	9/1997	Jorgensen	D7/319
D386,040 S *	11/1997	Joergensen	D7/317
D386,275 S *	11/1997	Haugaard et al.	D26/67
D386,351 S *	11/1997	Joergensen	D7/319
D388,275 S *	12/1997	Joergensen	D7/319
6,152,018 A *	11/2000	Yeh	99/279
D448,602 S *	10/2001	Bodum	D7/319
D448,603 S *	10/2001	Yeh	D7/319
D449,957 S *	11/2001	Yeh	D7/319
D450,521 S *	11/2001	Joergensen	D7/319
D557,978 S *	12/2007	Bodum	D7/399

D559,030 S *	1/2008	Bodum	D7/319
D563,713 S *	3/2008	Bodum	D7/319
D566,454 S *	4/2008	Bodum	D7/319
D573,396 S *	7/2008	Gauss	D7/319
D594,267 S *	6/2009	Bodum	D7/319
D594,687 S *	6/2009	Bodum	D7/300
D610,860 S *	3/2010	Bodum	D7/319
D612,660 S *	3/2010	Bodum	D7/319
D628,846 S *	12/2010	Bodum	D7/319

FOREIGN PATENT DOCUMENTS

WO	DM070278	6/2008
WO	DM070345	6/2008
WO	DM072374	10/2009
WO	2009149568 A2	12/2009
WO	2010031198 A2	3/2010

* cited by examiner

Primary Examiner — Marianne Pandozzi

(74) *Attorney, Agent, or Firm* — Sughrue Mion, PLLC

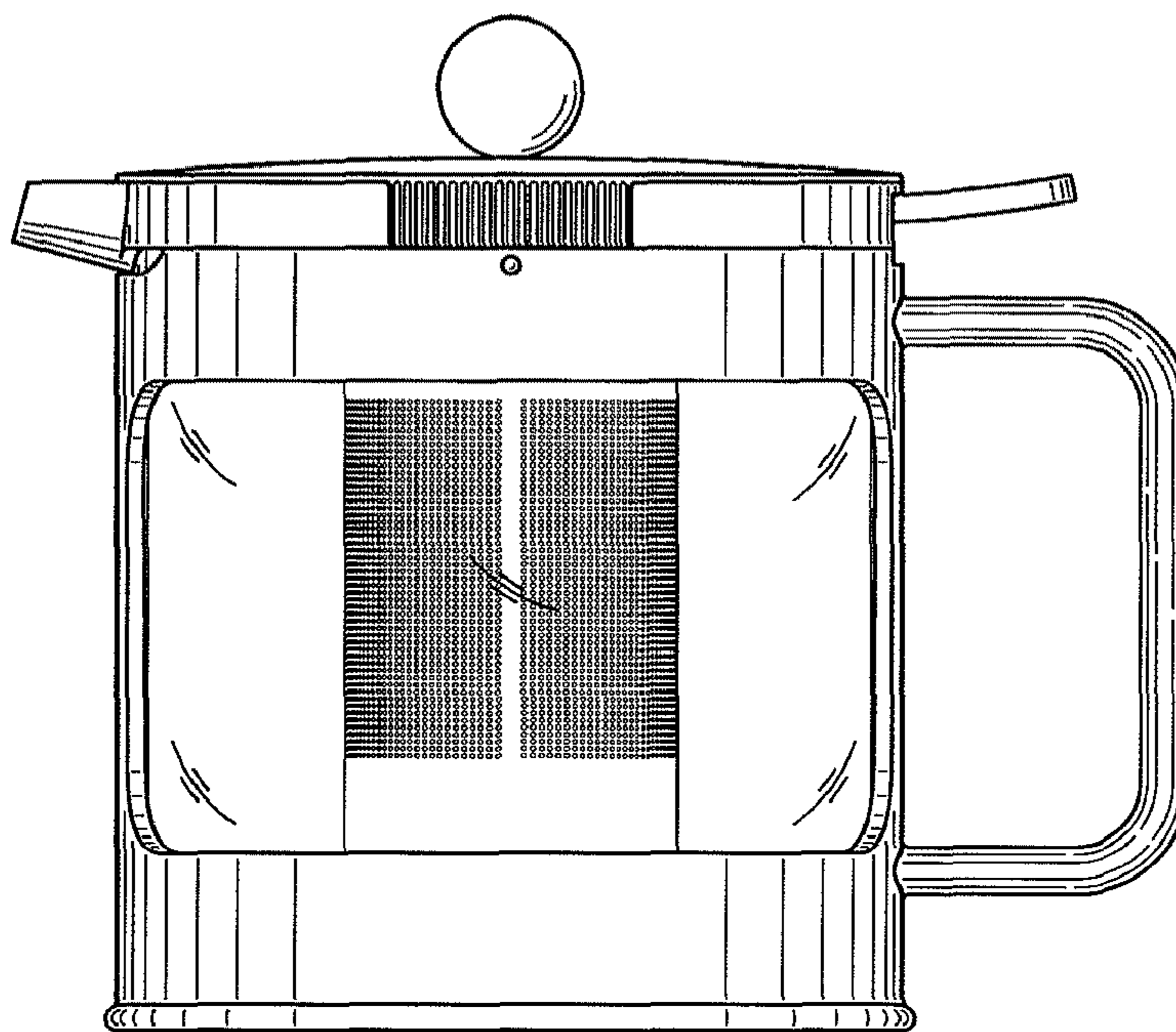
(57) **CLAIM**

The ornamental design for a beverage maker, as shown and described.

DESCRIPTION

FIG. 1 is a perspective view of a beverage maker showing my new design;
FIG. 2 is a right elevation view thereof;
FIG. 3 is a left elevation view thereof;
FIG. 4 is a front elevation view thereof;
FIG. 5 is a back side elevation view thereof;
FIG. 6 is a top plan view thereof;
FIG. 7 is a bottom view of thereof; and,
FIG. 8 is an exploded perspective view.

1 Claim, 8 Drawing Sheets



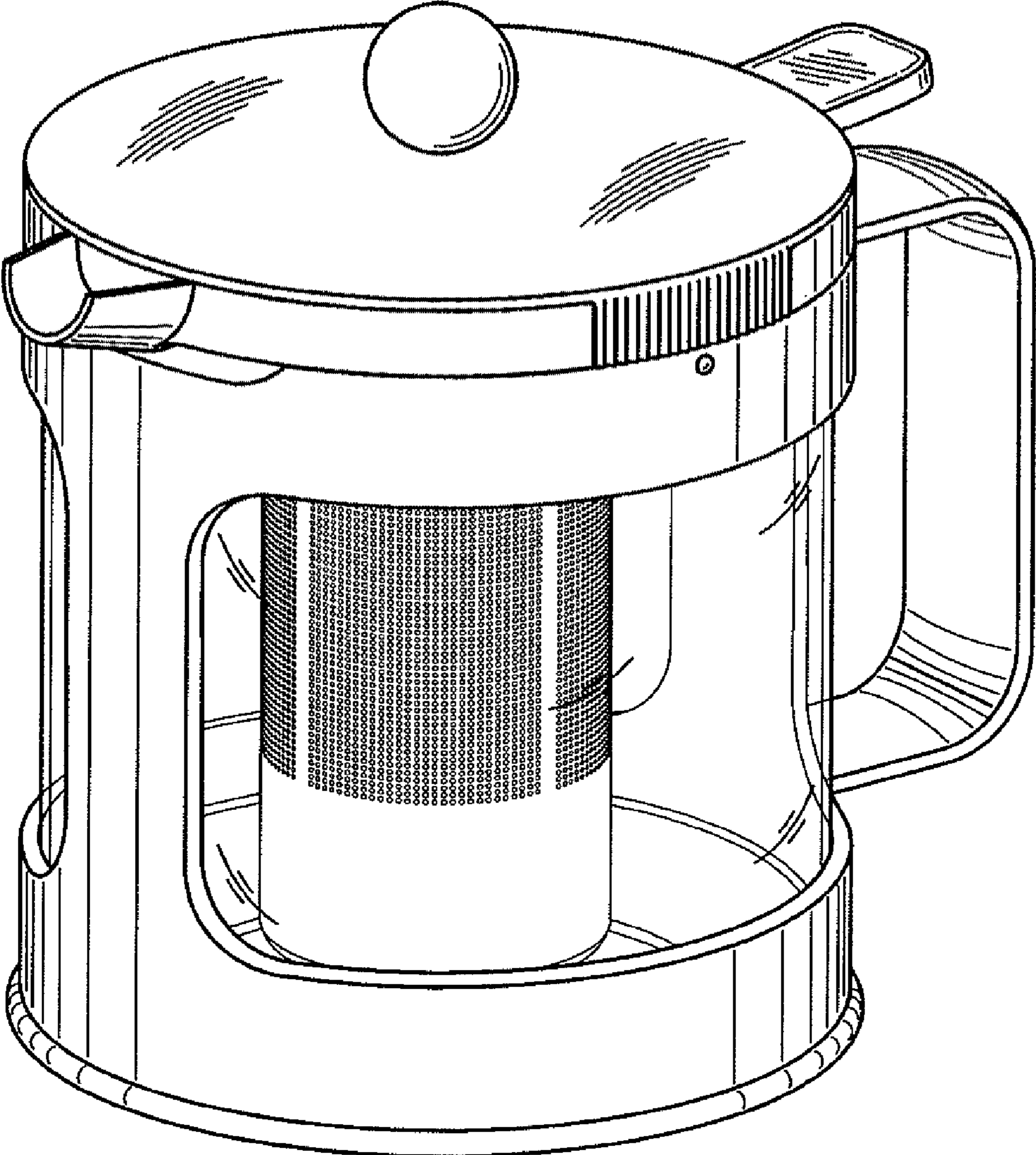


FIG. 1

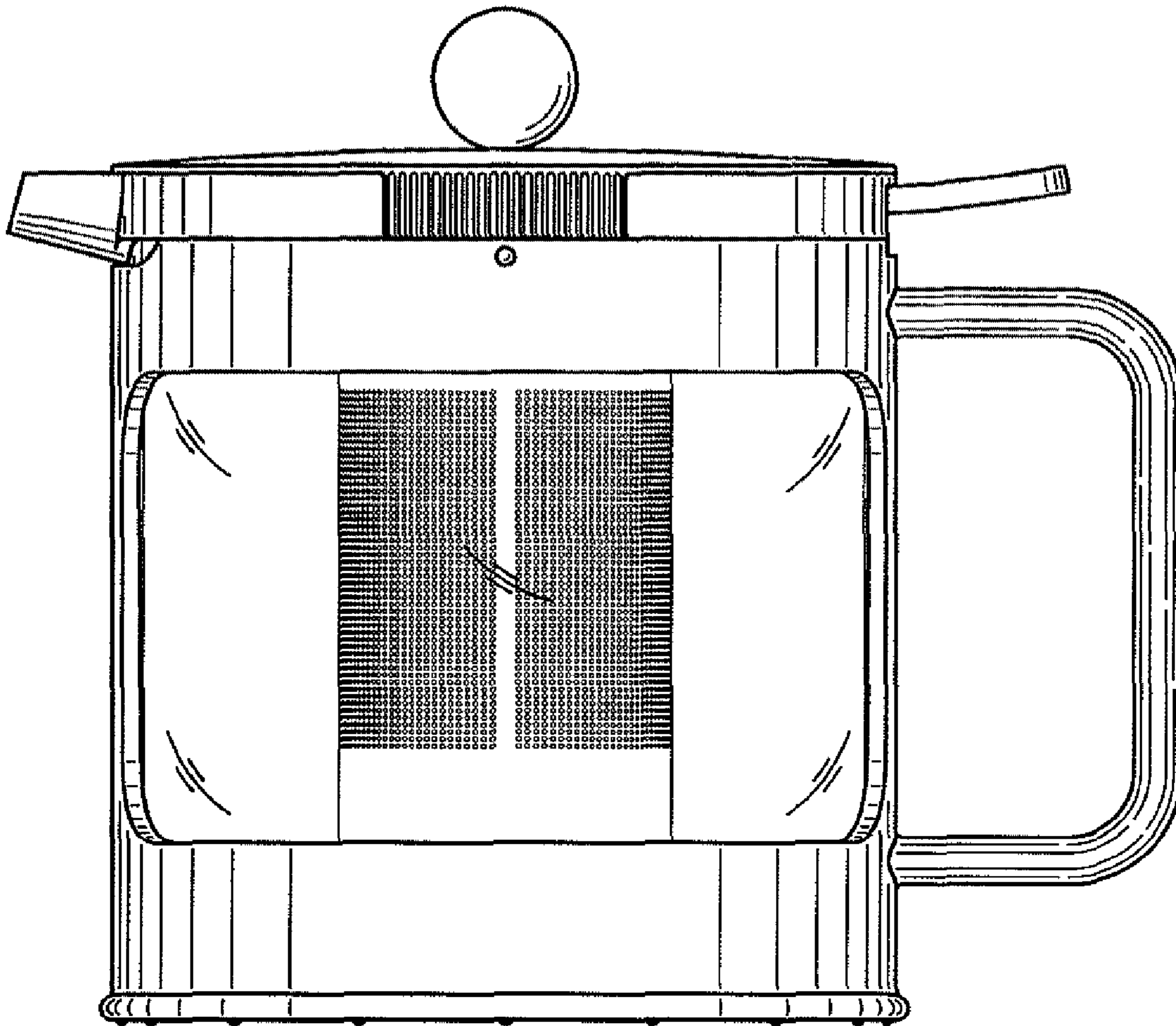


FIG. 2

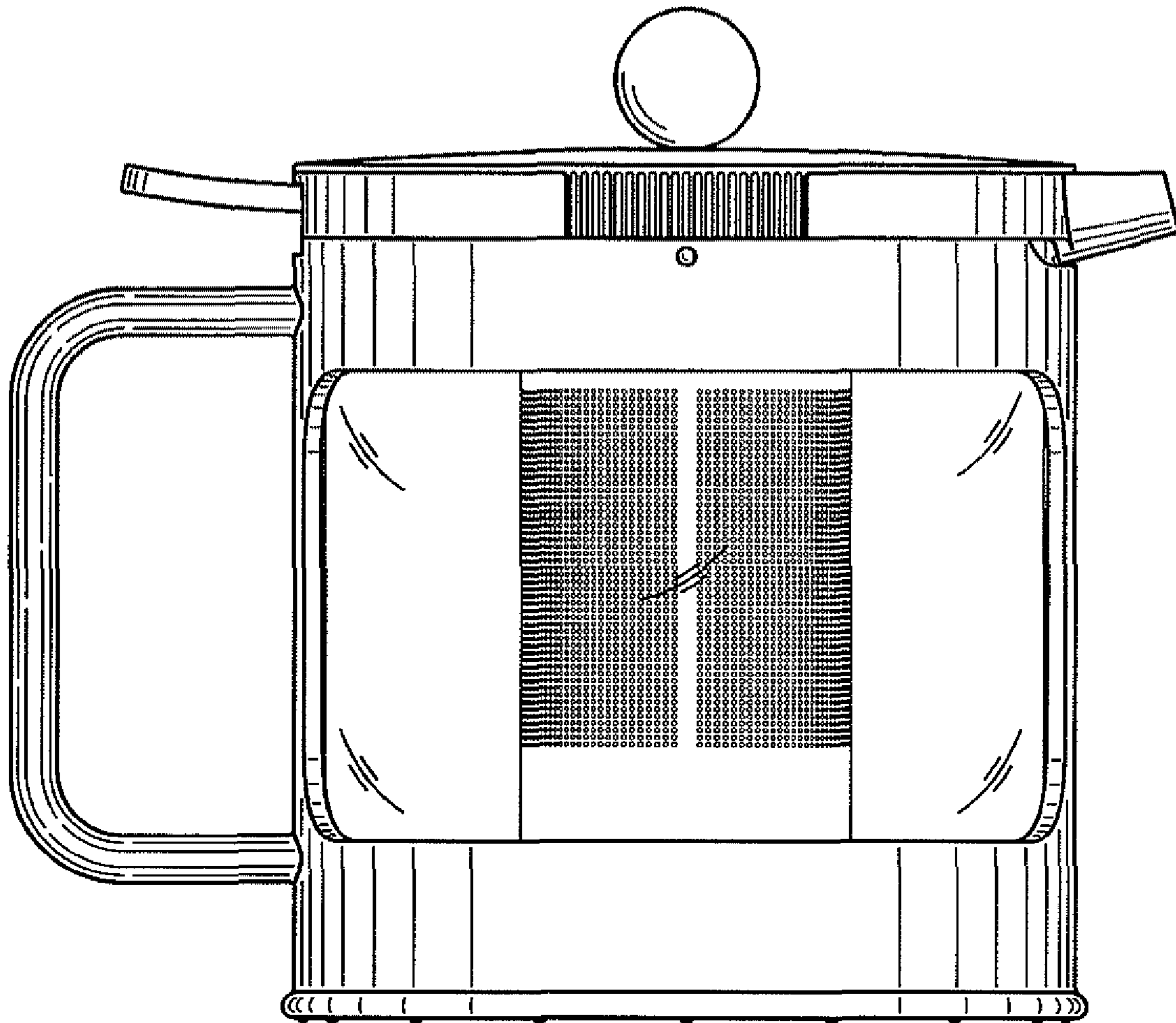


FIG. 3

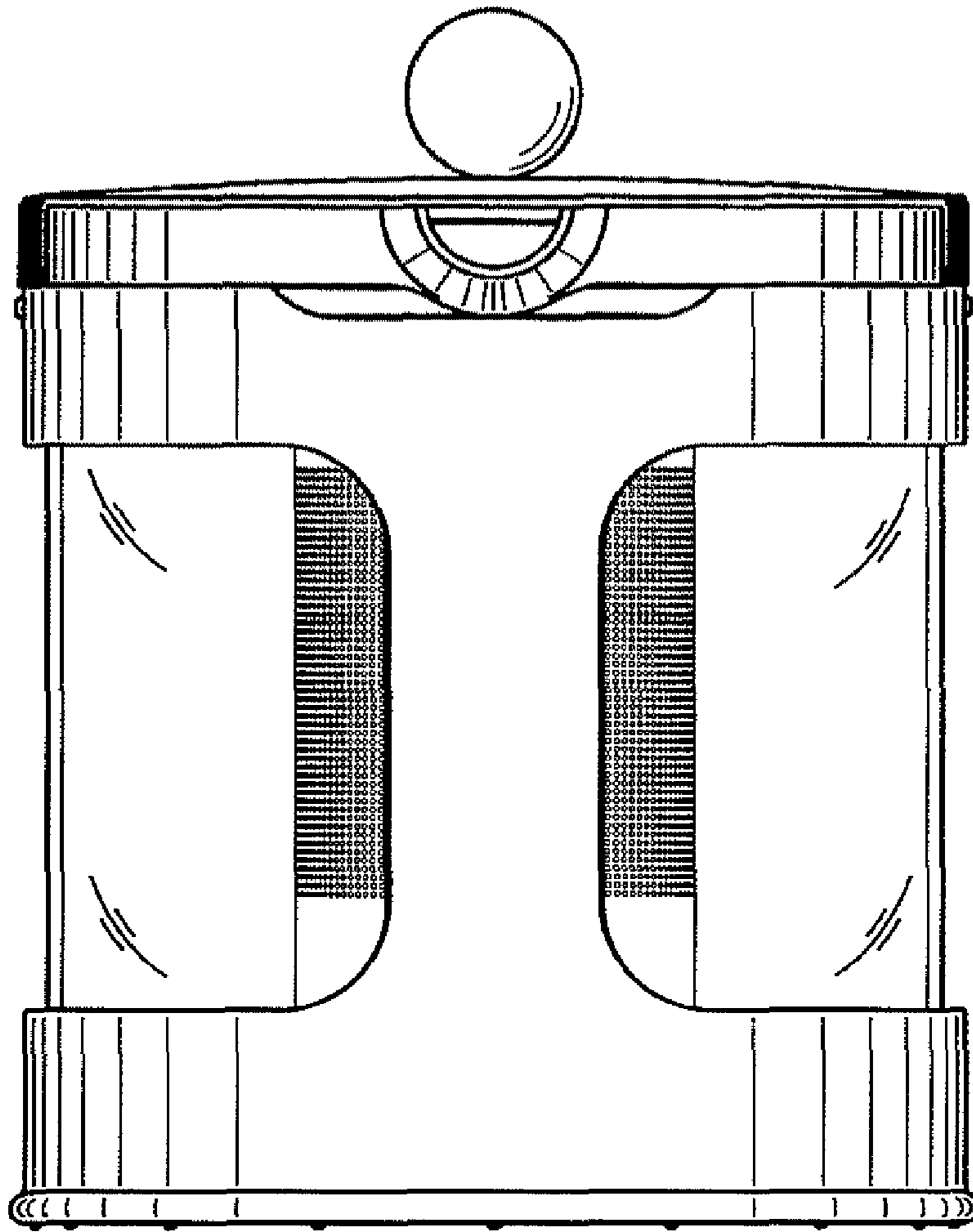


FIG. 4

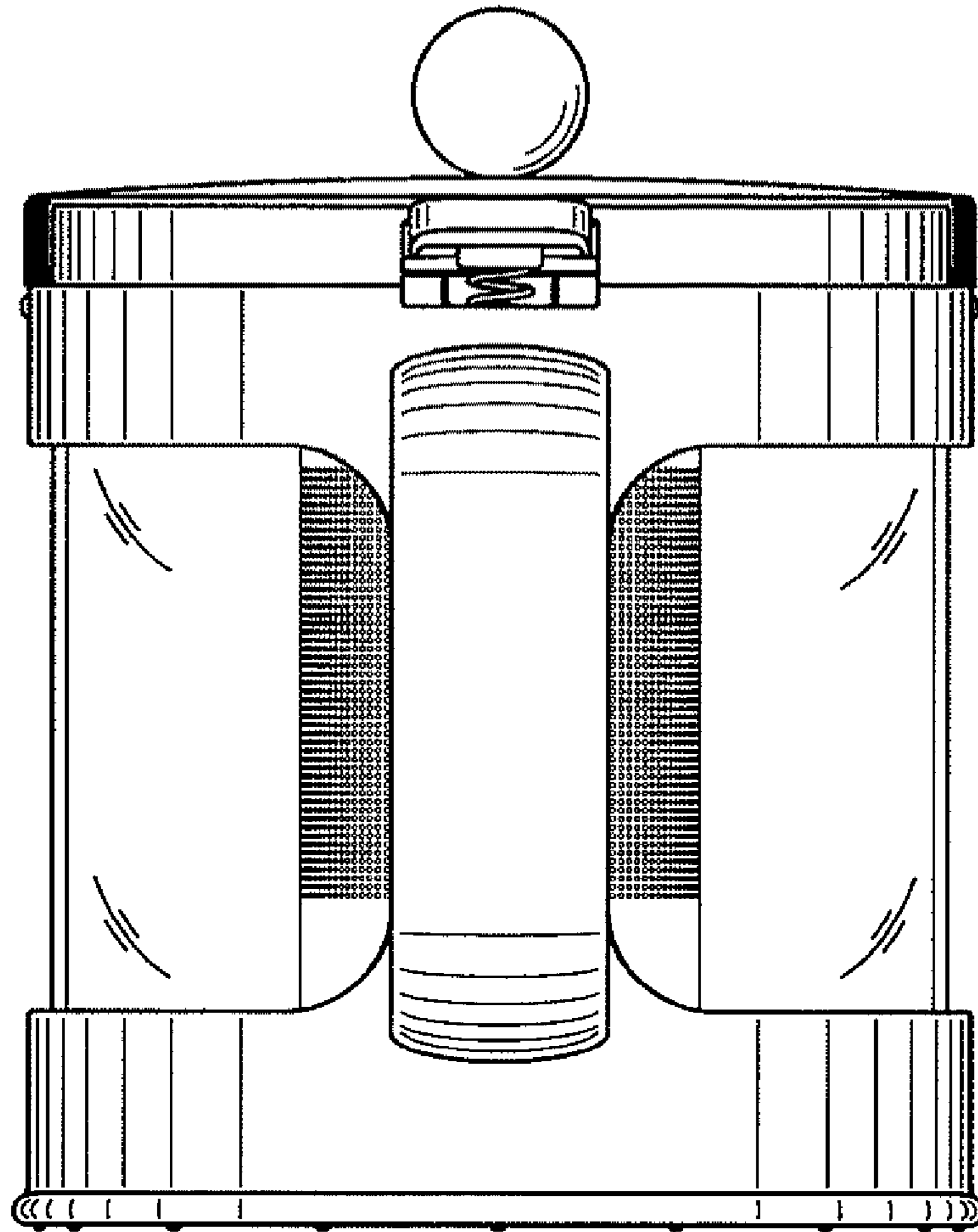


FIG. 5

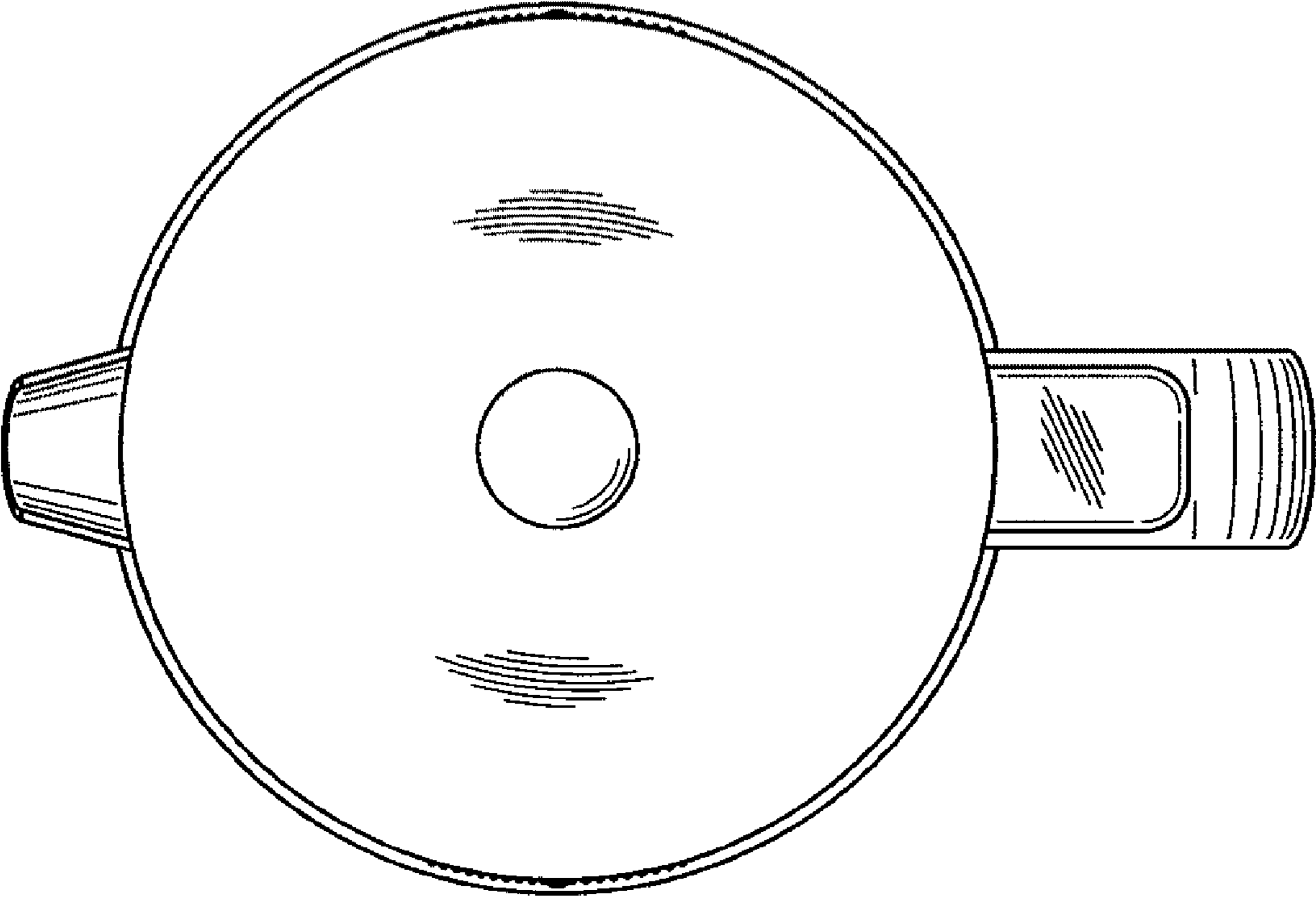


FIG. 6

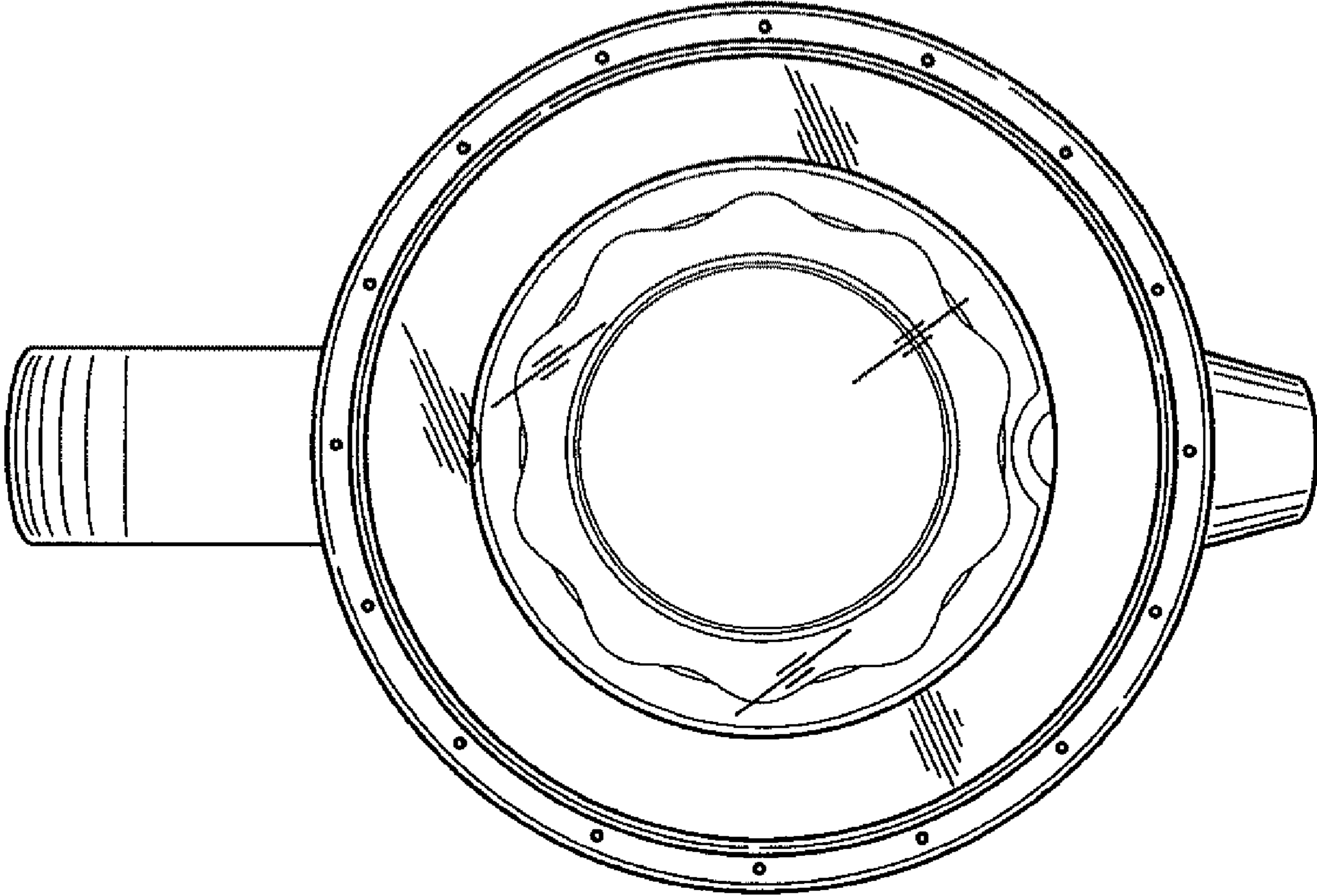


FIG. 7

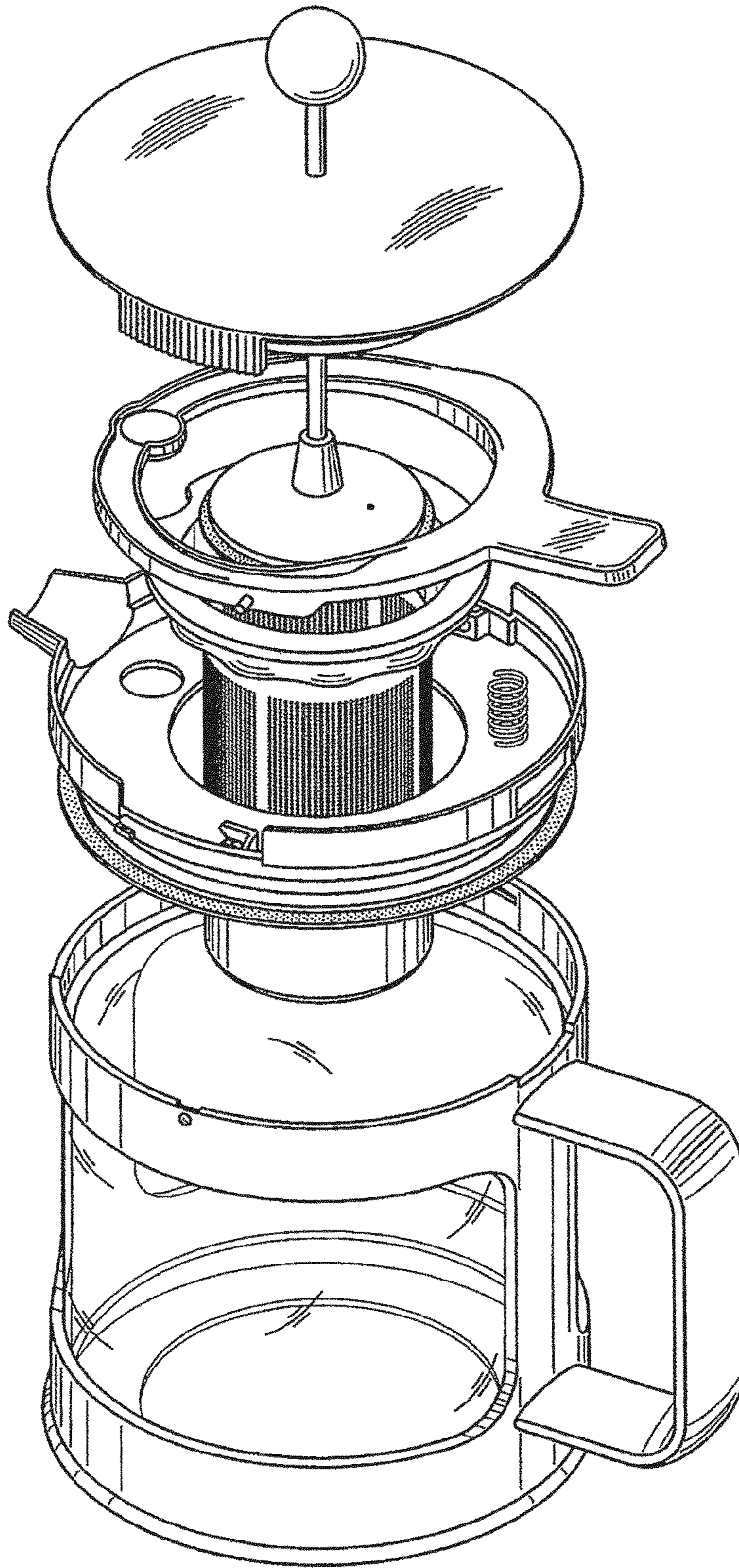


FIG. 8