



US00D652243S

(12) **United States Design Patent**  
**Richardson et al.**

(10) **Patent No.:** **US D652,243 S**  
(45) **Date of Patent:** **\*\* Jan. 17, 2012**

(54) **BEVERAGE MAKER APPLIANCE**  
(75) Inventors: **Chad David Richardson**, Lawrence, KS (US); **Keith DeBald**, Gardner, KS (US); **Luke E. Kelly**, Bonner Springs, KS (US)

D598,695 S \* 8/2009 Currie ..... D7/311  
D600,491 S \* 9/2009 Hammad et al. .... D7/309  
D608,131 S \* 1/2010 Meldrum et al. .... D7/307  
D626,367 S \* 11/2010 Gross et al. .... D7/301  
D627,187 S \* 11/2010 Voron et al. .... D7/307  
D628,006 S \* 11/2010 Gross et al. .... D7/301

(73) Assignee: **BE Aerospace, Inc.**, Wellington, FL (US)

\* cited by examiner

(\*\*) Term: **14 Years**

*Primary Examiner* — Marianne Pandozzi

(21) Appl. No.: **29/378,507**

(74) *Attorney, Agent, or Firm* — Shumaker, Loop & Kendrick LLP

(22) Filed: **Nov. 5, 2010**

(51) **LOC (9) Cl.** ..... **07-01**

(52) **U.S. Cl.** ..... **D7/307; D7/308**

(58) **Field of Classification Search** ..... D7/300,  
D7/306-308, 309-311, 313, 305, 378, 397;  
222/1, 129.1, 146.6, 185.1; 99/279; D20/1,  
D20/4

See application file for complete search history.

(57) **CLAIM**

The ornamental design for a beverage maker appliance, as shown and described.

**DESCRIPTION**

FIG. 1 is a front and right side perspective view of a beverage maker appliance showing our new design; FIG. 2 is a front elevational view thereof; FIG. 3 is a top plan view thereof; FIG. 4 is a bottom plan view thereof; FIG. 5 is a right side elevational view thereof; and, FIG. 6 is a left side elevational view thereof.

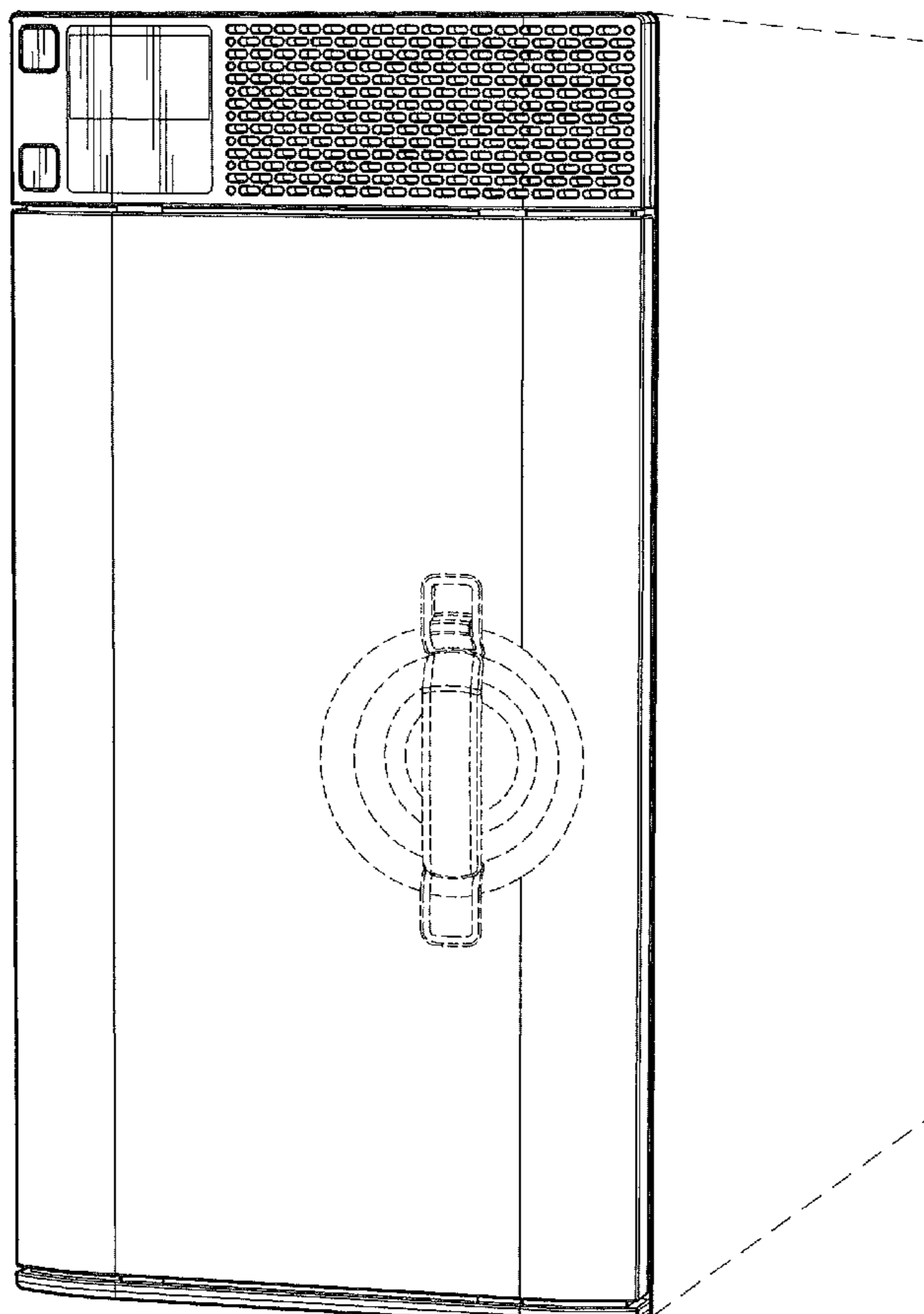
The broken lines shown in the drawing disclosure are for illustrative purposes only and form no part of the claimed design.

(56) **References Cited**

U.S. PATENT DOCUMENTS

D336,002 S \* 6/1993 Balzano ..... D7/309  
D499,599 S \* 12/2004 Morrison ..... D7/309  
D553,897 S \* 10/2007 De' Longhi ..... D7/309  
D566,494 S \* 4/2008 Karl ..... D8/14

**1 Claim, 6 Drawing Sheets**



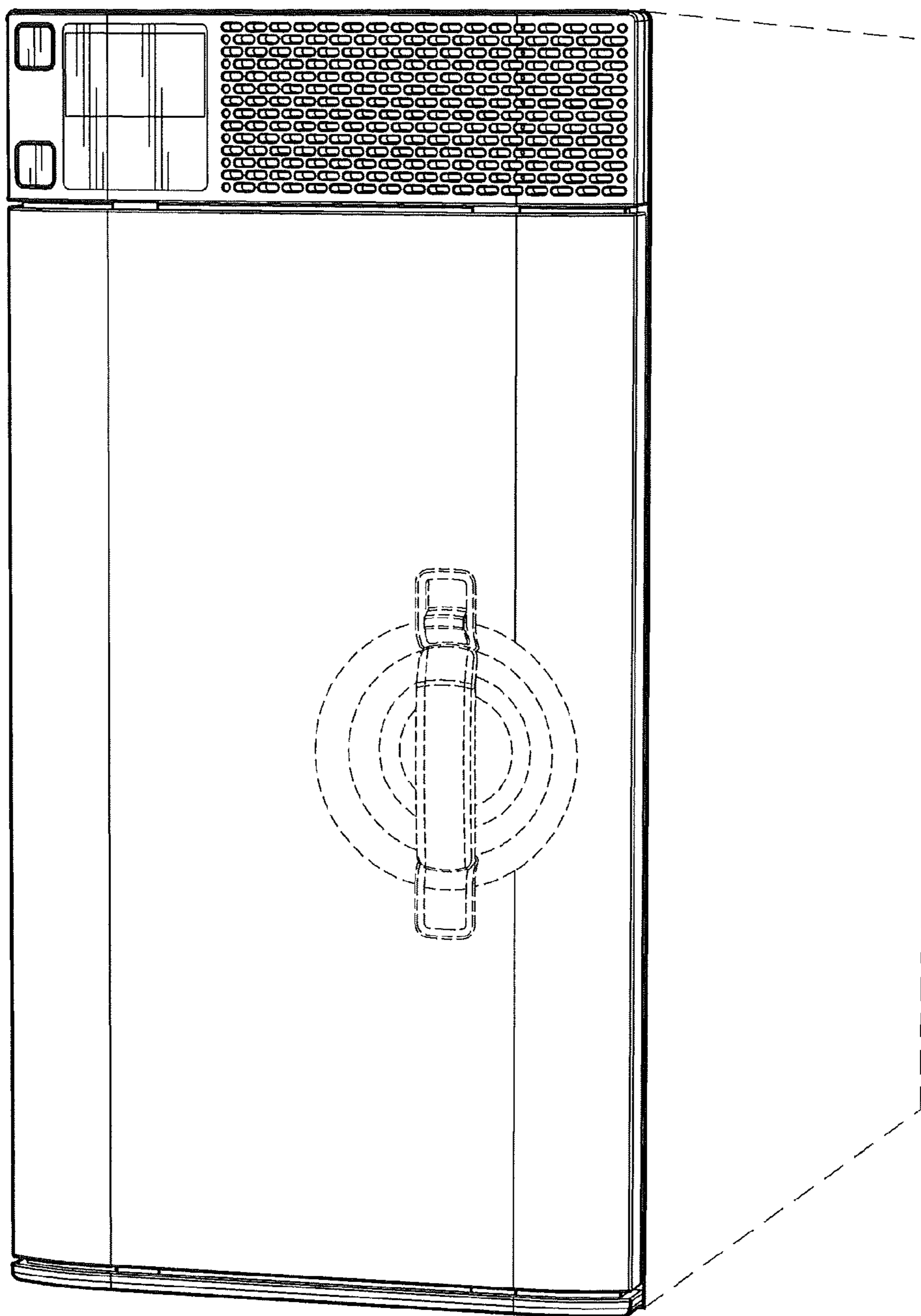


Fig. 1

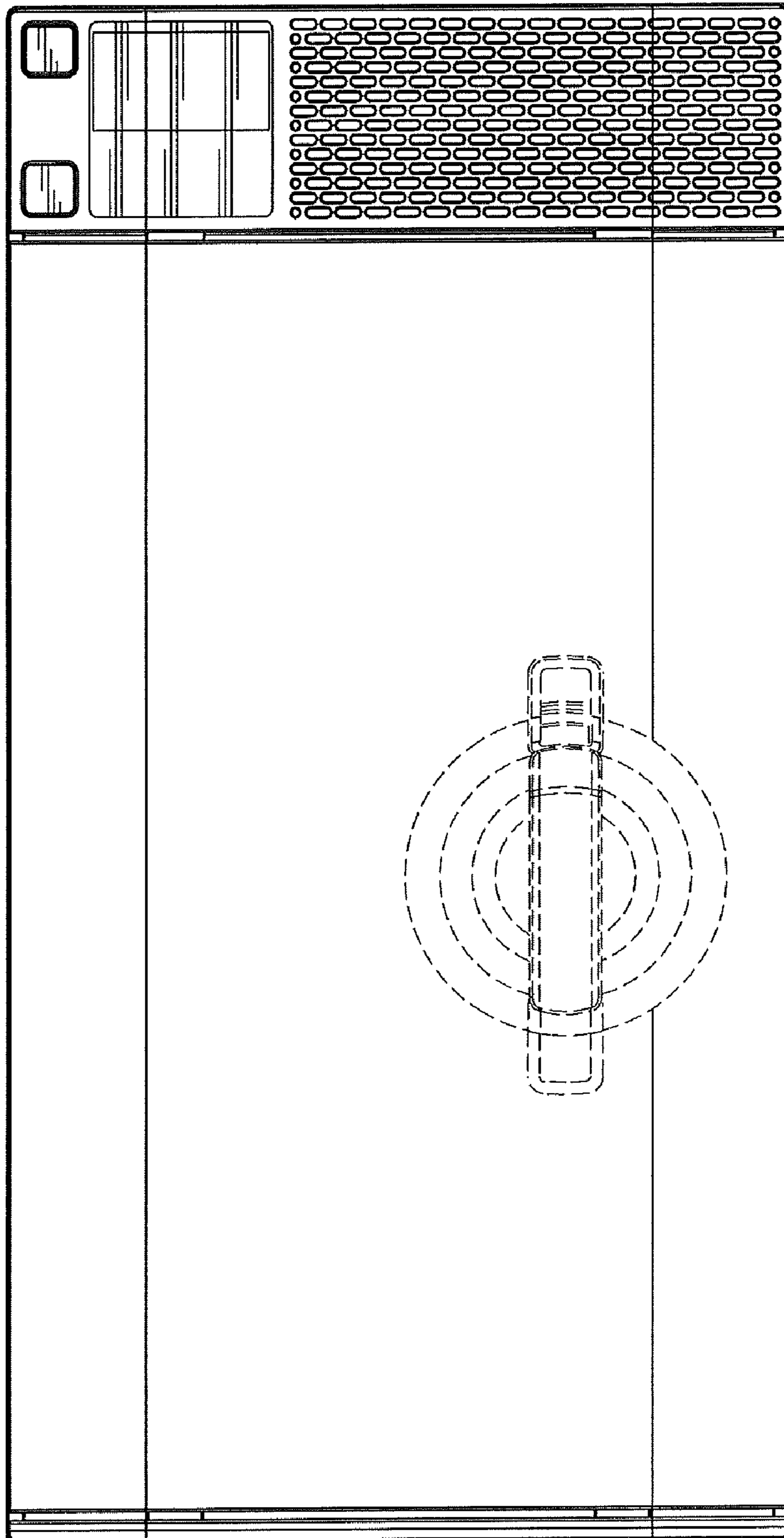


Fig. 2

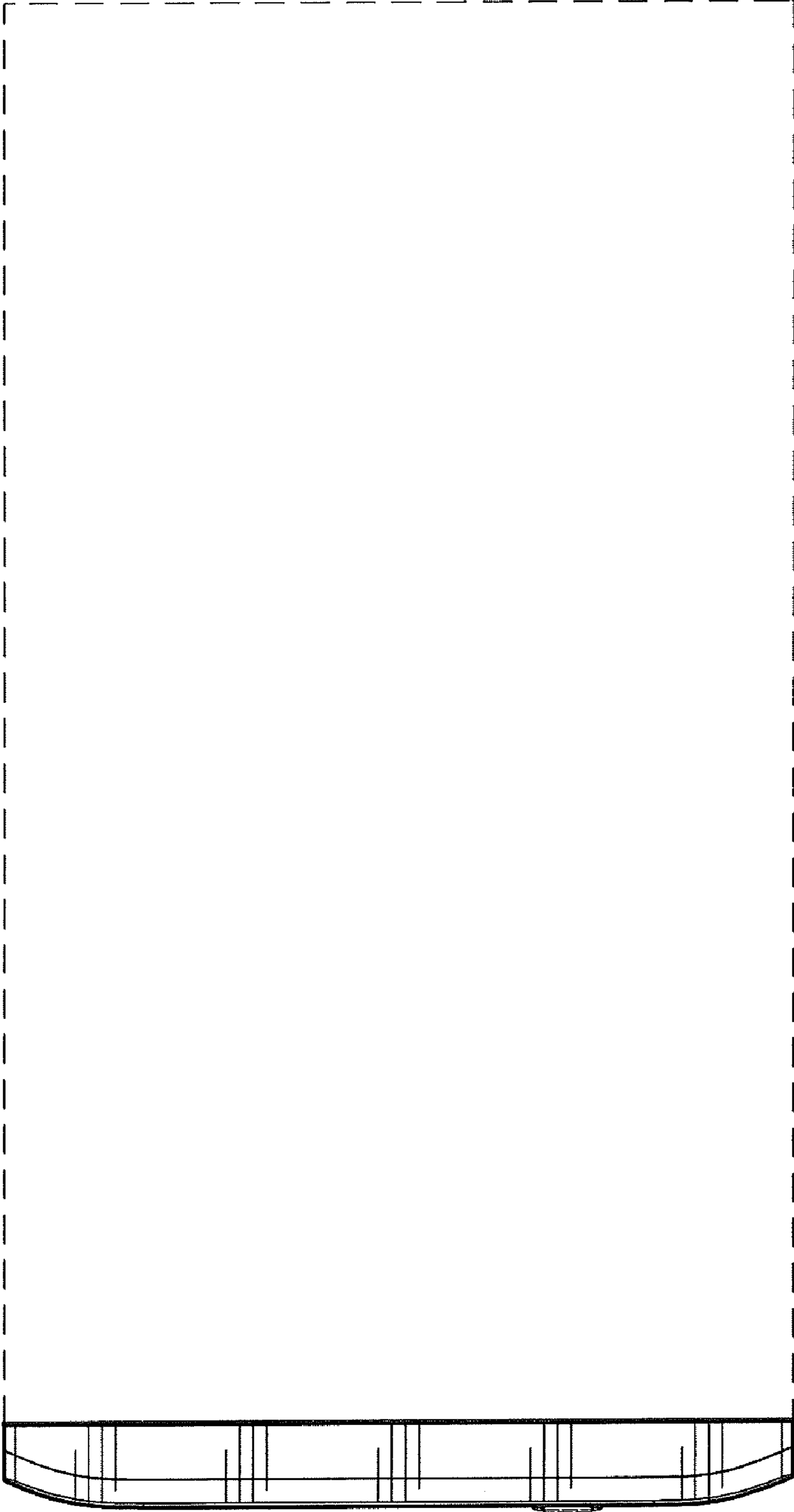


Fig. 3

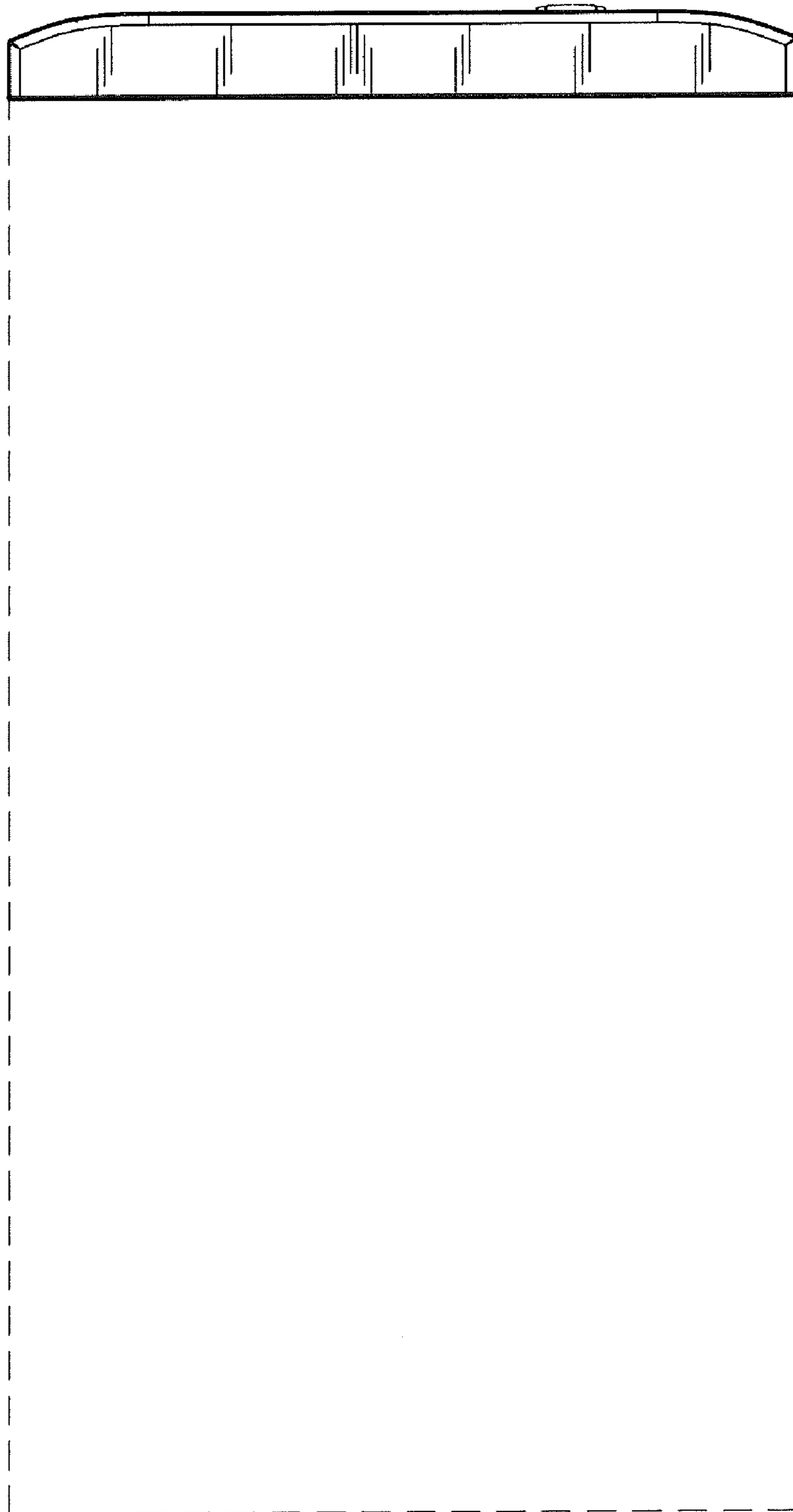


Fig. 4

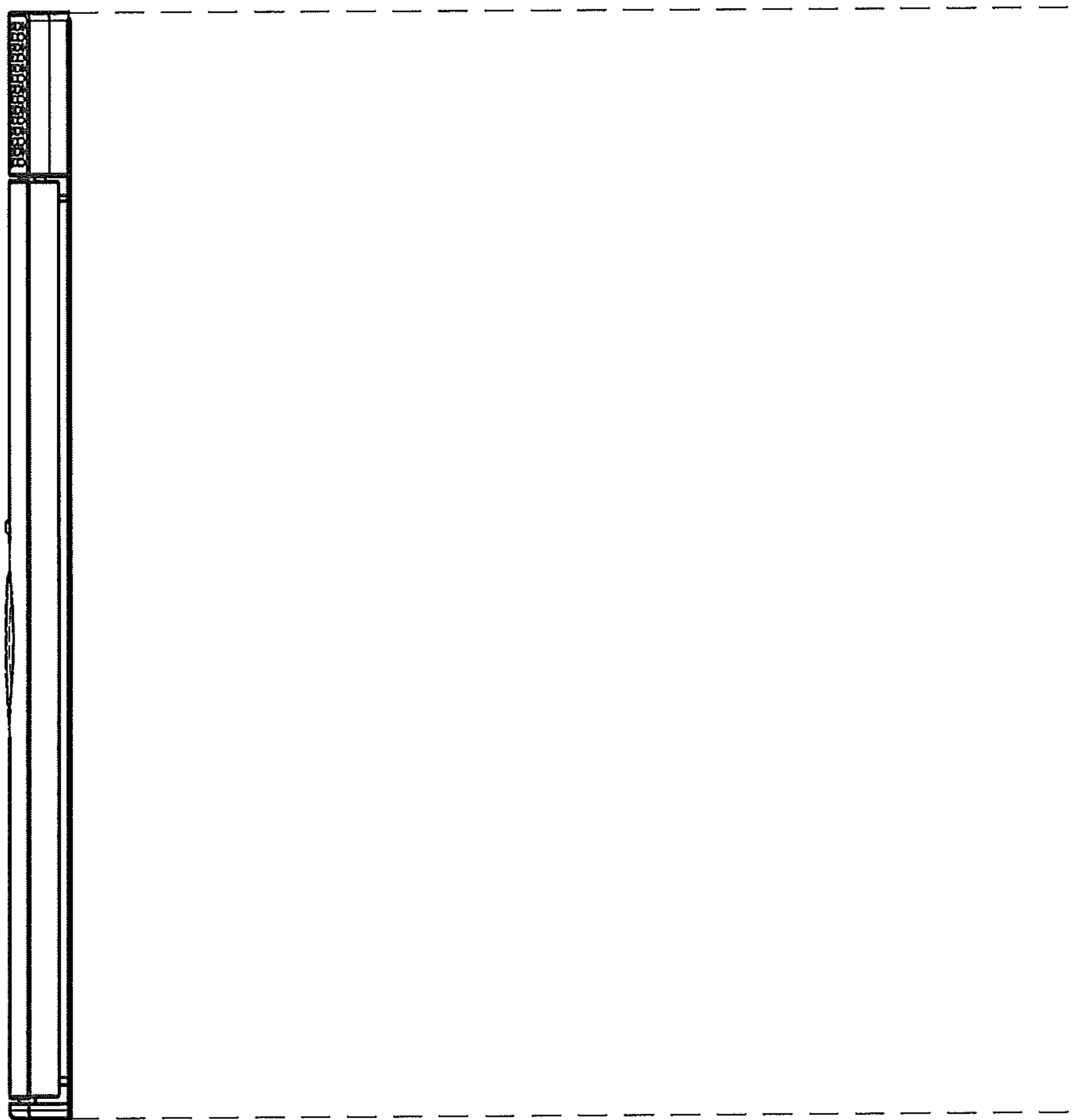


Fig. 5

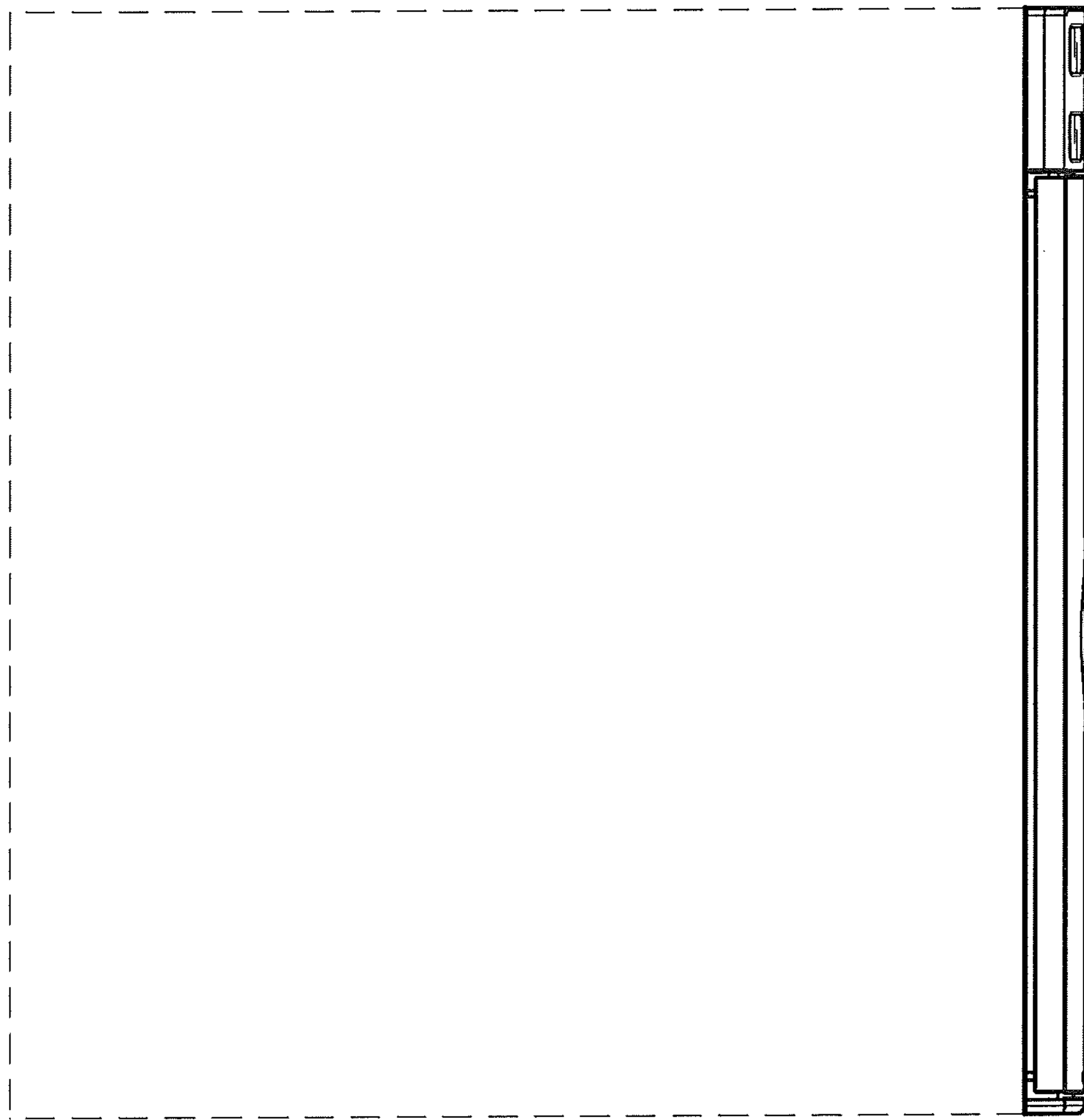


Fig. 6