



US00D652241S

(12) **United States Design Patent**
Harmon

(10) **Patent No.:** **US D652,241 S**
(45) **Date of Patent:** **** Jan. 17, 2012**

(54) **UTILITY BENCH**

(76) Inventor: **Charles Harmon**, East Point, GA (US)

(**) Term: **14 Years**

(21) Appl. No.: **29/370,793**

(22) Filed: **Sep. 7, 2010**

(51) **LOC (9) Cl.** **06-01**

(52) **U.S. Cl.** **D6/631**

(58) **Field of Classification Search** D6/334-335,
D6/349, 352, 355, 360, 364, 366, 367, 374,
D6/376, 379, 380, 498, 500-502, 631; 297/118,
297/188.08, 311, 423.11; D34/12, 23; 280/32.5,
280/32.6, 79.11

See application file for complete search history.

(56) **References Cited**

U.S. PATENT DOCUMENTS

D456,647 S * 5/2002 Whiteside et al. D6/498
D466,668 S * 12/2002 Peschmann D34/23
D511,416 S * 11/2005 Obbitts et al. D6/336

7,097,241 B2 * 8/2006 Tally et al. D6/380
D579,679 S * 11/2008 Qian et al. D6/349
D594,243 S * 6/2009 Mic D6/380

* cited by examiner

Primary Examiner — Brian N Vinson

(74) *Attorney, Agent, or Firm* — Rodgers & Rodgers

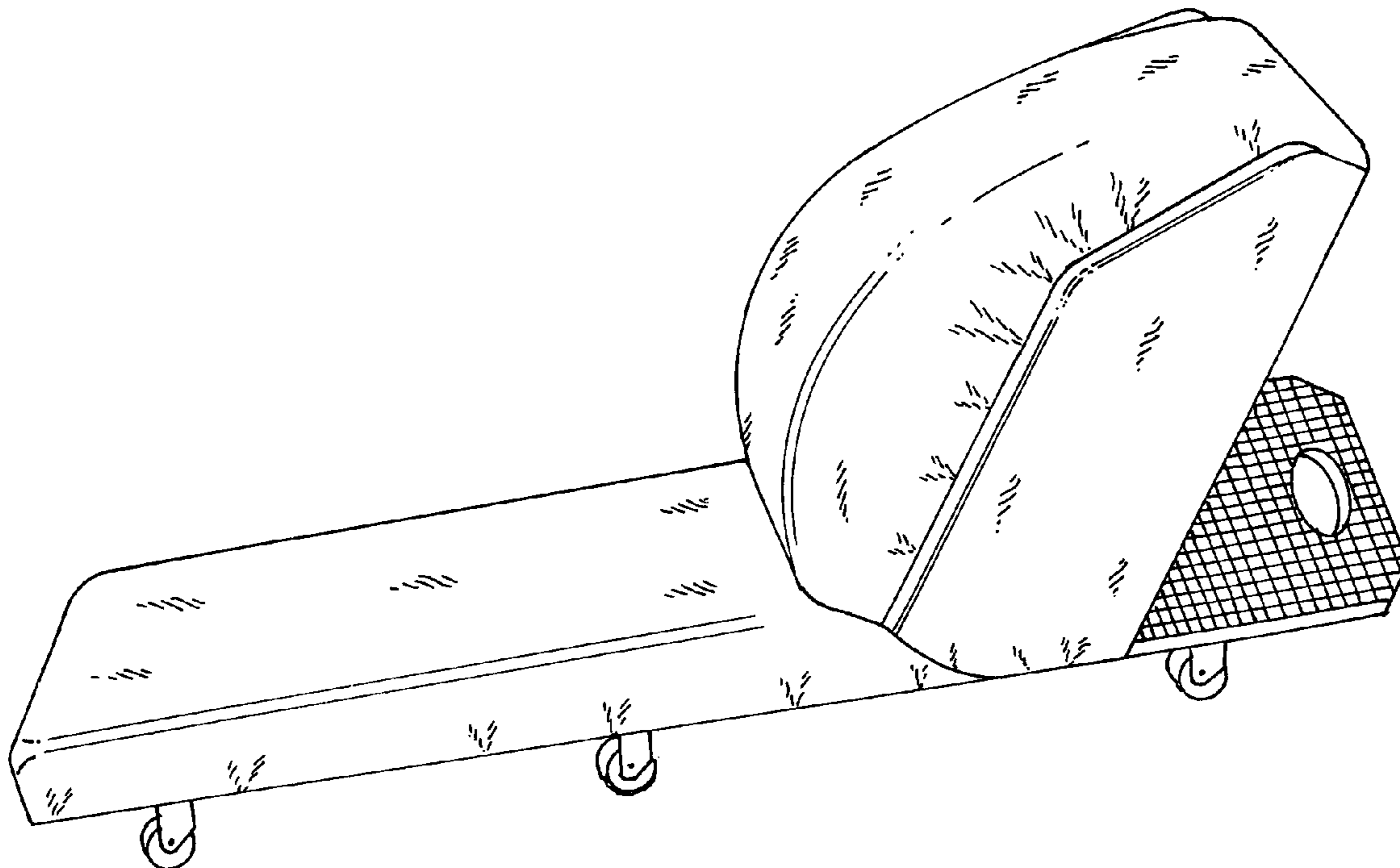
(57) **CLAIM**

The ornamental design for a utility bench, as shown and described.

DESCRIPTION

FIG. 1 is a perspective view of a utility bench showing my new design;
FIG. 2 is a top plan view thereof;
FIG. 3 is a front elevational view thereof, the rear being a mirror image thereof;
FIG. 4 is a bottom plan view thereof;
FIG. 5 is a left-side elevational view thereof; and,
FIG. 6 is a right-side elevational view thereof.

1 Claim, 2 Drawing Sheets



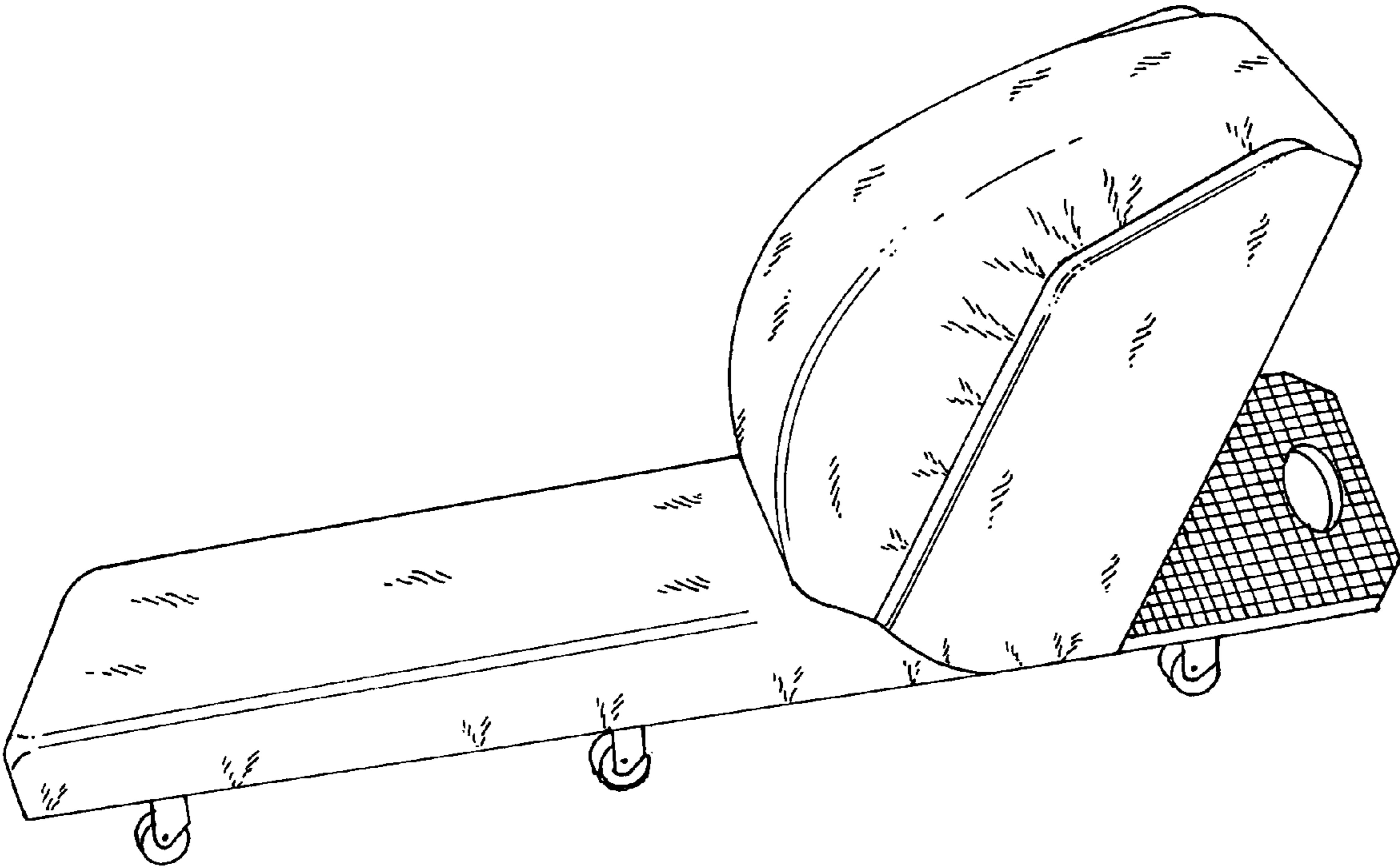


FIG. 1

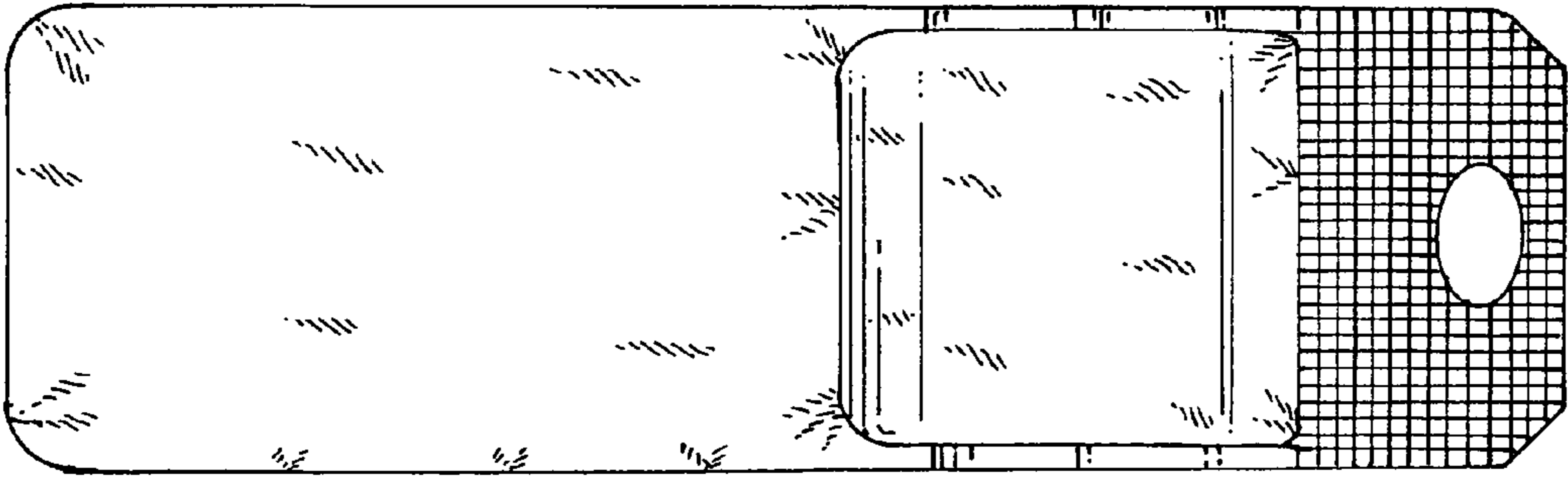


FIG. 2

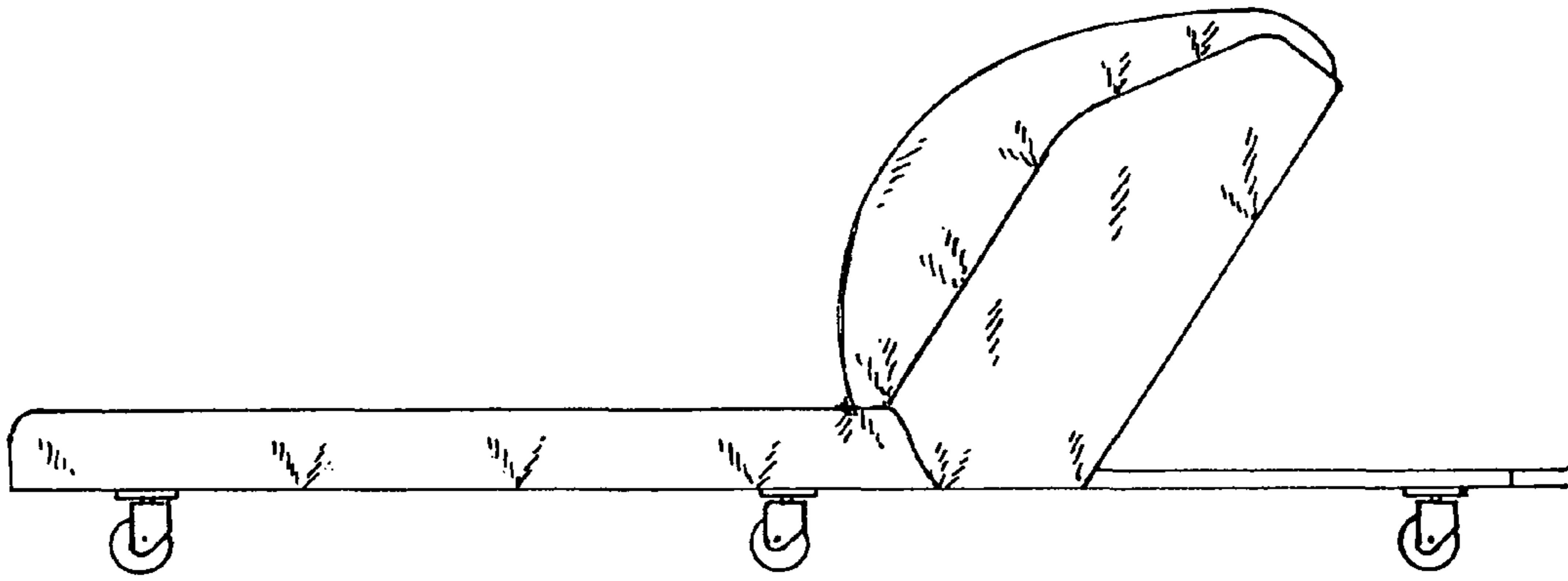


FIG. 3

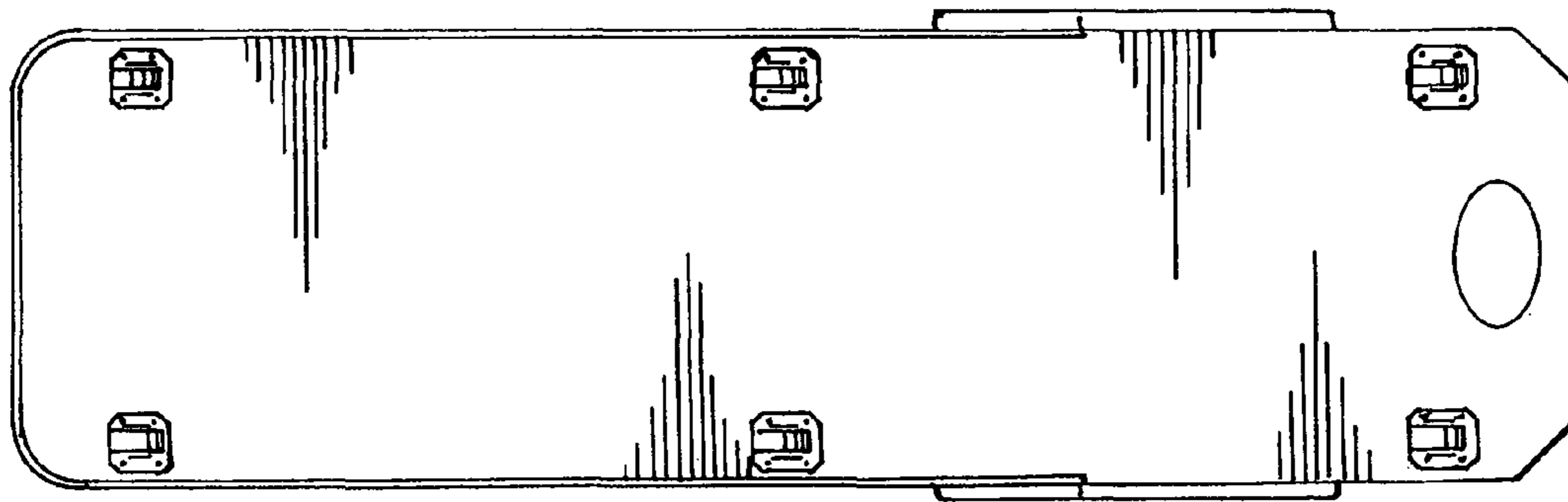


FIG. 4

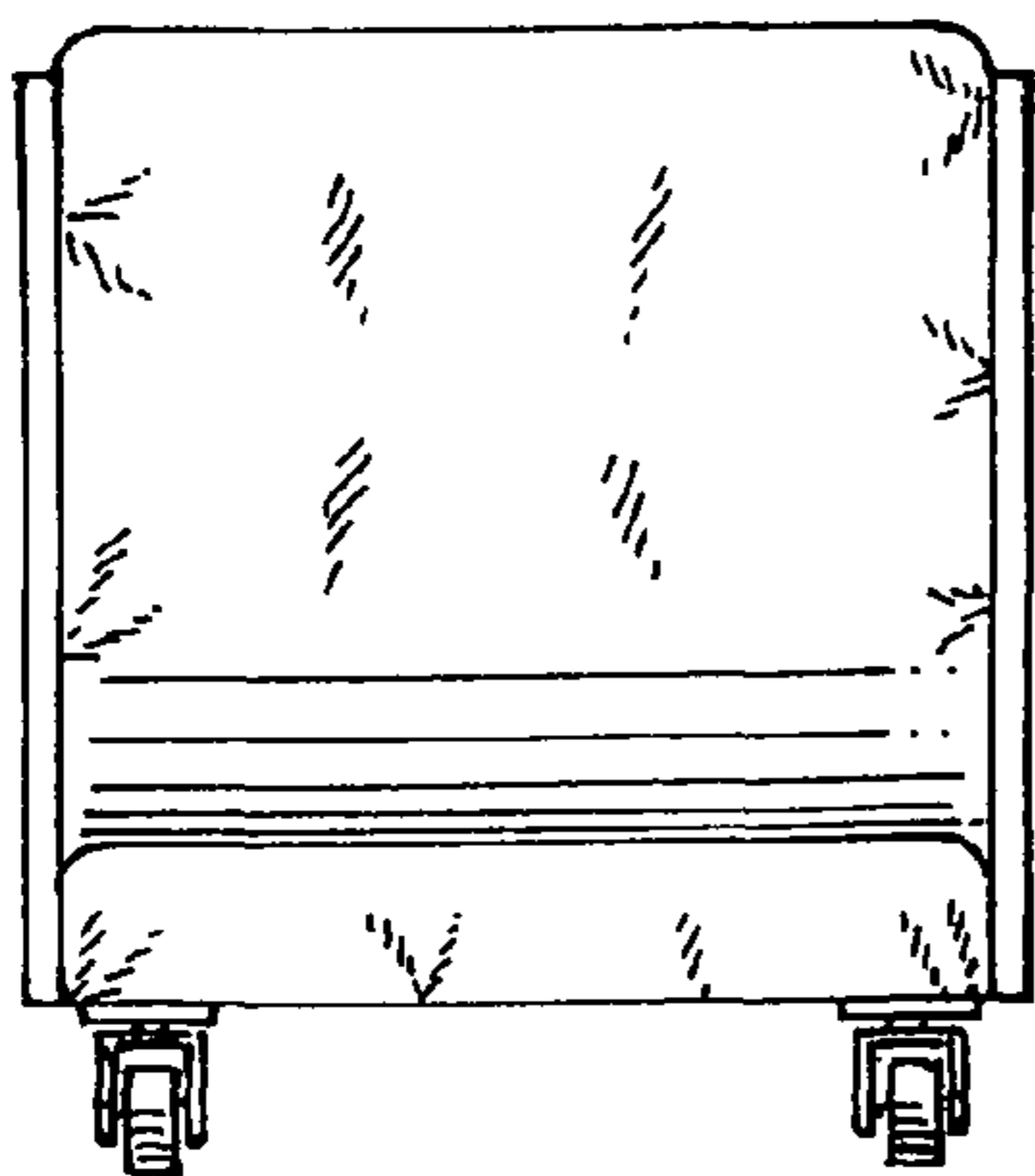


FIG. 5

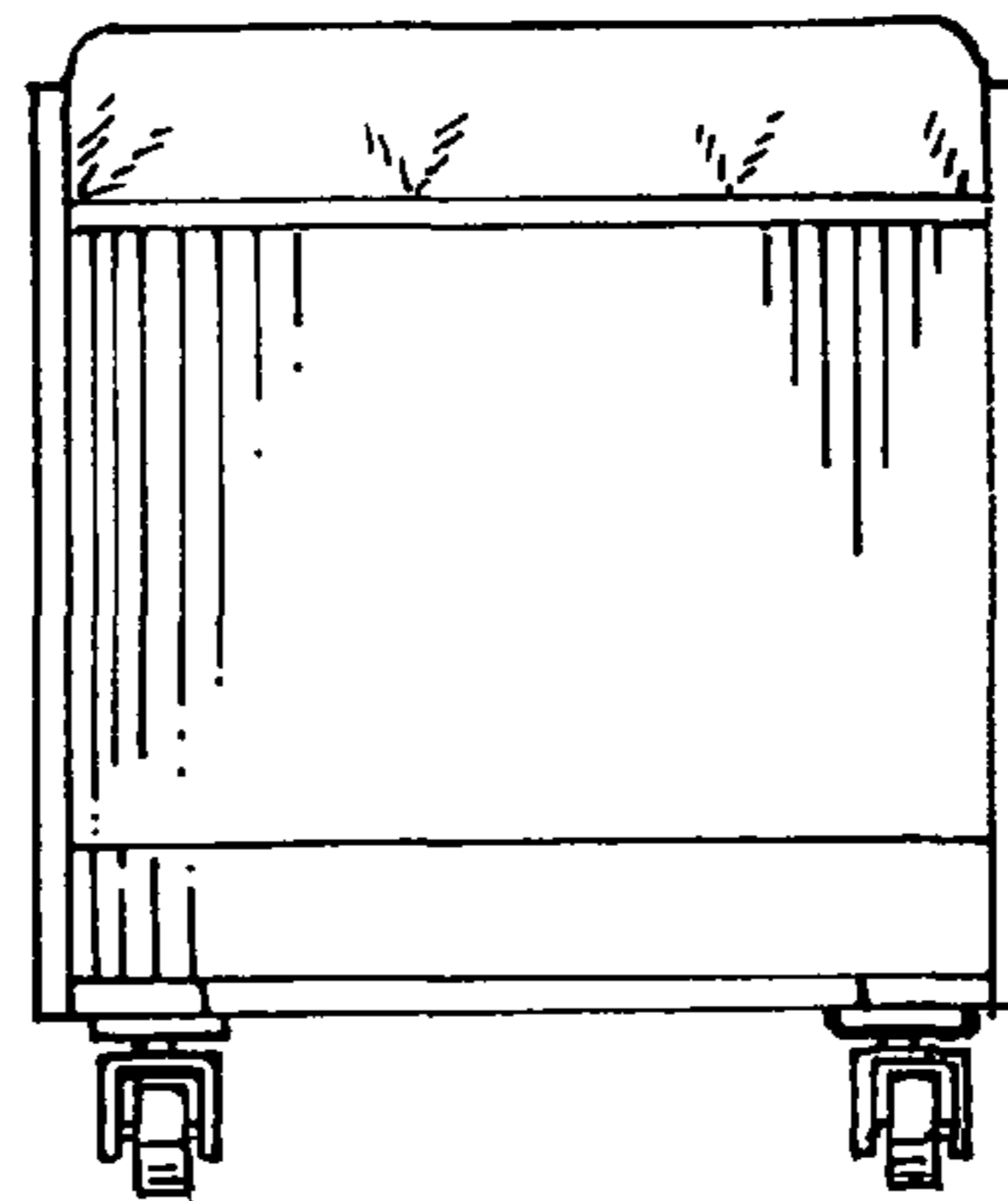


FIG. 6