



US00D652240S

(12) **United States Design Patent**  
**Colman**

(10) **Patent No.:** **US D652,240 S**  
(45) **Date of Patent:** **\*\* Jan. 17, 2012**

(54) **PILLOW**

(75) Inventor: **Patricia Colman**, Los Angeles, CA (US)

(73) Assignee: **About Face Products LLC**, Los Angeles, CA (US)

(\*\*) Term: **14 Years**

(21) Appl. No.: **29/377,879**

(22) Filed: **Oct. 27, 2010**

(51) **LOC (9) Cl.** ..... **06-09**

(52) **U.S. Cl.** ..... **D6/601**

(58) **Field of Classification Search** ..... D6/595,  
D6/596, 601; 5/630, 636-638, 640, 652,  
5/653, 655, 655.9, 656, 657, 417, 420  
See application file for complete search history.

(56) **References Cited**

**U.S. PATENT DOCUMENTS**

1,386,652 A \* 8/1921 Patton ..... 5/640  
D211,244 S \* 6/1968 Hawley ..... D6/601

D349,541 S \* 8/1994 Bertolucci et al. .... D21/686  
D407,256 S \* 3/1999 Backlund ..... D6/601  
D639,101 S \* 6/2011 Kalatsky ..... D6/601

\* cited by examiner

*Primary Examiner* — Janice Seeger

(74) *Attorney, Agent, or Firm* — Vic Y. Lin; Innovation Capital Law Group, LLP

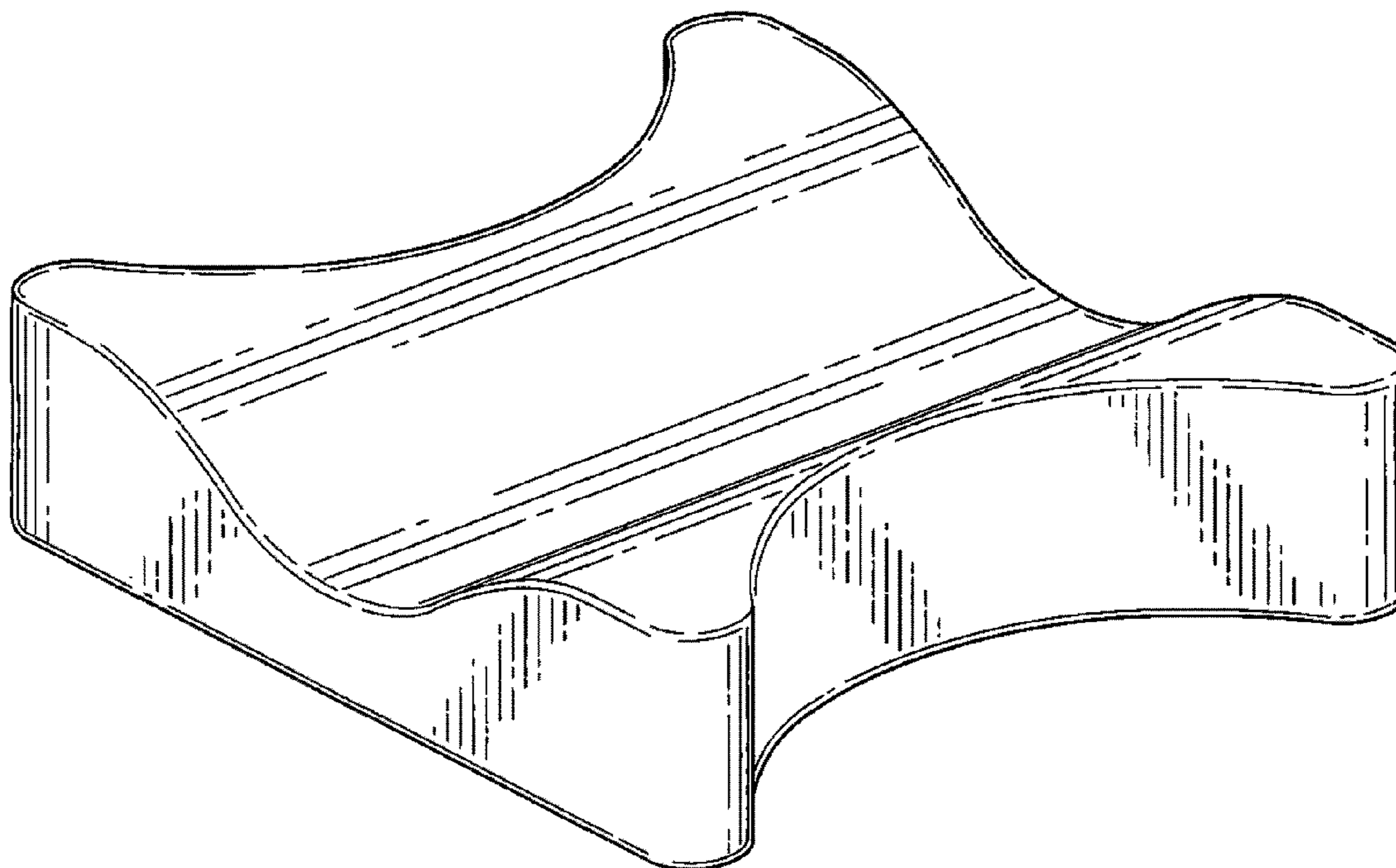
(57) **CLAIM**

The ornamental design for a pillow, as shown and described.

**DESCRIPTION**

FIG. 1 is a perspective view of a pillow;  
FIG. 2 is a top view of the pillow;  
FIG. 3 is a front view of the pillow;  
FIG. 4 is a bottom view of the pillow;  
FIG. 5 is a rear view of the pillow;  
FIG. 6 is a right side view of the pillow; and,  
FIG. 7 is a left side view of the pillow.

**1 Claim, 4 Drawing Sheets**



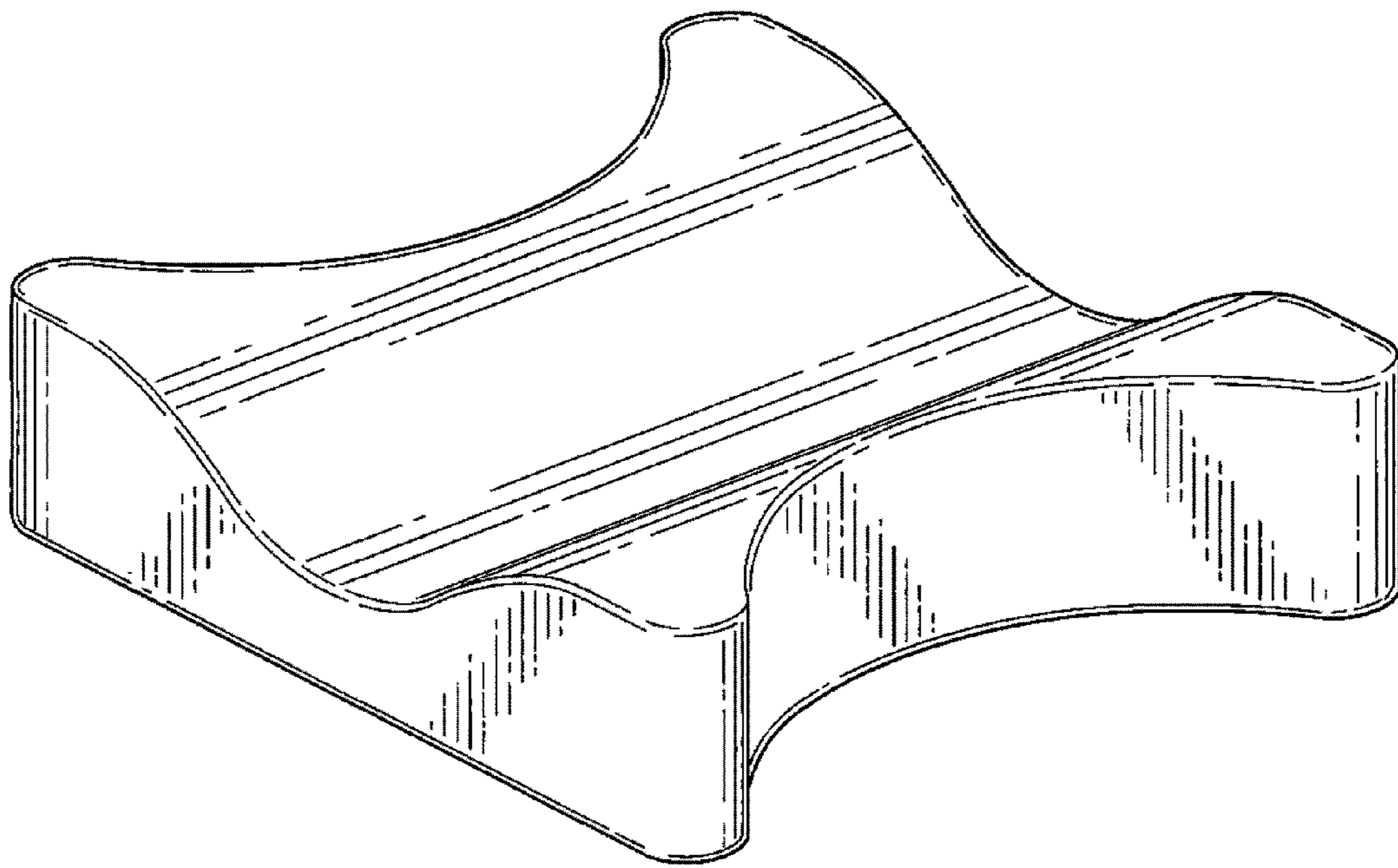


FIG. 1

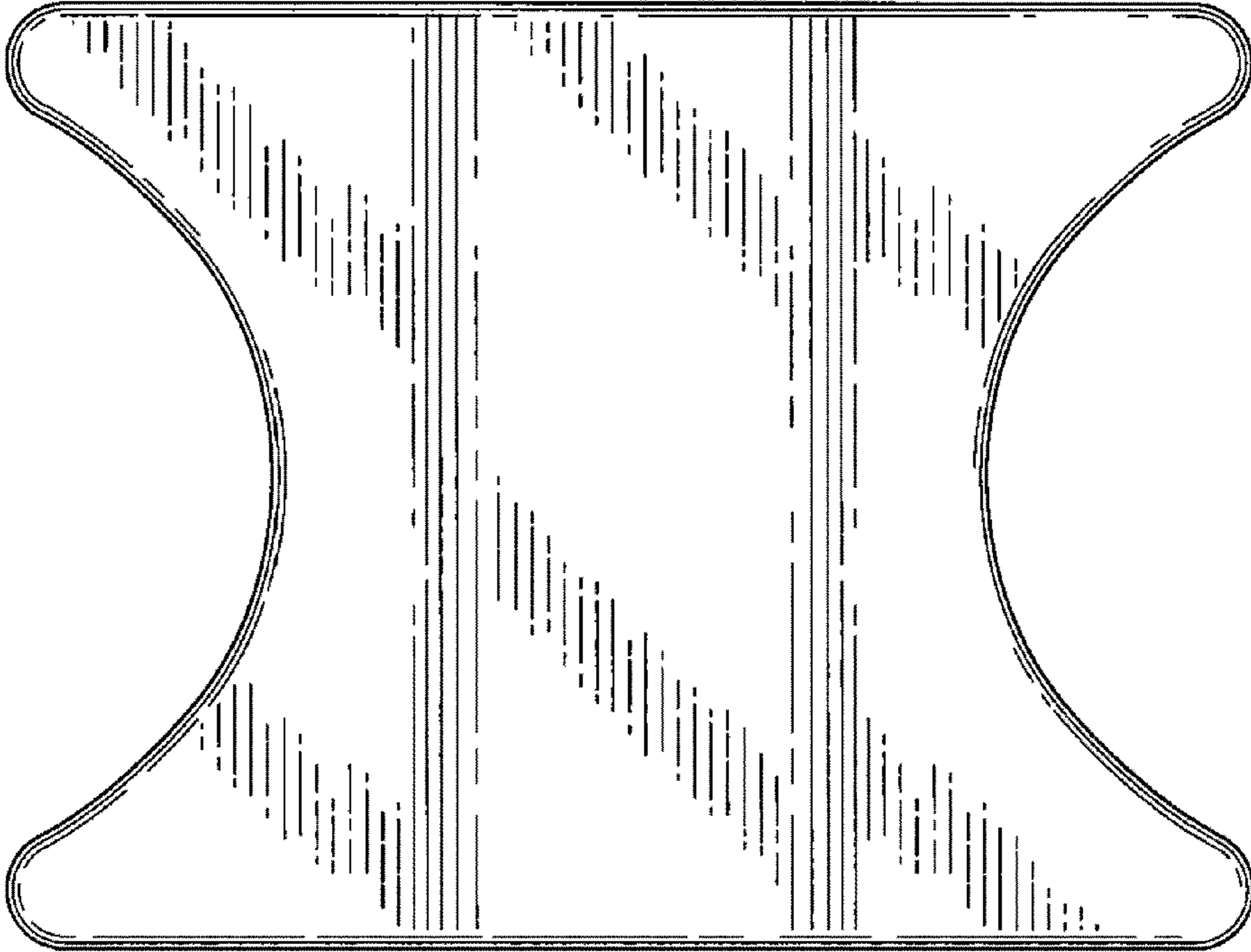


FIG. 2

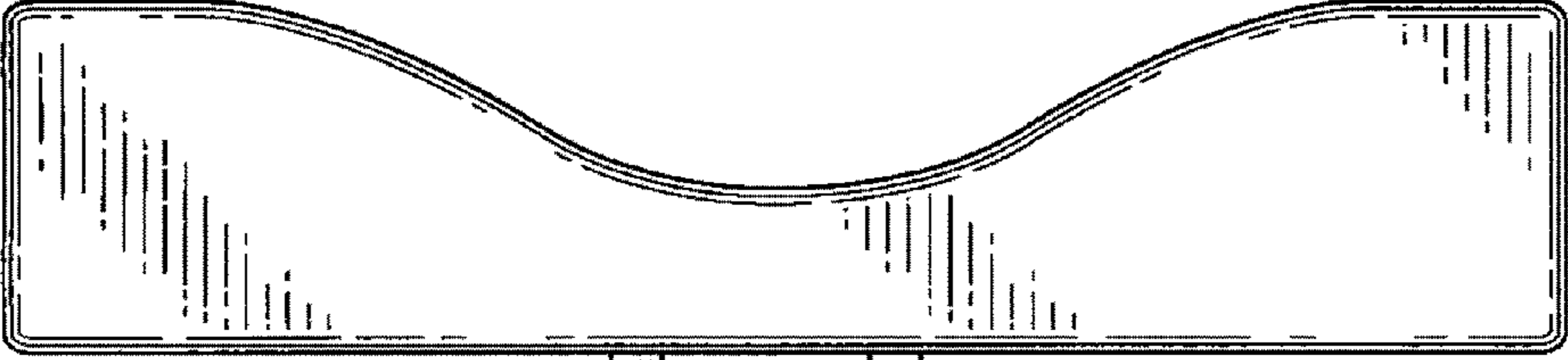


FIG. 3

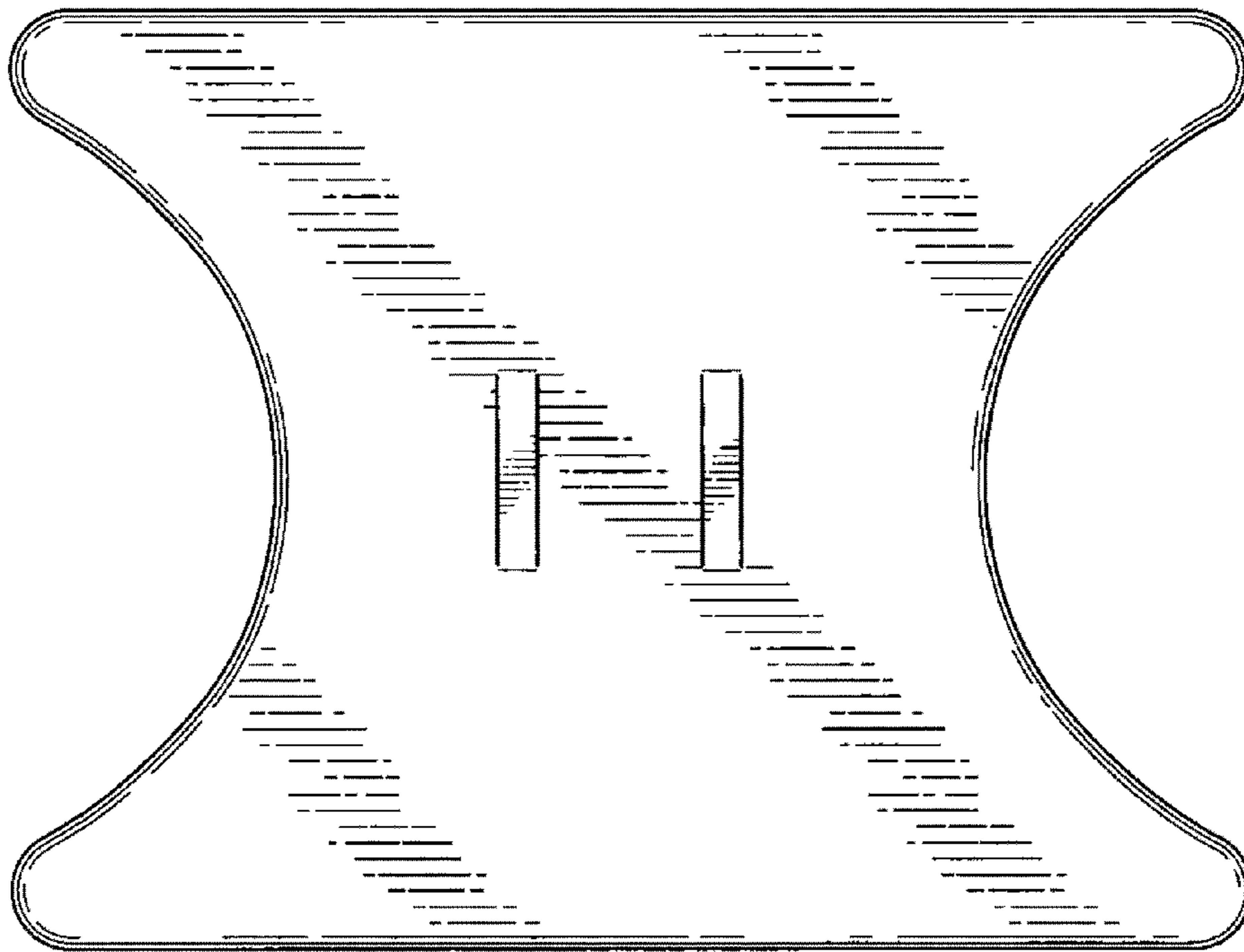


FIG. 4

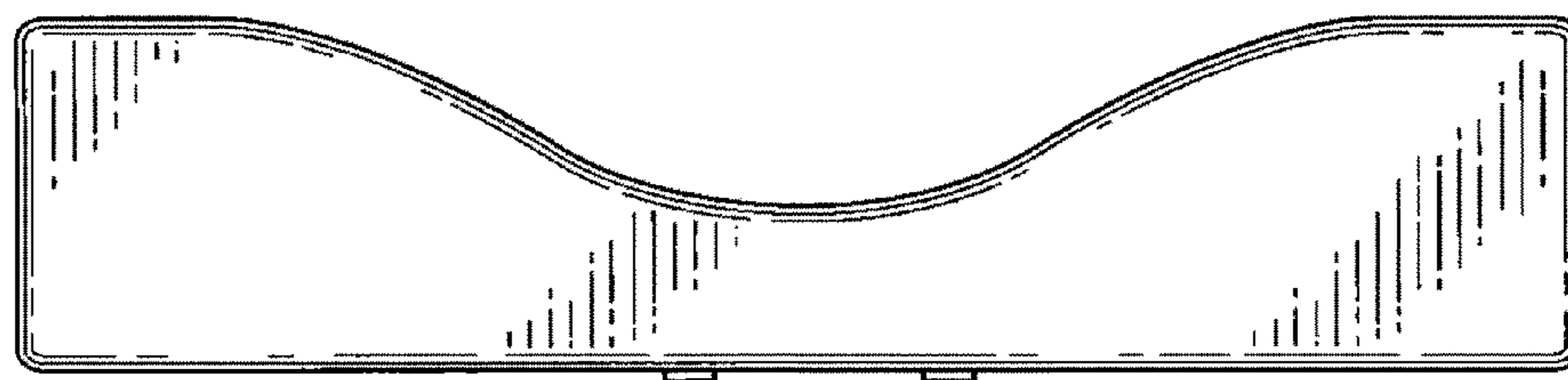


FIG. 5



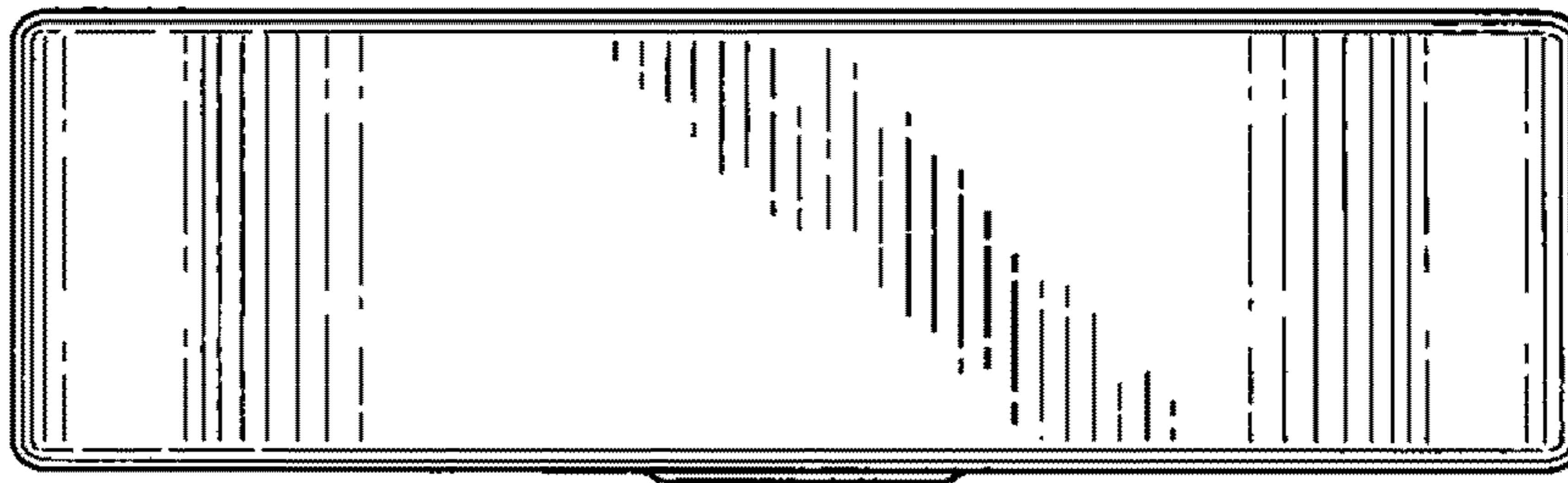


FIG. 6

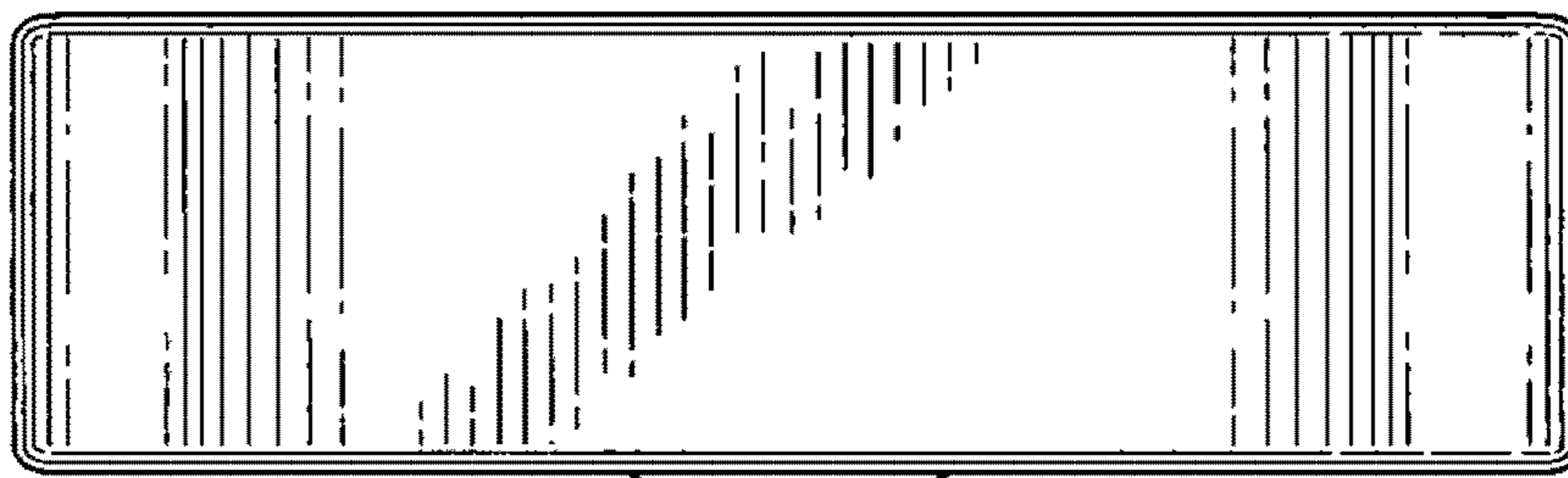


FIG. 7