



US00D652236S

(12) **United States Design Patent**
Walker

(10) **Patent No.:** **US D652,236 S**
(45) **Date of Patent:** **** Jan. 17, 2012**

(54) **SPACESAVER BOTTOM ASSEMBLY**

(75) Inventor: **David Walker**, Chester, PA (US)

(73) Assignee: **Zenith Products Corporation**, New Castle, DE (US)

(**) Term: **14 Years**

(21) Appl. No.: **29/354,645**

(22) Filed: **Jan. 27, 2010**

(51) **LOC (9) Cl.** **06-04**

(52) **U.S. Cl.** **D6/509**

(58) **Field of Classification Search** D6/432,
D6/436, 437, 438, 439, 440, 445, 446, 447,
D6/448, 449, 477, 479, 495, 509, 561; 312/107,
312/114, 138.1, 196, 204, 237, 257.1, 278,
312/279

See application file for complete search history.

(56) **References Cited**

U.S. PATENT DOCUMENTS

| | | | | |
|--------------|---------|-----------------|-------|--------|
| D426,981 S * | 6/2000 | Winter et al. | | D6/436 |
| D428,739 S * | 8/2000 | Winter et al. | | D6/479 |
| D433,582 S * | 11/2000 | Winter et al. | | D6/436 |
| D439,766 S * | 4/2001 | Winter | | D6/446 |
| D440,072 S * | 4/2001 | Harwanko | | D6/436 |
| D460,290 S * | 7/2002 | Walker | | D6/436 |
| D491,745 S * | 6/2004 | Harwanko et al. | | D6/436 |
| D500,415 S * | 1/2005 | Walker et al. | | D6/436 |

OTHER PUBLICATIONS

<http://images.google.com/imgres?imgurl=http://common3.csnimages.com/1f/1/hash/1847/456850/1/Chesterfield%2BSpace%2BSaver%2BBathroom%2BCabinet.jpg&imgrefurl=http://www.bathroomfurnituredirect.com/Elite-Home-Fashions-6186-EHF1004.html&usq=o8JDTk1oGLKoZETEHOGWQQTjGg=&h=400&w=400&sz=13&hl=en&start=44&um=1&tbnid=cSEYzavTTeCO3M:&tbnh=124&tbnw=124&prev=/images%3Fq%3DSpacesaver%26ndsp%3D20%26hl%3Den%26safe%3Dactive%26client%3Dfirefox-a%26rls%3Dorg.mozilla:en-US:official%26sa%3DN%26start%3D40%26um%3D1>; “Elite Home Fashions Chester-

field Space Saver Bathroom Cabinet—6186”, web page printout date: May 3, 2010; original web posting date and product availability date: unknown, 4 pages.

<http://www.sears.com/shc/s/ProductDisplay?partNumber=0964806000P&storeId=10153&sName=Spacesavers&psid=FROOGLE01&vName=For+the+Home&cName=BathroomFurniture&catalogId=12605&sid=IDx20070921x00003a>; “Zenith Products Modern Espresso Spacesaver”, Model No. 48060, web page printout date: May 3, 2010; original web posting date: unknown, 2 pages.

http://www.amazon.com/dp/B001KFBYQS/ref=asc_df_B001KFBYQS943923?smid=ATVPDKIKX0DER&tag=googlecom09c9-20&linkCode=asn&creative=380341&creativeASIN=B001KFBYQS; “Elite Home Fashions Dawson Collection Shelved Bathroom Space-Save with Storage Cubby, White”, web page printout date: May 3, 2010; original web posting date and product availability dated: unknown, 9 pages.

http://images.google.com/imgres?imgurl=http://www.dormbuys.com/images/products/Bathroom_Space_Saver_I.jpg&imgrefurl=http://www.dormbuys.com/shop/product/1106&usg=__DVABApu99V9Hr_WcgtLGGIW_ZeU=&h=500&w=500&sz=41&hl=en&start=42&um=1&tbnid=ImYCYOk8WUmRcM:&tbnh=1.

* cited by examiner

Primary Examiner — Mimosa De

(74) *Attorney, Agent, or Firm* — Panitch Schwarze Belisario & Nadel LLP

(57) **CLAIM**

The ornamental design for a spacesaver bottom assembly, as shown and described.

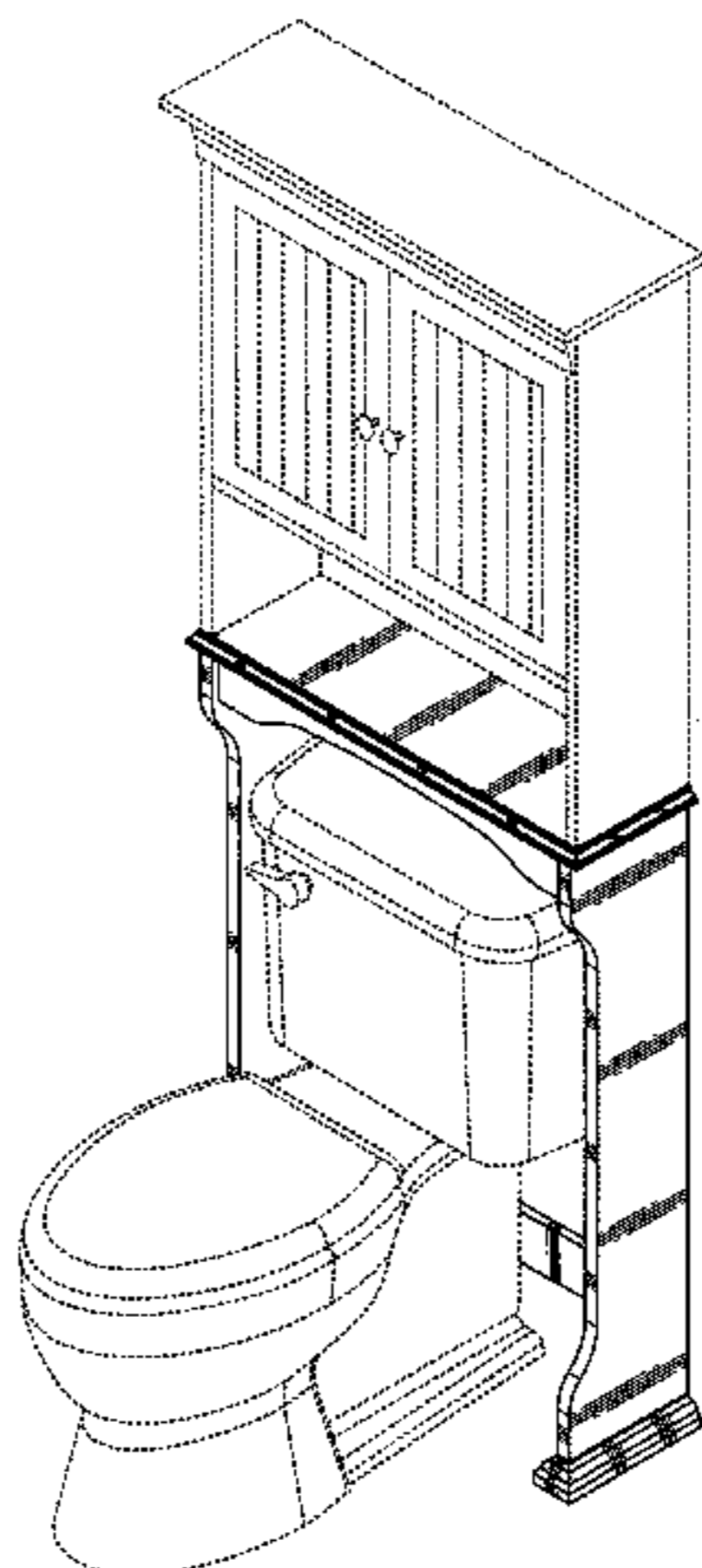
DESCRIPTION

FIG. 1 is a top right perspective view of a spacesaver bottom assembly according to a preferred embodiment of my design; FIG. 2 is a front elevational view thereof; FIG. 3 is a right side elevational view thereof; FIG. 4 is a left side elevational view thereof; and, FIG. 5 is a top plan view thereof.

The broken lines in the figures are for illustrative purposes only and form no part of the claimed design.

The bottom view of the spacesaver bottom assembly is not shown in the drawings or described in the specification and, therefore, forms no part of the claimed design.

1 Claim, 4 Drawing Sheets



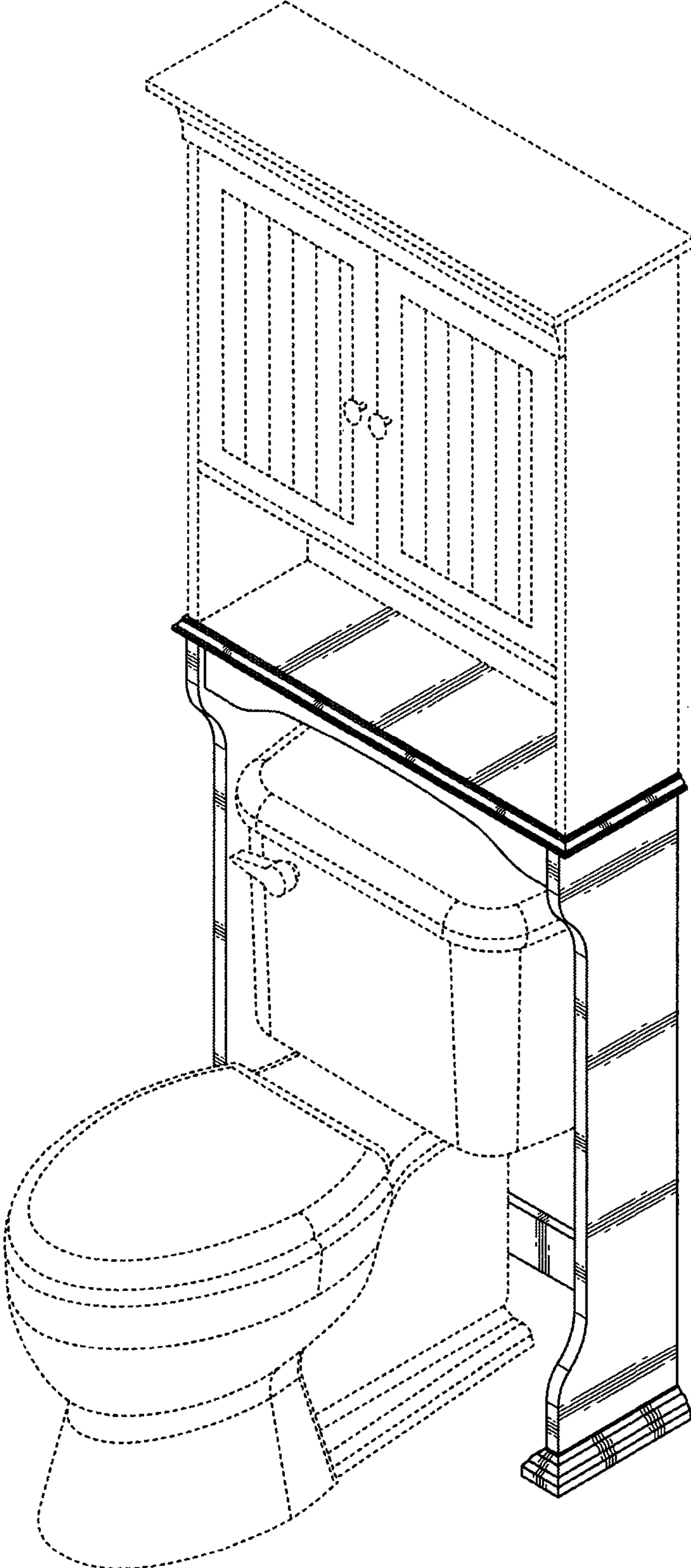


FIG. 1

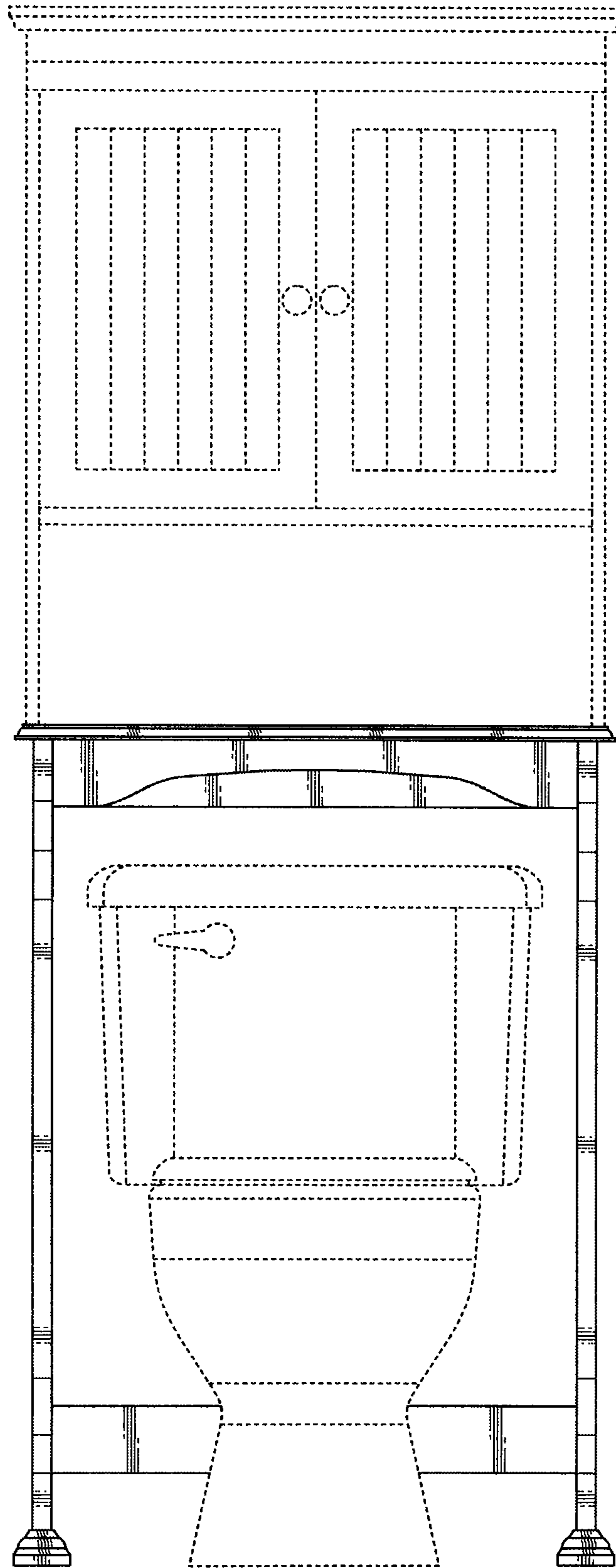


FIG. 2

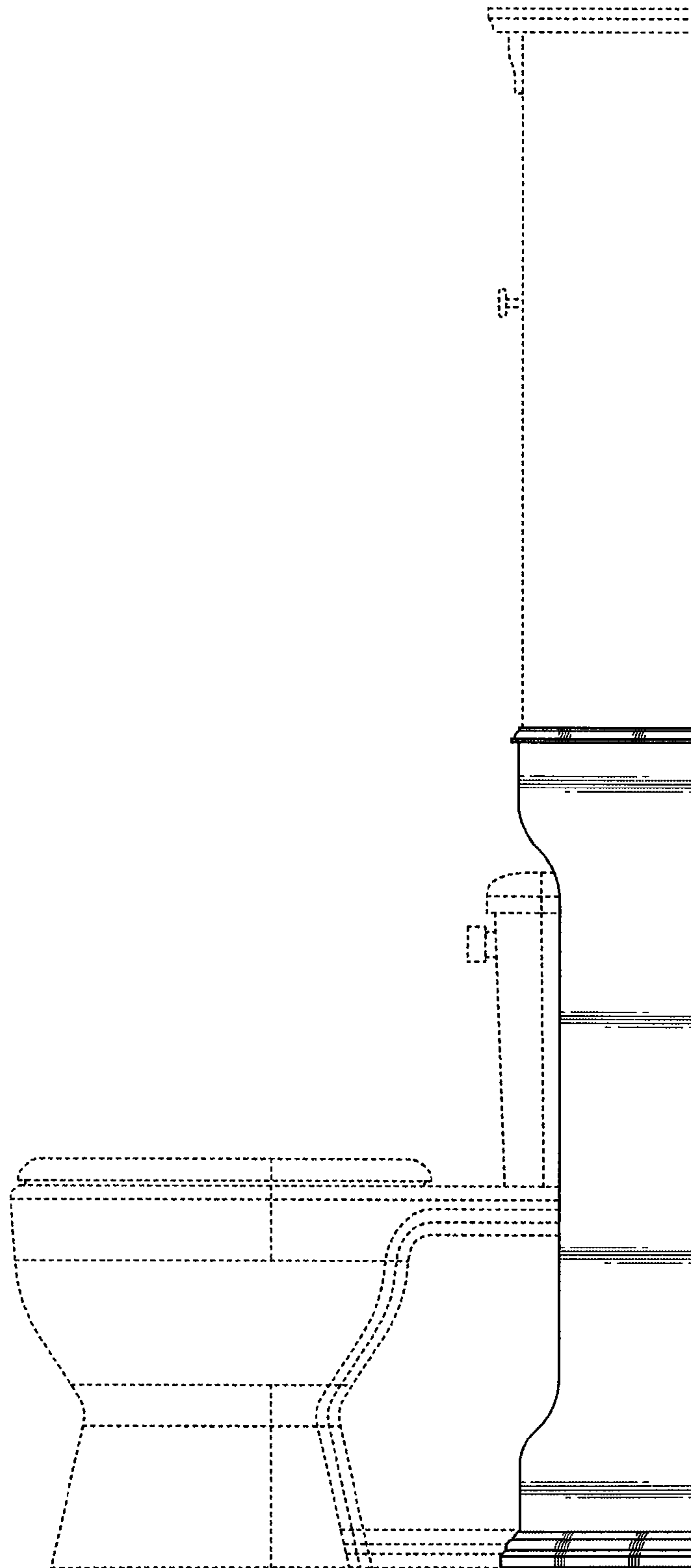


FIG. 3

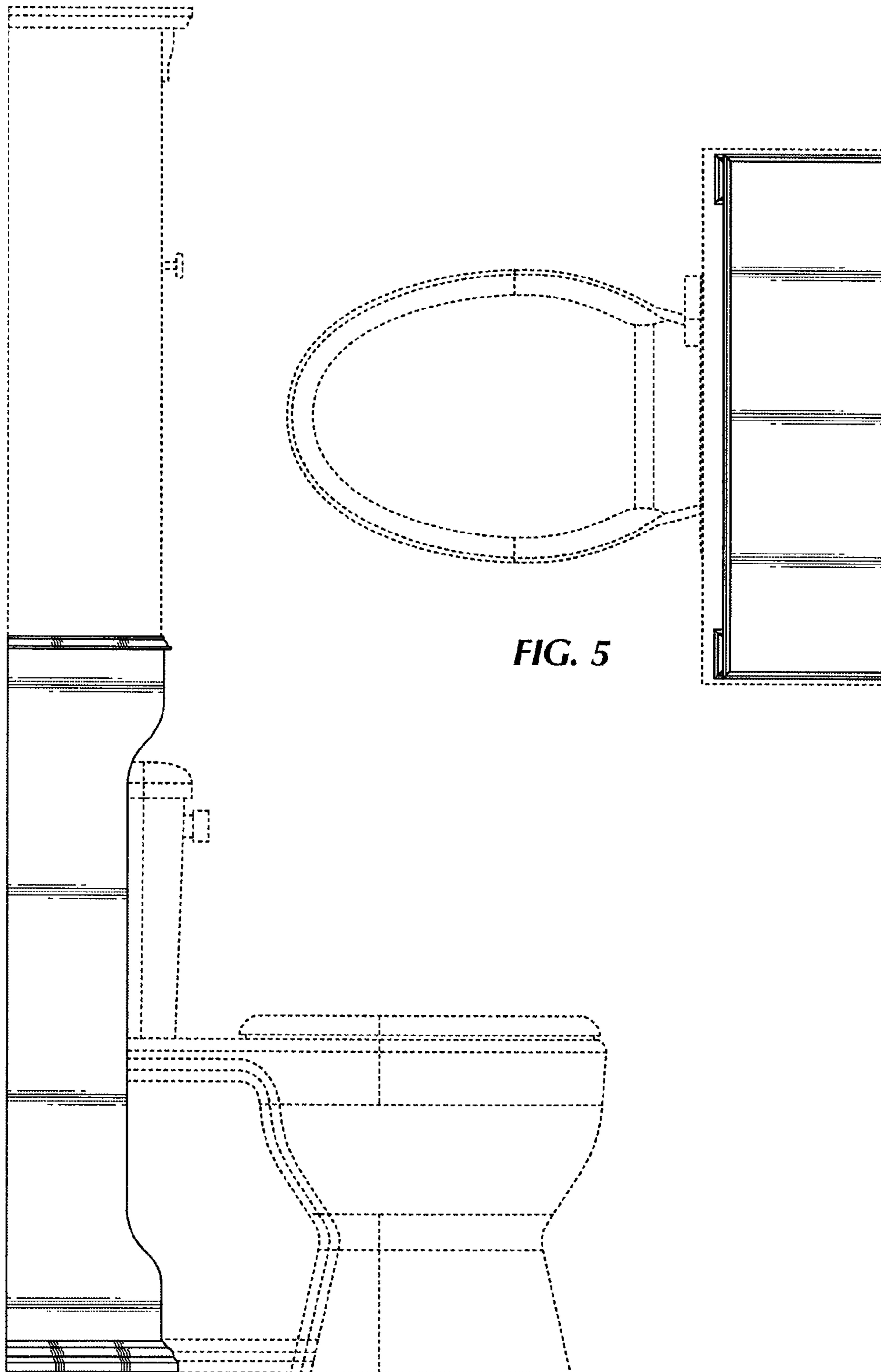


FIG. 5

FIG. 4