



US00D652233S

(12) **United States Design Patent**
Walker et al.

(10) **Patent No.:** **US D652,233 S**
(45) **Date of Patent:** **** Jan. 17, 2012**

(54) **CABINET**

(75) Inventors: **David Walker**, Chester, PA (US); **Kevin Didehvar**, Hockessin, DE (US); **Nina Barnett**, Elkton, MD (US); **Joseph Vaccaro**, West Chester, PA (US)

(73) Assignee: **Zenith Products Corporation**, New Castle, DE (US)

(**) Term: **14 Years**

(21) Appl. No.: **29/359,910**

(22) Filed: **Apr. 16, 2010**

(51) **LOC (9) Cl.** **06-04**

(52) **U.S. Cl.** **D6/438**

(58) **Field of Classification Search** D6/432,
D6/436, 437, 438, 439, 440, 445, 446, 447,
D6/448, 470, 559, 561; 312/114, 138.1,
312/196, 198, 199, 204, 209, 237, 257.1,
312/278, 279

See application file for complete search history.

(56) **References Cited**

U.S. PATENT DOCUMENTS

D271,828 S	*	12/1983	Wolf et al.	D6/436
D428,739 S		8/2000	Winter et al.		
D433,582 S		11/2000	Winter et al.		
D439,074 S	*	3/2001	Chen	D6/436
D439,766 S		4/2001	Winter		
D440,072 S		4/2001	Harwanko		
D460,290 S		7/2002	Walker		
D475,865 S		6/2003	Walker		
D488,635 S		4/2004	Clucas		
D488,636 S		4/2004	Walker		
D491,745 S		6/2004	Harwanko et al.		
D491,746 S		6/2004	Harwanko		
D495,899 S		9/2004	Walker		

D496,188 S	*	9/2004	Walker	D6/438
D498,086 S		11/2004	Harwanko		
D500,415 S		1/2005	Walker et al.		
D553,877 S		10/2007	Walker		

OTHER PUBLICATIONS

http://images.google.com/imgres?imgurl=http://images.hayneedle.com/mgen/master:AMW267.jpg&imgrefurl=http://www.justbathroomcabinets.com/bathroom-floor-cabinets/192053%2B4295054619.cfm&usq=__t1APJ52zciKxyaSfl7YLHPcg41A=&h=800&w=800&sz=56&hl=en&start=28&um=1&itbs=1&tbnid=LL_OxJ18GKImrM:&tbnh=143&tbnw=143&prev=/images%3Fq%3Dspace+savers%26ndsp%3D18%26hl%3Den%26safe%3Dactive%26client%3Dfirefox-a%26rls%3Dorg.mozilla:en-US:official%26sa%3DN%26start%3D18%26um%3D1

* cited by examiner

Primary Examiner — Mimoso De

(74) *Attorney, Agent, or Firm* — Panitch Schwarze Belisario & Nadel LLP

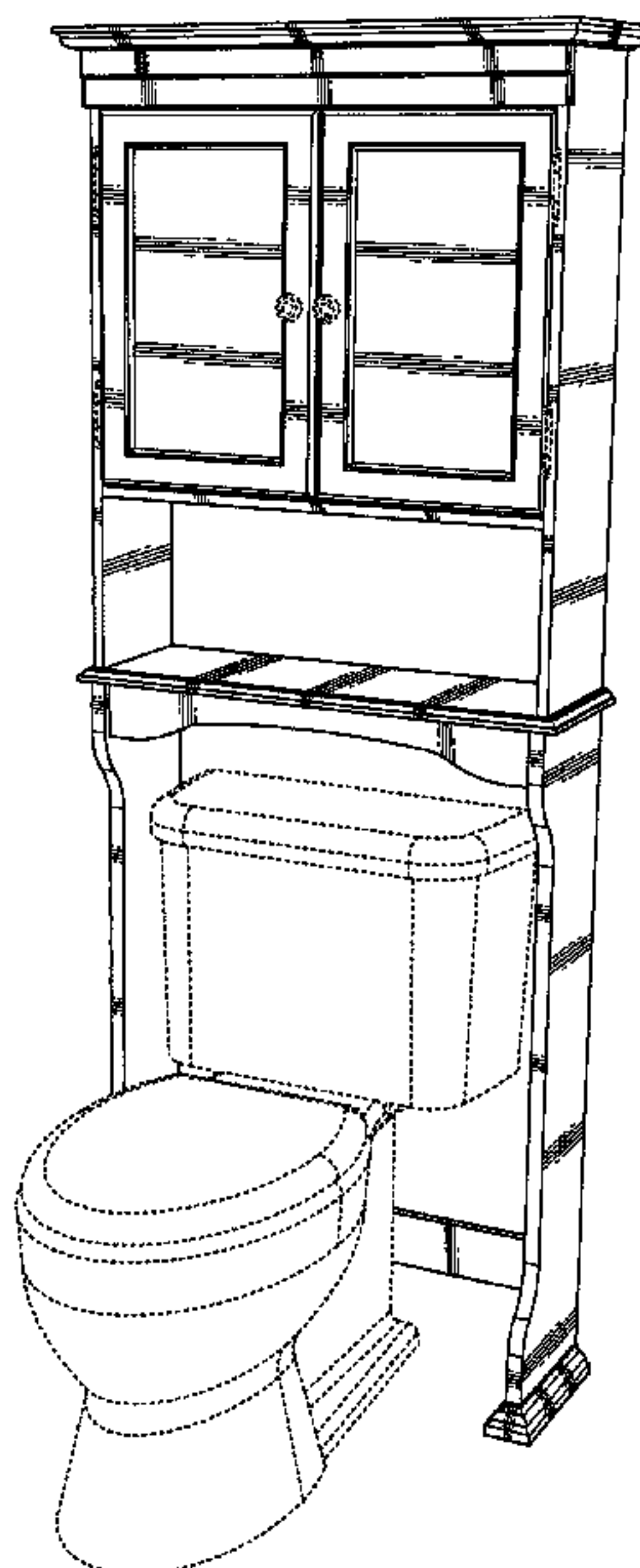
(57) **CLAIM**

The ornamental design for a cabinet, as shown and described.

DESCRIPTION

FIG. 1 is a front perspective view of the cabinet in accordance with our new design;
FIG. 2 is a front elevational view thereof;
FIG. 3 is a top plan view thereof; and,
FIG. 4 is a left side elevational view thereof, a right side elevational view being a mirror image thereof.
The broken lines in the figures are for illustrative purposes only and form no part of the claimed design.
The bottom and rear views of the cabinet are not shown in the drawings or described in the specification and, therefore, form no part of the claimed design.

1 Claim, 3 Drawing Sheets



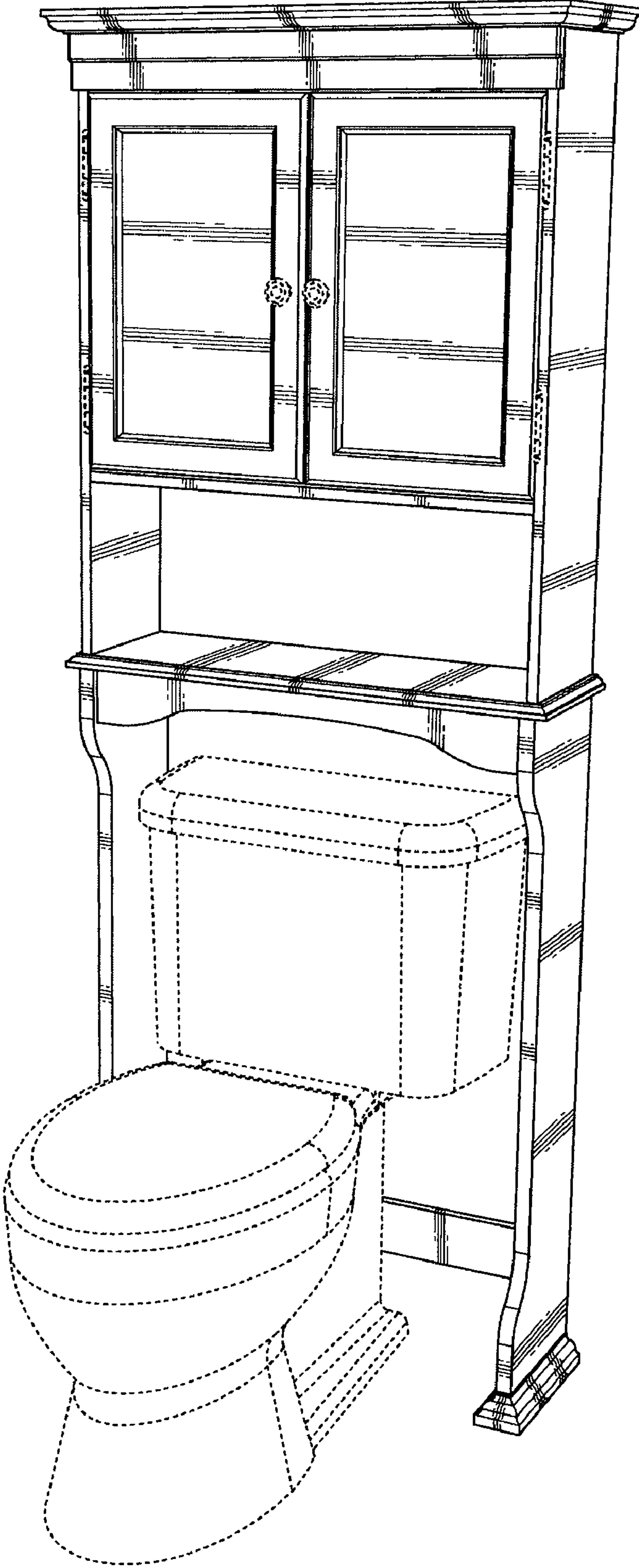


FIG. 1

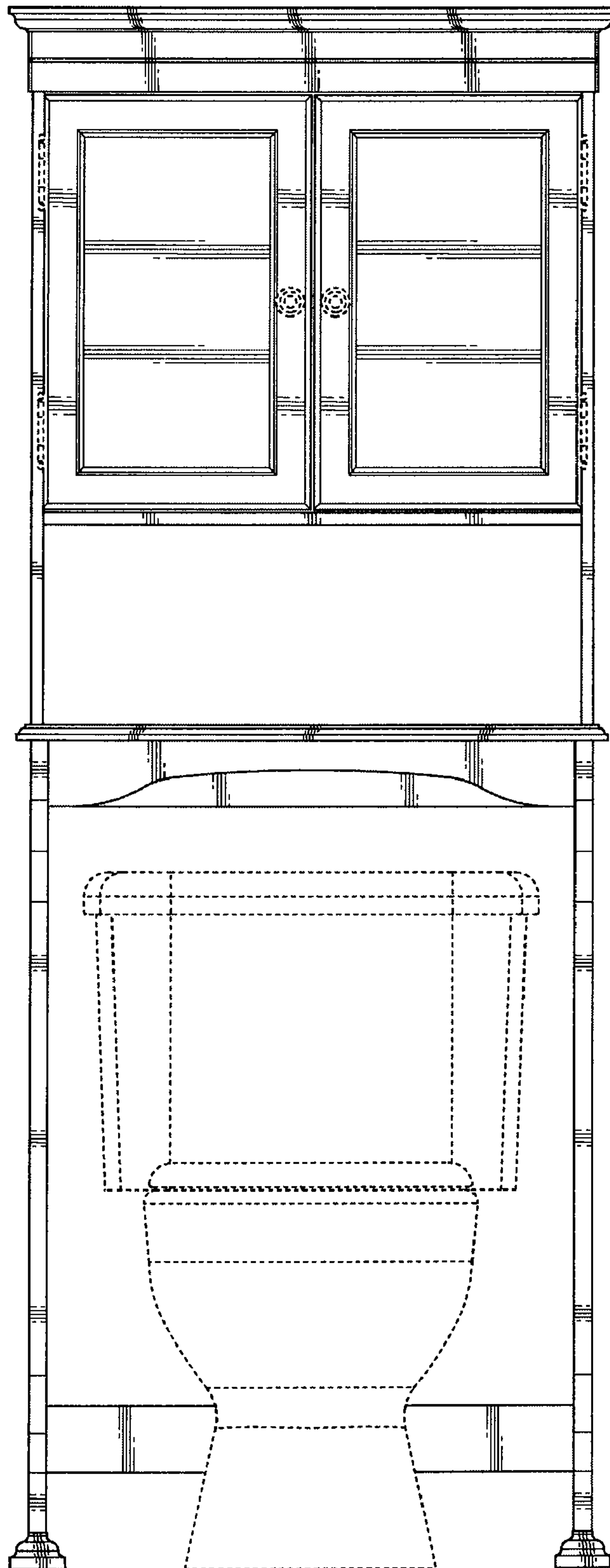


FIG. 2

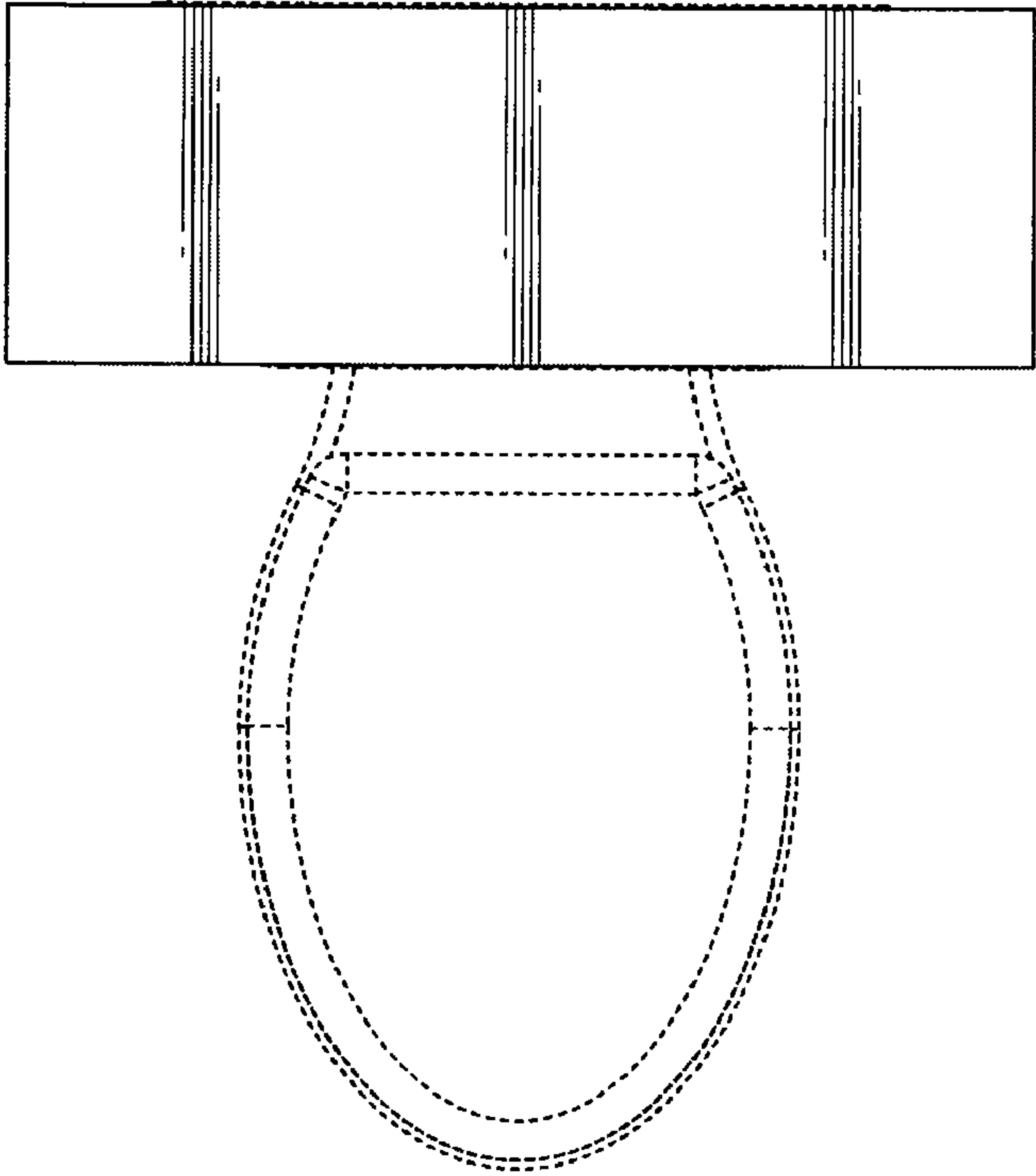


FIG. 3

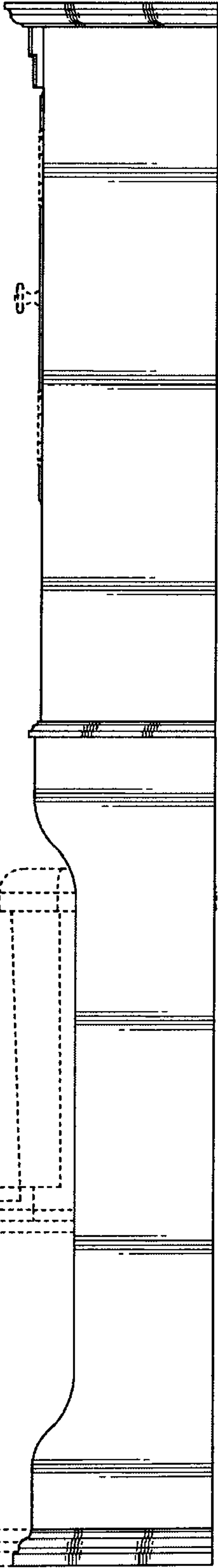


FIG. 4

