



US00D652232S

(12) **United States Design Patent**
Walker et al.

(10) **Patent No.:** **US D652,232 S**
(45) **Date of Patent:** **** Jan. 17, 2012**

(54) **CABINET**

(75) Inventors: **David Walker**, Chester, PA (US); **Kevin Didehvar**, Hockessin (DE); **Nina Barnett**, Elkton, MD (US); **Joseph Vaccaro**, West Chester, PA (US)

D491,746 S 6/2004 Harwanko
D495,899 S 9/2004 Walker
D496,188 S * 9/2004 Walker D6/438
D498,086 S 11/2004 Harwanko
D500,415 S 1/2005 Walker et al.
D553,877 S 10/2007 Walker

(73) Assignee: **Zenith Products Corporation**, New Castle, DE (US)

(**) Term: **14 Years**

(21) Appl. No.: **29/359,909**

(22) Filed: **Apr. 16, 2010**

(51) **LOC (9) Cl.** **06-04**

(52) **U.S. Cl.** **D6/438**

(58) **Field of Classification Search** D6/432,
D6/436, 437, 438, 439, 440, 445, 446, 447,
D6/448, 470, 559, 561; 312/114, 138.1,
312/196, 198, 199, 204, 209, 237, 257.1,
312/278, 279

See application file for complete search history.

(56) **References Cited**

U.S. PATENT DOCUMENTS

D347,748 S * 6/1994 Korch et al. D6/436
D347,749 S * 6/1994 Korch et al. D6/436
D426,736 S * 6/2000 Winter et al. D6/561
D428,739 S 8/2000 Winter et al.
D433,582 S 11/2000 Winter et al.
D439,074 S * 3/2001 Chen D6/436
D439,766 S 4/2001 Winter
D440,072 S 4/2001 Harwanko
D441,983 S * 5/2001 Berlic D6/443
D460,290 S 7/2002 Walker
D475,865 S 6/2003 Walker
D488,635 S 4/2004 Lucas
D488,636 S 4/2004 Walker
D491,745 S 6/2004 Harwanko et al.

OTHER PUBLICATIONS

http://images.google.com/imgres?imgurl=http://images.hayneedle.com/mgen/master:AMW267.jpg&imgrefurl=http://www.justbathroomcabinets.com/bathroom-floor-cabinets/192053%2B4295054619.cfm&usg=_t1APJ52zciKxyaSff7YLHPcg41A=&h=800&w=800&sz=56&hl=en&start=28&um=1&itbs=1&tbid=LL_OxJ18GKImrM:&tbnh=143&tbnw=143&prev=/images%3Fq%3Dspacesavers%26ndsp%3D18%26hl%3Den%26safe%3Dactive%26client%3Dfirefox-a%26rls%3Dorg.mozilla:en-US:official%26sa%3DN%26start%3D18%26um%3D1

* cited by examiner

Primary Examiner — Mimoso De

(74) Attorney, Agent, or Firm — Panitch Schwarze Belisario & Nadel LLP

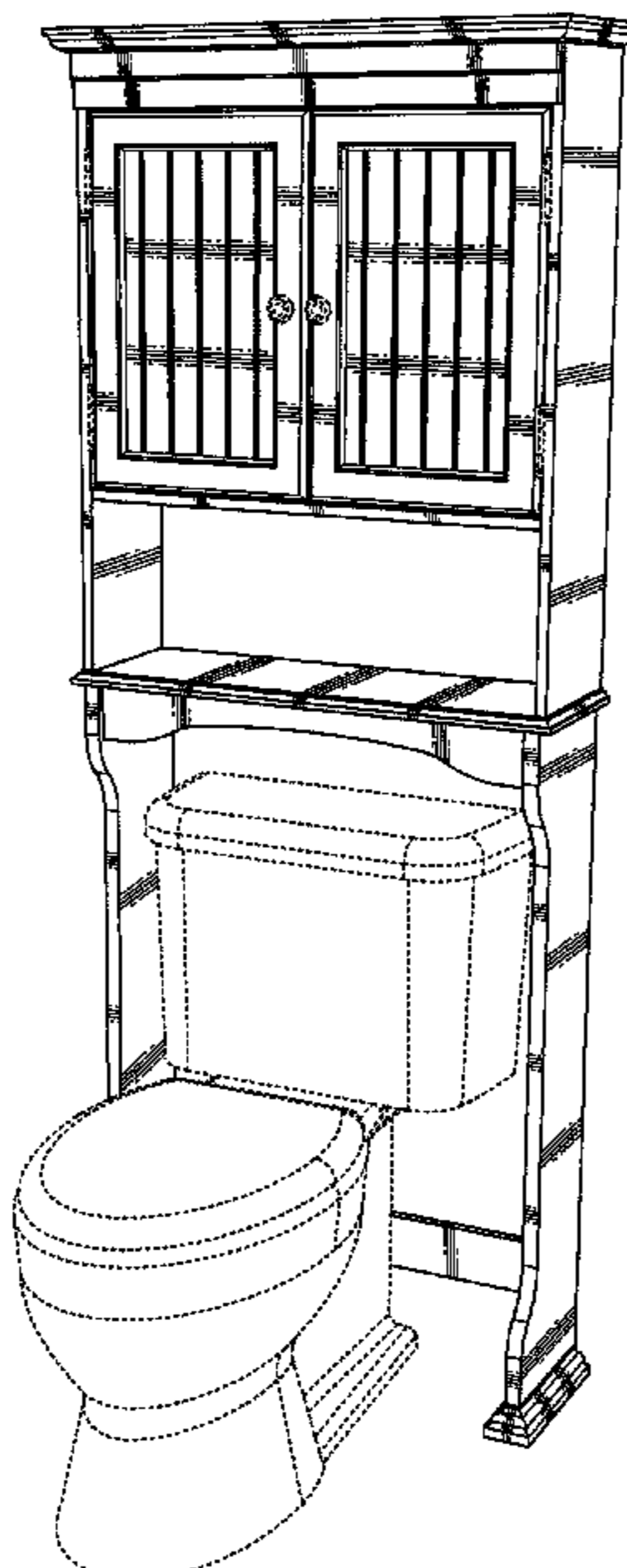
(57) **CLAIM**

The ornamental design for a cabinet, as shown and described.

DESCRIPTION

FIG. 1 is a front perspective view of the cabinet in accordance with our new design;
FIG. 2 is a front elevational view thereof;
FIG. 3 is a top plan view thereof; and,
FIG. 4 is a left side elevational view thereof, a right side elevational view being a mirror image thereof.
The broken lines in the figures are for illustrative purposes only and form no part of the claimed design.
The bottom and rear views of the cabinet are not shown in the drawings or described in the specification and, therefore, form no part of the claimed design.

1 Claim, 3 Drawing Sheets



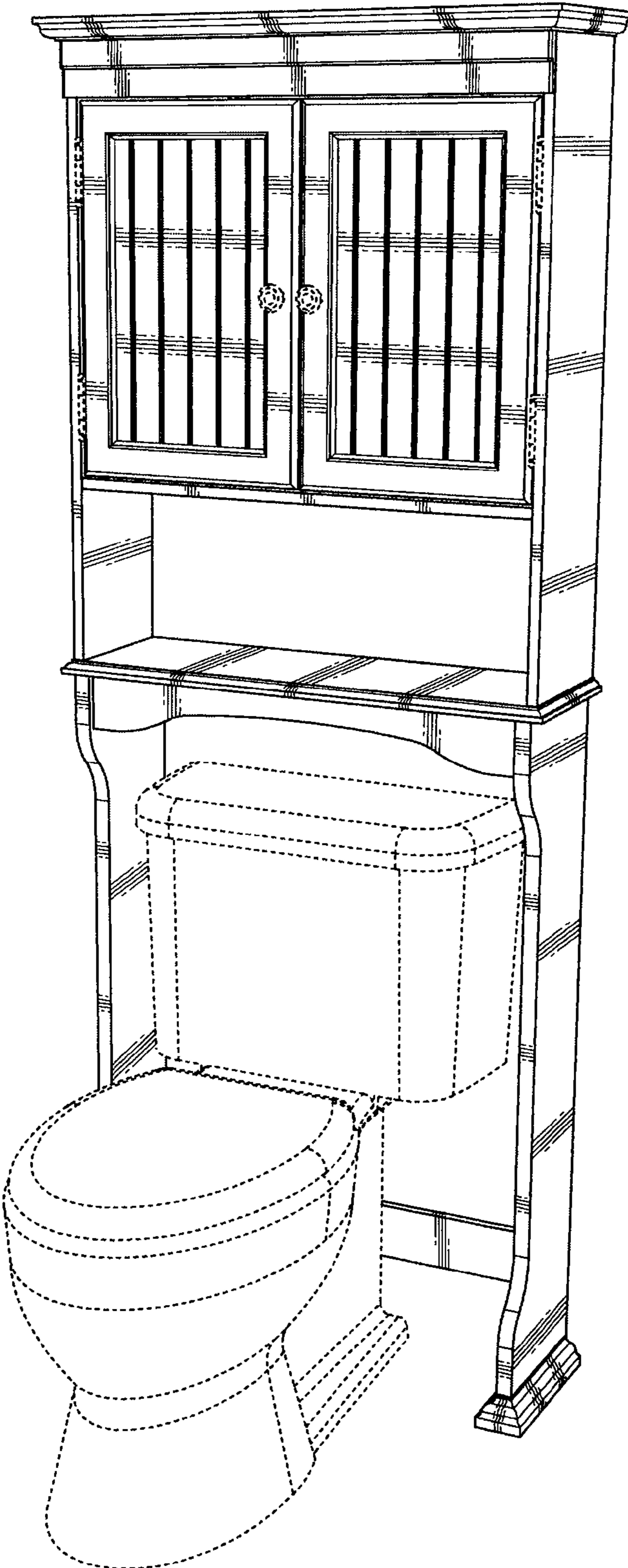


FIG. 1

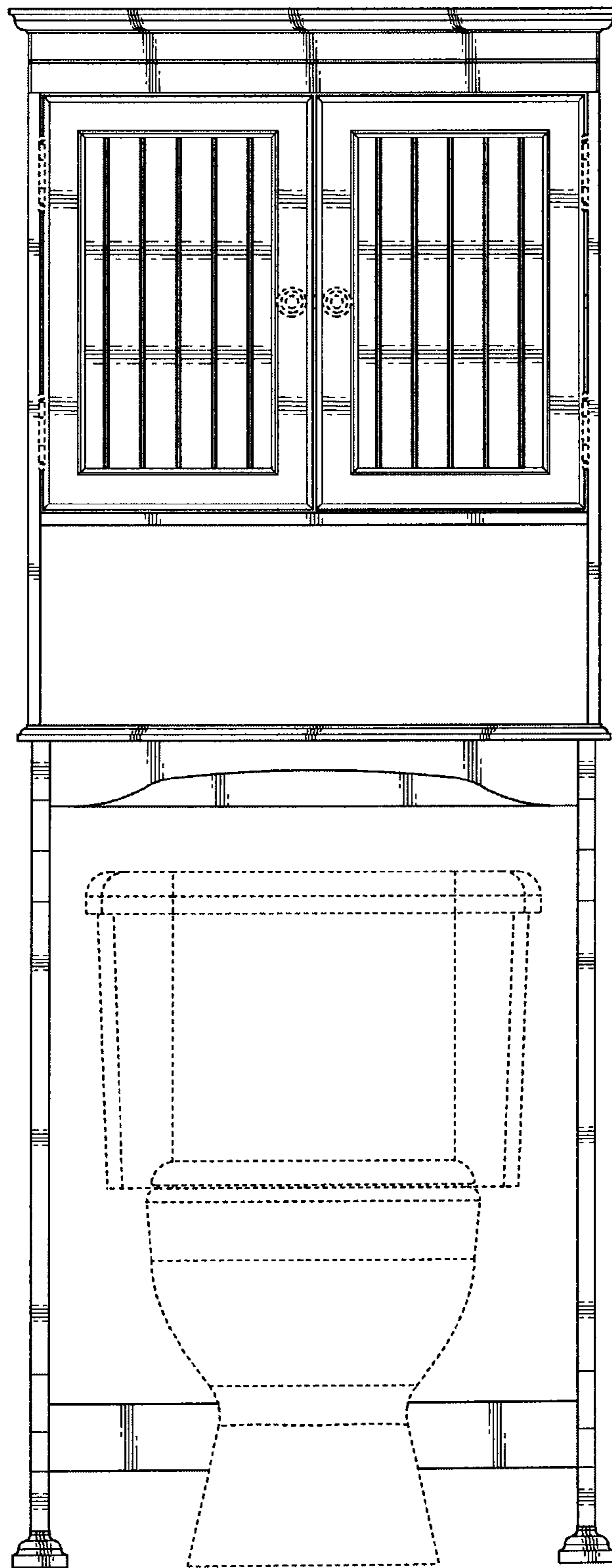


FIG. 2

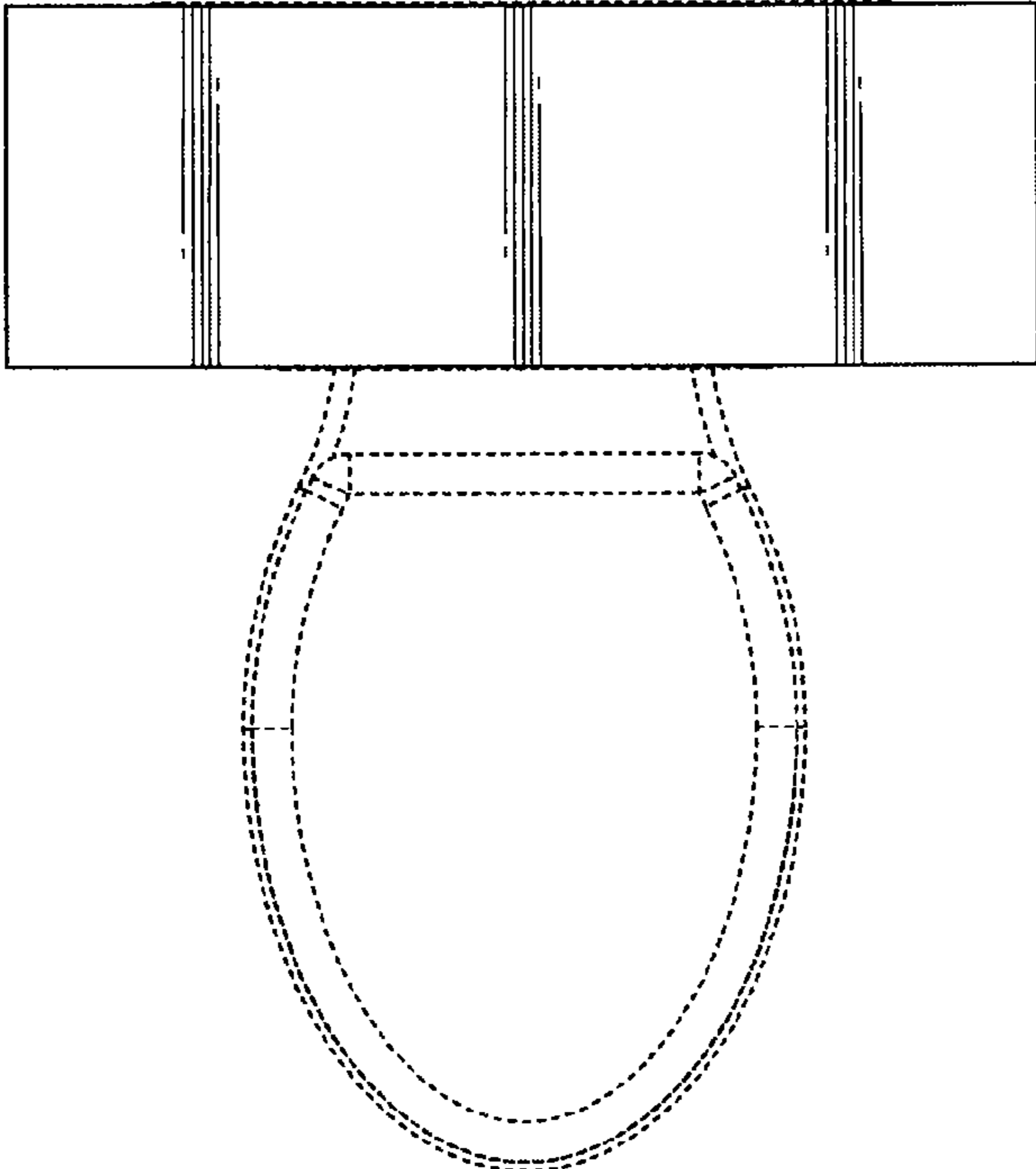


FIG. 3

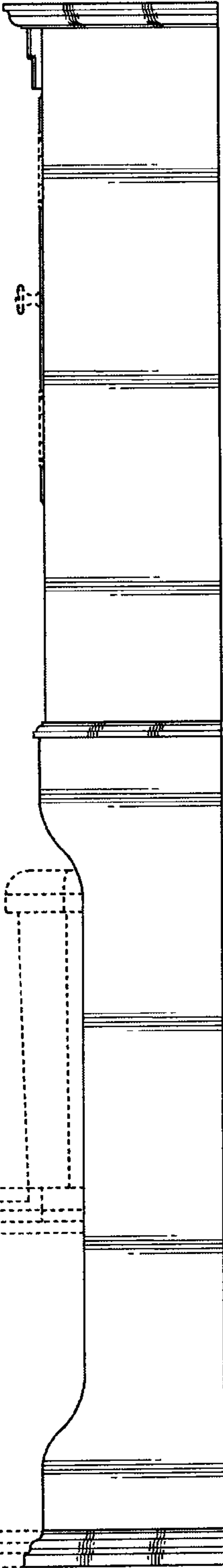


FIG. 4