



US00D652229S

(12) **United States Design Patent**
Madison

(10) **Patent No.:** **US D652,229 S**
(45) **Date of Patent:** **** Jan. 17, 2012**

(54) **CLASSROOM DESK**

DESCRIPTION

(75) Inventor: **Gregory P. Madison**, Story, WY (US)
(73) Assignee: **Electronic Classroom Furniture**, Story, WY (US)
(**) Term: **14 Years**
(21) Appl. No.: **29/375,506**
(22) Filed: **Sep. 23, 2010**
(51) **LOC (9) Cl.** **06-03**
(52) **U.S. Cl.** **D6/430; D6/420; D6/425; D6/484**
(58) **Field of Classification Search** D6/480-489, D6/495-499, 450-451, 511, 422, 426, 420, D6/425, 440; 108/150, 153.1, 155, 156, 108/161, 50.01, 50.02, 25; 248/188, 188.1, 248/188.8; 312/208.1, 223.3
See application file for complete search history.

FIG. 1 is a front, off-angle, perspective view of one embodiment of a classroom desk incorporating the new design with the desk top in the closed position and a right side compartment hiding cabling;
FIG. 2 is a front elevation view of the computer desk of FIG. 1;
FIG. 3 is a rear elevation view of the computer desk of FIG. 1;
FIG. 4 is a left side elevation view of the computer desk of FIG. 1;
FIG. 5 is a right side elevation view of the computer desk of FIG. 1;
FIG. 6 is a top plan view of the computer desk of FIG. 1;
FIG. 7 is a bottom plan view of the computer desk of FIG. 1;
FIG. 8 is a front, off-angle, perspective view of the computer desk of FIG. 1 with the desk top and flat screen monitor in the raised position;
FIG. 9 is a front elevation view of the computer desk of FIG. 8;
FIG. 10 is a rear elevation view of the computer desk of FIG. 8;
FIG. 11 is a left side elevation view of the computer desk of FIG. 8;
FIG. 12 is a right side elevation view of the computer desk of FIG. 8;
FIG. 13 is a top plan view of the computer desk of FIG. 8;
FIG. 14 is a bottom plan view of the computer desk of FIG. 8;
and,
FIG. 15 is a front, off-angle, perspective view of a second embodiment of the classroom desk of FIG. 1 with the desk top in the closed position and a left side compartment hiding cabling.
FIG. 1 shows one embodiment of a computer work desk incorporating the new design having the cable compartment on the right side. Other views of the embodiment of FIG. 15 are not shown as they are the same or mirror images, as appropriate, of FIGS. 2 through 14 except for having the cable compartment on the left side. Computer components and accessories shown in dashed lines are not claimed.

(56) **References Cited**

U.S. PATENT DOCUMENTS

2,329,029	A *	9/1943	Bargen et al.	312/233
D273,163	S *	3/1984	Halme	D6/420
D277,056	S *	1/1985	Nicholson	D6/420
D306,105	S *	2/1990	Newhouse	D6/420
D306,534	S *	3/1990	Bacon et al.	D6/419
D376,931	S *	12/1996	Fewchuk	D6/425
5,622,119	A *	4/1997	Hsieh	108/115
6,286,440	B1	9/2001	Jyringi	

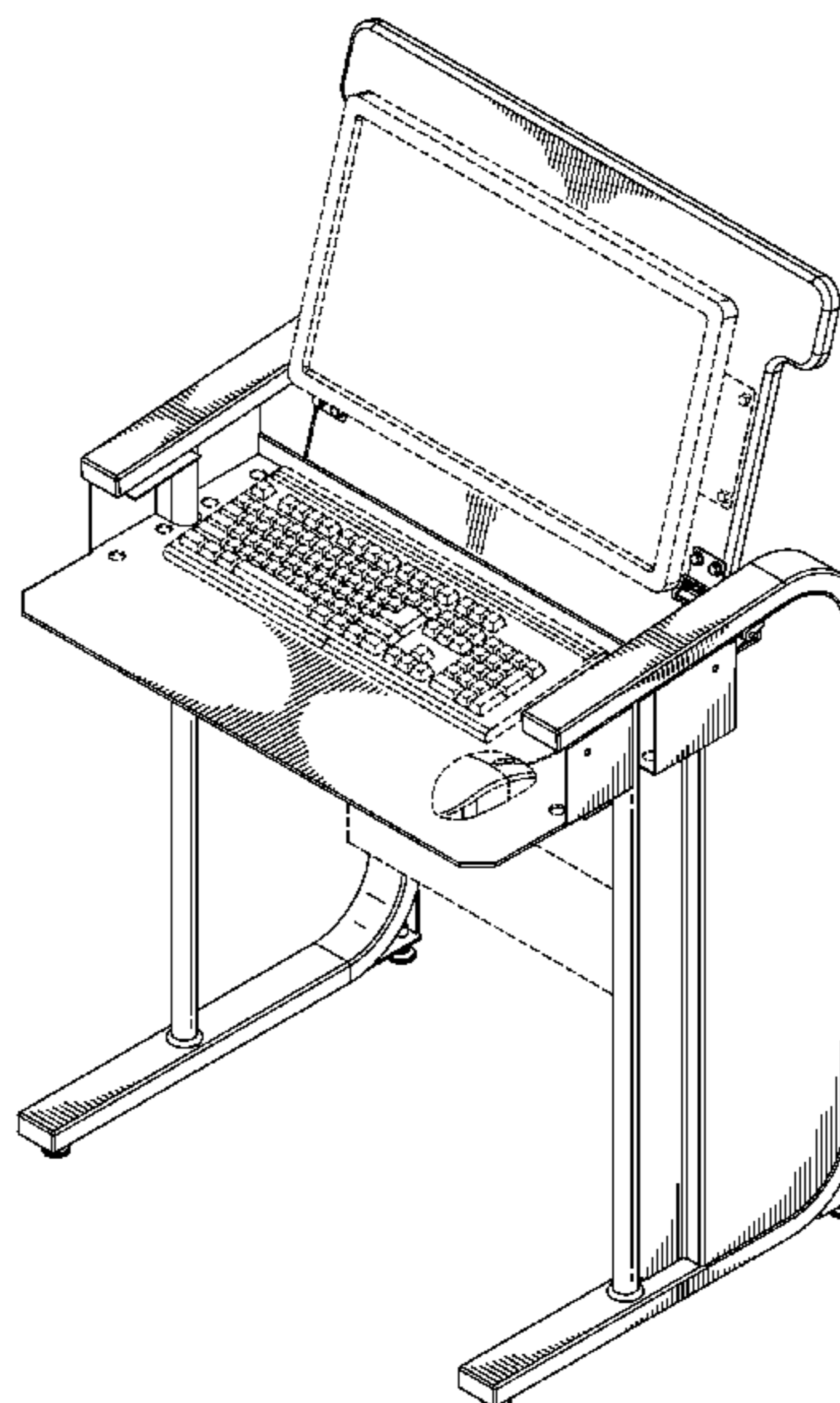
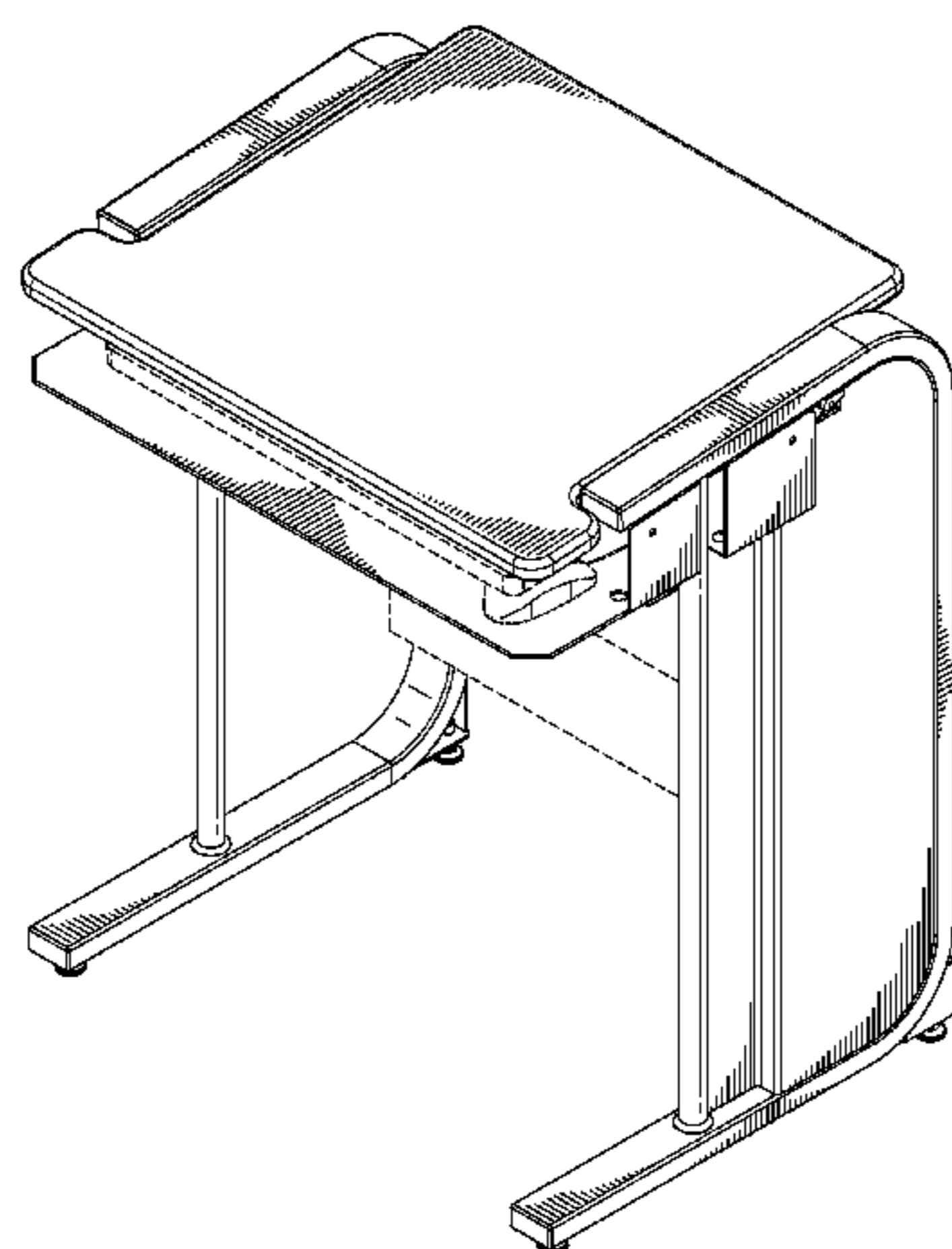
(Continued)

Primary Examiner — Janice Seeger

(57) **CLAIM**

The ornamental design for a “classroom desk,” as shown and described.

1 Claim, 13 Drawing Sheets



US D652,229 S

Page 2

U.S. PATENT DOCUMENTS							
6,553,919	B1	4/2003	Nevin	2003/0230222	A1	12/2003	Liu
6,820,562	B2	11/2004	Zodnik et al.	2004/0000258	A1	1/2004	Riddiford et al.
6,827,409	B2	12/2004	Michael	2004/0123782	A1	7/2004	Korber et al.
D516,340	S *	3/2006	Chang D6/425	2005/0145142	A1	7/2005	Korber et al.
7,029,079	B2	4/2006	Holt	2006/0185564	A1	8/2006	Stengel et al.
7,047,890	B2	5/2006	Korber et al.	2006/0191445	A1	8/2006	Stengel et al.
7,100,516	B2	9/2006	Riddiford et al.	2007/0000414	A1	1/2007	Riddiford et al.
D577,517	S *	9/2008	Kumazawa D6/499	2008/0072803	A1	3/2008	Korber et al.
D612,643	S *	3/2010	Rossini et al. D6/511				

* cited by examiner

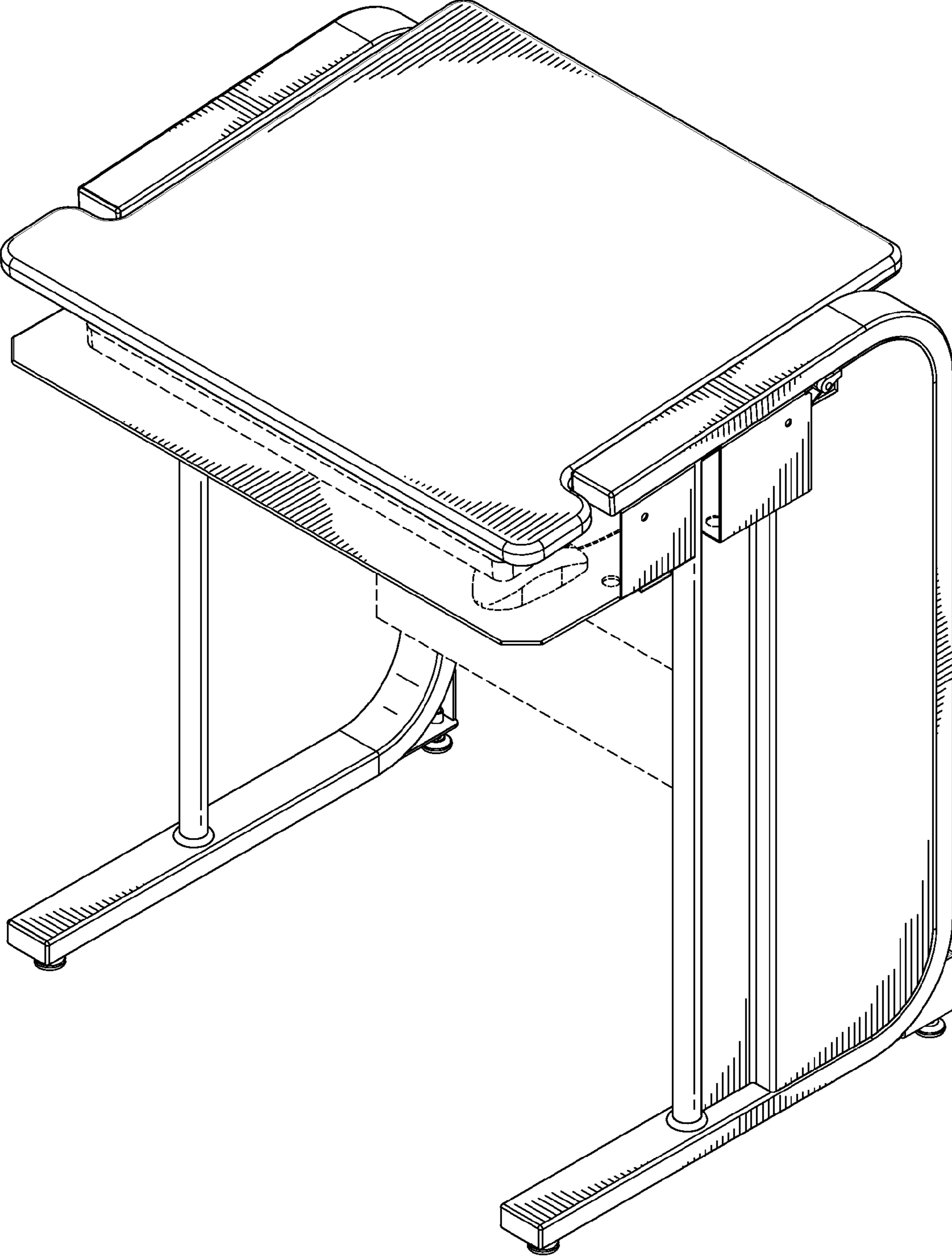


FIG. 1

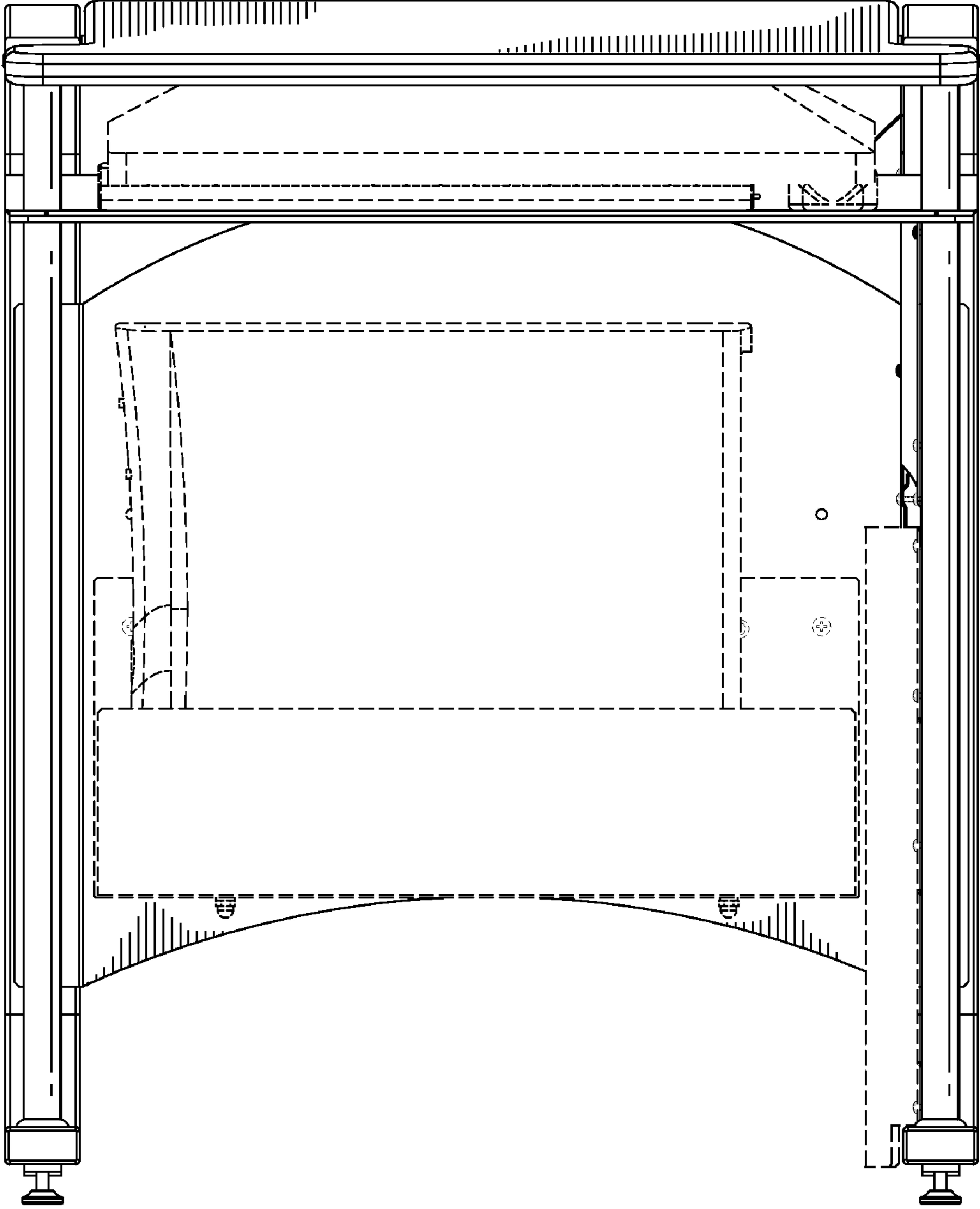


FIG. 2

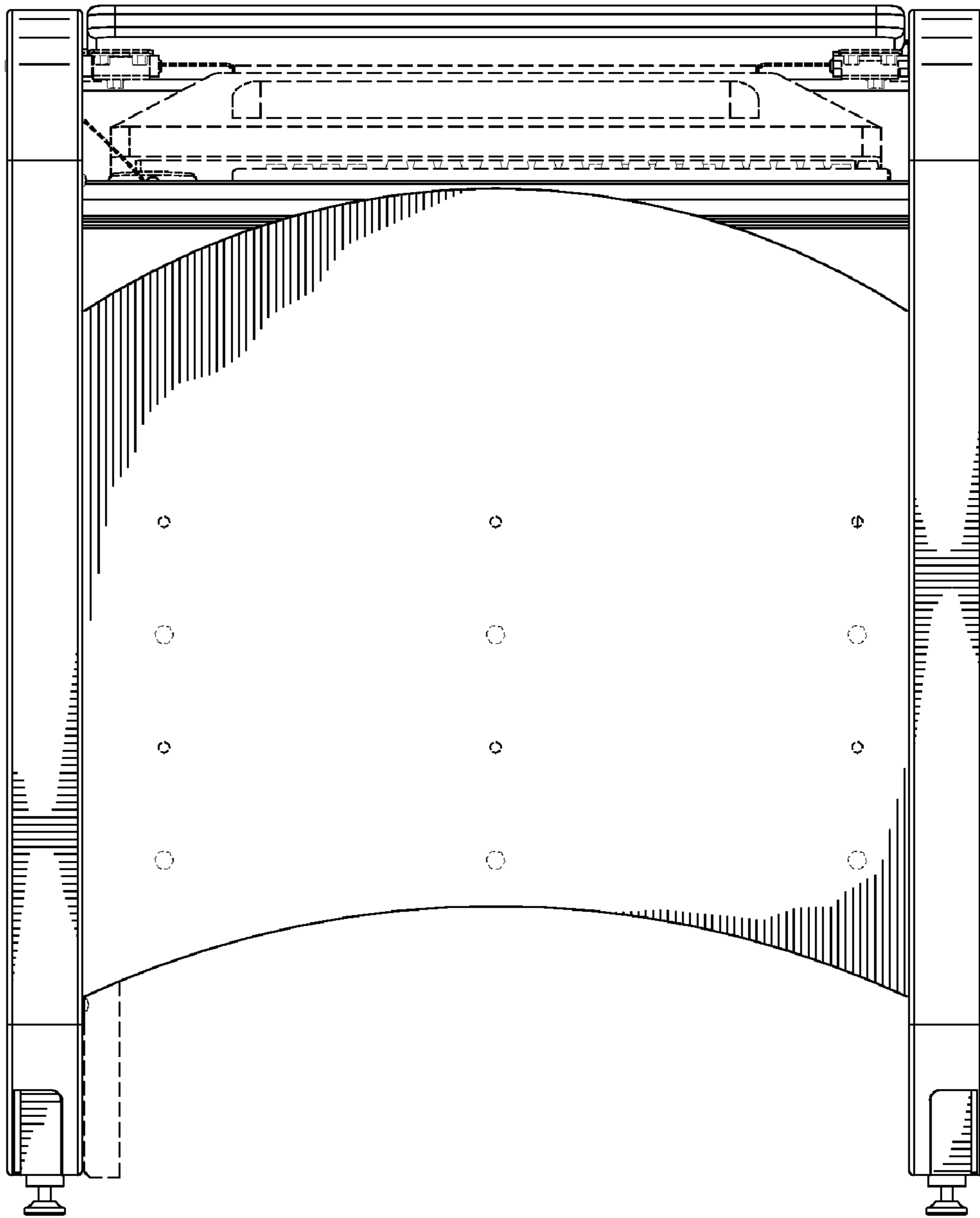


FIG. 3

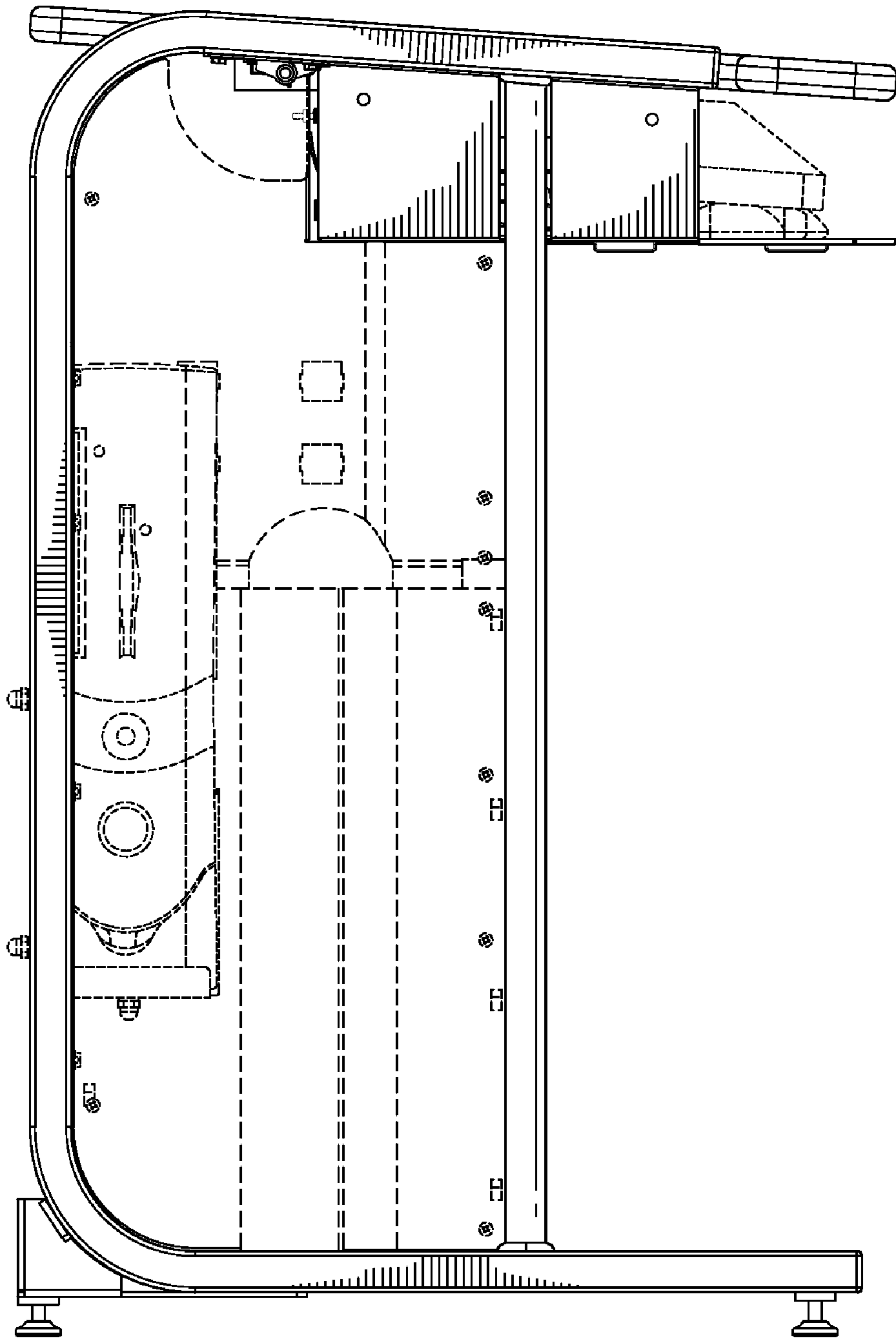


FIG. 4

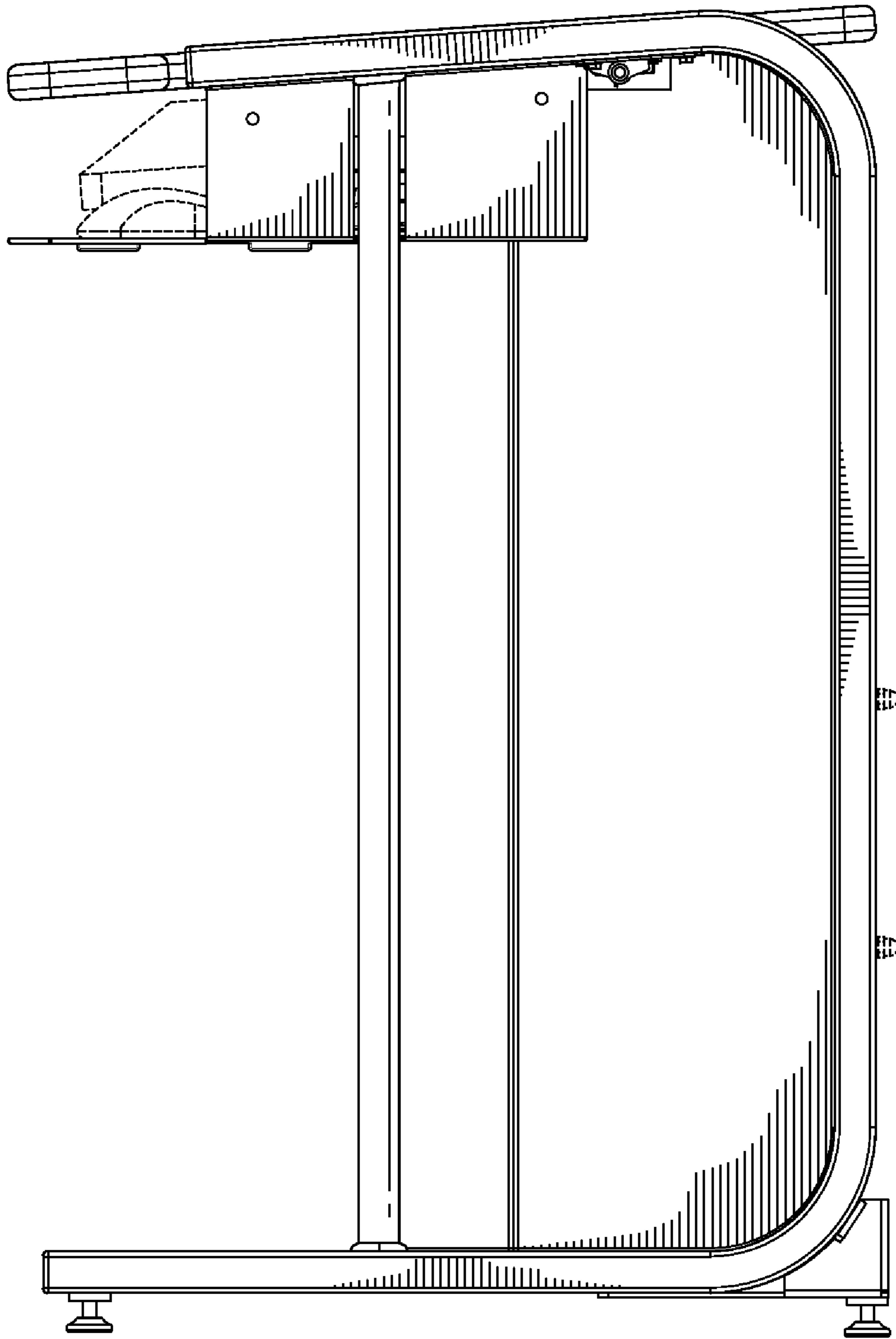


FIG. 5

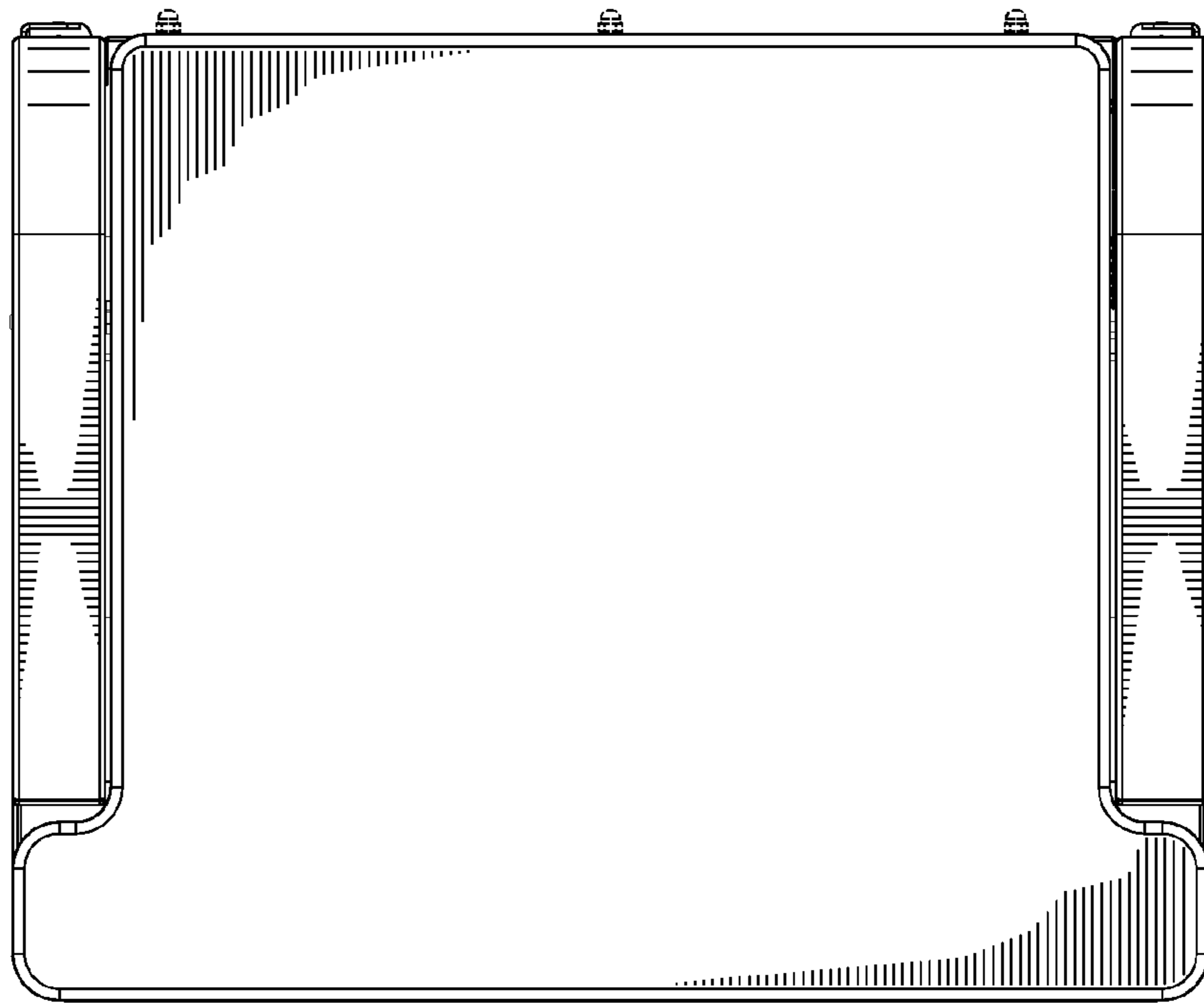


FIG. 6

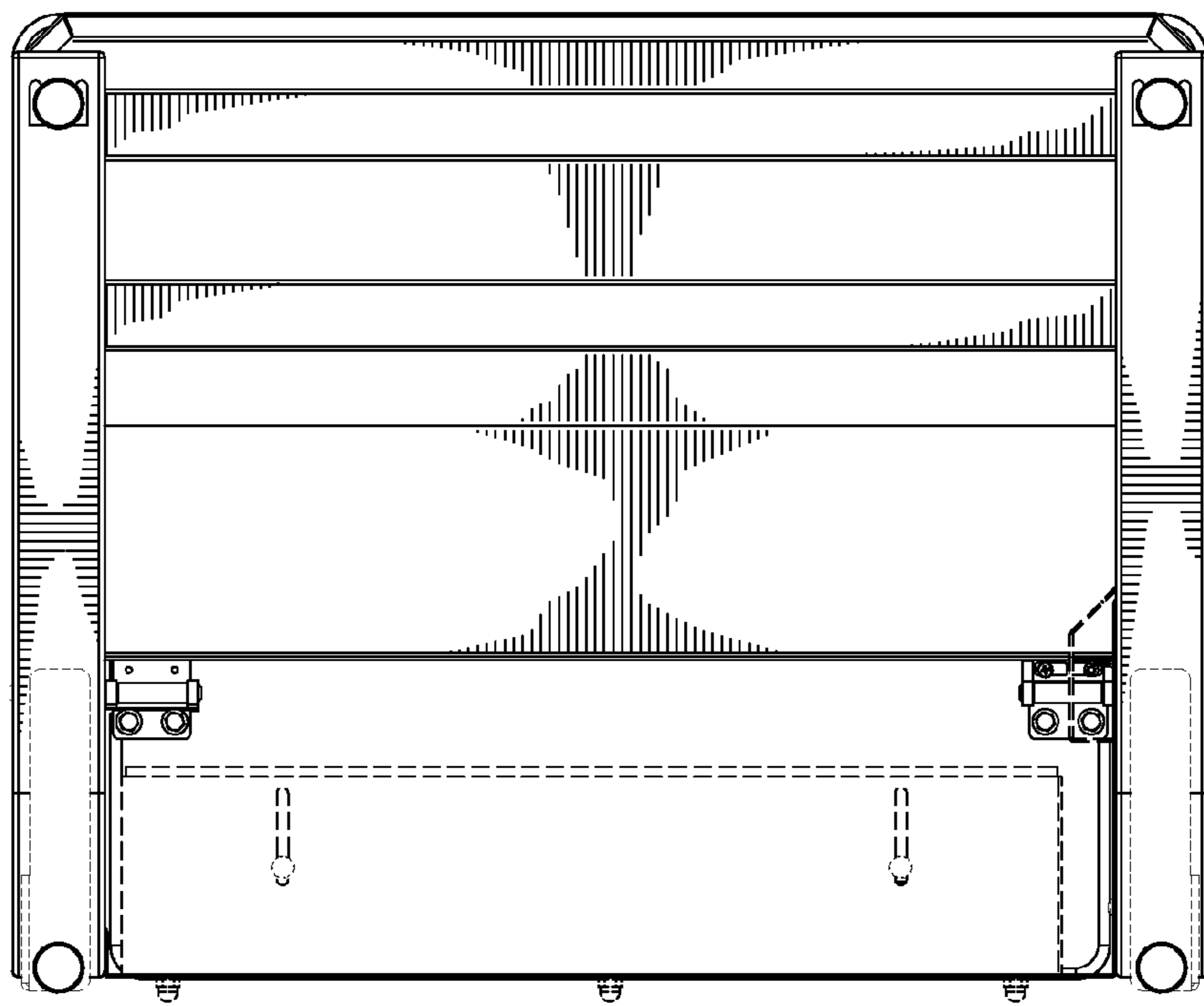


FIG. 7

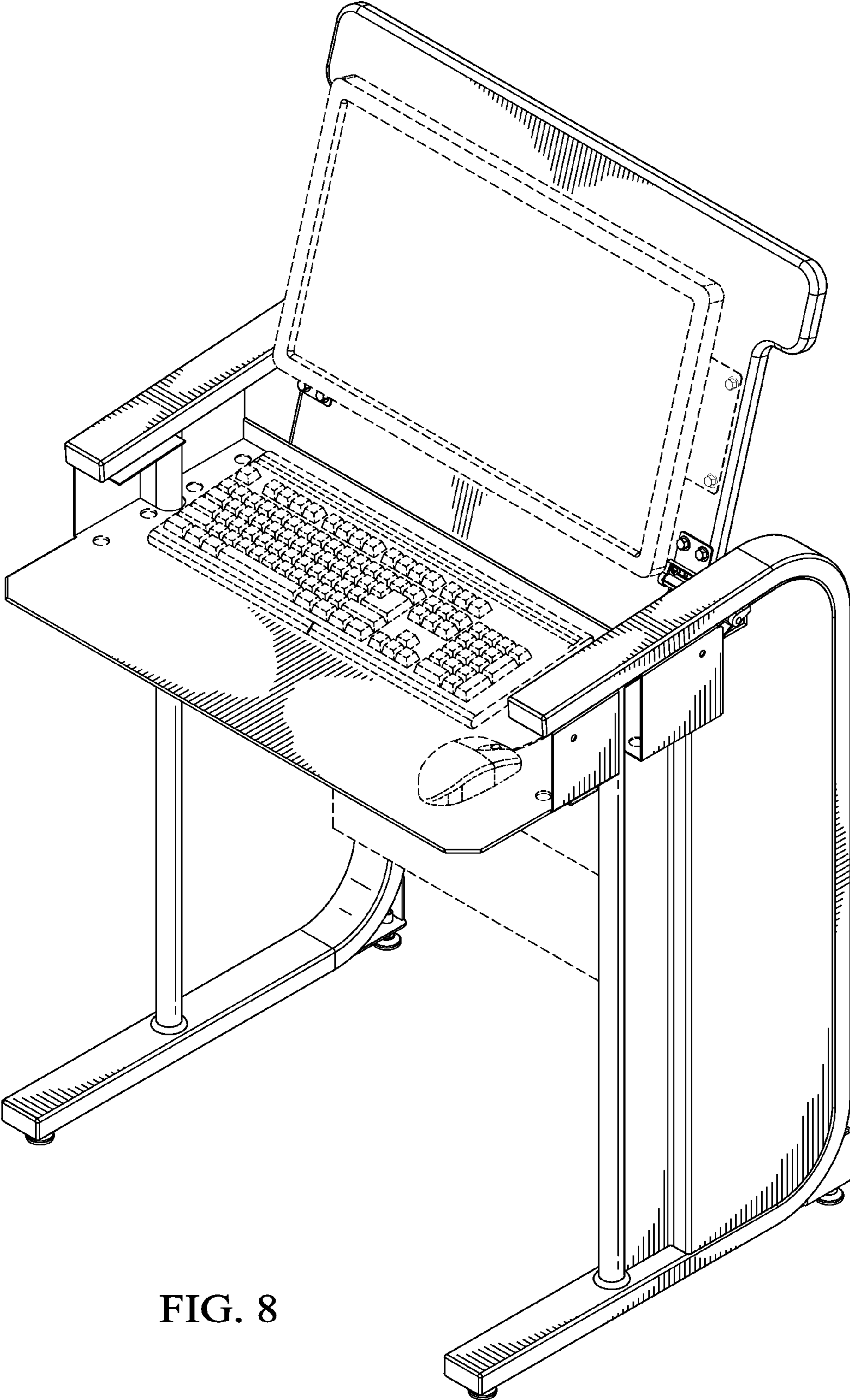


FIG. 8

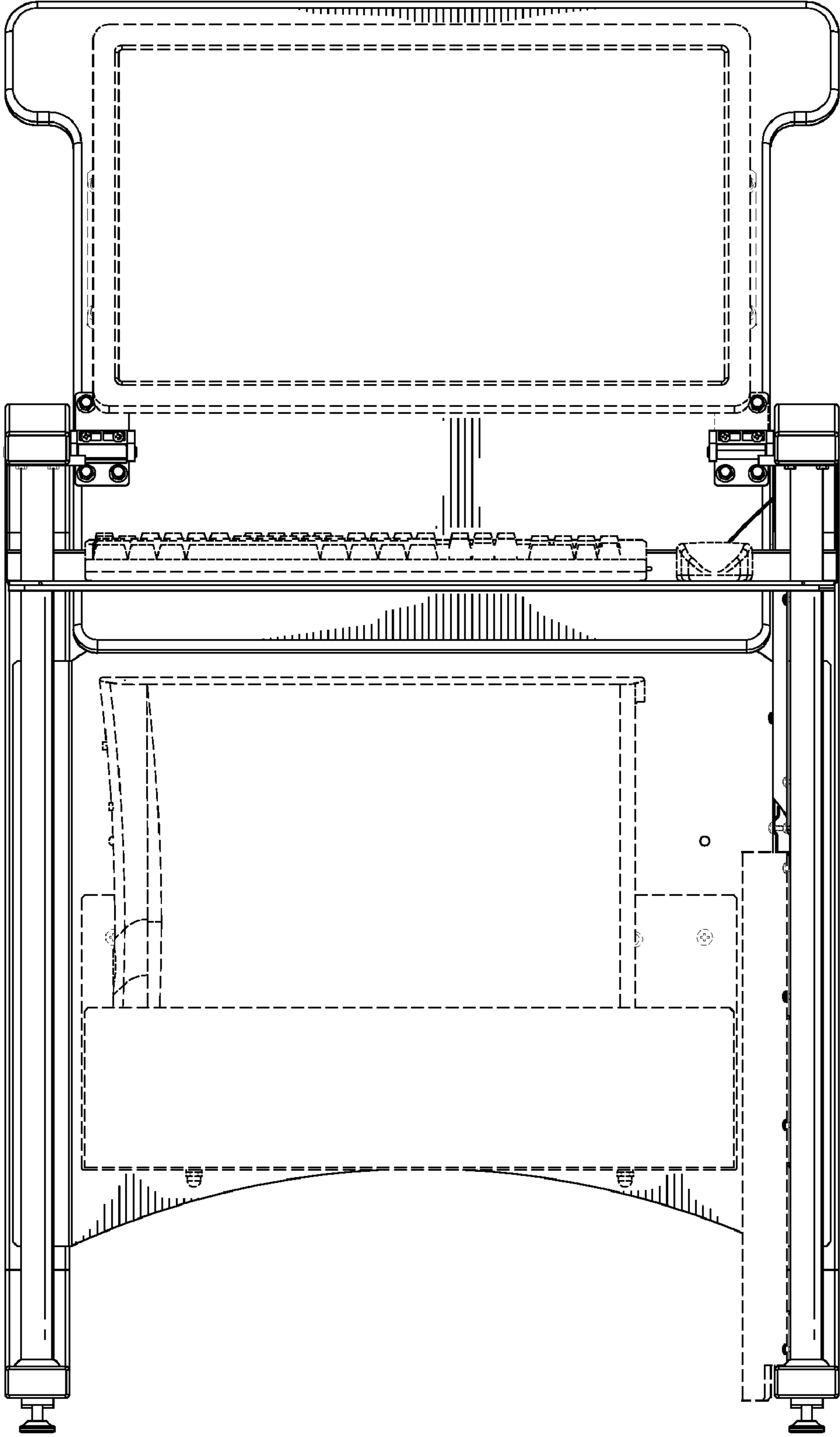


FIG. 9

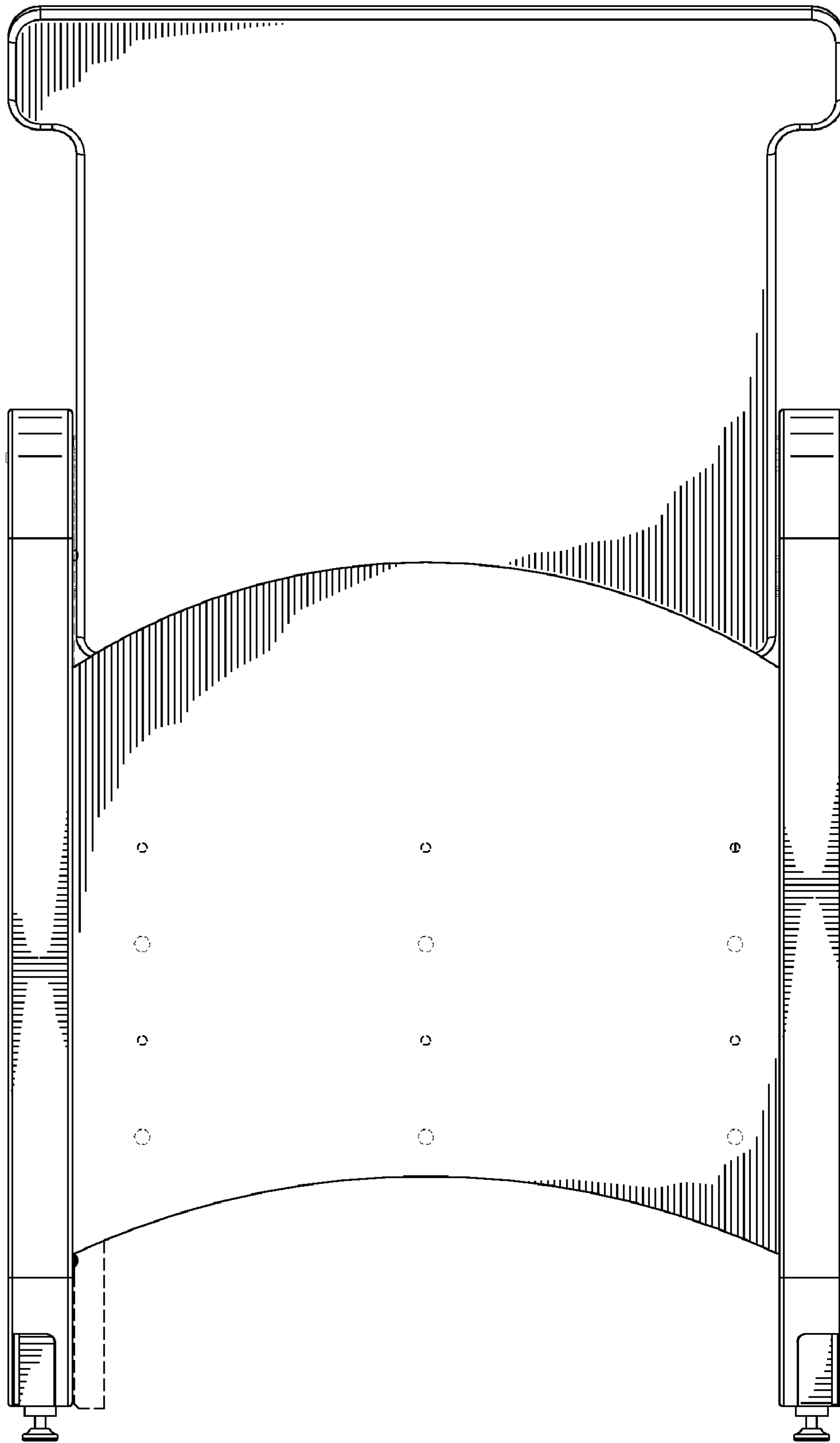


FIG. 10

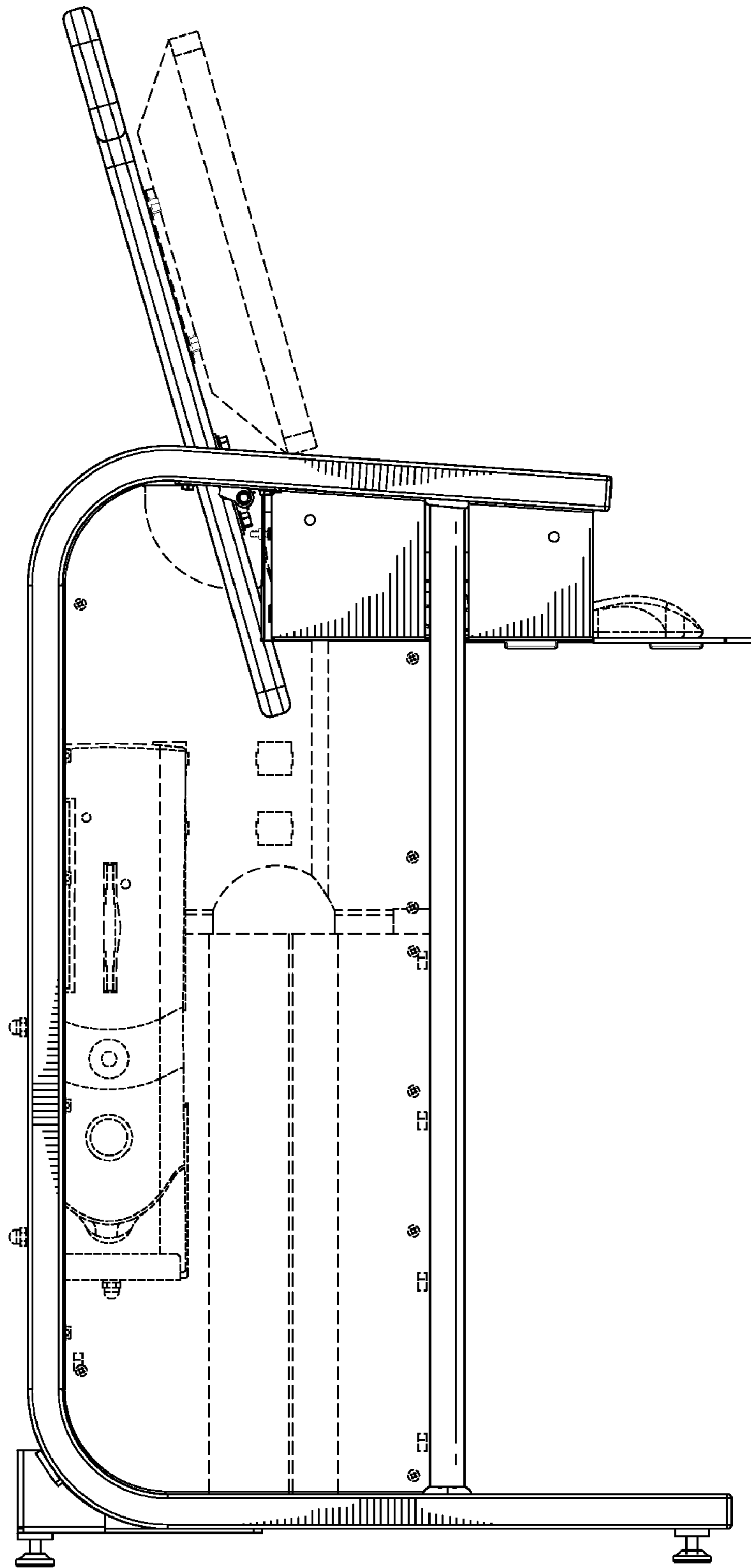


FIG. 11

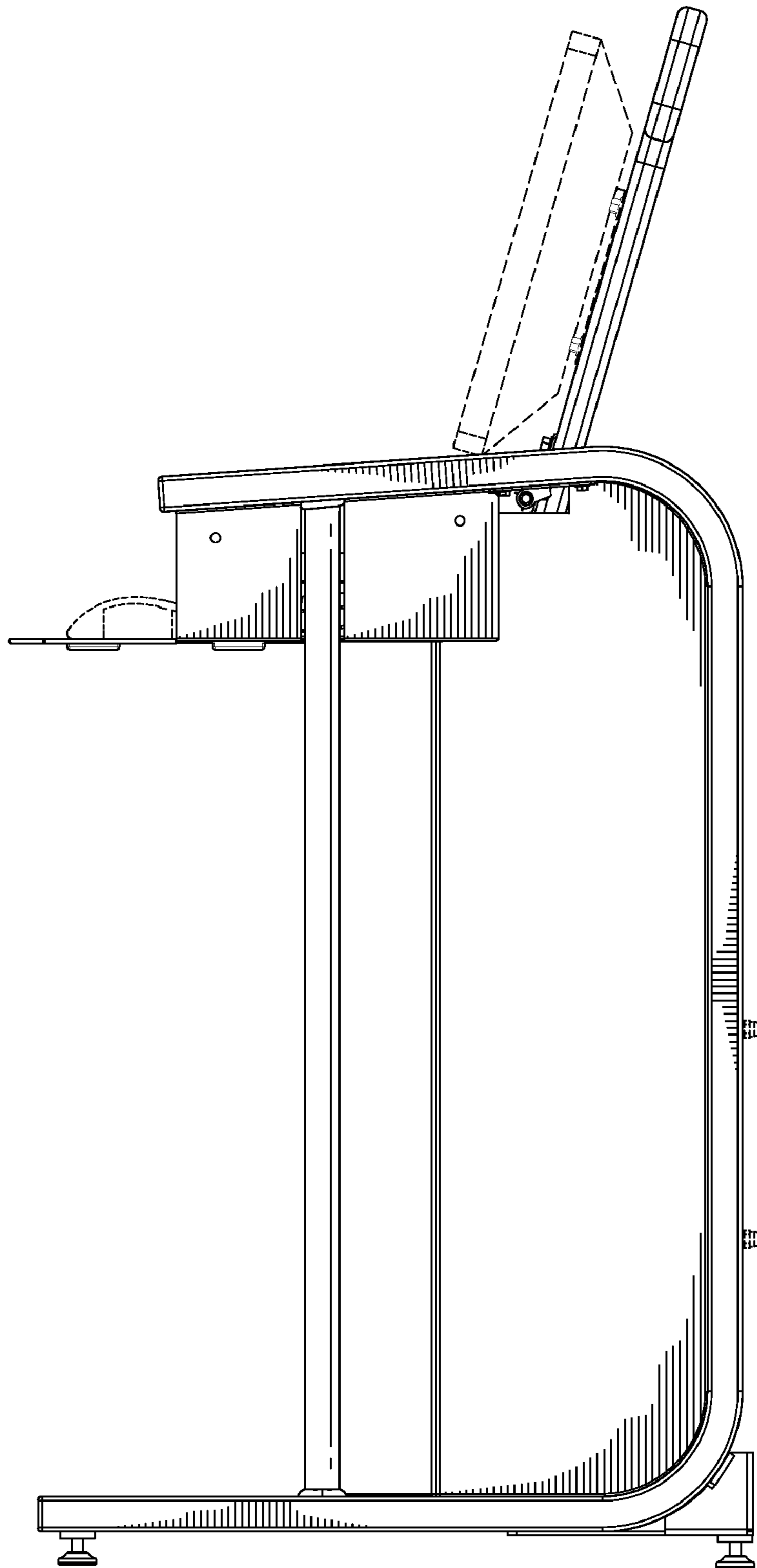


FIG. 12

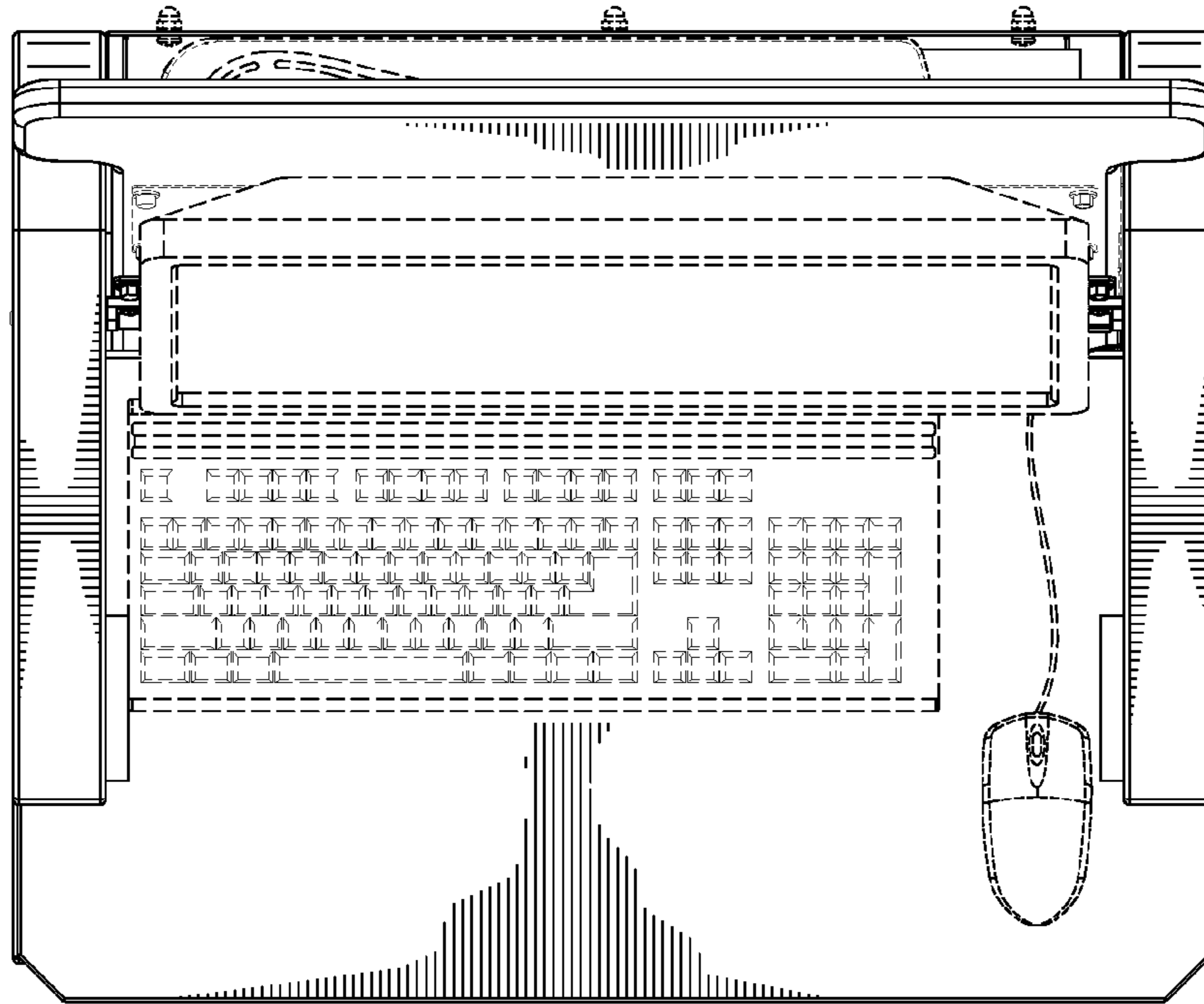


FIG. 13

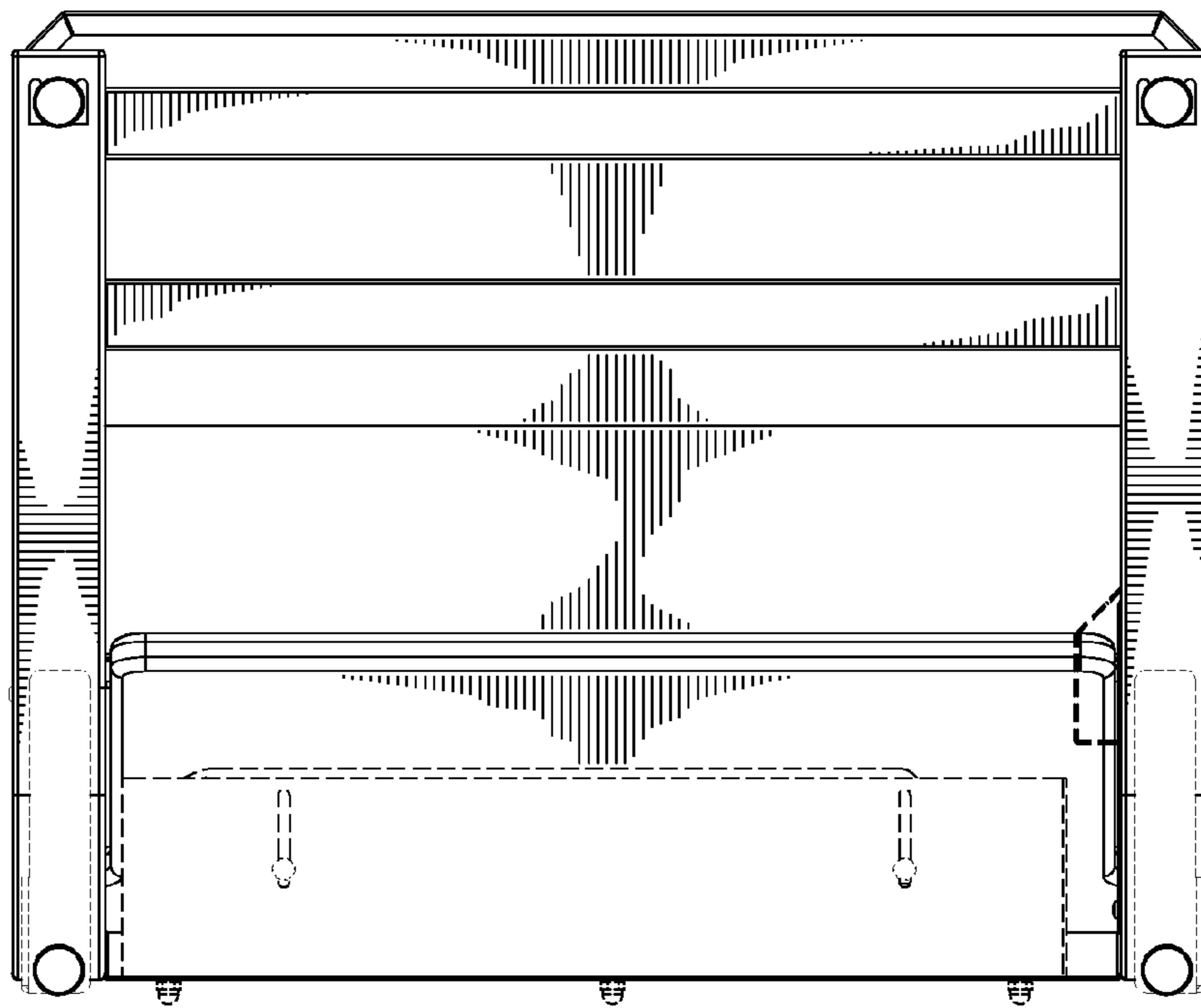


FIG. 14

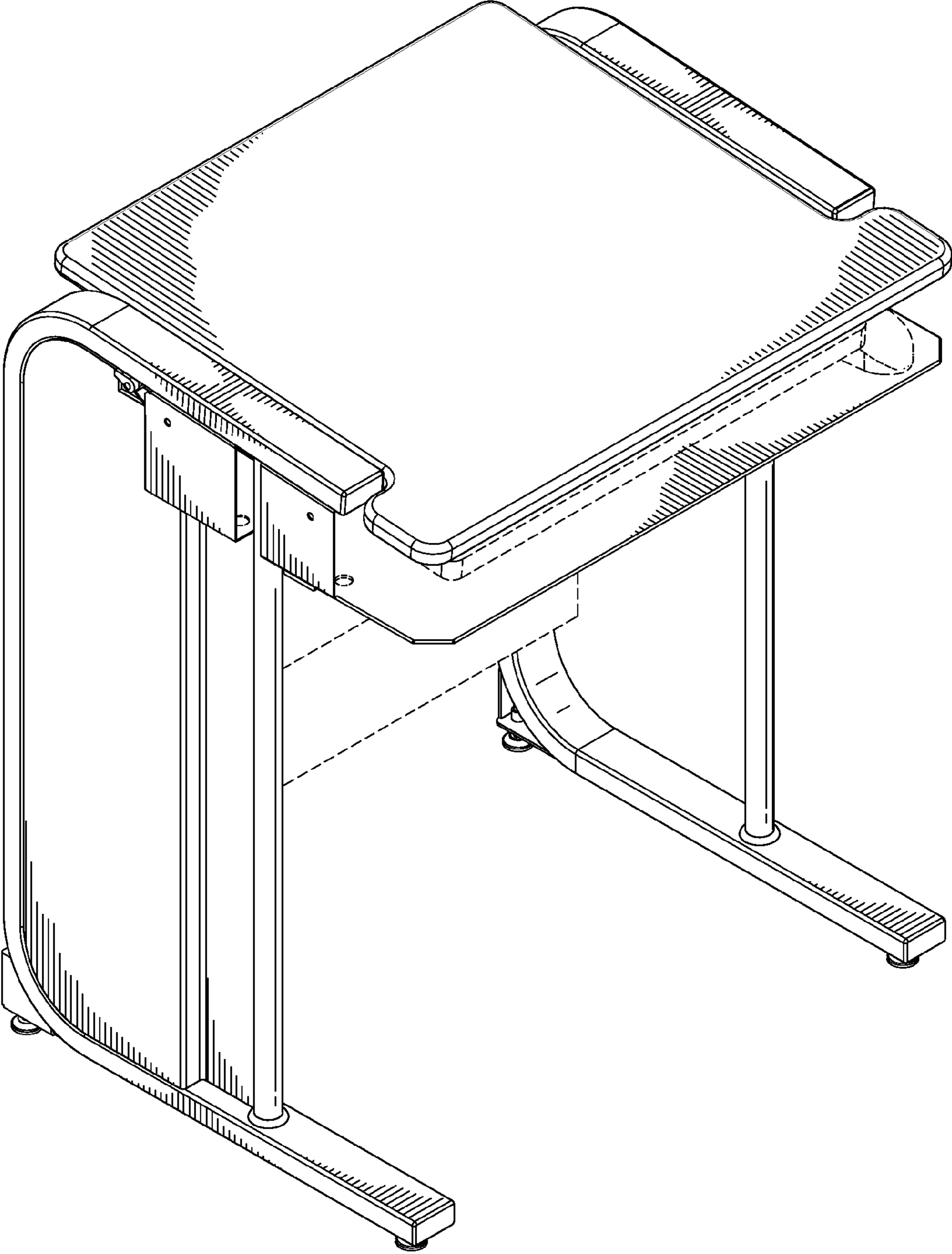


FIG. 15