

US00D652228S

(12) **United States Design Patent**
Silver et al.

(10) **Patent No.:** **US D652,228 S**
(45) **Date of Patent:** **** Jan. 17, 2012**

(54) **FOLDING TABLE WITH RECEIVING APERTURES**

(76) Inventors: **Wayne A. Silver**, County Harbor (CA);
Jesse Silver, County Harbor (CA)

(**) Term: **14 Years**

(21) Appl. No.: **29/362,704**

(22) Filed: **May 28, 2010**

(51) **LOC (9) Cl.** **06-03**

(52) **U.S. Cl.** **D6/429; D6/484**

(58) **Field of Classification Search** D6/480-489,
D6/495-499, 511, 429-431, 406.3, 406.5;
108/150, 155, 156, 157.1, 161, 25, 26, 50.12,
108/43, 125, 126; D12/419; D7/553.1, 553.2,
D7/553.4, 553.5

See application file for complete search history.

(56) **References Cited**

U.S. PATENT DOCUMENTS

1,774,364	A *	8/1930	Gale	108/125
2,660,498	A	11/1953	Norquist	
2,905,513	A	9/1959	Kane	
3,115,108	A *	12/1963	Craddock et al.	108/155
3,298,328	A	1/1967	Hoodis	
3,334,930	A *	8/1967	Larson	403/65
D242,515	S *	11/1976	Shumrak et al.	D7/553.5
4,450,761	A *	5/1984	Bailey	99/580
4,625,655	A *	12/1986	Brickman	108/25
D305,015	S *	12/1989	Roche	D12/133
D339,507	S *	9/1993	Ancona et al.	D7/698
5,375,370	A *	12/1994	Zimmerman	47/41.01
D364,048	S	11/1995	Winslow, Sr.	

D366,372	S	1/1996	Skarda, Jr.	
D366,817	S	2/1996	Sampson	
5,535,682	A *	7/1996	Aigeldinger	108/25
D382,729	S	8/1997	Piker	
5,918,550	A *	7/1999	Weir et al.	108/42
6,945,502	B2	9/2005	Restifo	
7,063,025	B2	6/2006	Ashby et al.	
D538,355	S *	3/2007	Tyson	D6/480
2008/0142515	A1	6/2008	Phifer et al.	

* cited by examiner

Primary Examiner — Janice Seeger

(74) *Attorney, Agent, or Firm* — Montgomery Patent & Design, LLC; Robert C. Montgomery; Joseph T. Yaksich

(57) **CLAIM**

The ornamental design for a foldable table with receiving apertures, as shown and described.

DESCRIPTION

FIG. 1 is a perspective view of a folding table with receiving apertures, depicted with legs folded down, showing our new design;

FIG. 2 is a top view thereof;

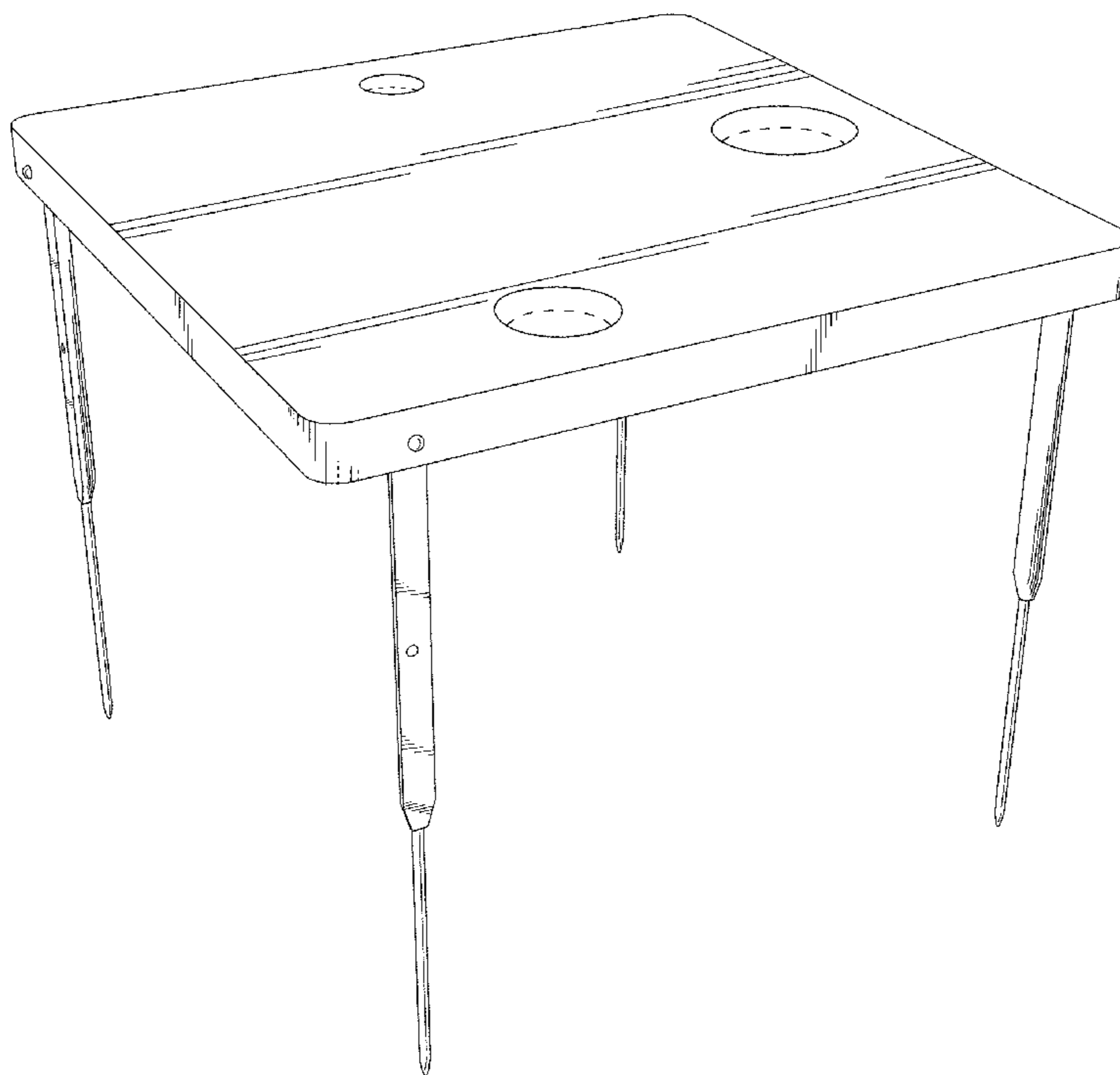
FIG. 3 is a front view thereof with a rear view, a left side view, and a right side view being the mirror image;

FIG. 4 is a bottom view thereof;

FIG. 5 is a front view of the folding table with receiving apertures, depicted with legs folded up with a rear view, a left side view, and a right side view being the mirror image; and, FIG. 6 is a bottom view thereof.

The broken lines are for environmental purposes only and form no part of the claimed design.

1 Claim, 6 Drawing Sheets



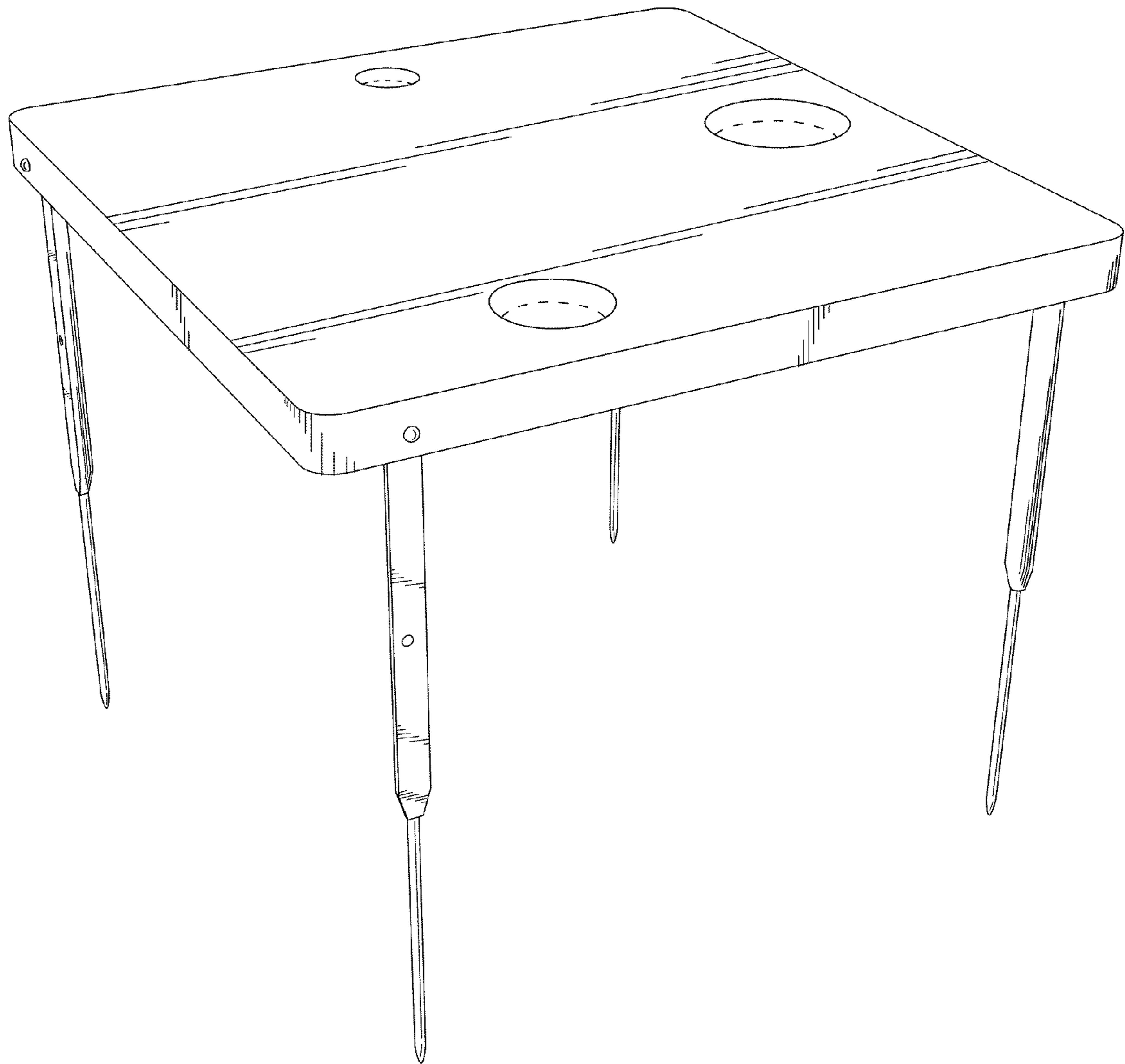


Fig. 1

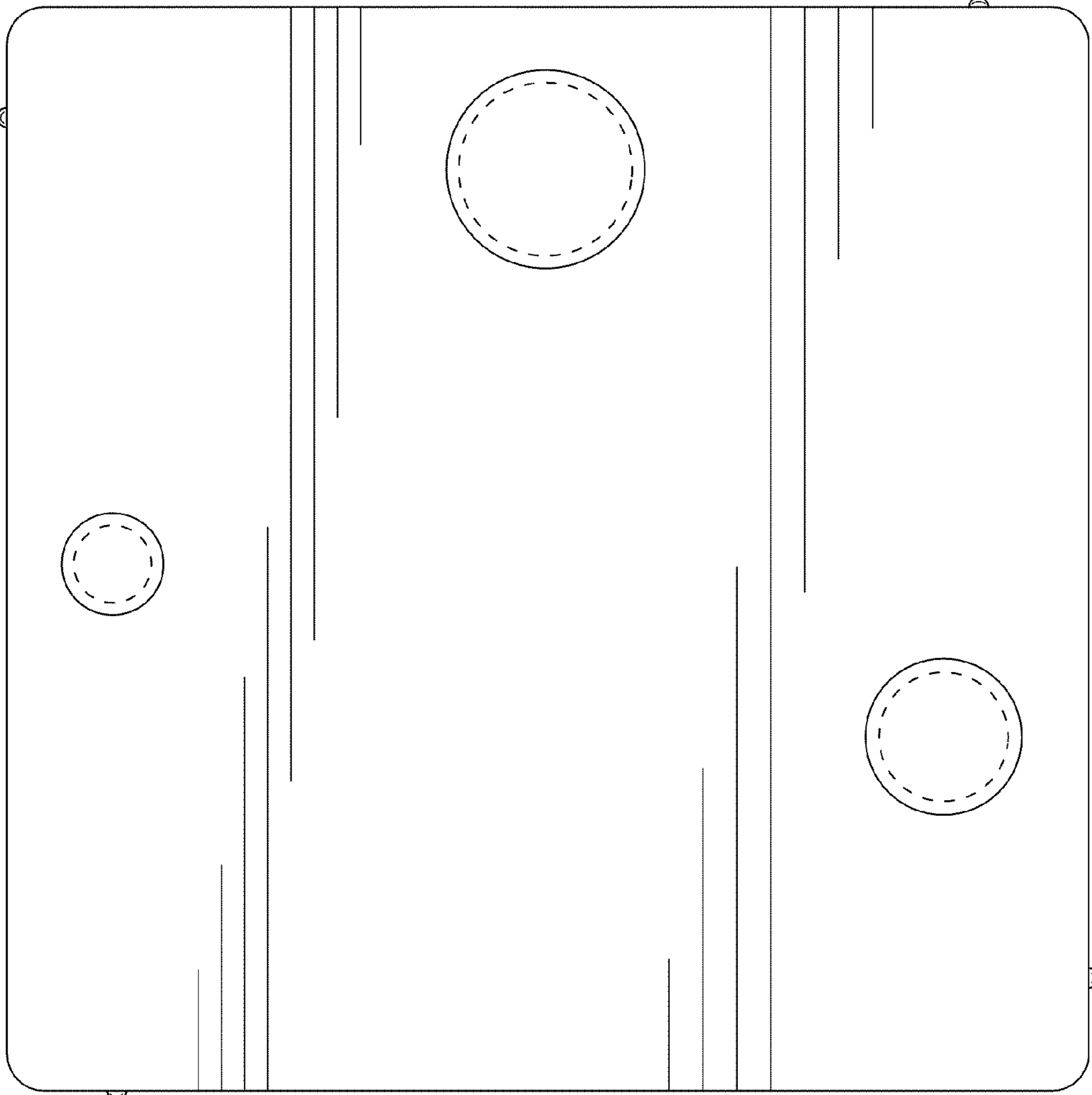


Fig. 2

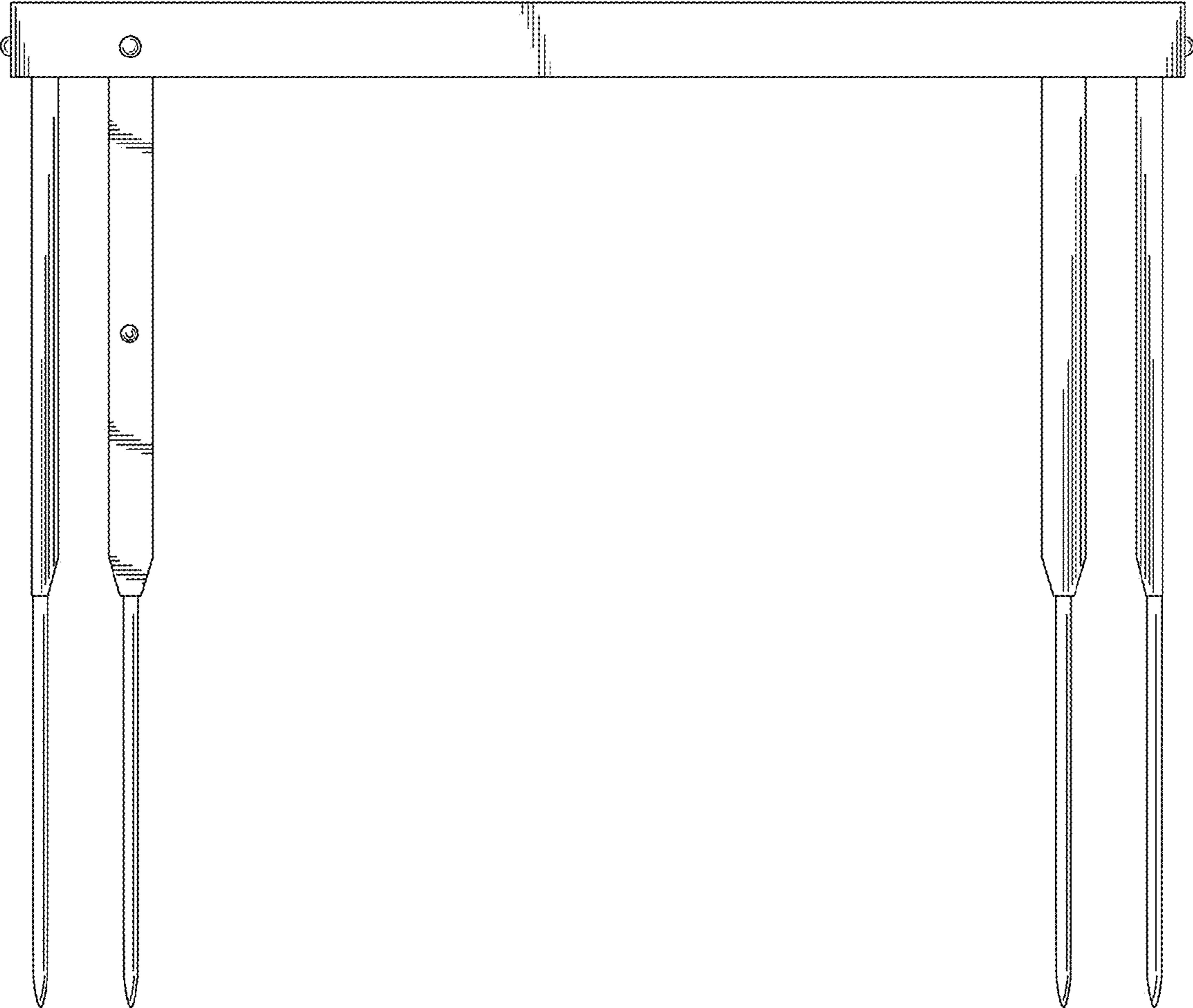


Fig. 3

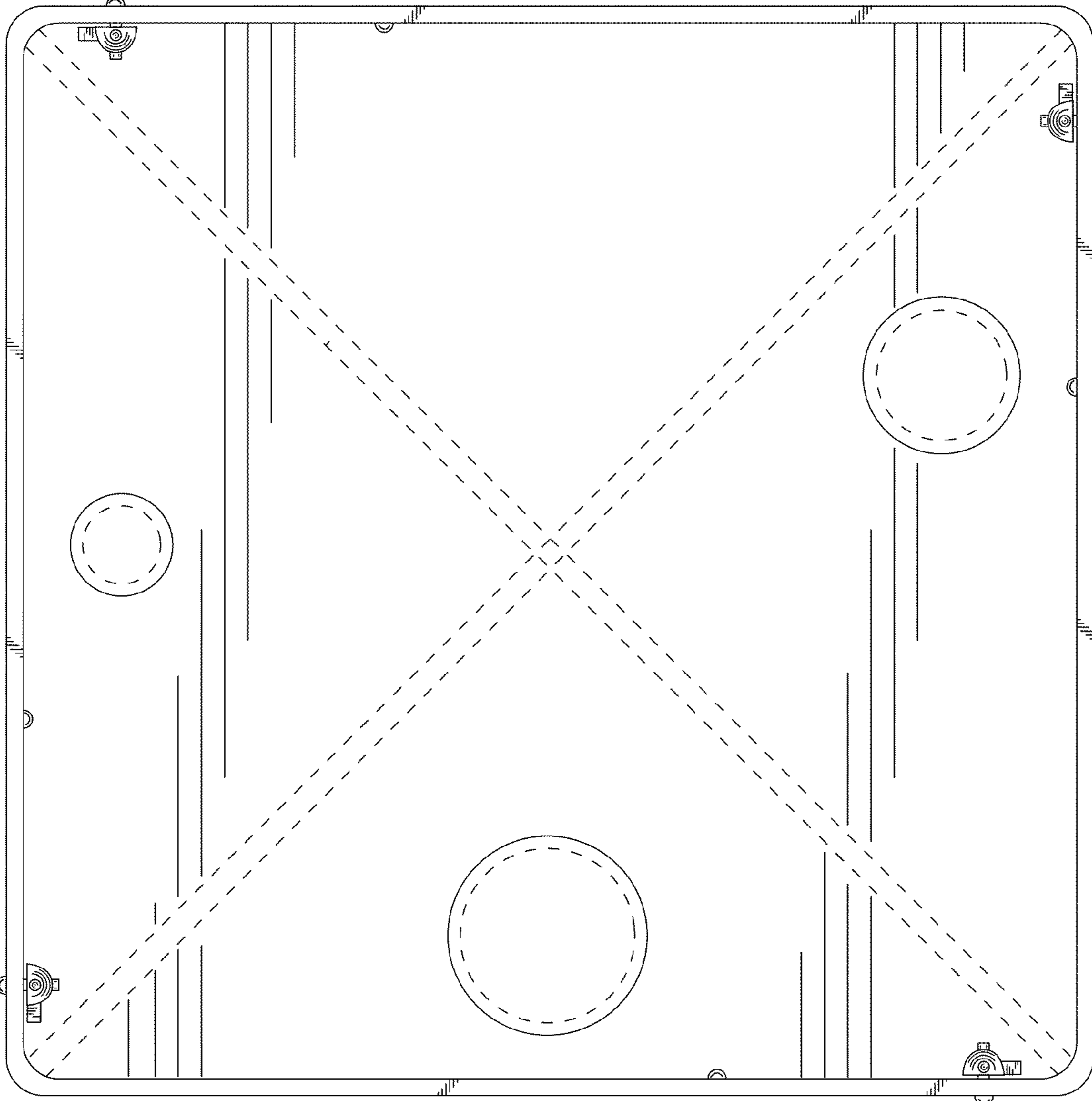


Fig. 4



Fig. 5

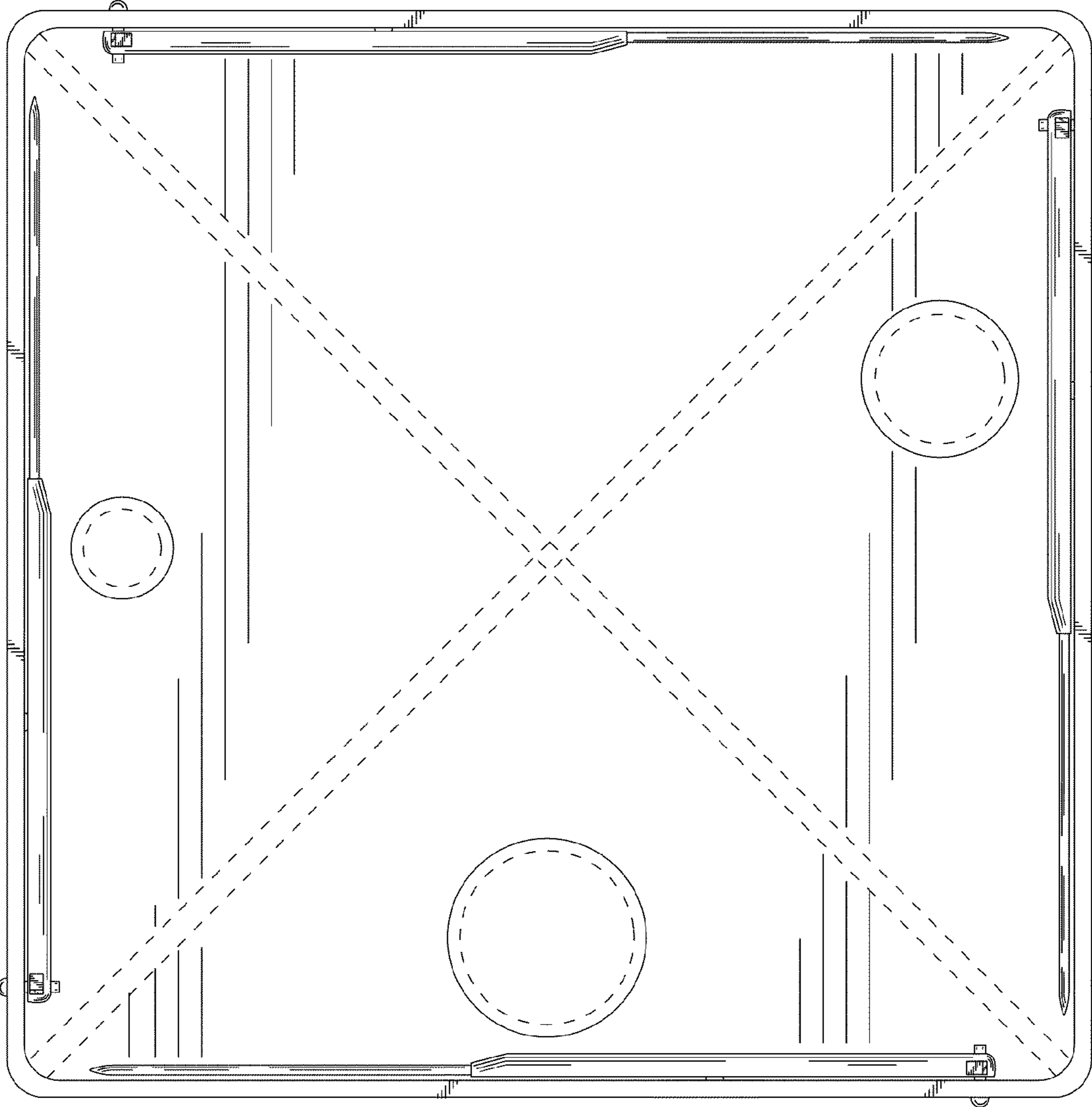


Fig. 6