

US00D652227S

(12) **United States Design Patent**
Crumrine

(10) **Patent No.:** **US D652,227 S**
(45) **Date of Patent:** **** Jan. 17, 2012**

- (54) **INFLATABLE, PORTABLE CRIB**
- (75) Inventor: **Scott Crumrine**, San Marino, CA (US)
- (73) Assignee: **Guava Family, Inc.**, San Diego, CA (US)
- (**) Term: **14 Years**
- (21) Appl. No.: **29/350,560**
- (22) Filed: **Nov. 18, 2009**

D344,642 S *	3/1994	Artz	D6/390
D364,977 S *	12/1995	Hine	D6/391
D411,686 S *	6/1999	Garcia	D6/331
6,152,530 A	11/2000	Hsu et al.	
6,651,275 B1	11/2003	Rummell	
7,131,701 B1	11/2006	Yang	
7,246,393 B2	7/2007	Westendorf et al.	
D607,220 S *	1/2010	Hardy et al.	D6/331
2010/0159796 A1 *	6/2010	Chiang	446/220

* cited by examiner

Primary Examiner — Janice Seeger
(74) *Attorney, Agent, or Firm* — Cooley LLP

Related U.S. Application Data

- (63) Continuation-in-part of application No. 12/488,495, filed on Jun. 19, 2009.
 - (51) **LOC (9) Cl.** **06-02**
 - (52) **U.S. Cl.** **D6/391; D6/333**
 - (58) **Field of Classification Search** D6/385-387, D6/390, 391, 333, 331.503; 5/93.1, 98.1, 5/98.3, 99.1, 100, 101, 102, 105, 945, 947, 5/655, 93.2
- See application file for complete search history.

(57) **CLAIM**

The ornamental design for an inflatable, portable crib, as shown and described.

DESCRIPTION

FIG. 1 is a front elevation view of the inflatable, portable crib, the opposite side being substantially identical to the side shown;

FIG. 2 is a top plan view of the inflatable, portable crib;

FIG. 3 is a right side view of the inflatable, portable crib, the opposite side being substantially identical to the side shown; and,

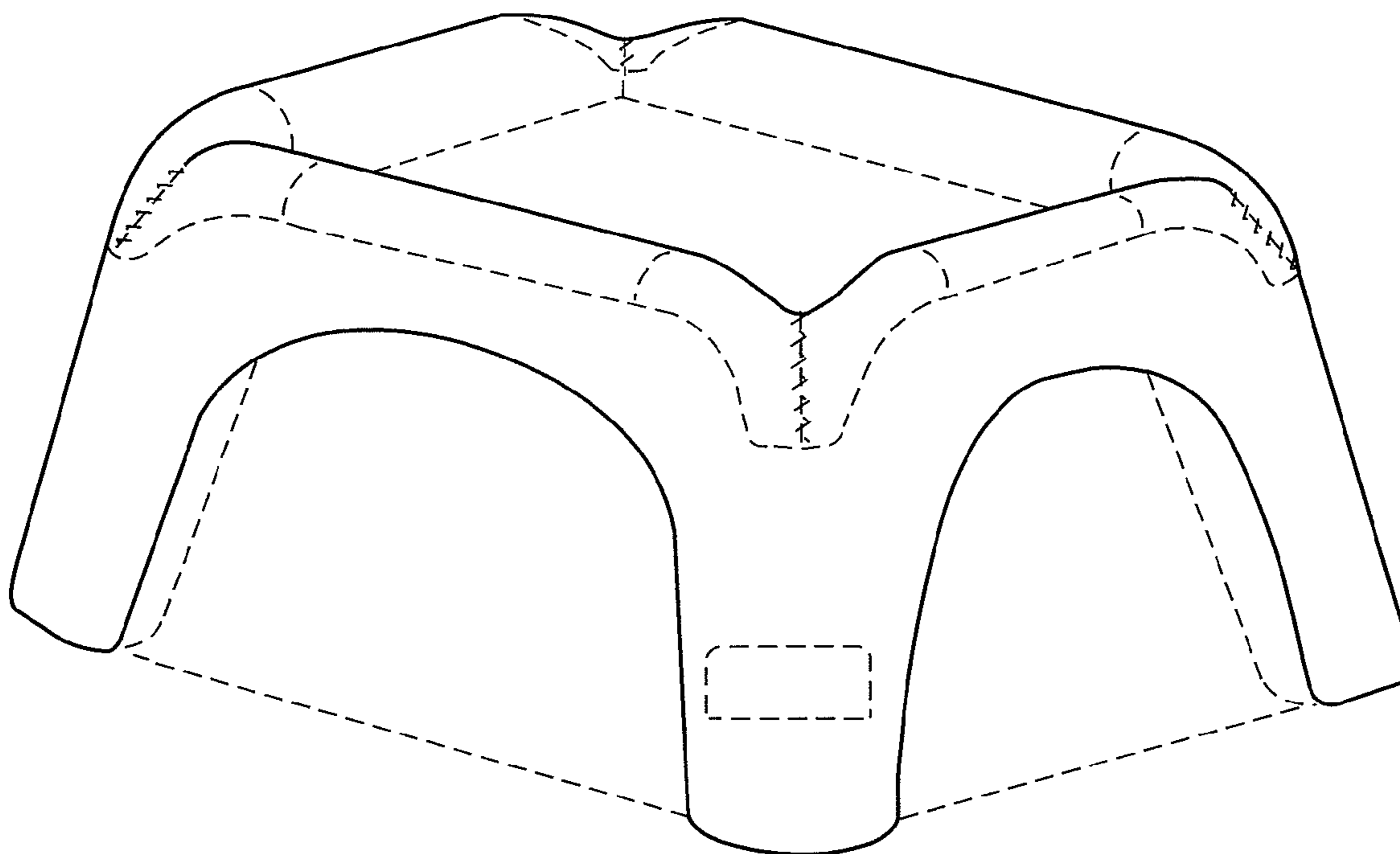
FIG. 4 is a perspective view of the inflatable, portable crib. The broken lines are for environmental purposes only and form no part of the claimed design.

(56) **References Cited**

U.S. PATENT DOCUMENTS

D229,799 S *	1/1974	Suzuki	D6/331
4,819,285 A	4/1989	Fetters	

1 Claim, 4 Drawing Sheets



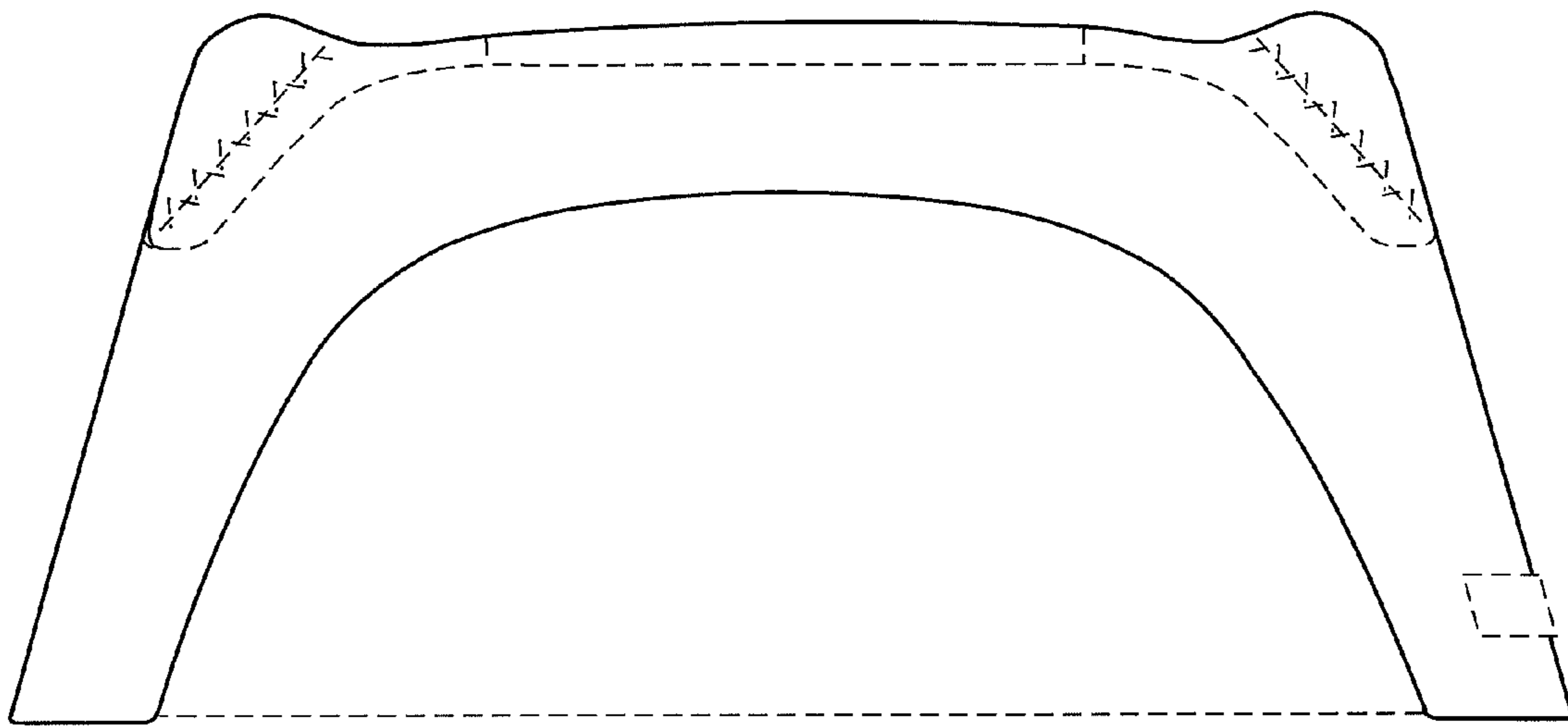


Figure 1

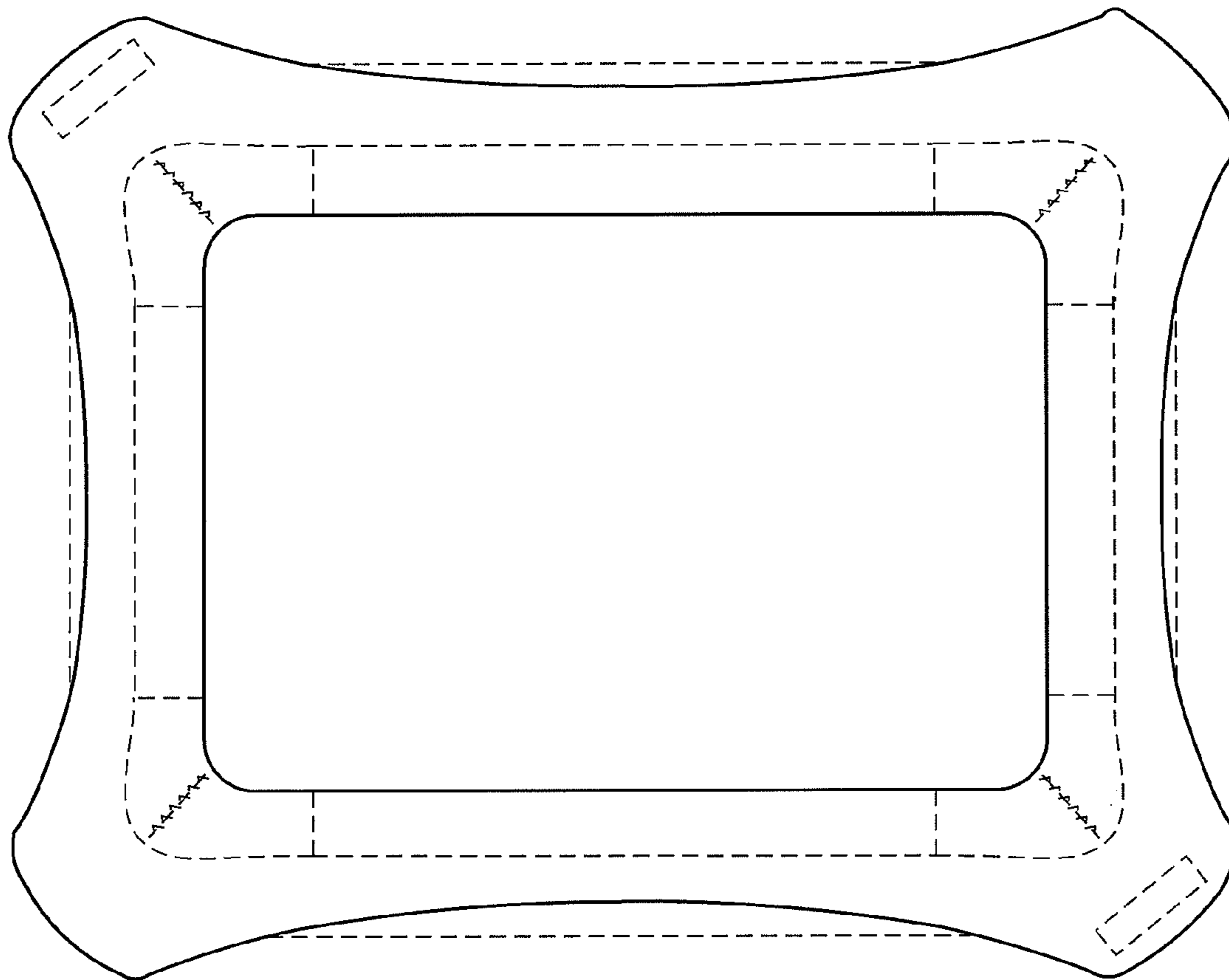


Figure 2

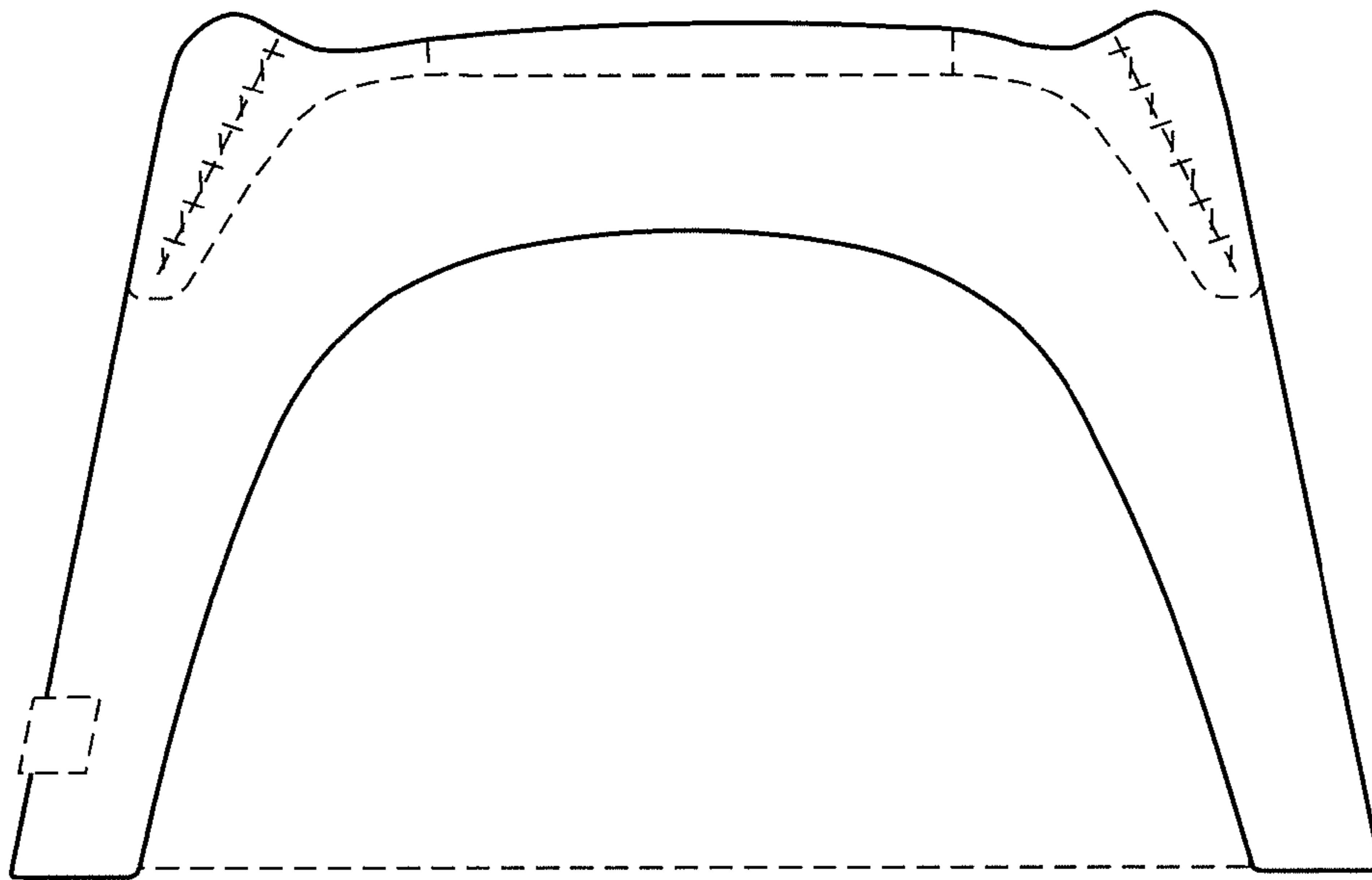


Figure 3

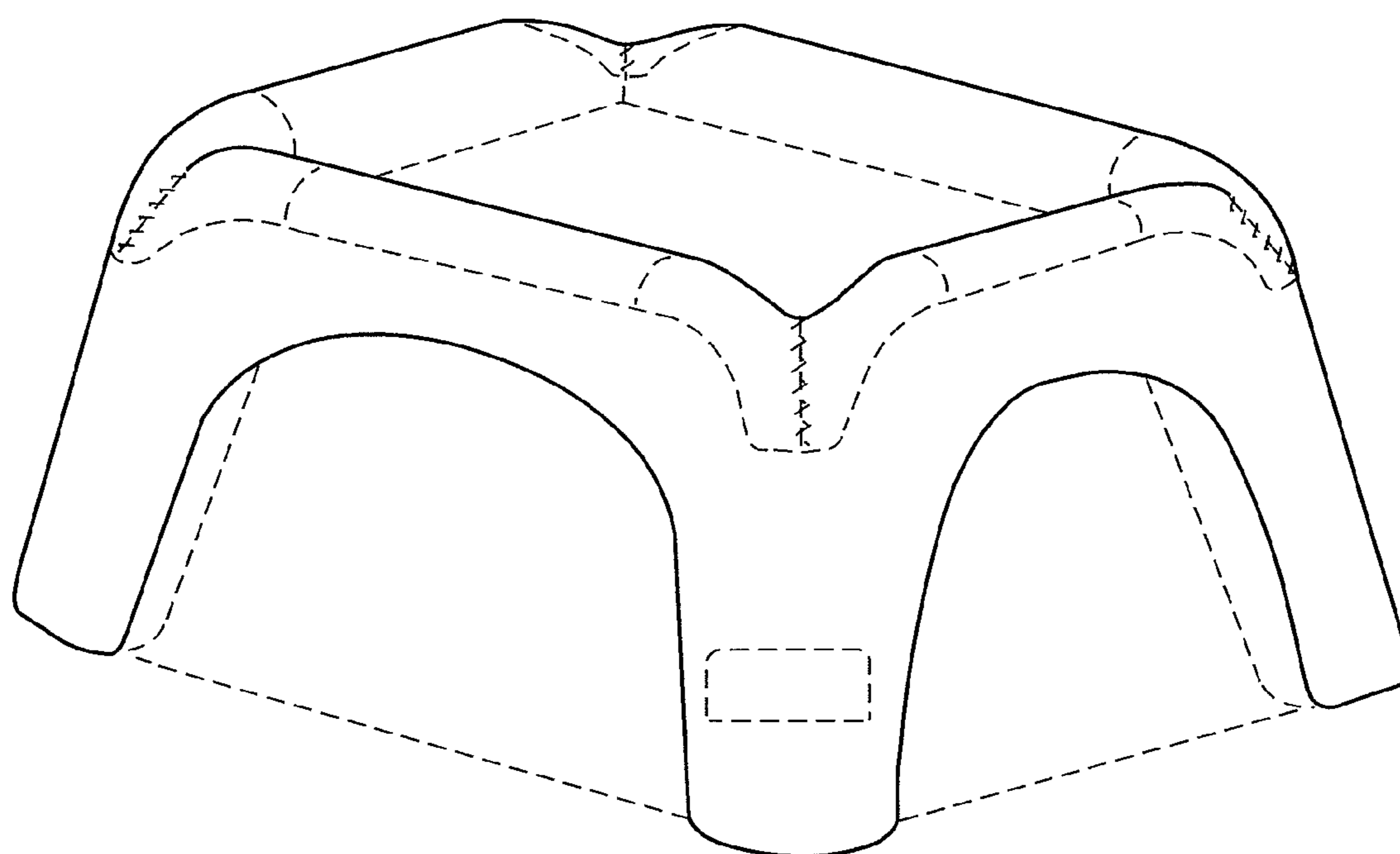


Figure 4