



US00D652226S

(12) **United States Design Patent**
Andersen

(10) **Patent No.:** **US D652,226 S**
(45) **Date of Patent:** **** Jan. 17, 2012**

(54) **SOFA**
(75) Inventor: **Per Weiss Andersen**, Randers (DK)
(73) Assignee: **Innovation U.S.A., Inc.**, Hanover, MD (US)

D443,989 S * 6/2001 Gomez D6/335
D444,305 S * 7/2001 Mourgue D6/335
D446,962 S * 8/2001 Mourgue D6/381
D455,281 S 4/2002 Andersen et al.
D455,282 S 4/2002 Andersen et al.
D490,996 S 6/2004 Weiss et al.

(Continued)

(**) Term: **14 Years**
(21) Appl. No.: **29/364,420**
(22) Filed: **Jun. 23, 2010**

OTHER PUBLICATIONS

U.S. Appl. No. 29/364,417—Non-Final Office Action dated Feb. 15, 2011.

Primary Examiner — Elizabeth Albert
Assistant Examiner — Kelley Donnelly
(74) *Attorney, Agent, or Firm* — Miles & Stockbridge P.C.

(30) **Foreign Application Priority Data**
Feb. 5, 2010 (CN) 2010 3 0113086
(51) **LOC (9) Cl.** **06-01**
(52) **U.S. Cl.** **D6/373**
(58) **Field of Classification Search** D6/334–335,
D6/355, 361, 367–368, 370–375, 379–383,
D6/500–502; 297/445.1, 446.1, 448.1–448.2,
297/452.12, 452.48; 5/12.1–12.2, 45
See application file for complete search history.

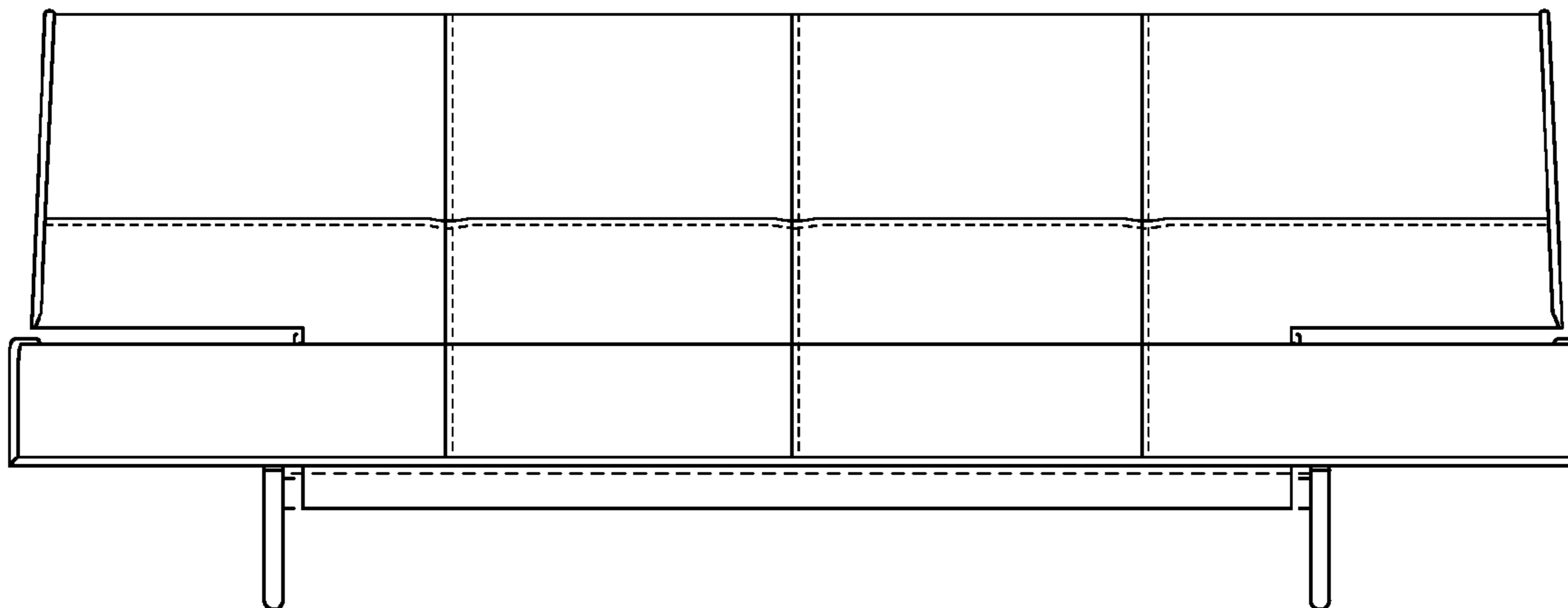
(57) **CLAIM**
The ornamental design for a sofa, as shown and described.

DESCRIPTION

FIG. 1 is a front view of the design for a sofa;
FIG. 2 is a rear view thereof;
FIG. 3 is a top view thereof;
FIG. 4 is a bottom view thereof;
FIG. 5 is a left side view thereof;
FIG. 6 is a right side view thereof;
FIG. 7 is a right perspective view thereof;
FIG. 8 is a left perspective view thereof;
FIG. 9 is a right perspective view of the sofa in a partially reclined position;
FIG. 10 is a left perspective view of the sofa in a partially reclined position;
FIG. 11 is a right perspective view of the sofa in a fully reclined position; and,
FIG. 12 is a left perspective view of the sofa in a fully reclined position.
The dotted lines shown on the article represent topstitching. The broken line showing is included for the purpose of illustrating environment of the design and forms no part of the claimed design.

(56) **References Cited**
U.S. PATENT DOCUMENTS
D169,911 S 6/1953 Netzer
D170,088 S * 7/1953 Hoffman D6/381
D170,122 S * 8/1953 Joregensen D6/381
D171,368 S * 1/1954 Rothstein D6/381
D175,877 S 10/1955 Bartolucci
2,774,977 A * 12/1956 Mintz 5/12.1
2,979,122 A * 4/1961 Knoll 297/446.1
4,110,855 A 9/1978 Acker
4,292,698 A 10/1981 Acker
D269,057 S 5/1983 Schatz et al.
D272,968 S 3/1984 Fairaizen
D273,254 S 4/1984 Fairaizen
D291,167 S * 8/1987 Forbicini D6/381
5,137,332 A 8/1992 Gualtierotti et al.
D373,256 S * 9/1996 Lewis D6/381
D376,274 S * 12/1996 Lewis D6/381
D384,827 S * 10/1997 Hutton D6/334
D385,122 S * 10/1997 Hutton D6/381

1 Claim, 6 Drawing Sheets



US D652,226 S

Page 2

U.S. PATENT DOCUMENTS			
D498,075 S *	11/2004	Mourgue	D6/381
D526,803 S	8/2006	Lee	
D527,196 S	8/2006	Antonioni	
D534,007 S	12/2006	Nicoletti	
D553,867 S	10/2007	Williams et al.	
D566,980 S	4/2008	Mourgue	
D567,526 S	4/2008	Williams et al.	
D569,123 S	5/2008	Roos et al.	
D573,359 S	7/2008	Weiss	
D580,670 S	11/2008	Weiss	
D591,071 S *	4/2009	Weiss	D6/381
D591,970 S *	5/2009	Weiss	D6/381
D592,416 S *	5/2009	Weiss	D6/381
D603,618 S *	11/2009	Weiss	D6/381
D603,619 S *	11/2009	Weiss	D6/381
D604,957 S *	12/2009	Weiss	D6/381
D610,366 S *	2/2010	Kanthasamy	D6/381
D614,419 S *	4/2010	Andersen	D6/381
D615,315 S *	5/2010	Andersen	D6/375
D615,766 S *	5/2010	Andersen	D6/381
D616,214 S	5/2010	Andersen	
D617,571 S	6/2010	Andersen	
D618,007 S	6/2010	Andersen	
D622,517 S	8/2010	Tozier	
D623,869 S	9/2010	Andersen	
D628,402 S *	12/2010	Missoni	D6/381

* cited by examiner

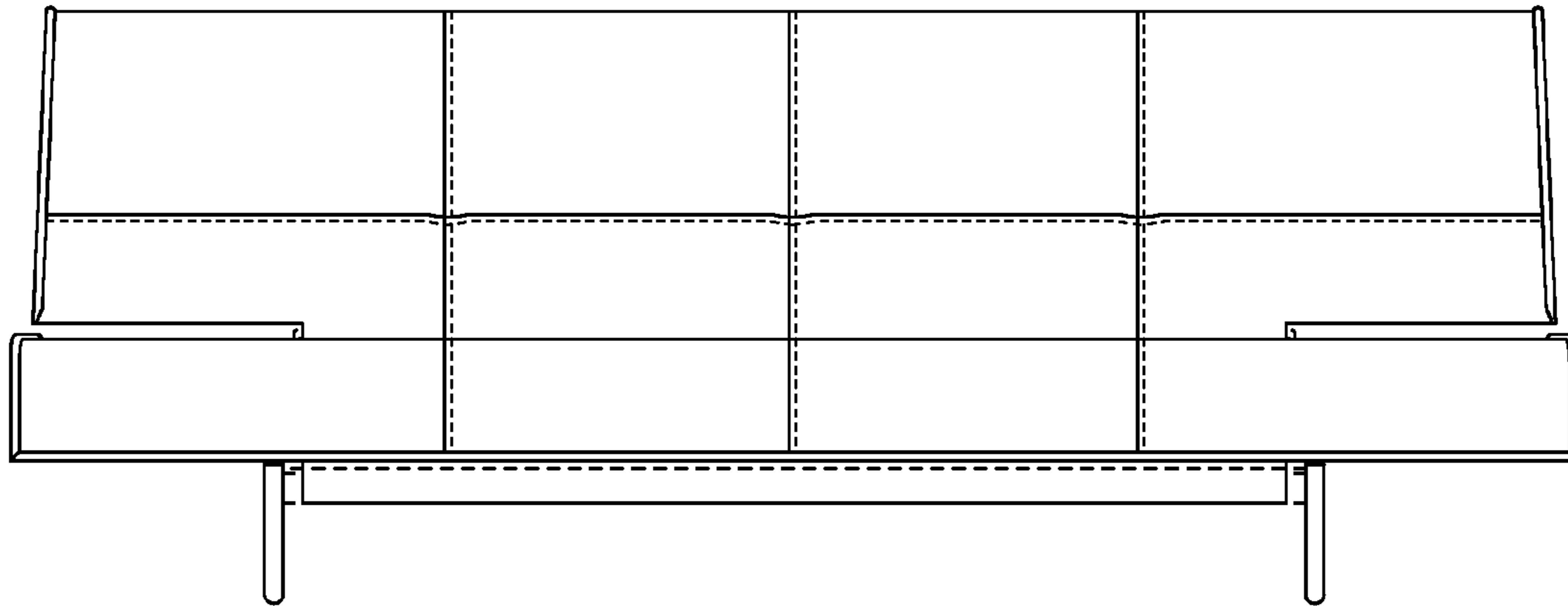


FIG. 1

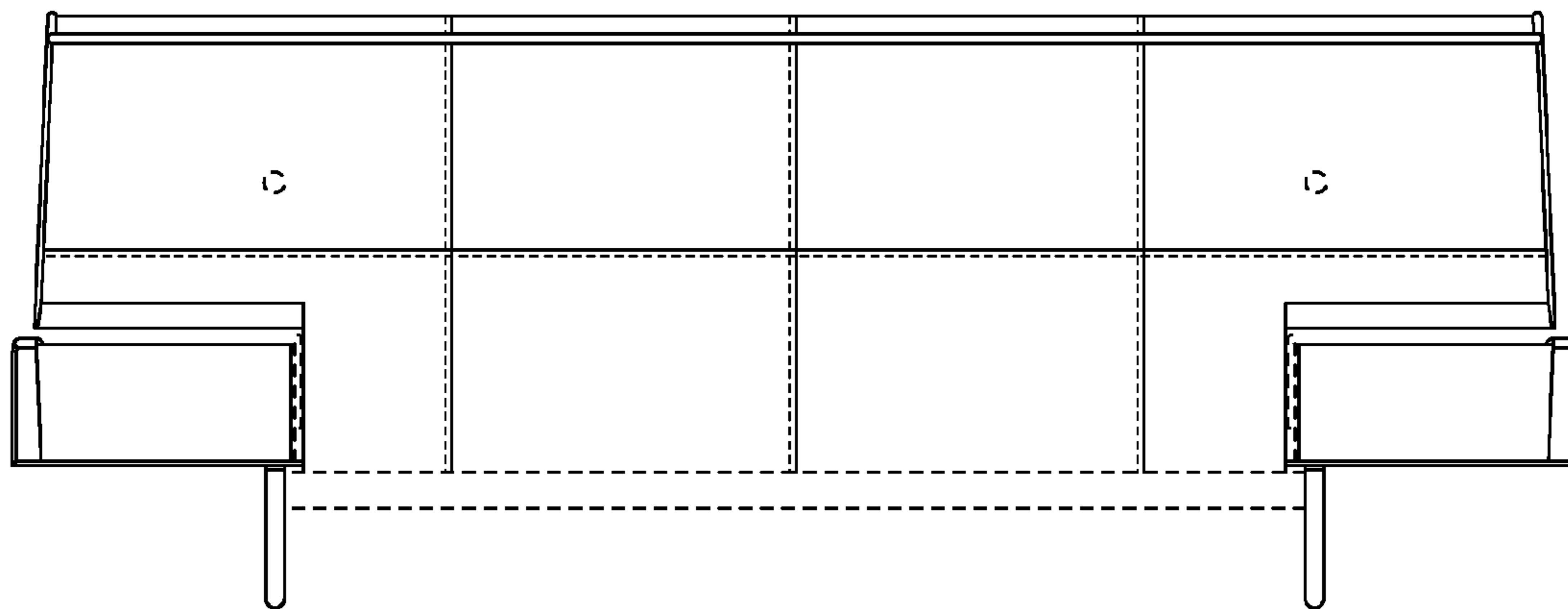


FIG. 2

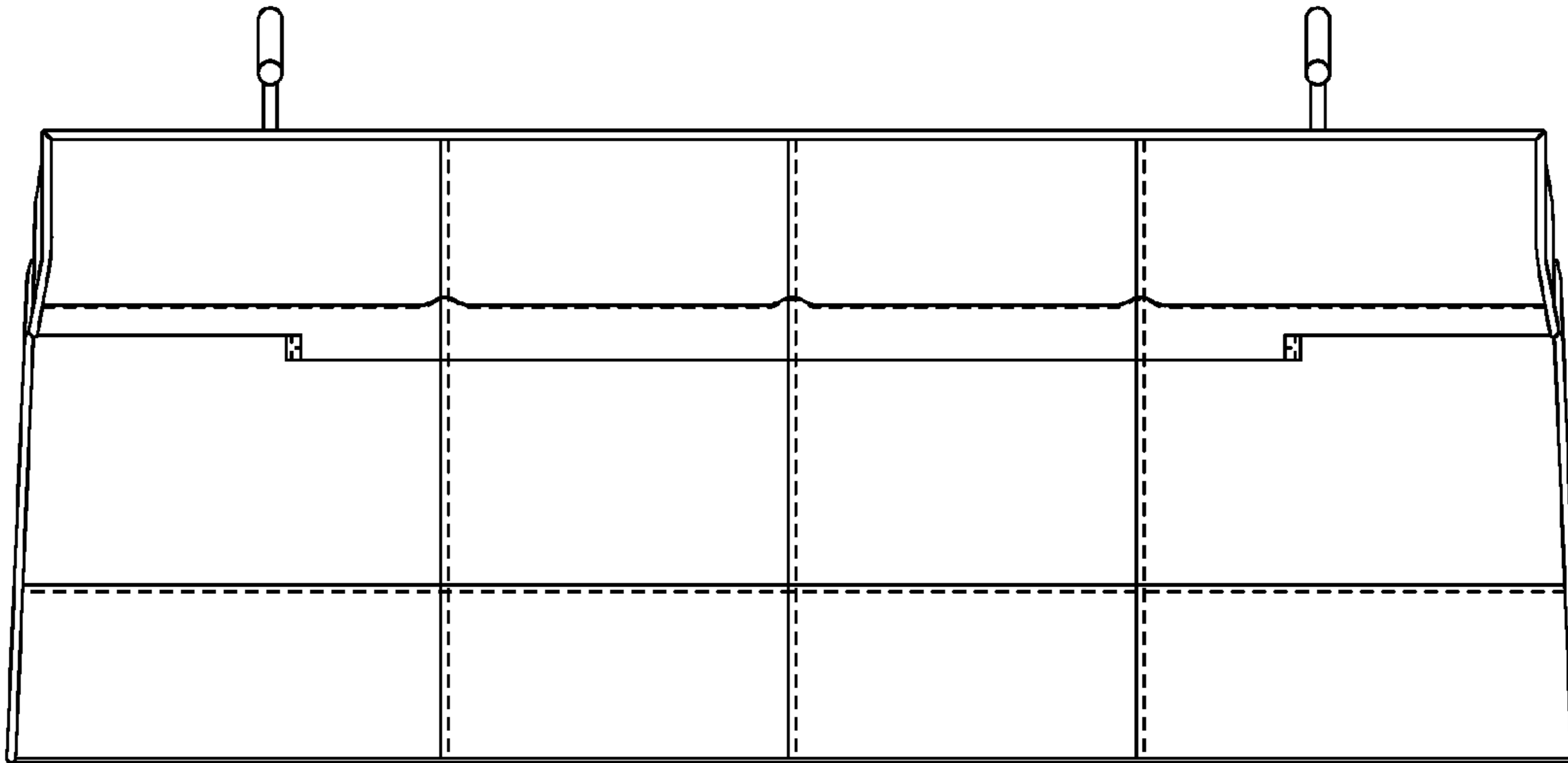


FIG. 3

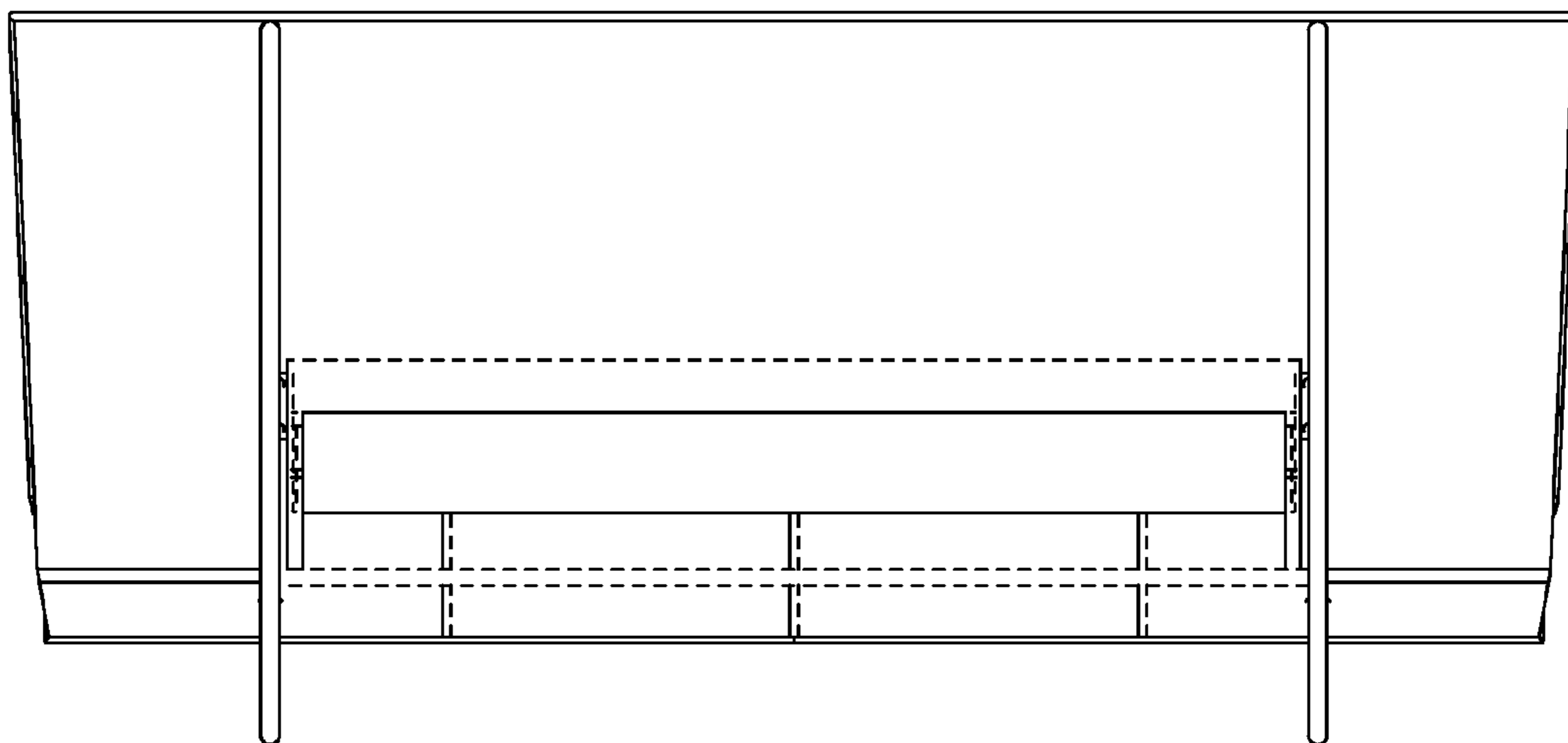


FIG. 4

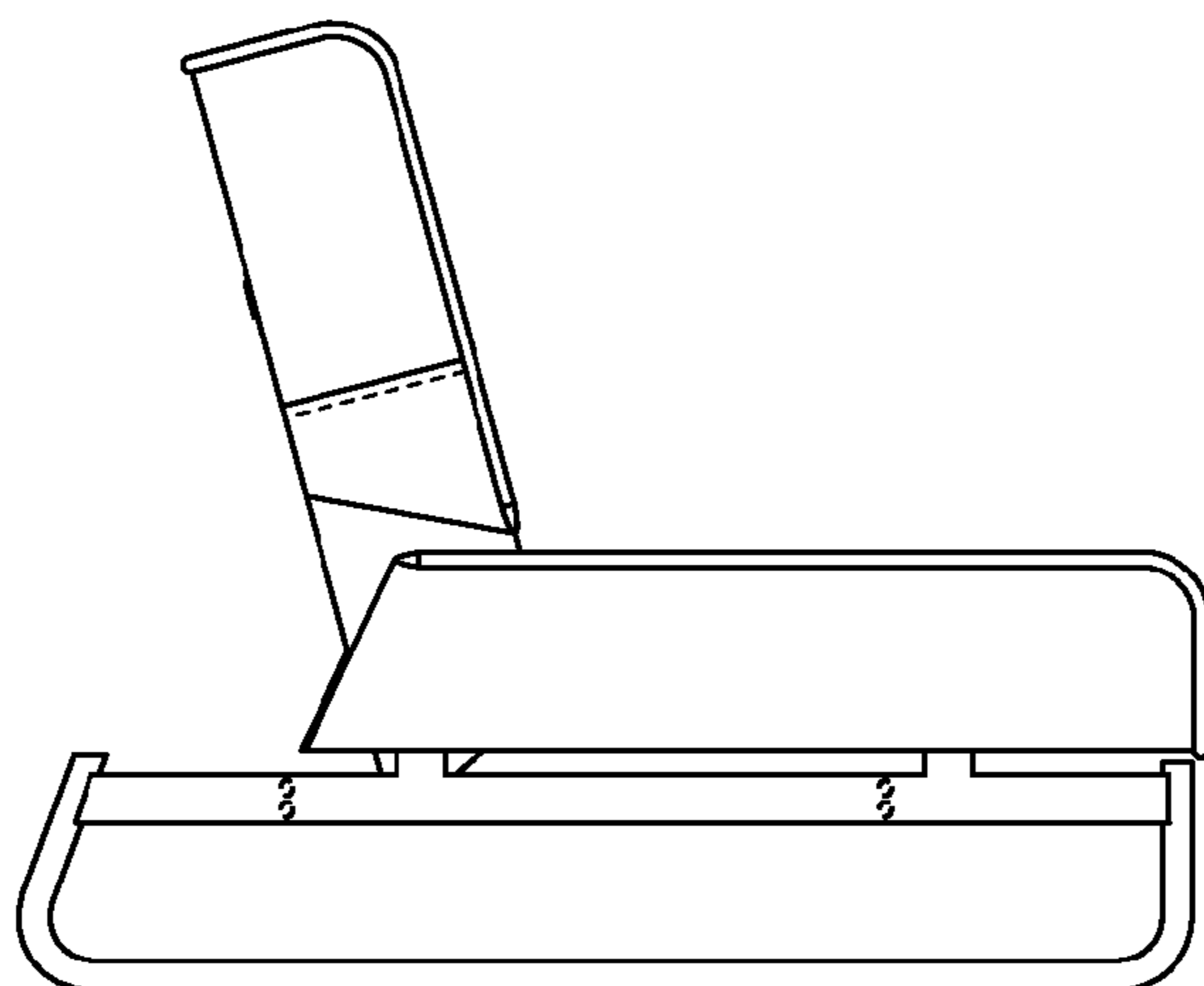


FIG. 5

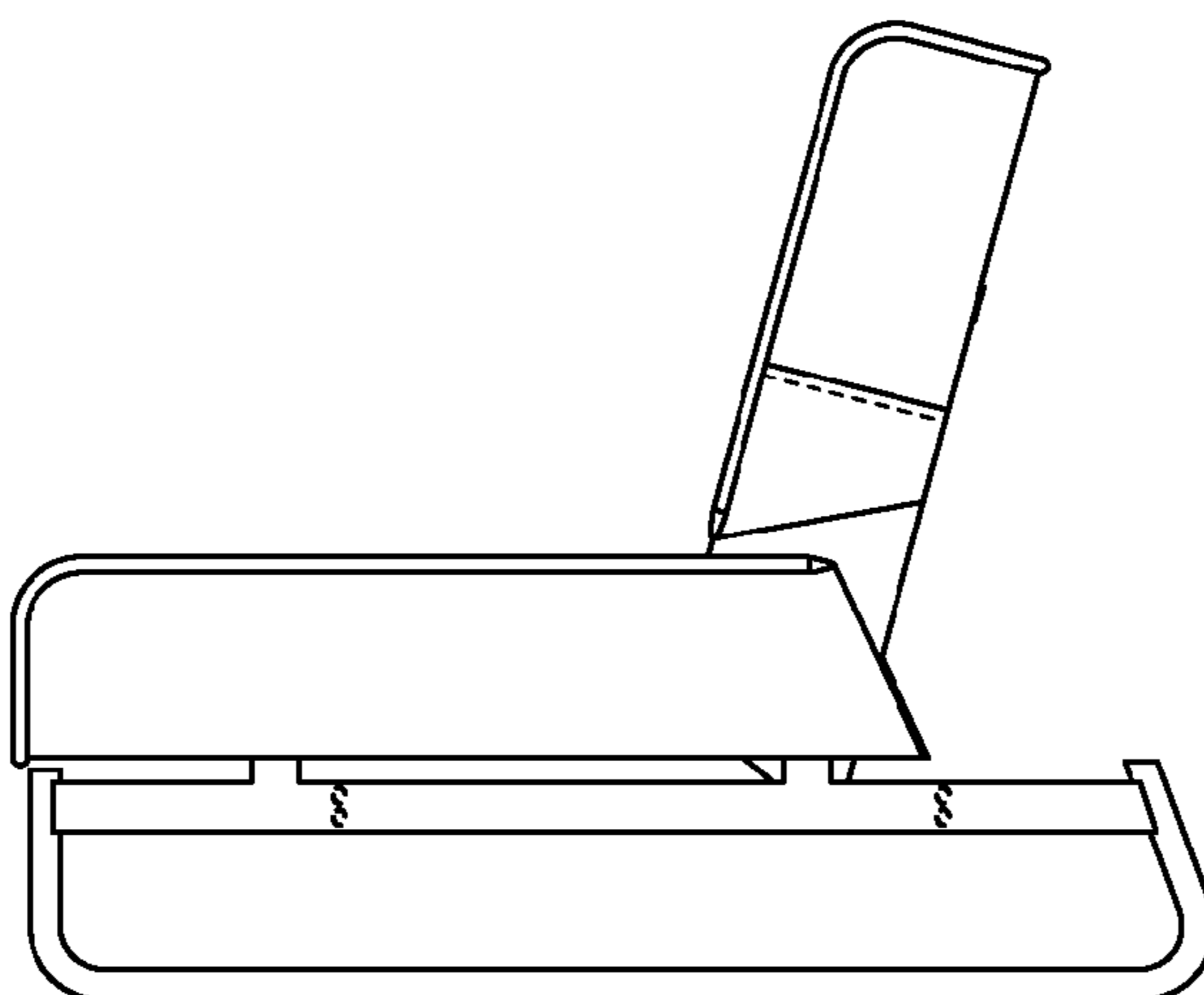


FIG. 6

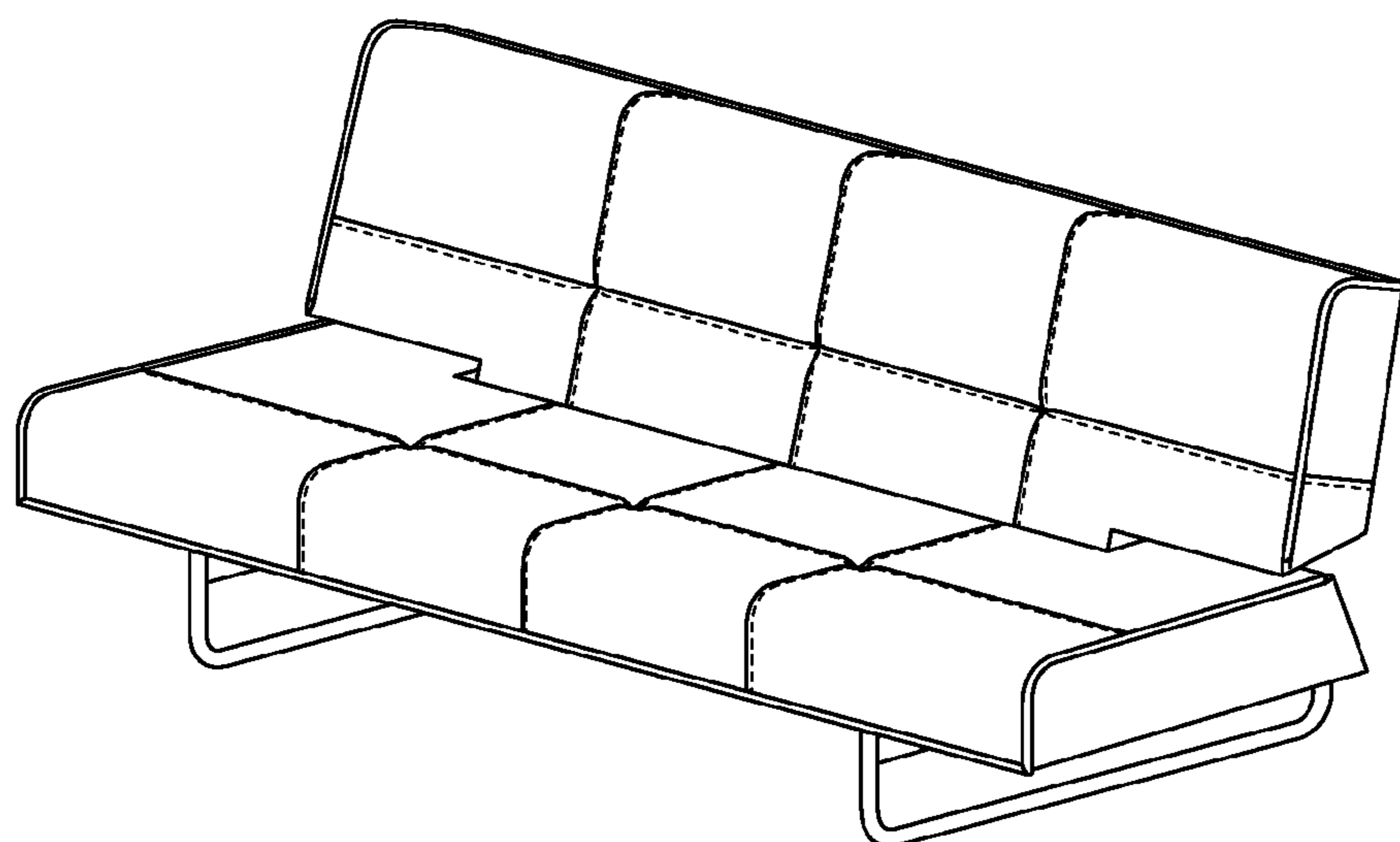


FIG. 7

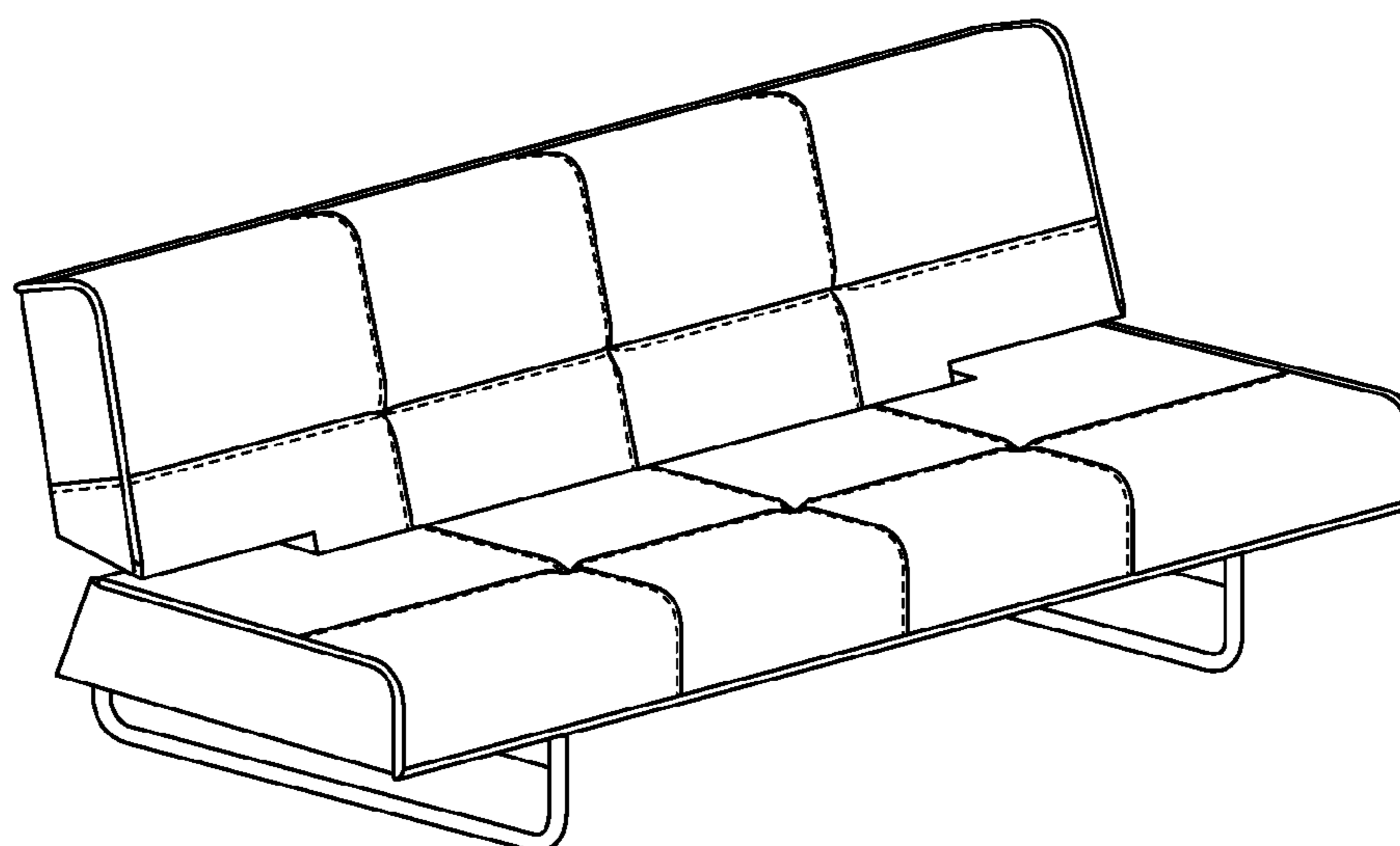


FIG. 8

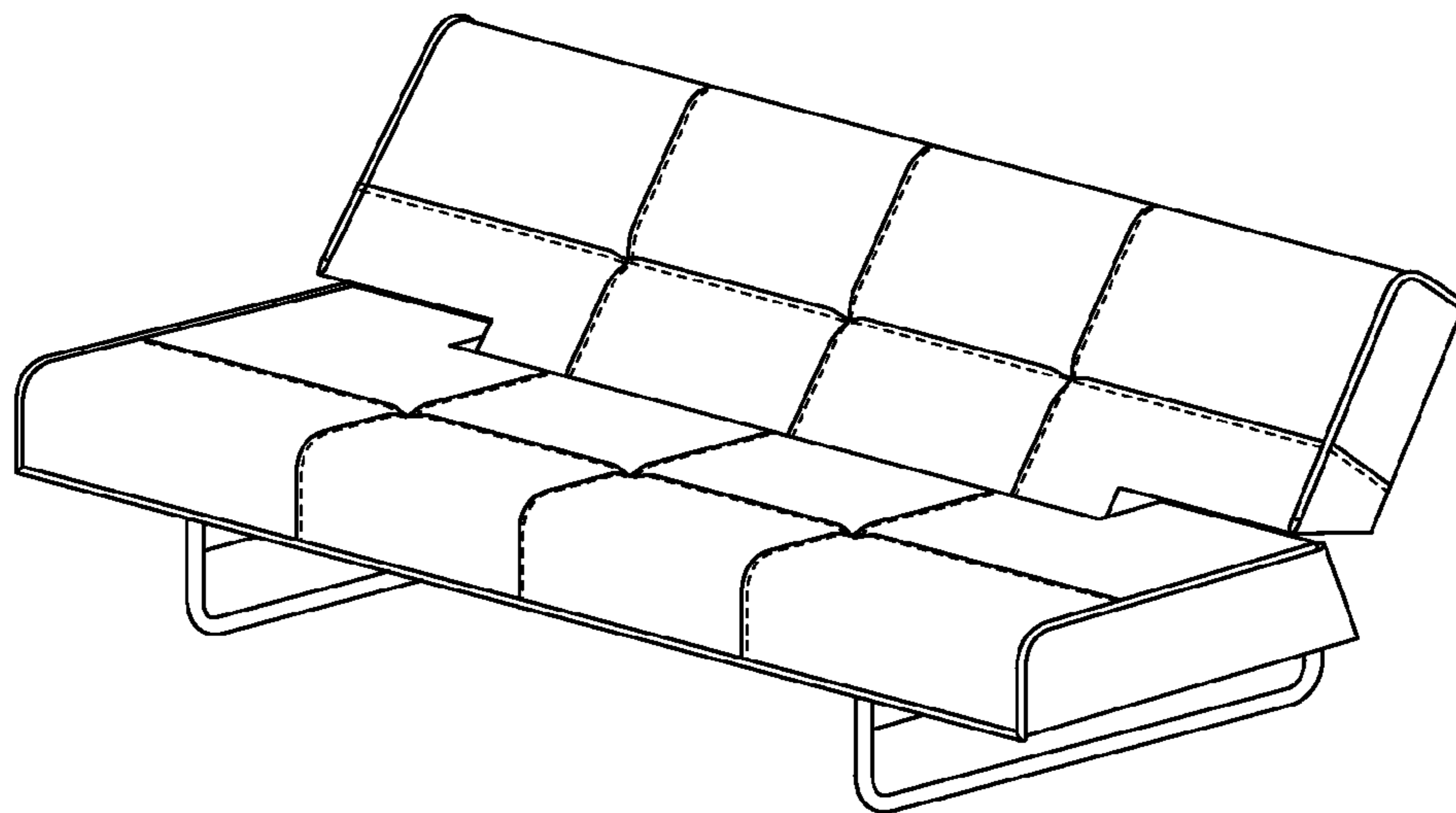


FIG. 9

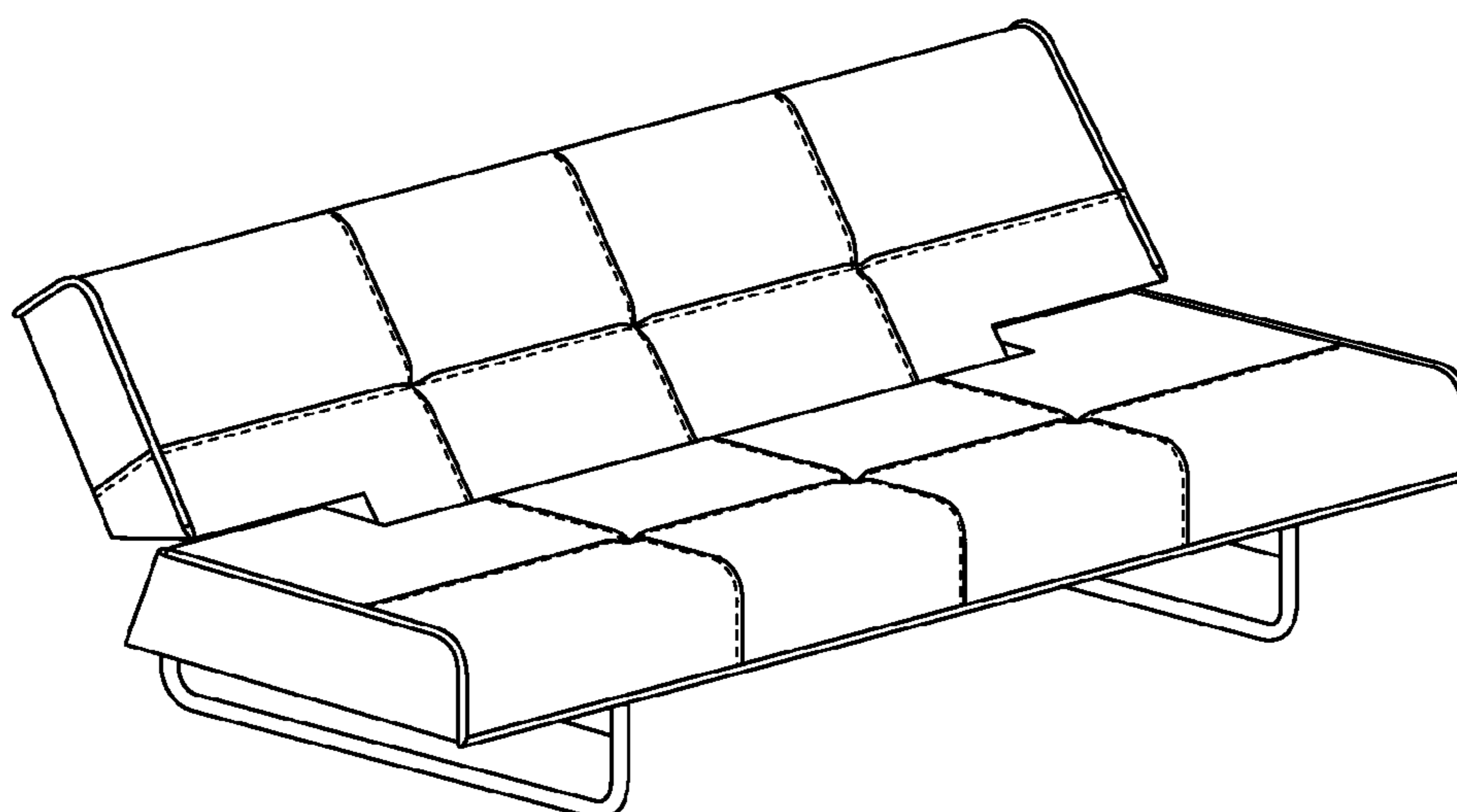


FIG. 10

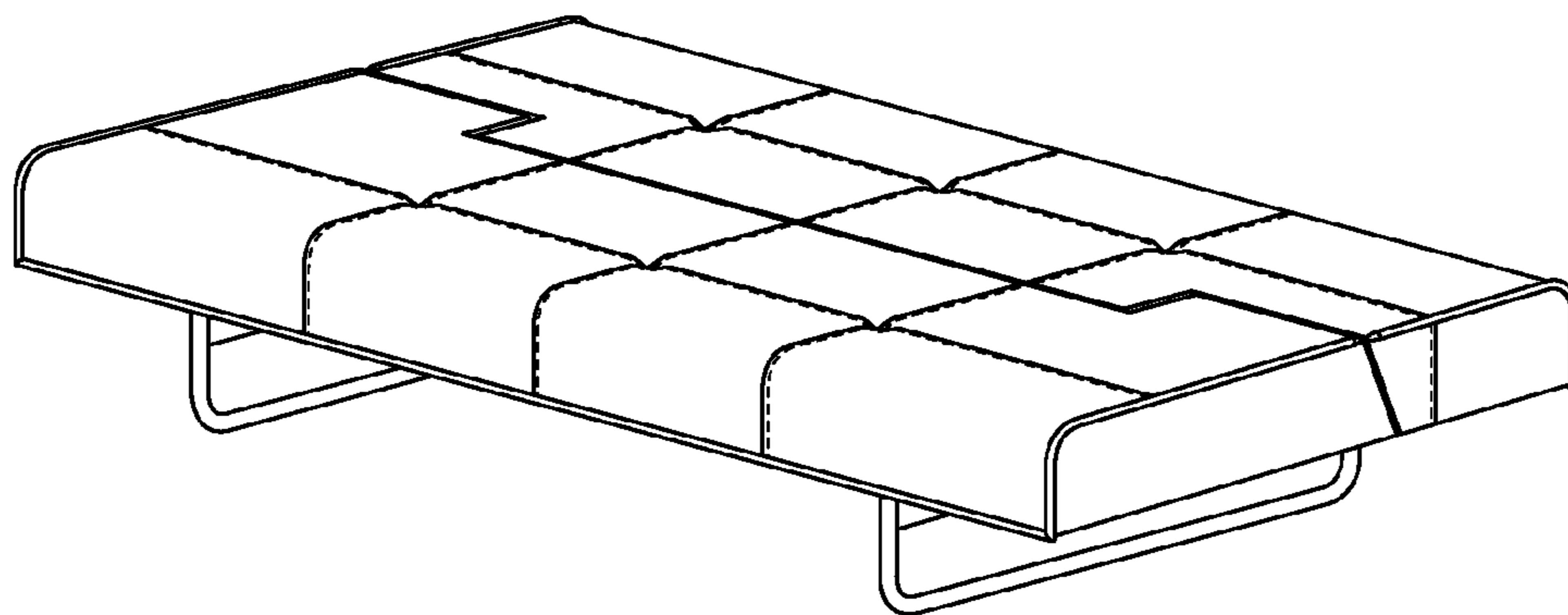


FIG. 11

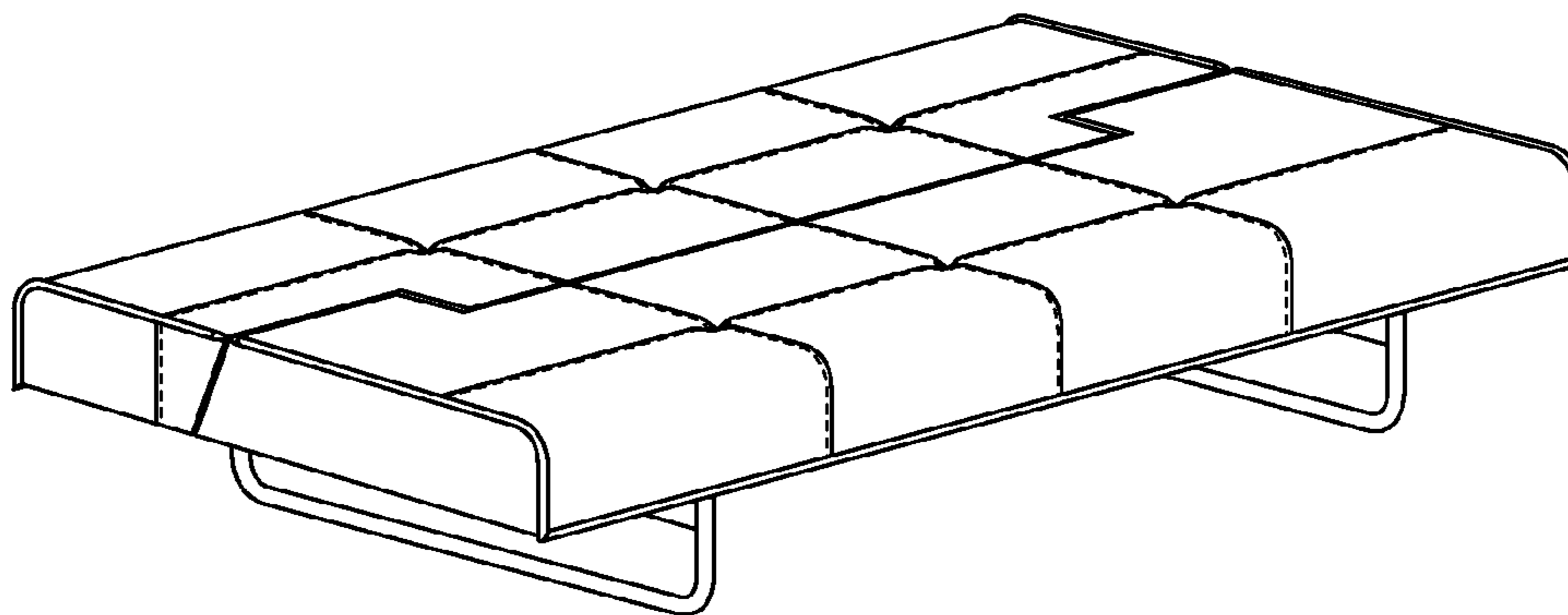


FIG. 12