



US00D652225S

(12) **United States Design Patent**
Andersen

(10) **Patent No.:** **US D652,225 S**
(45) **Date of Patent:** **** Jan. 17, 2012**

(54) **SOFA**

(75) **Inventor:** **Per Weiss Andersen**, Randers (DK)

(73) **Assignee:** **Innovation U.S.A., Inc.**, Hanover, MD (US)

(**) **Term:** **14 Years**

(21) **Appl. No.:** **29/364,417**

(22) **Filed:** **Jun. 23, 2010**

(30) **Foreign Application Priority Data**

Feb. 5, 2010 (CN) 2010 3 0113086

(51) **LOC (9) Cl.** **06-01**

(52) **U.S. Cl.** **D6/373**

(58) **Field of Classification Search** D6/334-335,
D6/355, 361, 367-368, 370-375, 379-383,
D6/500-502; 297/445.1, 446.1, 448.1-448.2,
297/452.12, 452.48; 5/12.1-12.2, 45
See application file for complete search history.

(56) **References Cited**

U.S. PATENT DOCUMENTS

D169,911 S *	6/1953	Netzer	D6/381
D170,088 S	7/1953	Hoffman		
D170,122 S	8/1953	Jöregensen		
D171,368 S	1/1954	Rothstein		
D175,877 S *	10/1955	Bartolucci	D6/381
2,774,977 A	12/1956	Mintz		
2,979,122 A	4/1961	Knoll		
4,110,855 A *	9/1978	Acker	5/45
4,292,698 A *	10/1981	Acker	5/45
D269,057 S *	5/1983	Schatz et al.	D6/335
D272,968 S *	3/1984	Fairaizen	D6/381
D273,254 S *	4/1984	Fairaizen	D6/335
D291,167 S	8/1987	Forbicini		
5,137,332 A *	8/1992	Gualtierotti et al.	297/440.15
D373,256 S	9/1996	Lewis		
D376,274 S	12/1996	Lewis		
D384,827 S	10/1997	Hutton		
D385,122 S	10/1997	Hutton		

D443,989 S *	6/2001	Gomez	D6/335
D444,305 S	7/2001	Mourgue		
D446,962 S	8/2001	Mourgue		
D455,281 S *	4/2002	Andersen et al.	D6/381
D455,282 S *	4/2002	Andersen et al.	D6/381
D490,996 S *	6/2004	Weiss et al.	D6/381
D498,075 S	11/2004	Mourgue		

(Continued)

OTHER PUBLICATIONS

U.S. Appl. No. 29/364,420—Non-Final Office Action dated Feb. 15, 2011.

Primary Examiner — Elizabeth Albert
Assistant Examiner — Kelley Donnelly
(74) *Attorney, Agent, or Firm* — Miles & Stockbridge P.C.

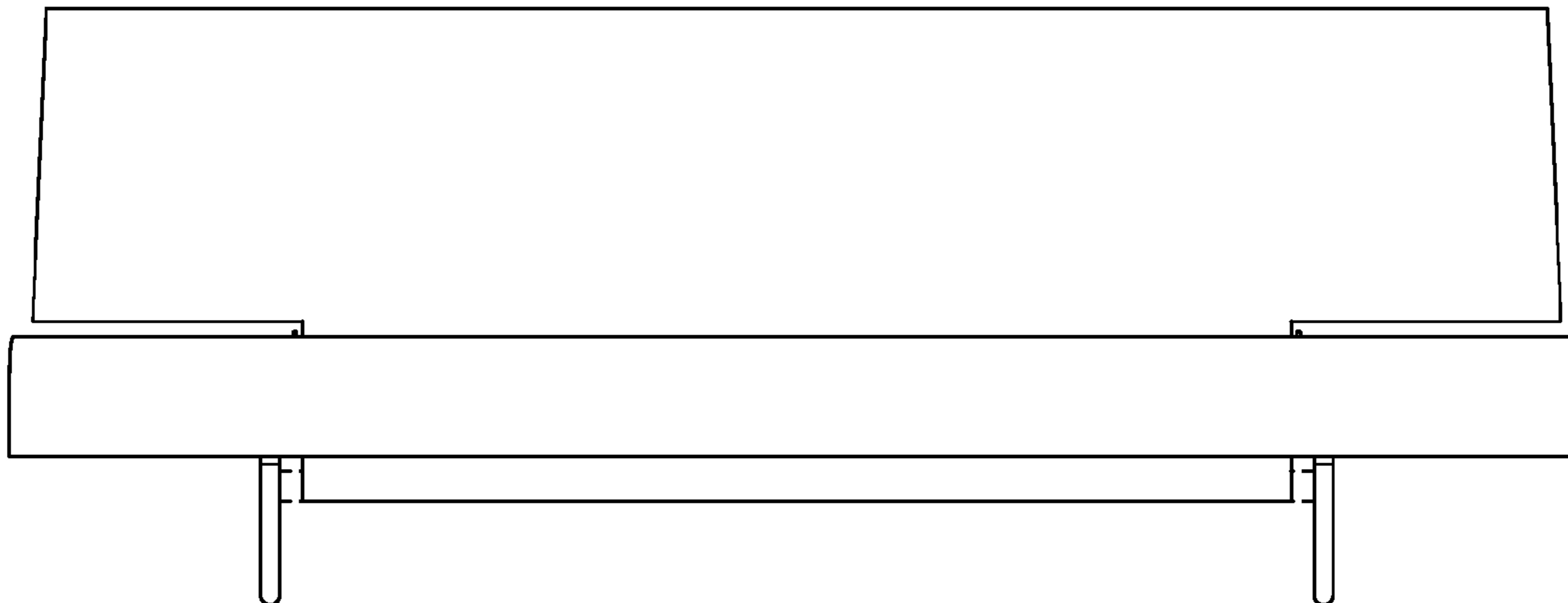
(57) **CLAIM**

The ornamental design for a sofa, as shown and described.

DESCRIPTION

FIG. 1 is a front view of the design for a sofa;
FIG. 2 is a rear view thereof;
FIG. 3 is a top view thereof;
FIG. 4 is a bottom view thereof;
FIG. 5 is a left side view thereof;
FIG. 6 is a right side view thereof;
FIG. 7 is a right perspective view thereof;
FIG. 8 is a left perspective view thereof;
FIG. 9 is a right perspective view of the sofa in a partially reclined position;
FIG. 10 is a left perspective view of the sofa in a partially reclined position;
FIG. 11 is a right perspective view of the sofa in a fully reclined position; and,
FIG. 12 is a left perspective view of the sofa in a fully reclined position.
The broken line showing is included for the purpose of illustrating environment of the design and forms no part of the claimed design.

1 Claim, 6 Drawing Sheets



US D652,225 S

Page 2

U.S. PATENT DOCUMENTS

D526,803 S *	8/2006	Lee	D6/381	D603,619 S	11/2009	Weiss	
D527,196 S *	8/2006	Antonioni	D6/381	D604,957 S	12/2009	Weiss	
D534,007 S *	12/2006	Nicoletti	D6/381	D610,366 S	2/2010	Kanthasamy	
D553,867 S *	10/2007	Williams et al.	D6/335	D614,419 S	4/2010	Andersen	
D566,980 S *	4/2008	Mourgue	D6/381	D615,315 S	5/2010	Andersen	
D567,526 S *	4/2008	Williams et al.	D6/381	D615,766 S	5/2010	Andersen	
D569,123 S *	5/2008	Roos et al.	D6/381	D616,214 S *	5/2010	Andersen	D6/373
D573,359 S *	7/2008	Weiss	D6/335	D617,571 S *	6/2010	Andersen	D6/381
D580,670 S *	11/2008	Weiss	D6/361	D618,007 S *	6/2010	Andersen	D6/381
D591,071 S	4/2009	Weiss		D622,517 S *	8/2010	Tozier	D6/372
D591,970 S	5/2009	Weiss		D623,869 S *	9/2010	Andersen	D6/381
D592,416 S	5/2009	Weiss		D628,402 S	12/2010	Missoni	
D603,618 S	11/2009	Weiss					

* cited by examiner

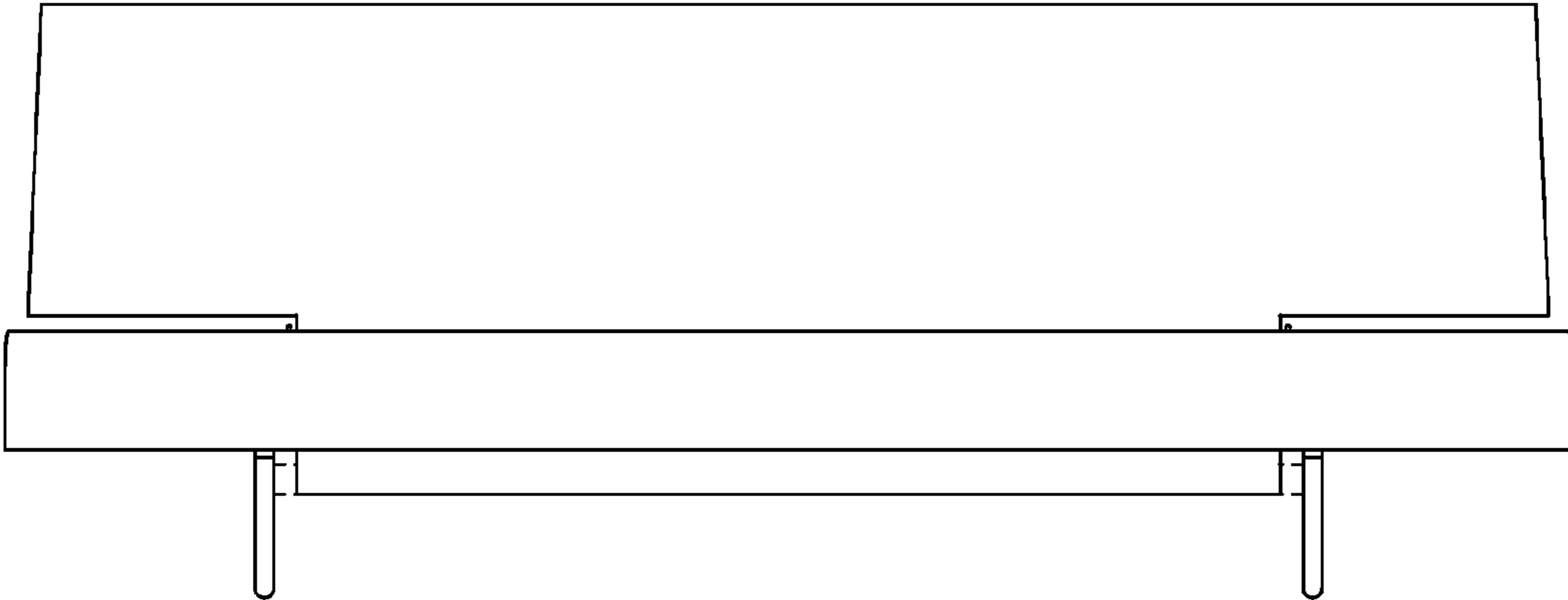


FIG. 1

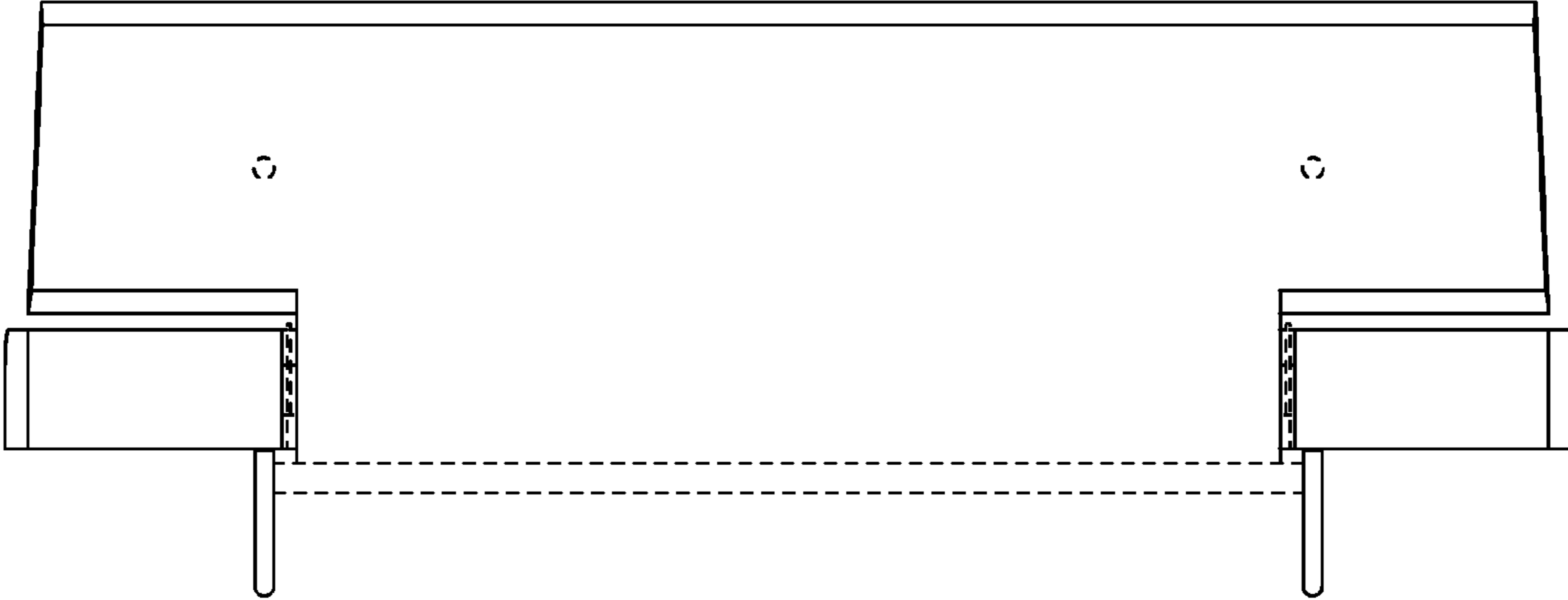


FIG. 2

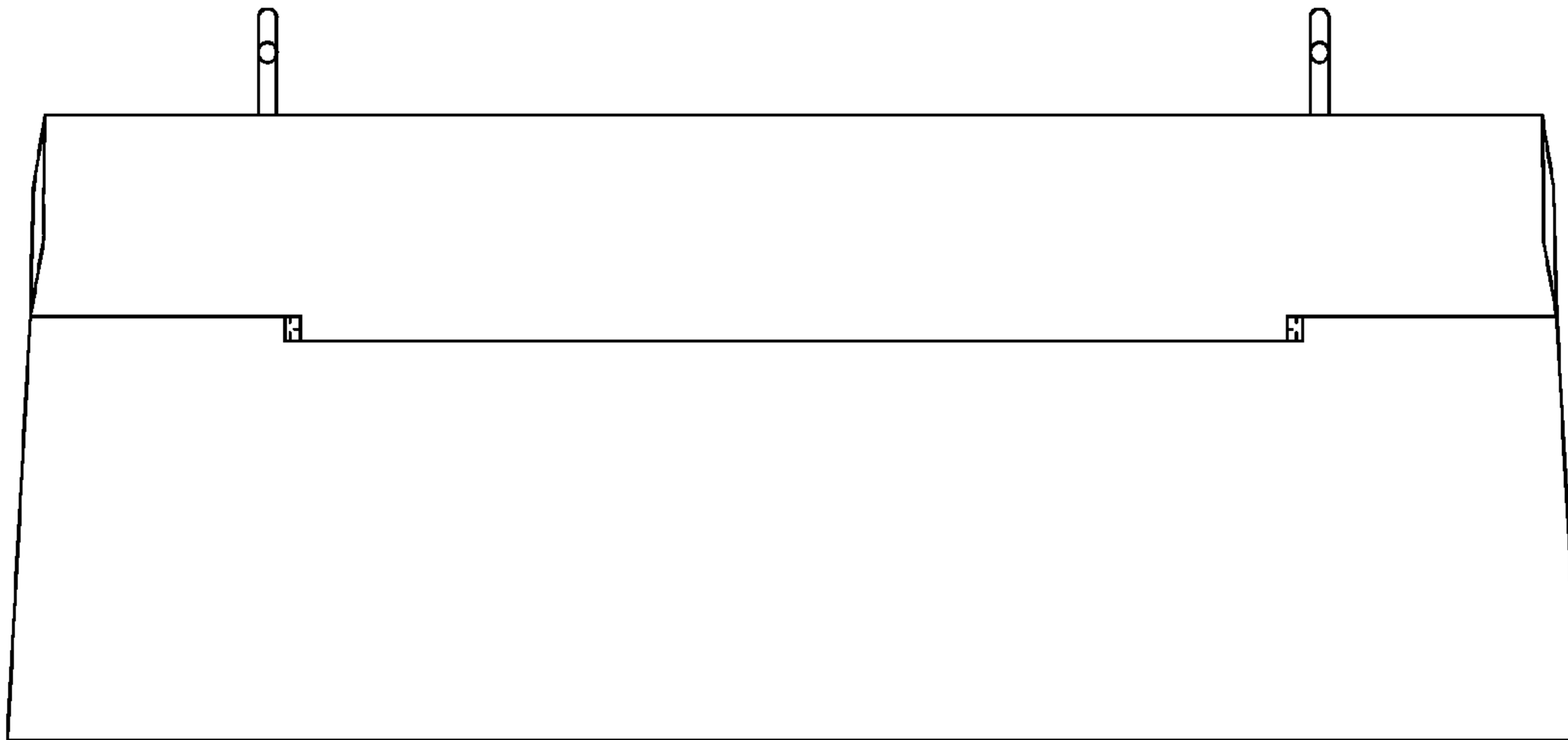


FIG. 3

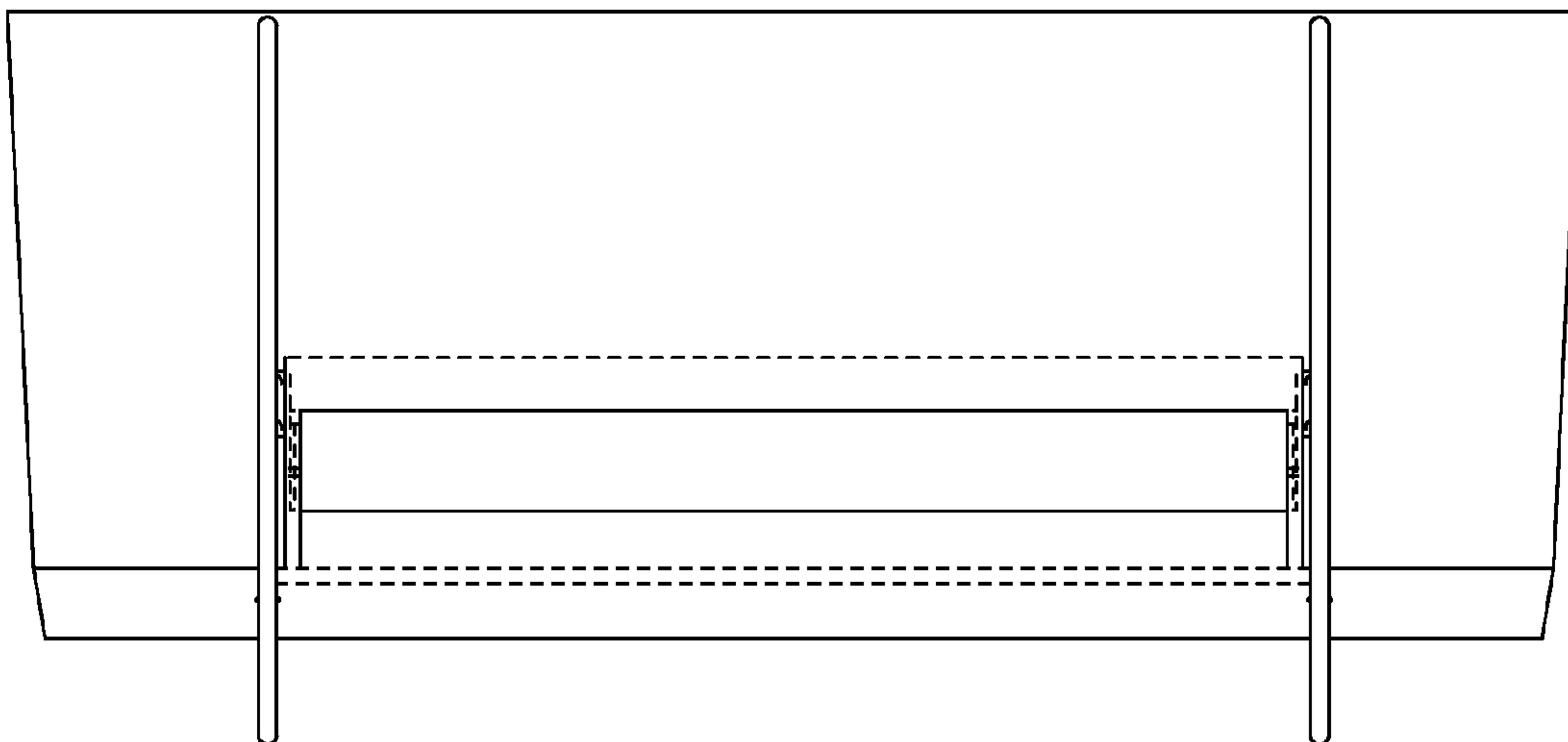


FIG. 4

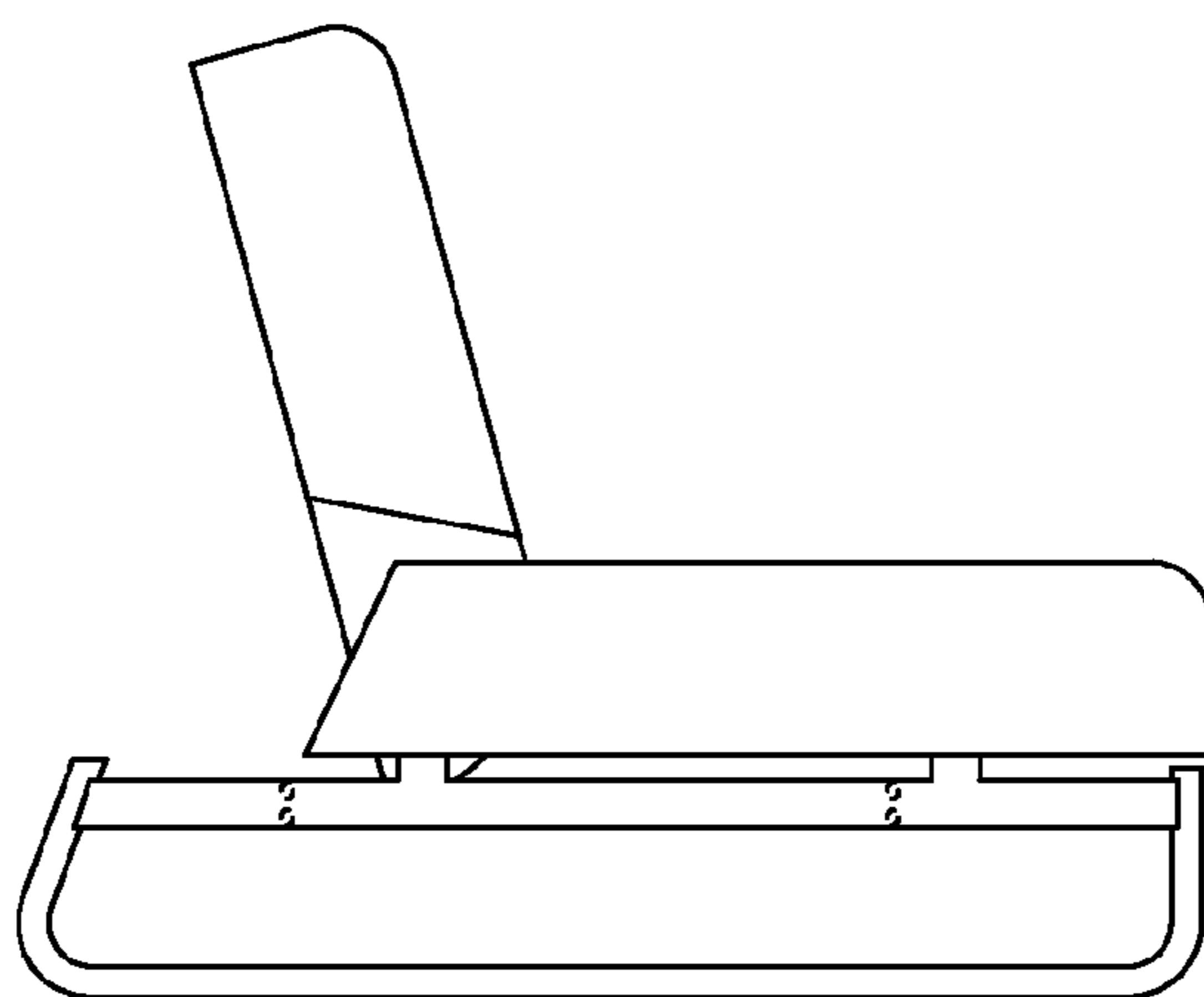


FIG. 5

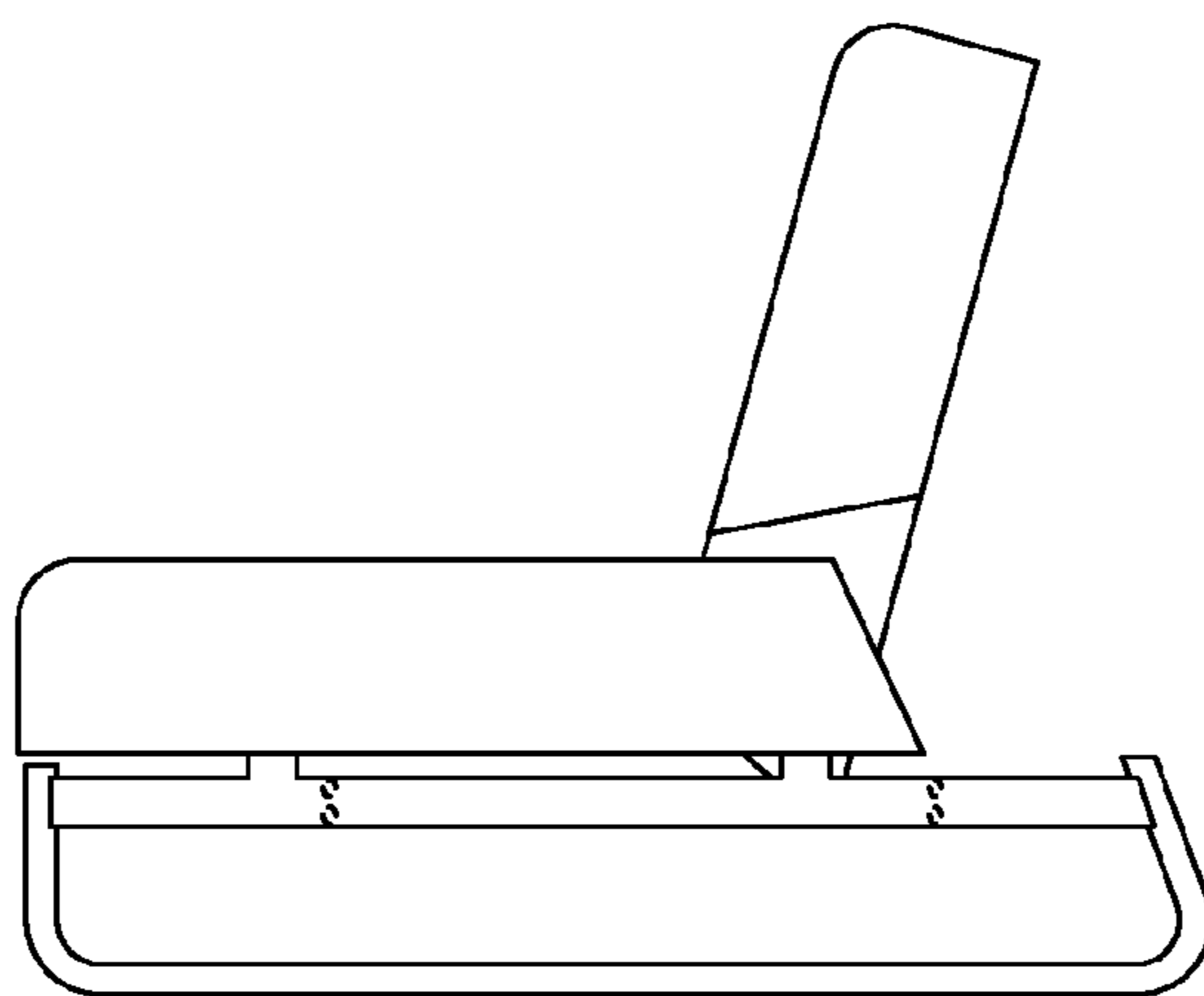


FIG. 6

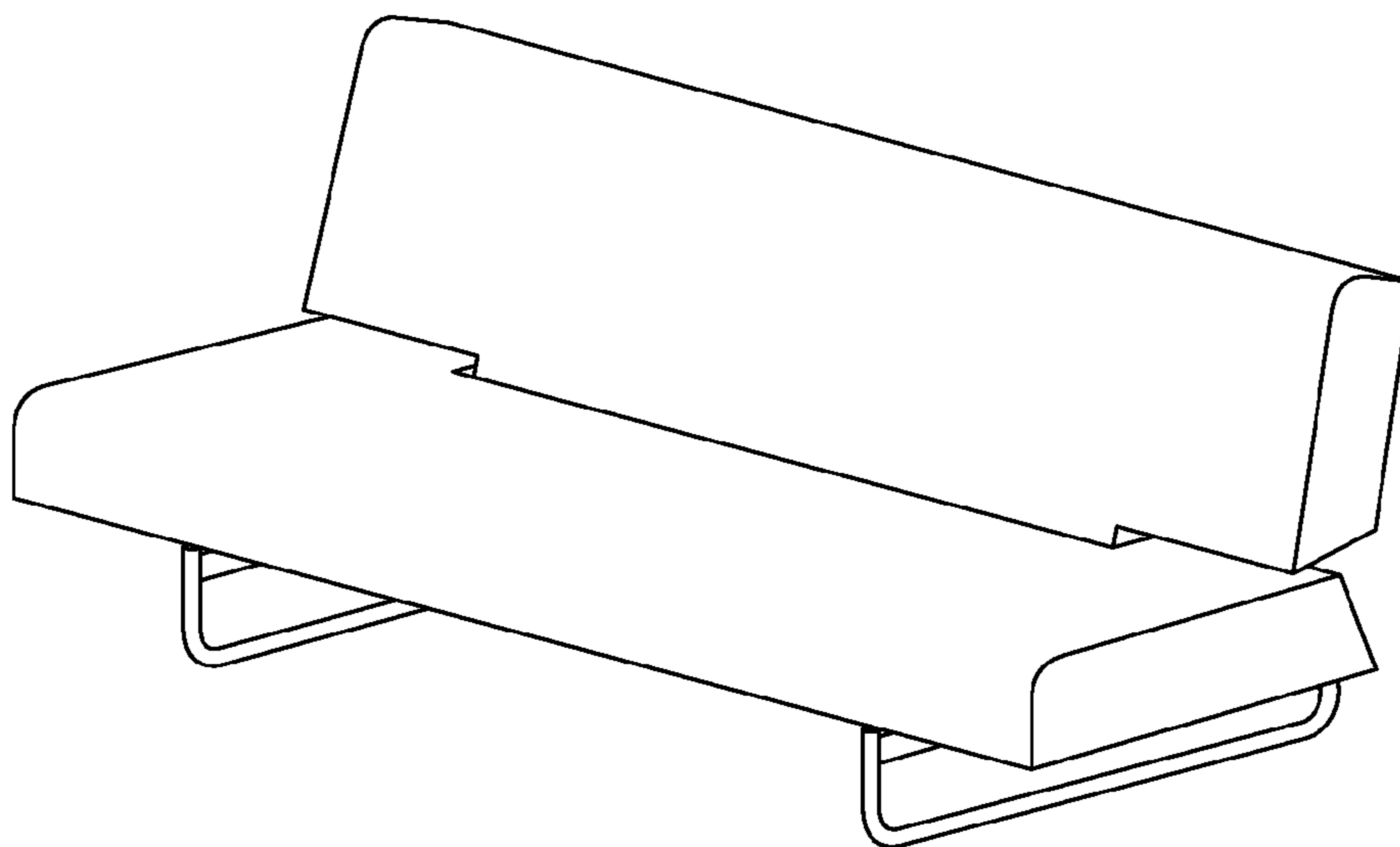


FIG. 7

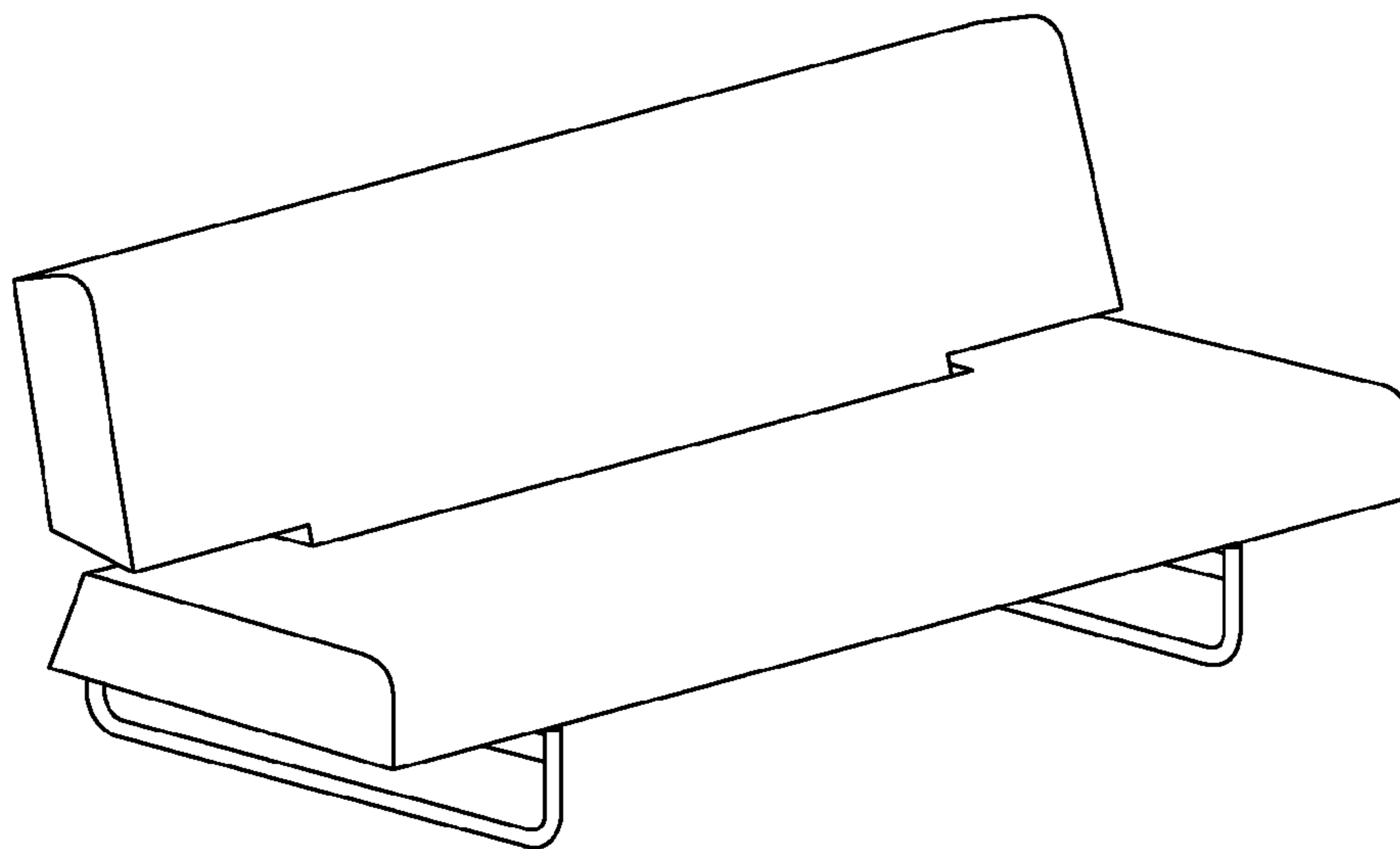


FIG. 8

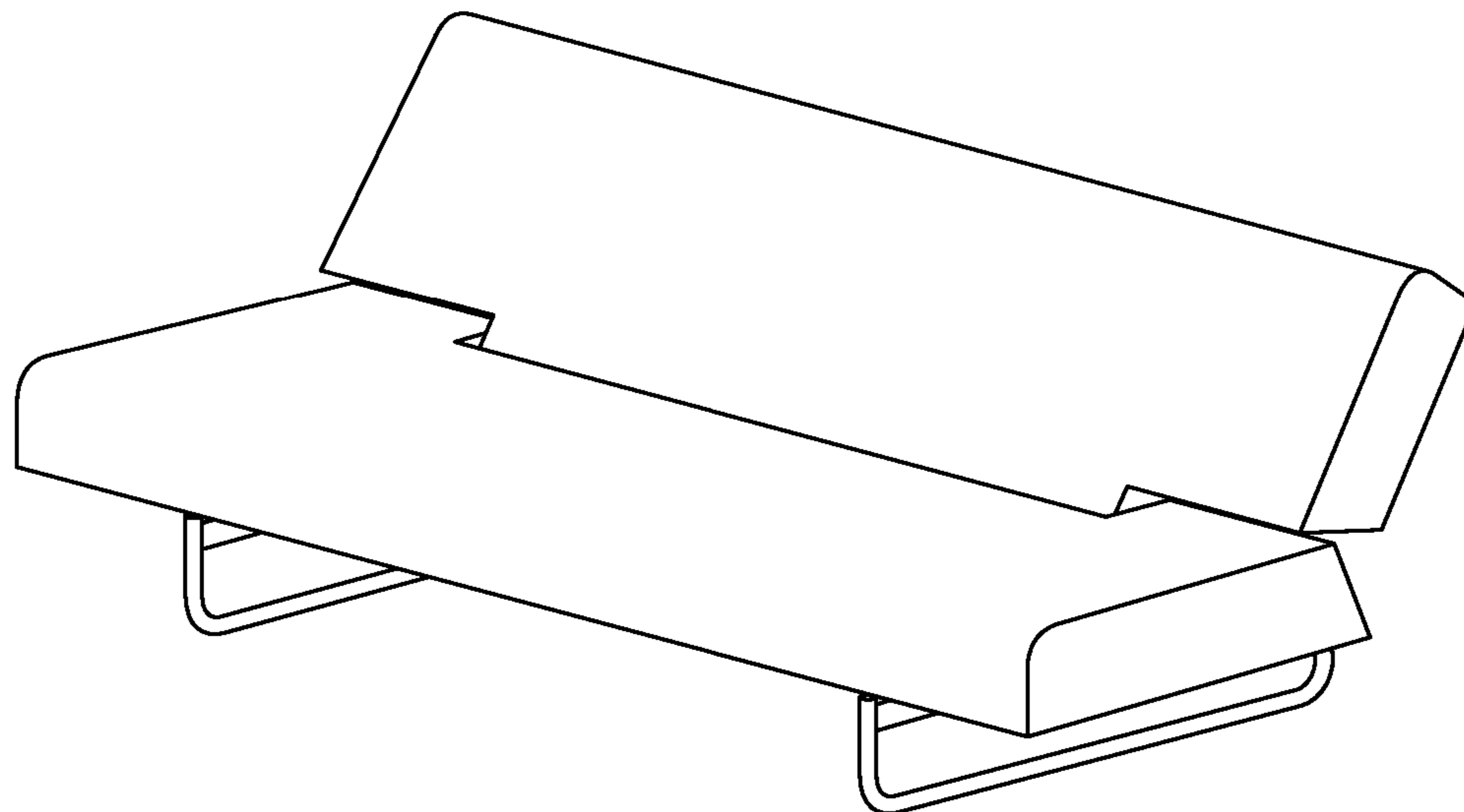


FIG. 9

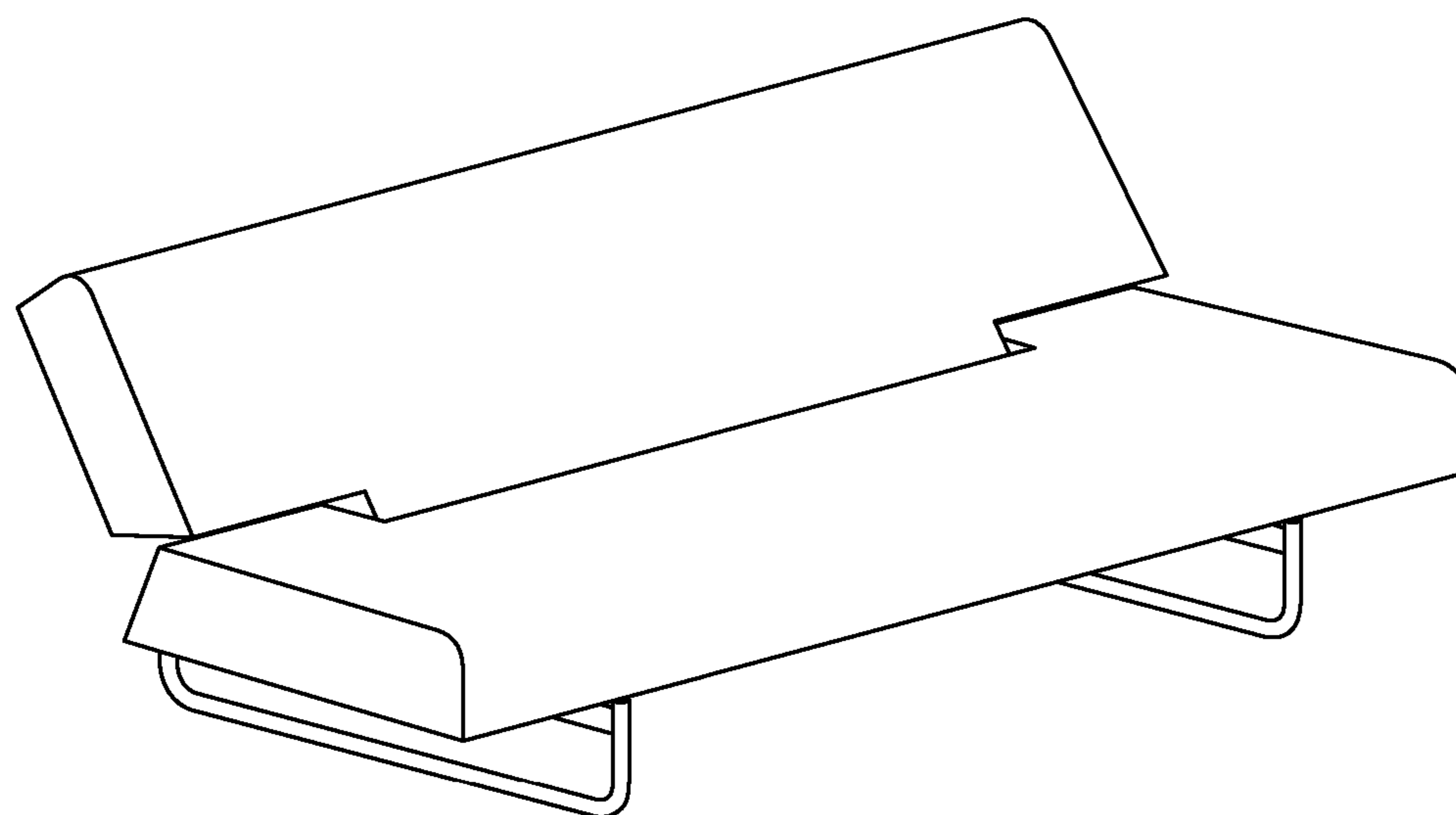


FIG. 10

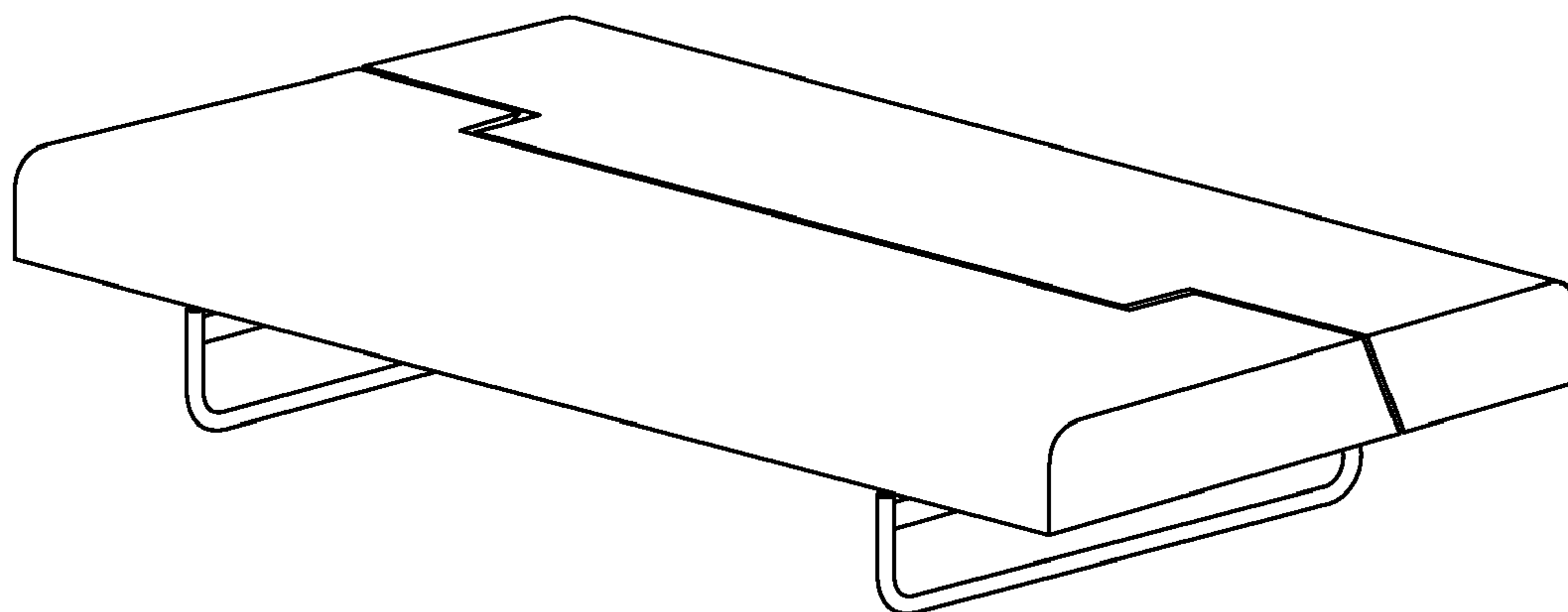


FIG. 11

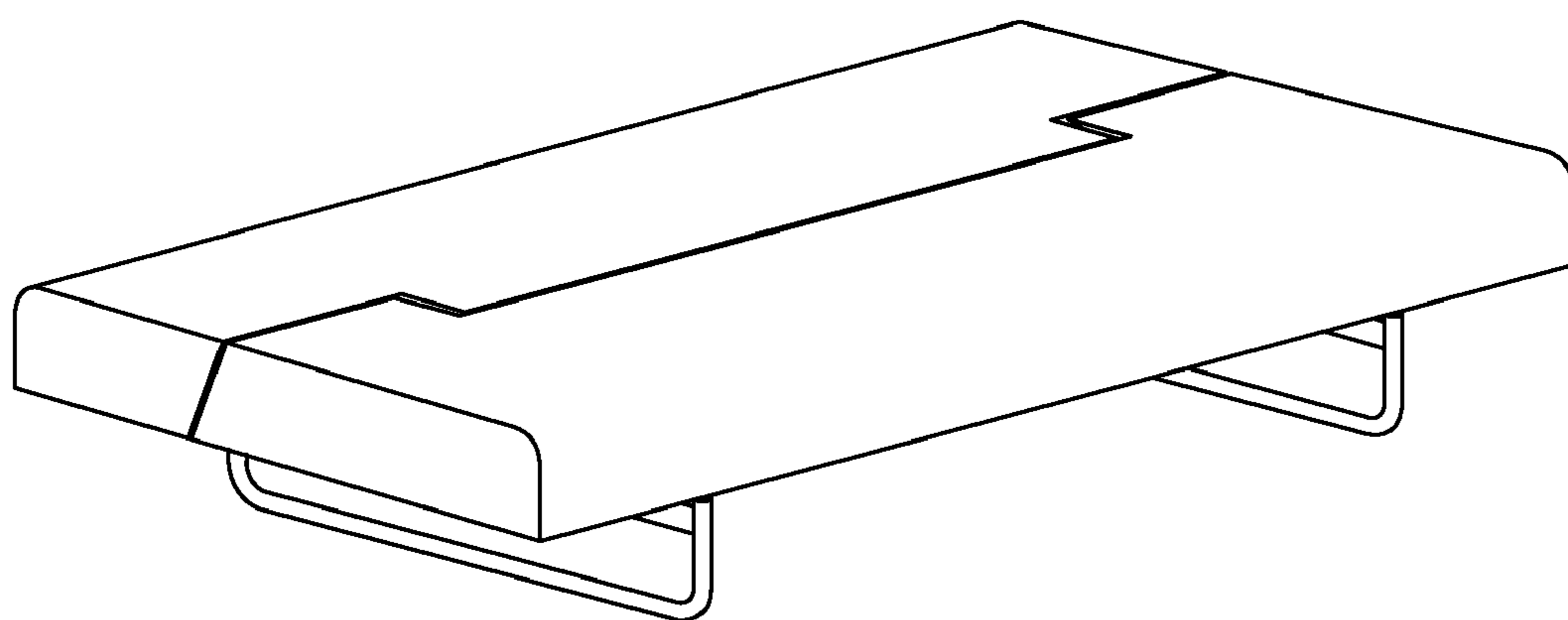


FIG. 12