



US00D652222S

(12) **United States Design Patent**
Edwards

(10) **Patent No.:** **US D652,222 S**

(45) **Date of Patent:** **** Jan. 17, 2012**

(54) **TOILET STOOL**

(76) Inventor: **Judy M. Edwards**, Saint George, UT
(US)

(**) Term: **14 Years**

(21) Appl. No.: **29/390,362**

(22) Filed: **Apr. 23, 2011**

(51) **LOC (9) Cl.** **06-01**

(52) **U.S. Cl.** **D6/349**

(58) **Field of Classification Search** D6/335,
D6/336, 337, 338, 339, 349, 350, 351, 352,
D6/353; 291/175, 451.2, 452.11, 452.12,
291/461, 462; 5/12.1, 12.2

See application file for complete search history.

(56) **References Cited**

U.S. PATENT DOCUMENTS

2,834,028	A *	5/1958	Stanley	4/254
D268,796	S *	5/1983	Kola	D6/349
4,713,846	A *	12/1987	Hodroski, Jr.	4/254
D297,789	S *	9/1988	Stepien	D6/349
D309,680	S *	8/1990	Gusty	D6/349
5,028,024	A *	7/1991	Welles	248/163.1
D398,678	S *	9/1998	Terry et al.	D23/309
D402,045	S *	12/1998	Lougee	D25/65
D508,559	S *	8/2005	Spiegel et al.	D23/366

D509,289	S *	9/2005	Palazzolo	D23/309
D629,222	S *	12/2010	Kay	D6/349
D629,627	S *	12/2010	Mylet	D6/349

* cited by examiner

Primary Examiner — Sandra Snapp

(74) *Attorney, Agent, or Firm* — QuickPatents, Inc.; Kevin Prince

(57) **CLAIM**

I claim the ornamental design for a toilet stool, as shown and described.

DESCRIPTION

FIG. 1 is a perspective view of a toilet stool, showing my new design;

FIG. 2 is a front elevational view thereof;

FIG. 3 is a rear elevational view thereof;

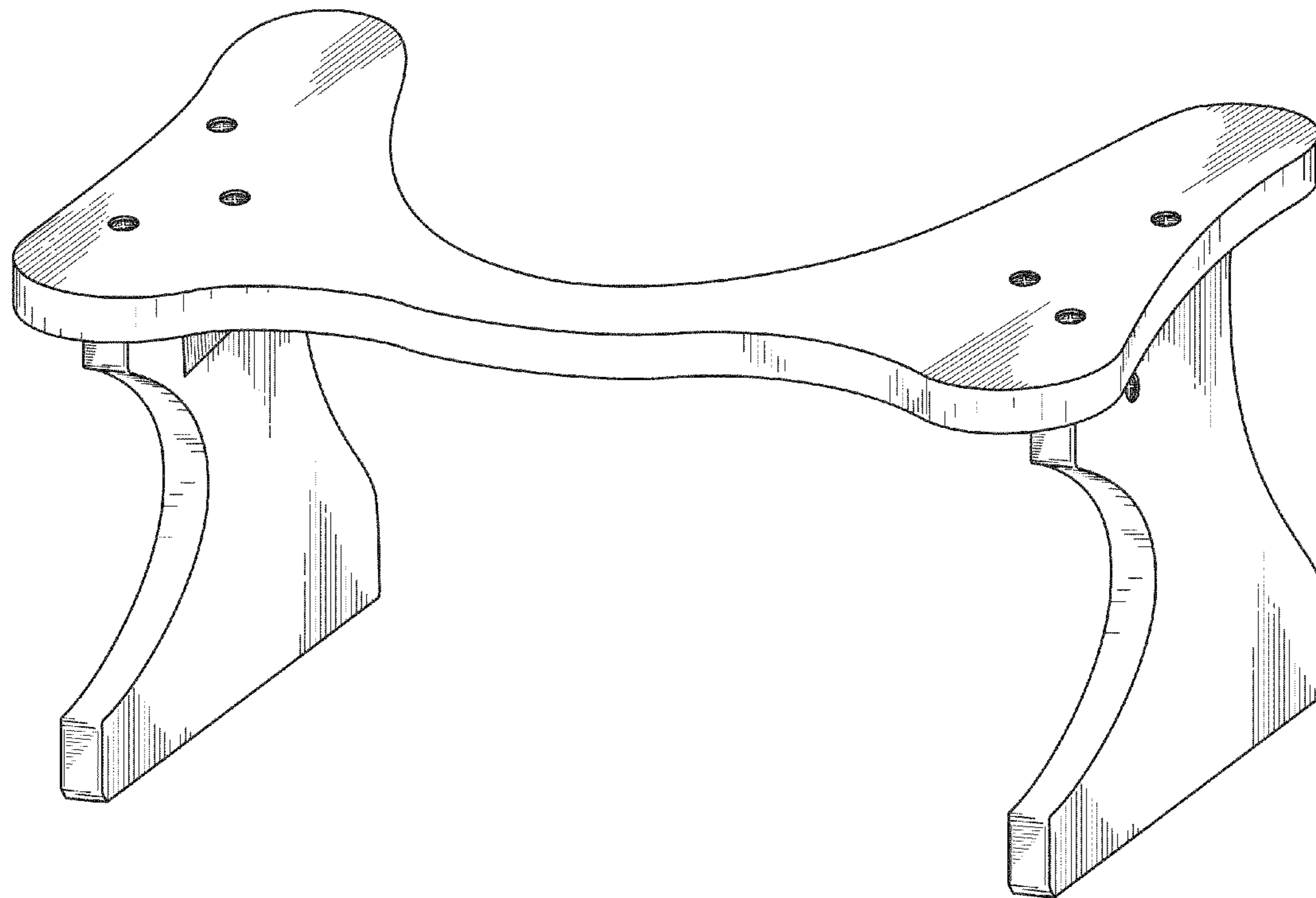
FIG. 4 is a left-side elevational view thereof, the right-side elevational view being a mirror image thereof;

FIG. 5 is a top plan view thereof; and,

FIG. 6 is a bottom plan view thereof.

The broken lines showing a toilet and a person in FIG. 4 depict environmental matter and form no part of the claimed design.

1 Claim, 4 Drawing Sheets



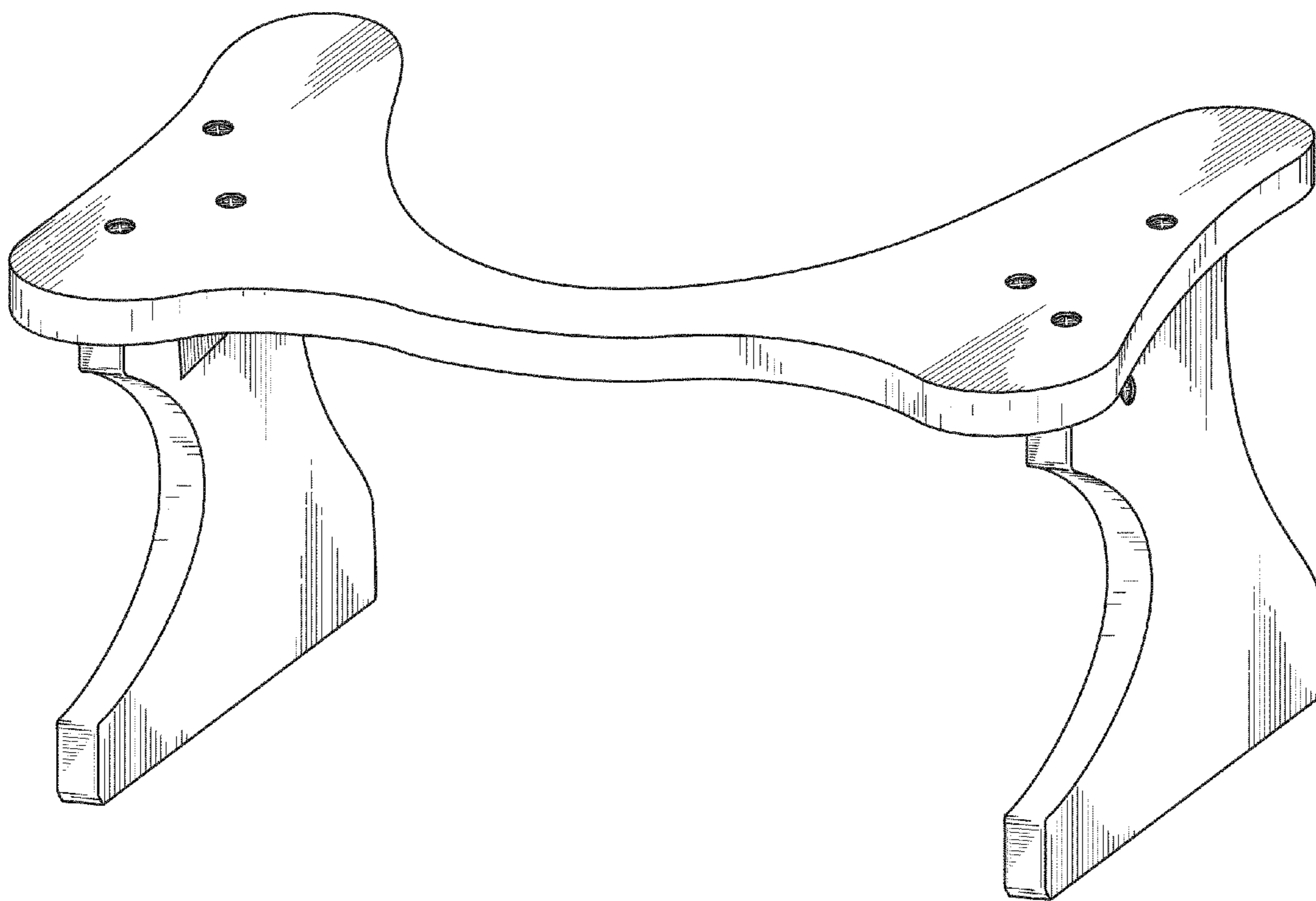


FIG. 1

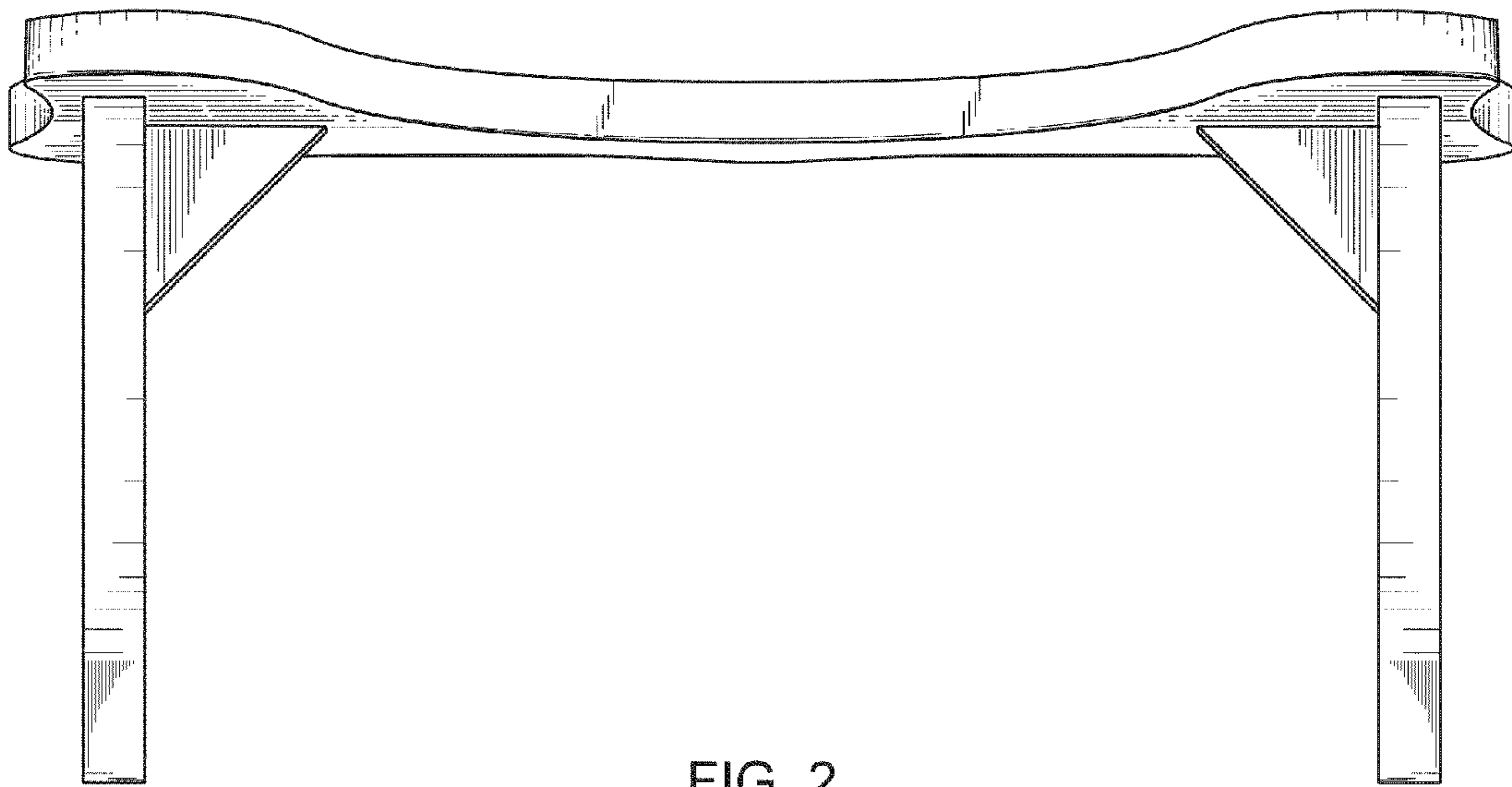


FIG. 2

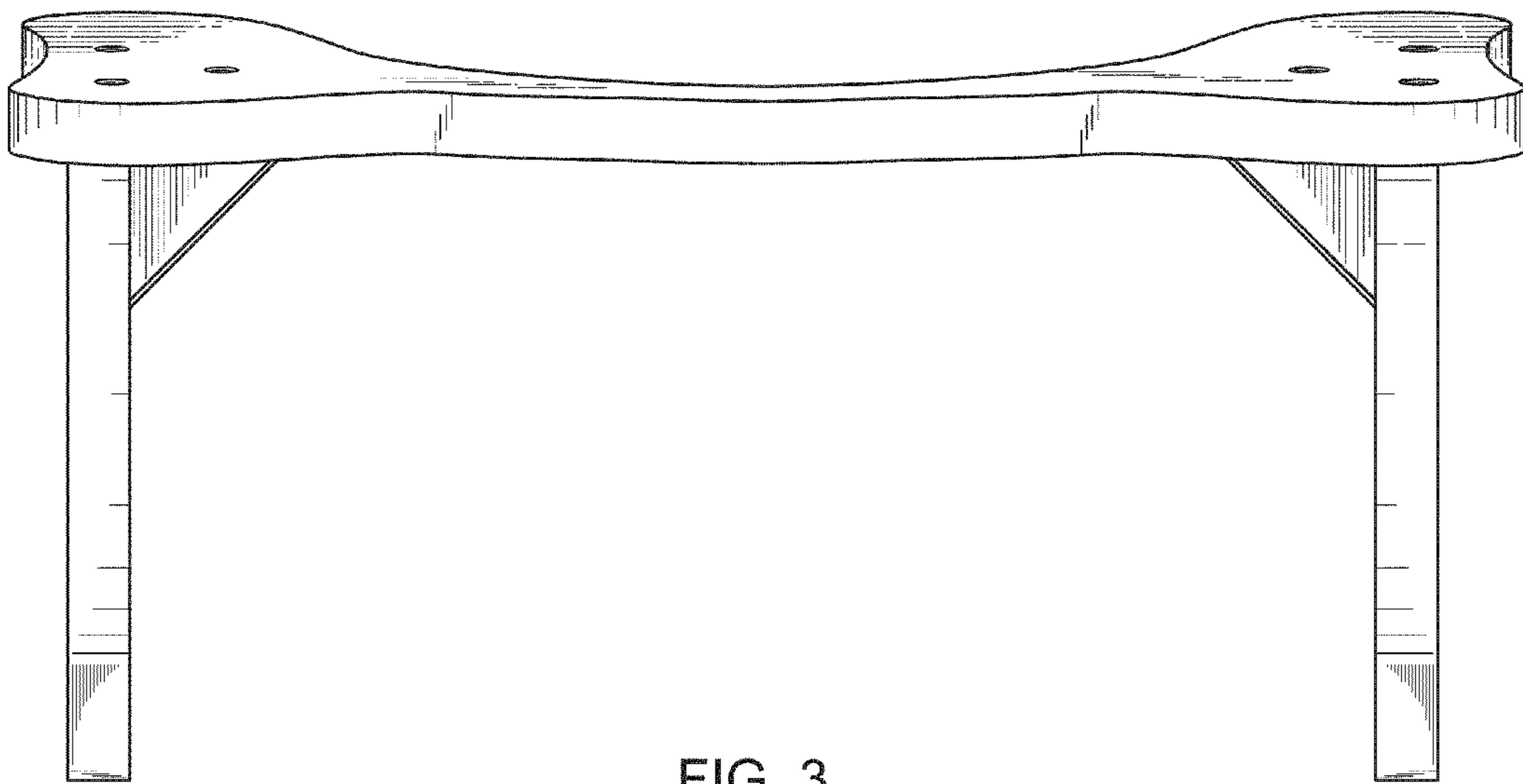


FIG. 3



FIG. 4

