



US00D652221S

(12) **United States Design Patent**  
**Lee**

(10) **Patent No.:** **US D652,221 S**  
(45) **Date of Patent:** **\*\* Jan. 17, 2012**

- (54) **BATH CHAIR FOR CHILDREN**
- (76) Inventor: **Patrick Lee**, New Taipei (TW)
- (\*\*) Term: **14 Years**
- (21) Appl. No.: **29/388,218**
- (22) Filed: **Mar. 25, 2011**
- (51) **LOC (9) Cl.** ..... **06-01**
- (52) **U.S. Cl.** ..... **D6/333**
- (58) **Field of Classification Search** ..... D6/333-335,  
D6/339, 491, 500-502, 344, 374; 4/572.1,  
4/571.1, 578.1, 586, 590; 297/183.1-183.4,  
297/184.13, 184.17, 250.1, 256.15, 467,  
297/487, 488; D21/419, 412  
See application file for complete search history.

- D572,913 S \* 7/2008 Paloian ..... D6/333
- D573,800 S \* 7/2008 Backstrom et al. .... D6/333
- D630,863 S \* 1/2011 Yeung ..... D6/333

\* cited by examiner

*Primary Examiner* — Caron D Veynar  
*Assistant Examiner* — Abraham Bahta  
(74) *Attorney, Agent, or Firm* — Rosenberg, Klein & Lee

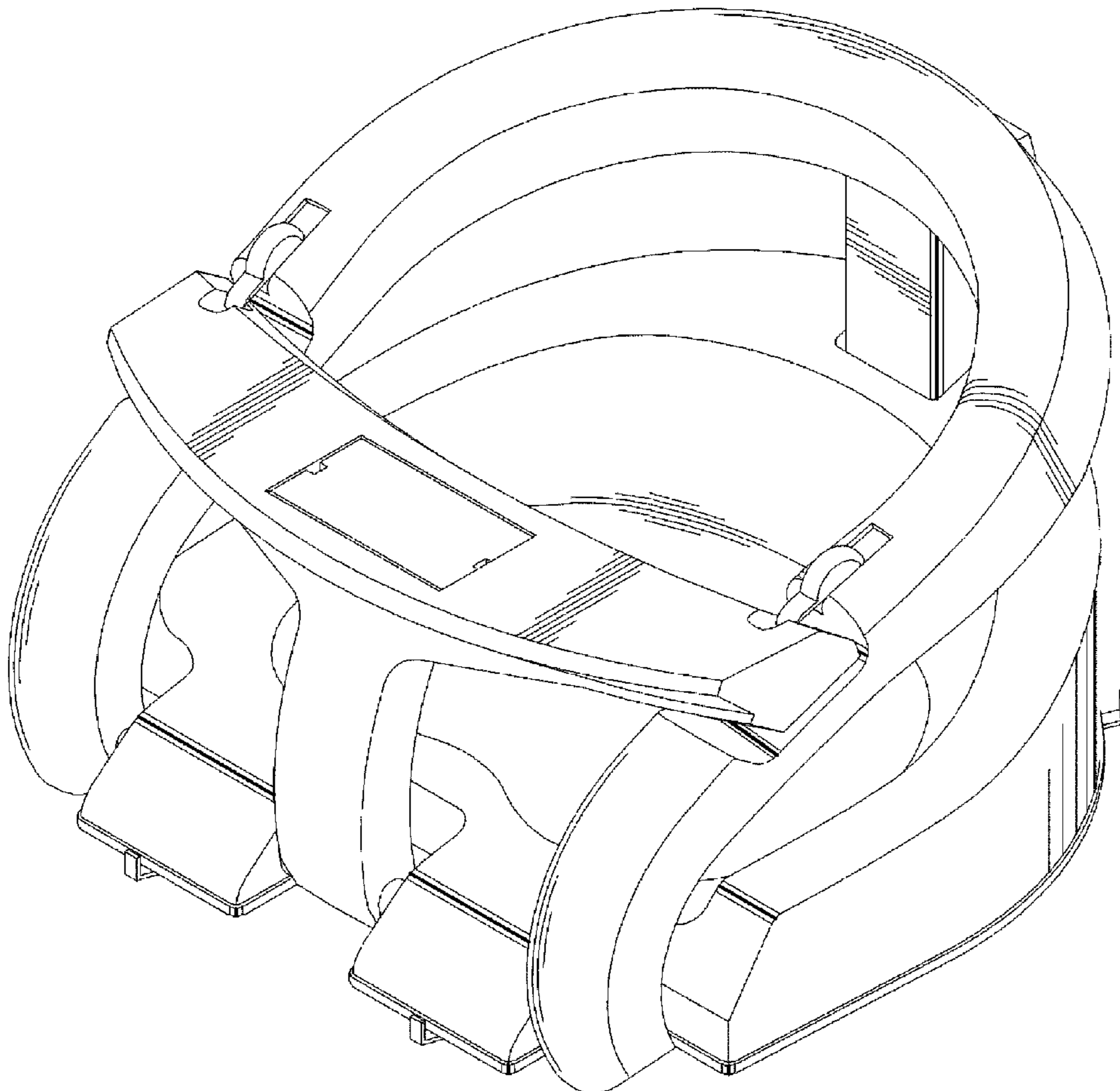
(57) **CLAIM**  
The ornamental design for a bath chair for children, as shown and described.

**DESCRIPTION**

FIG. 1 is a perspective view of a bath chair for children showing my new design;  
FIG. 2 is a front elevational view thereof;  
FIG. 3 is a rear elevational view thereof;  
FIG. 4 is a left side elevational view thereof;  
FIG. 5 is a right side elevational view thereof;  
FIG. 6 is a top plan view thereof; and,  
FIG. 7 is a bottom plan view thereof.  
The broken line showing of the bath chair is included for the purpose of illustrating environmental structure and forms no part of the claimed design.

- (56) **References Cited**  
**U.S. PATENT DOCUMENTS**  
D348,309 S \* 6/1994 Freese et al. .... D23/303  
D468,913 S \* 1/2003 Desnos ..... D6/333  
D553,865 S \* 10/2007 Buitendach ..... D6/333

**1 Claim, 7 Drawing Sheets**



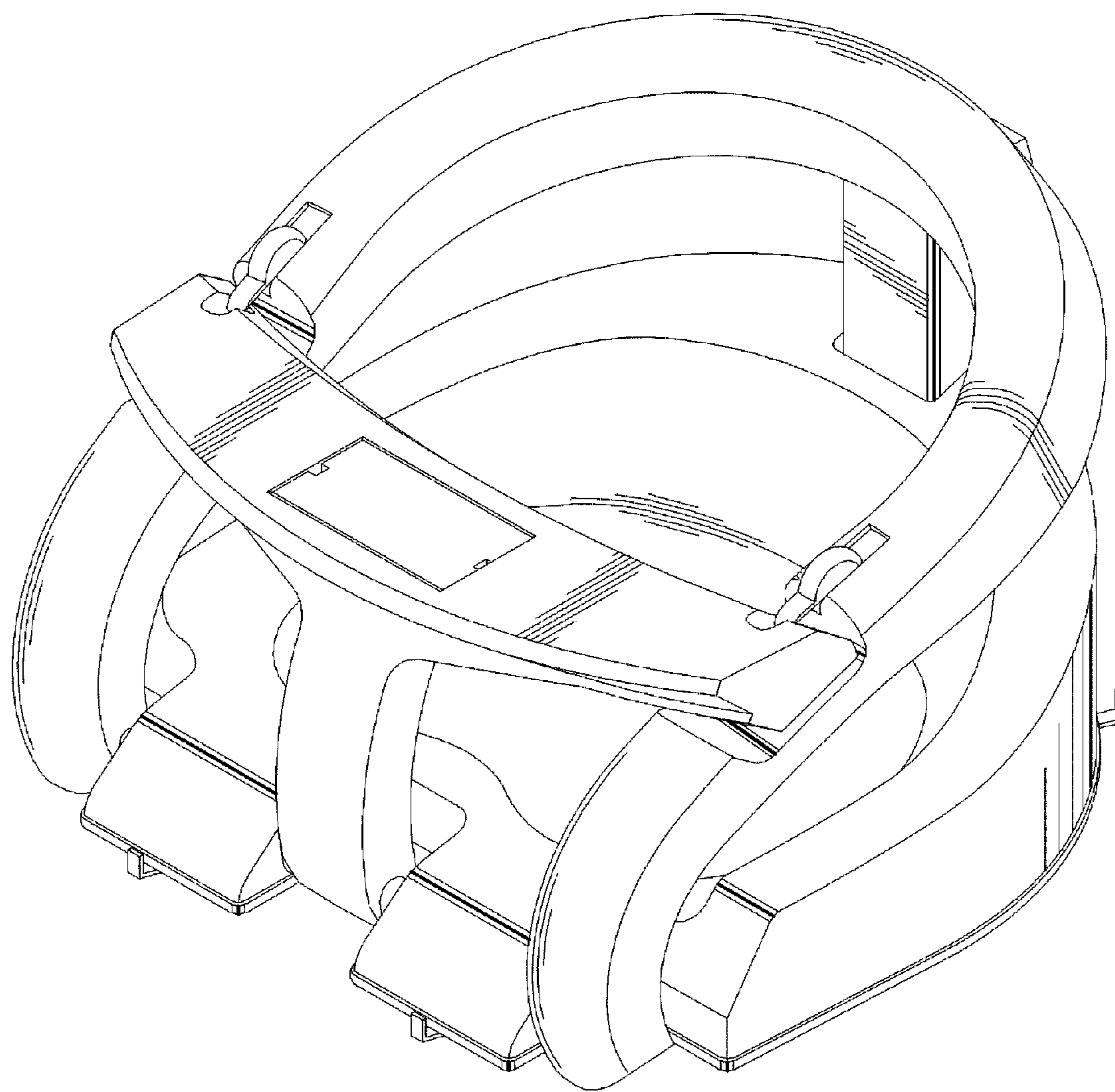


FIG. 1

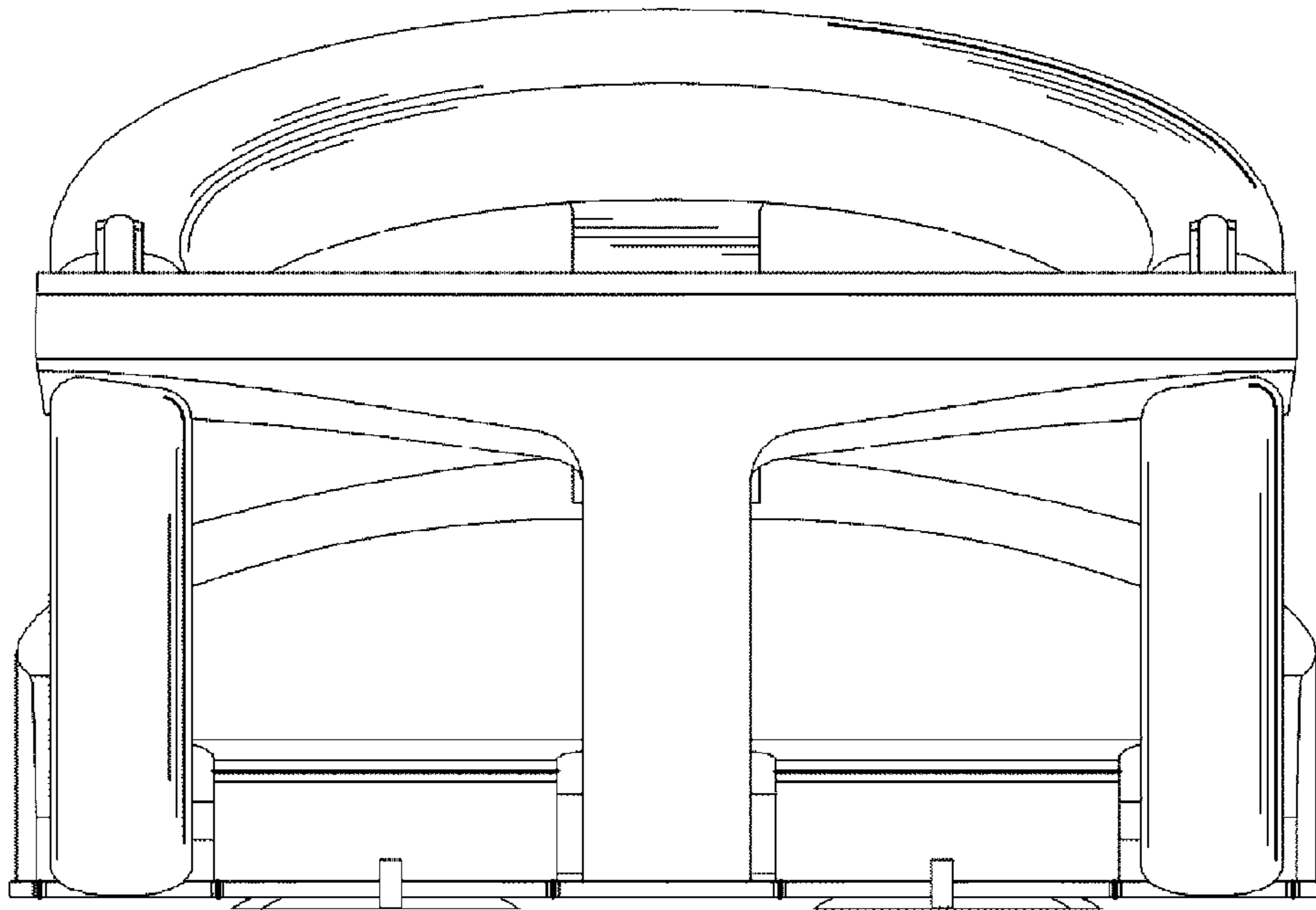


FIG. 2

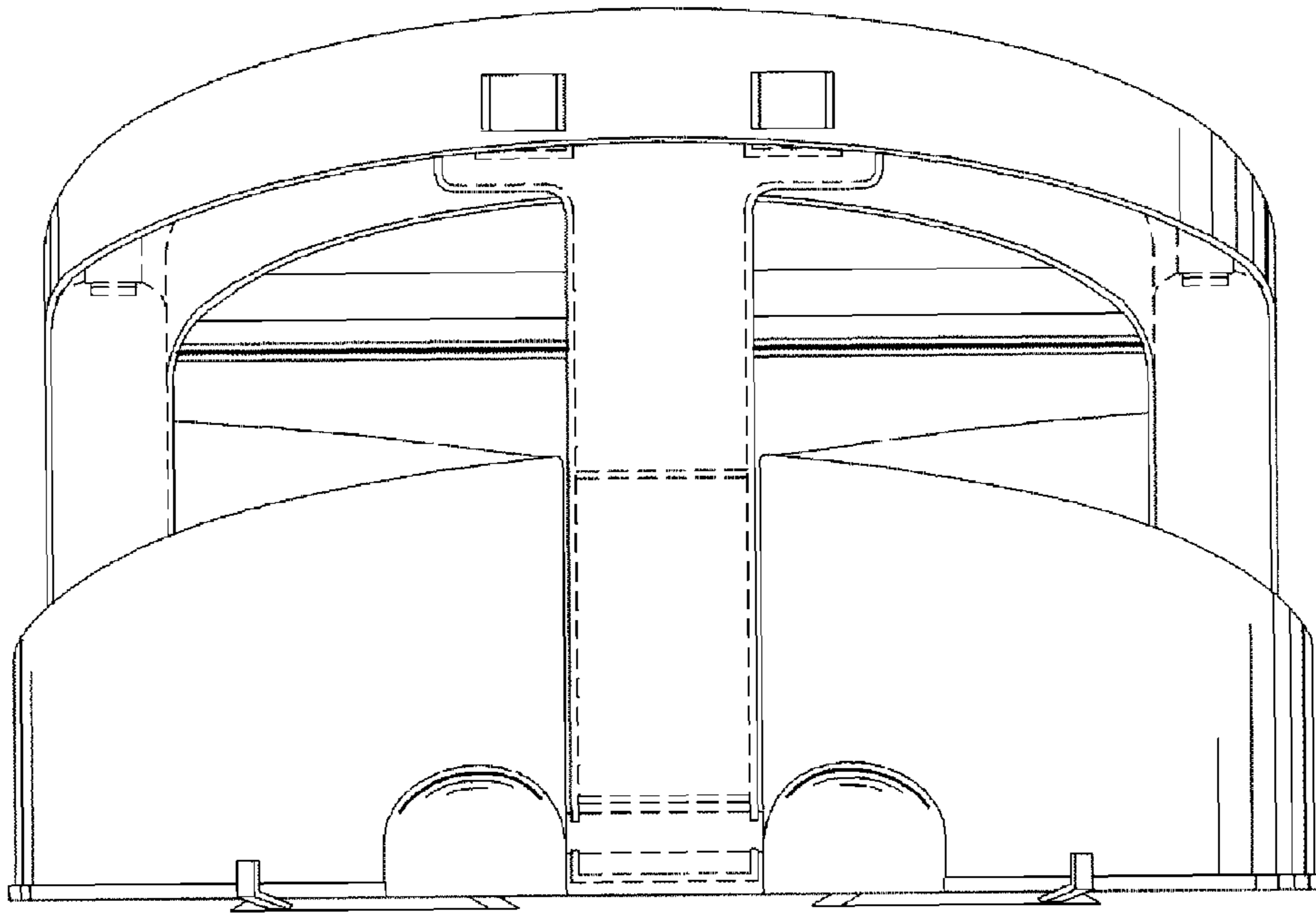


FIG. 3

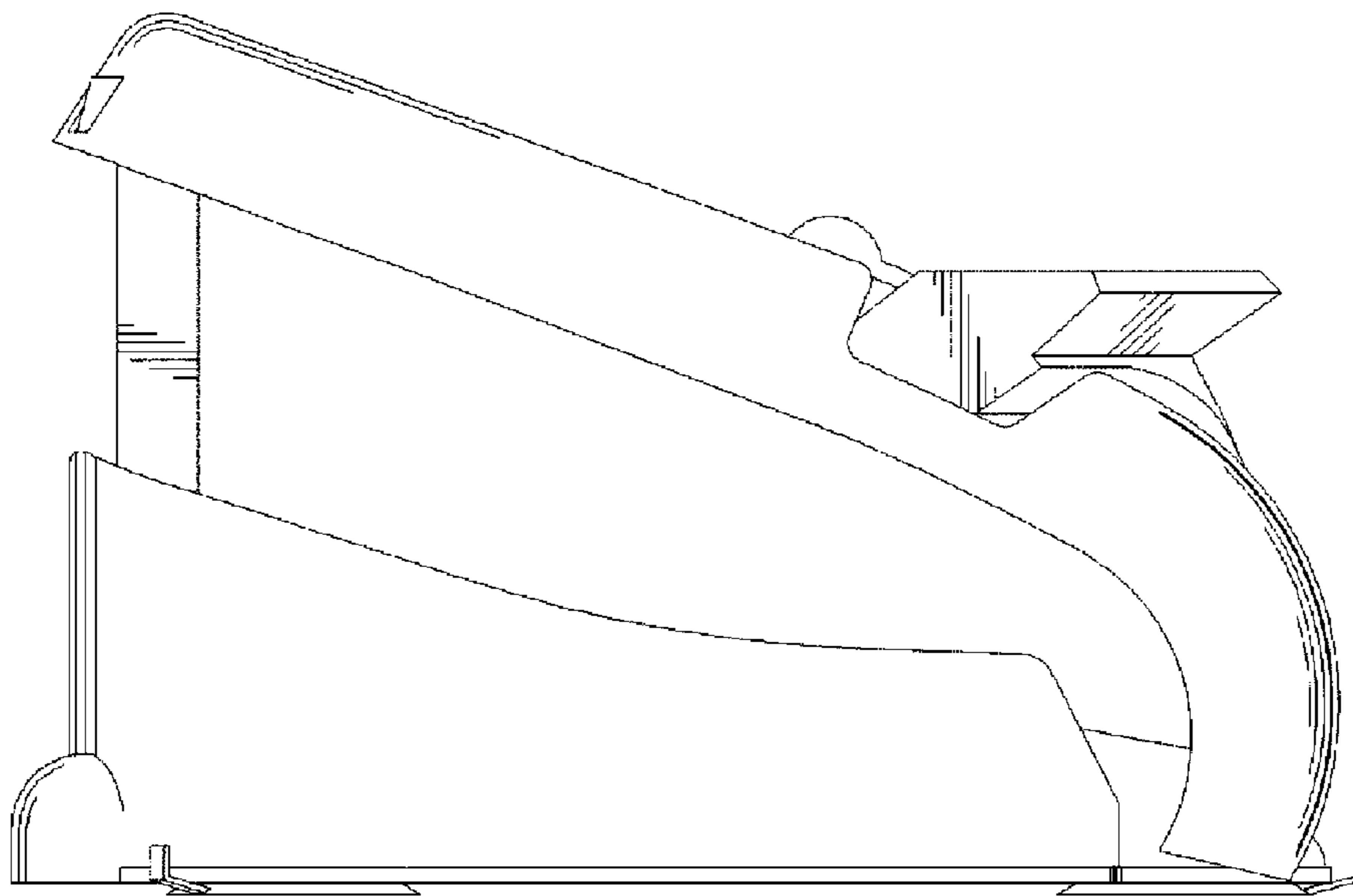


FIG. 4

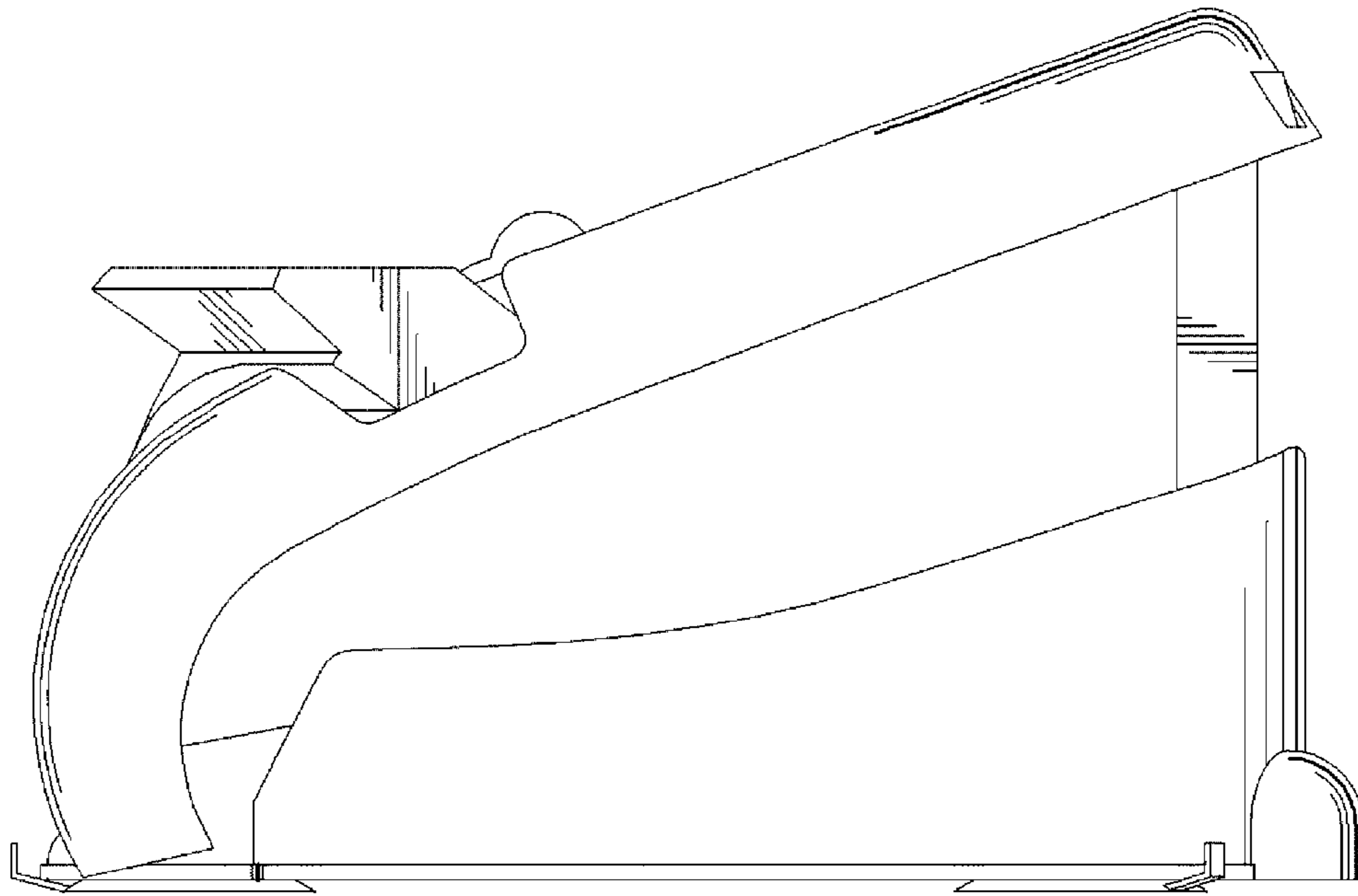


FIG. 5

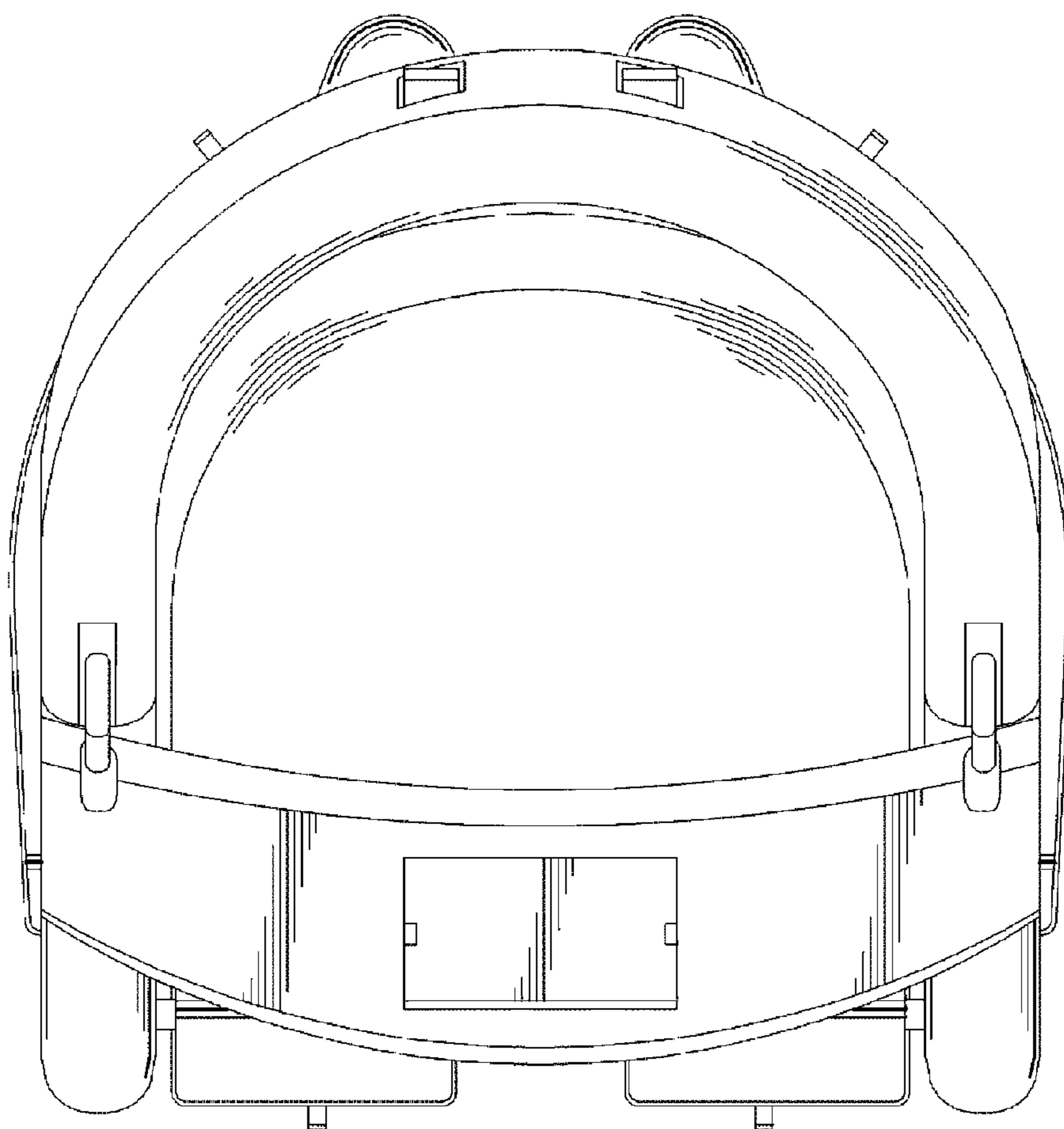


FIG. 6

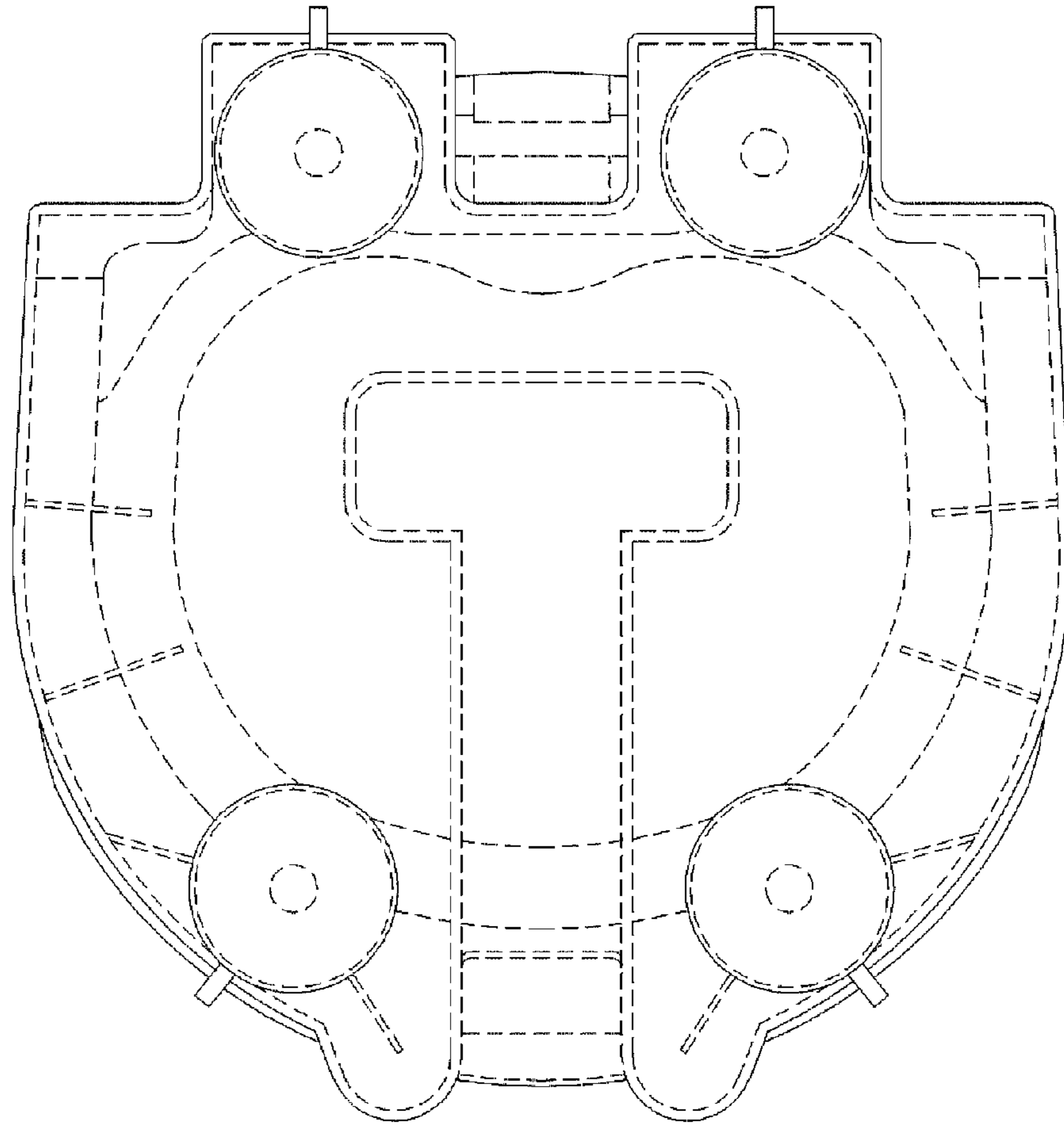


FIG. 7