



US00D652220S

(12) **United States Design Patent**
Pitot

(10) **Patent No.:** **US D652,220 S**
(45) **Date of Patent:** **** Jan. 17, 2012**

- (54) **SWIVEL MIRROR WITH LIGHT**
- (76) Inventor: **Bruce Pitot**, Mahwah, NJ (US)
- (**) Term: **14 Years**
- (21) Appl. No.: **29/391,718**
- (22) Filed: **May 12, 2011**
- (51) **LOC (9) Cl.** **06-07**
- (52) **U.S. Cl.** **D6/309**
- (58) **Field of Classification Search** D6/300-314,
D6/444; 40/700, 711, 719, 714-716, 720-722,
40/735, 738, 597, 744, 745, 754, 765, 768,
40/769, 790, 798; D20/29-32; 248/466-467;
D11/131, 133-135; 359/838, 871-872; D8/352
See application file for complete search history.

- D574,159 S * 8/2008 Howard D6/310
- D635,009 S * 3/2011 Paterson D8/352
- D639,077 S * 6/2011 DeBretton Gordon D6/310

* cited by examiner

Primary Examiner — Philip S Hyder
Assistant Examiner — Sydney Buffalow
(74) *Attorney, Agent, or Firm* — Pearne & Gordon LLP

(56) **References Cited**

U.S. PATENT DOCUMENTS

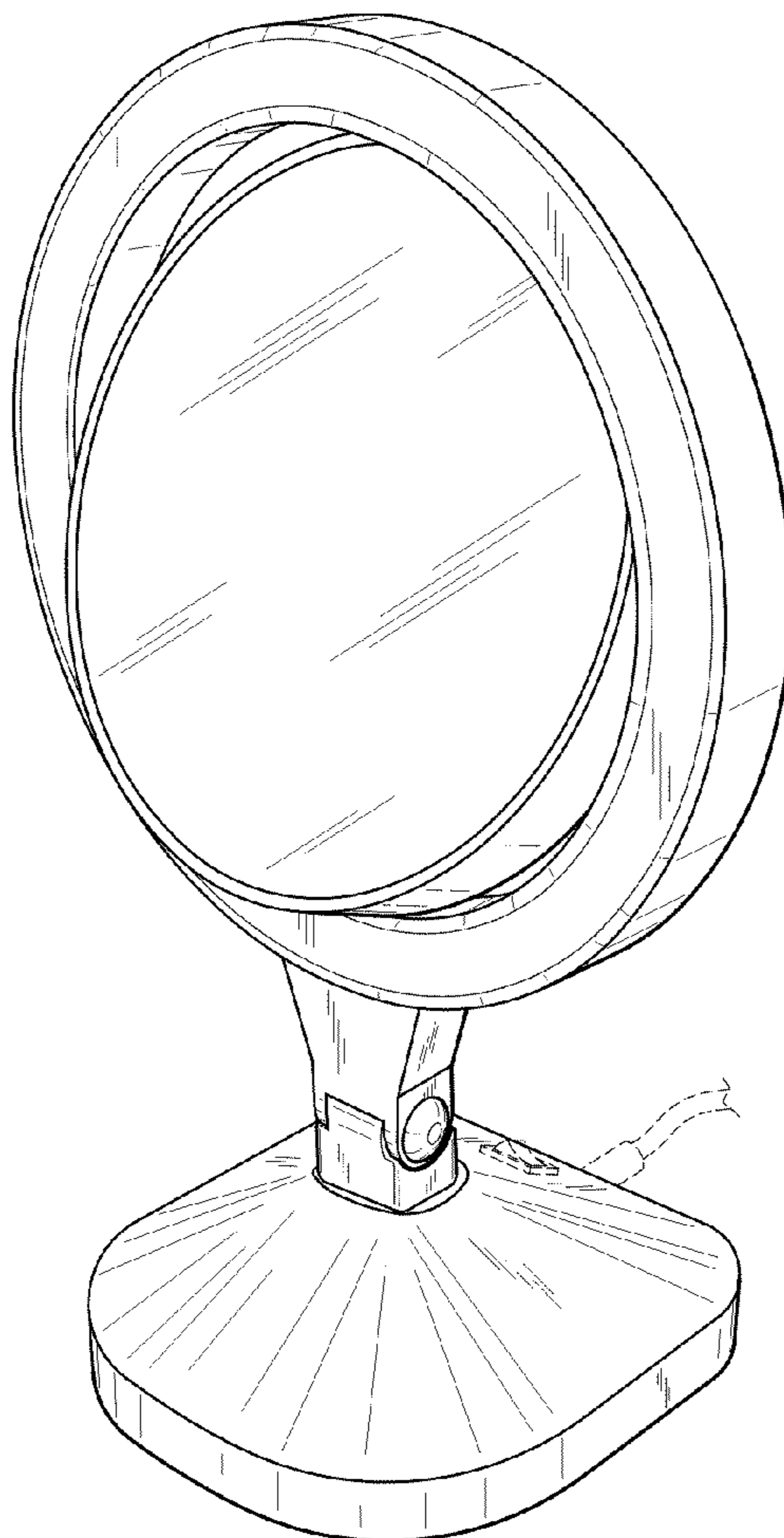
- D208,234 S * 8/1967 Ely D6/308
- D309,833 S * 8/1990 Wahl D6/300
- D379,125 S * 5/1997 Simjian D6/309
- D431,375 S * 10/2000 Zadro D6/312
- D509,369 S * 9/2005 Snell D6/310
- D511,413 S * 11/2005 Yue D6/300

(57) **CLAIM**
The ornamental design for a swivel mirror with light, as shown and described.

DESCRIPTION

FIG. 1 is a perspective view of the swivel mirror in light; FIG. 2 is a top plan view thereof; FIG. 3 is a front elevational view thereof; FIG. 4 is a right side elevational view thereof; FIG. 5 is a rear elevational view thereof; and, FIG. 6 is a bottom plan view thereof.
The broken lines shown in the drawings are directed to unclaimed features of design that form no part of the claimed design.

1 Claim, 3 Drawing Sheets



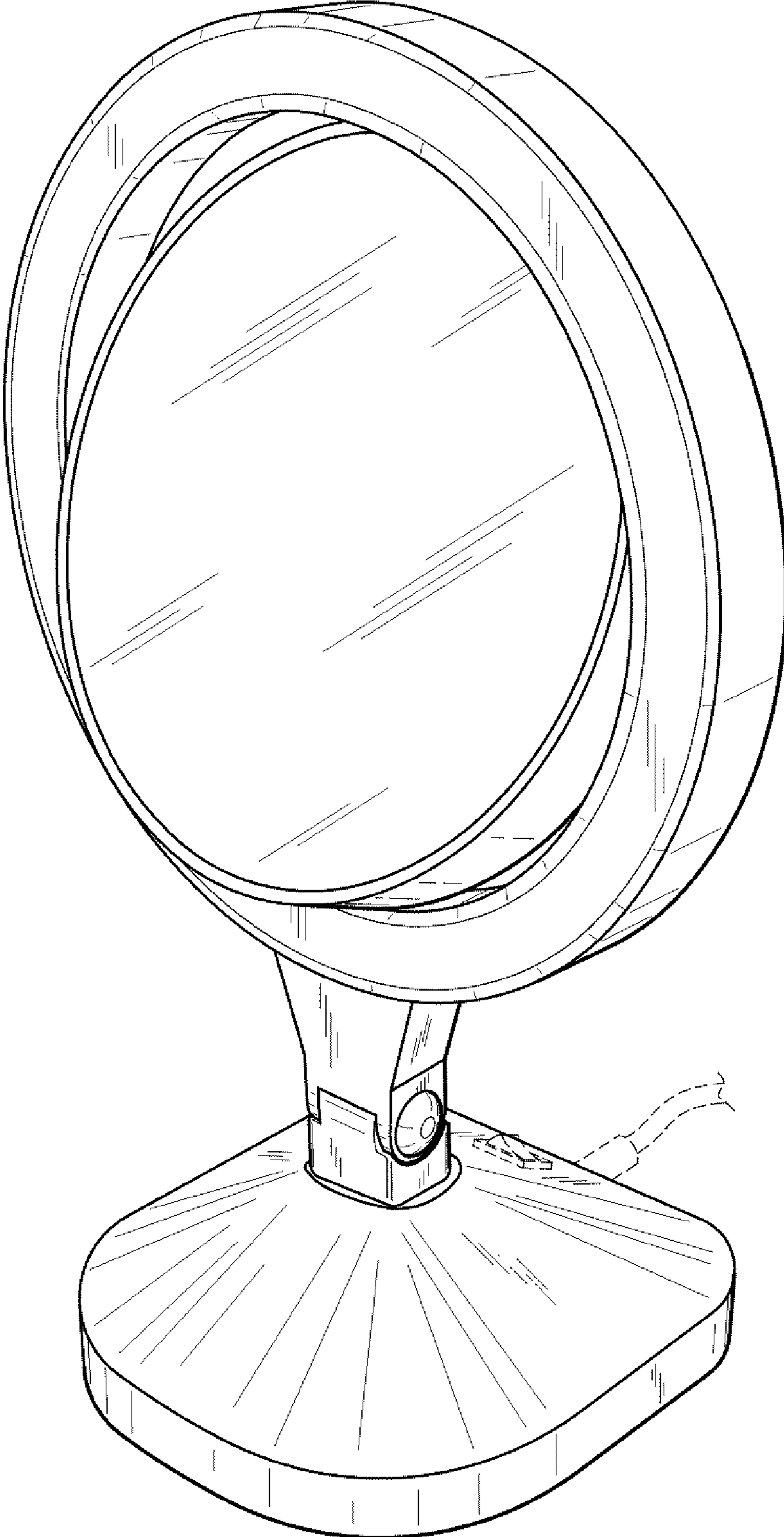


FIG. 1

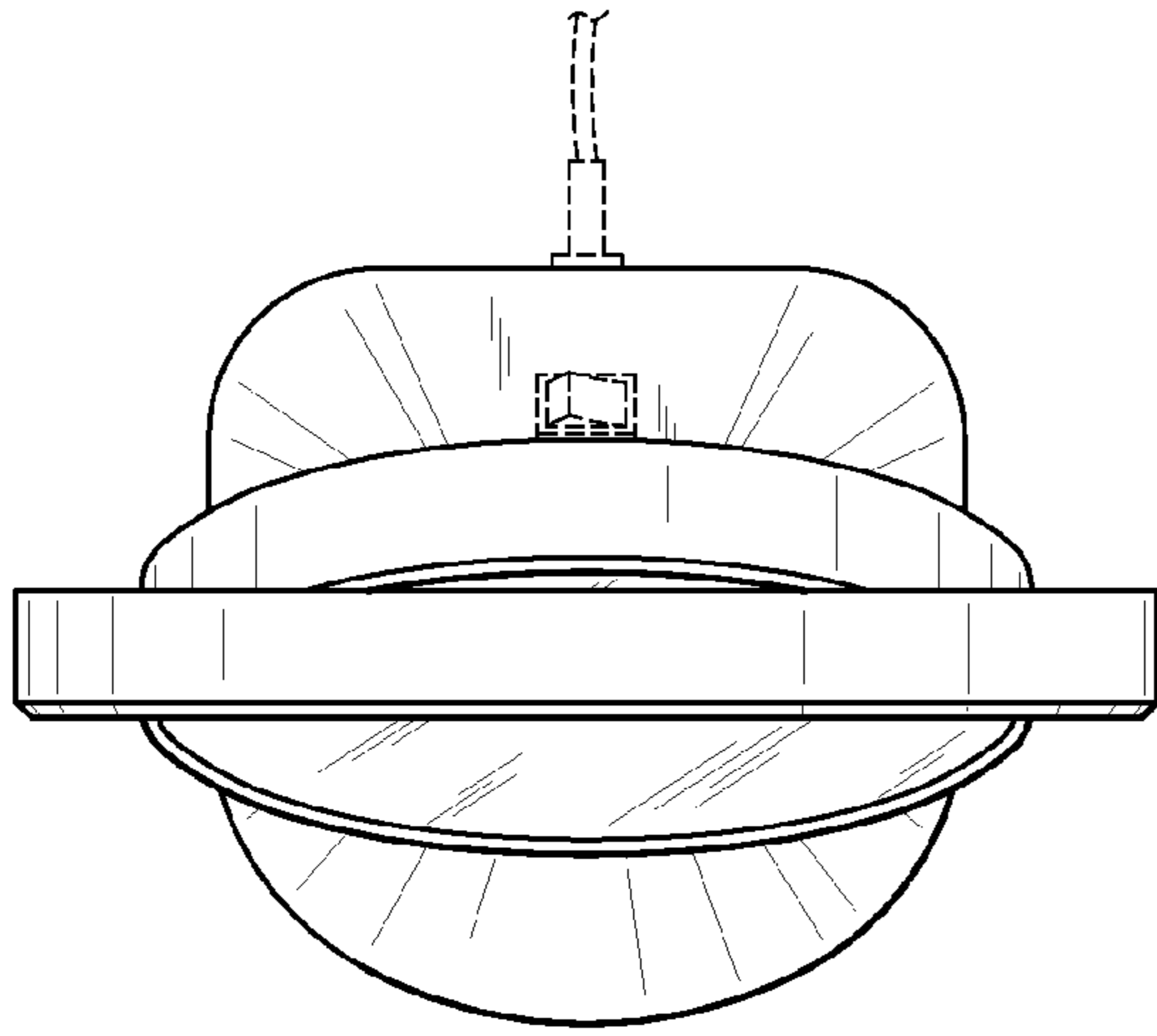


FIG. 2

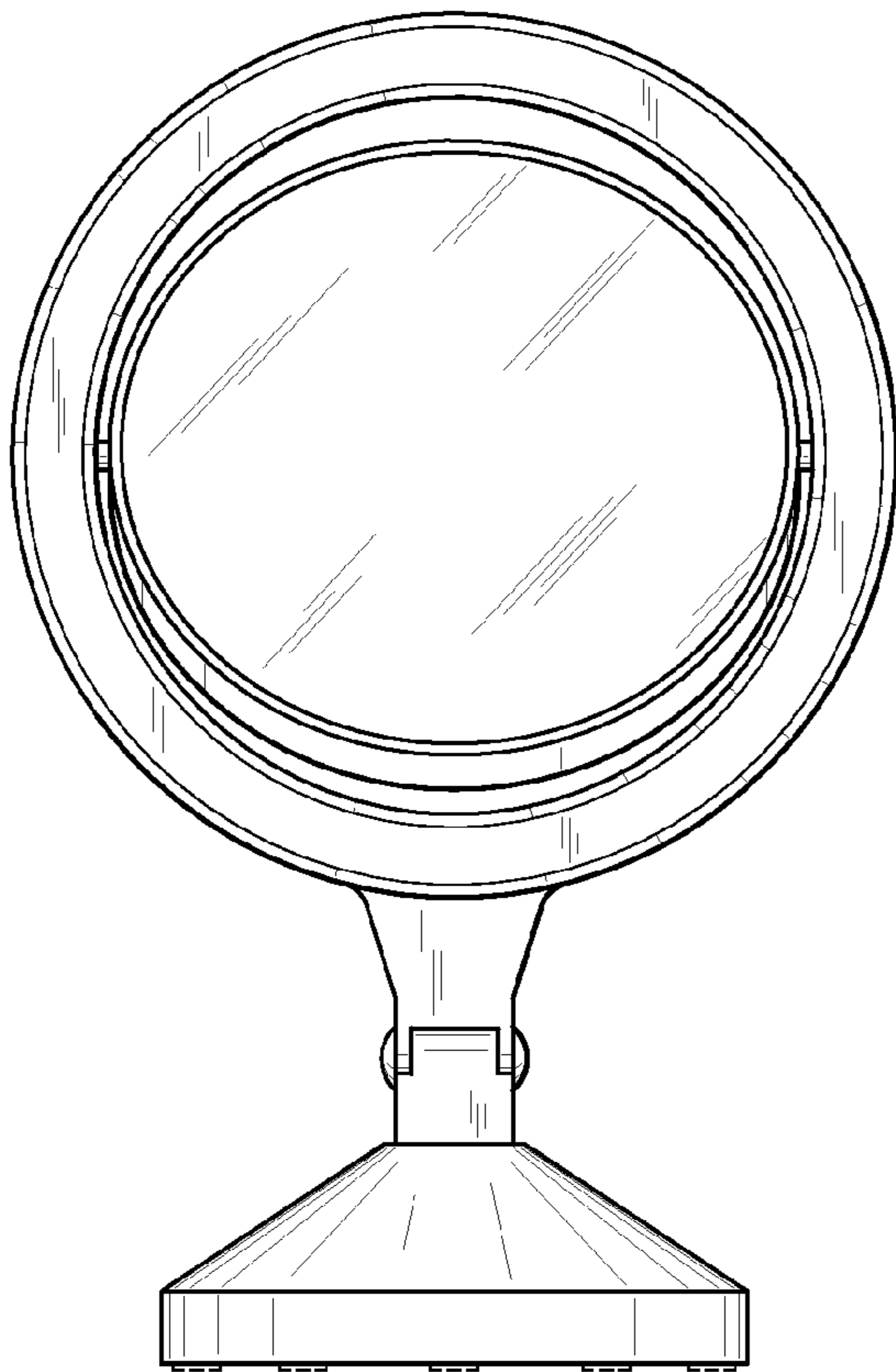


FIG. 3

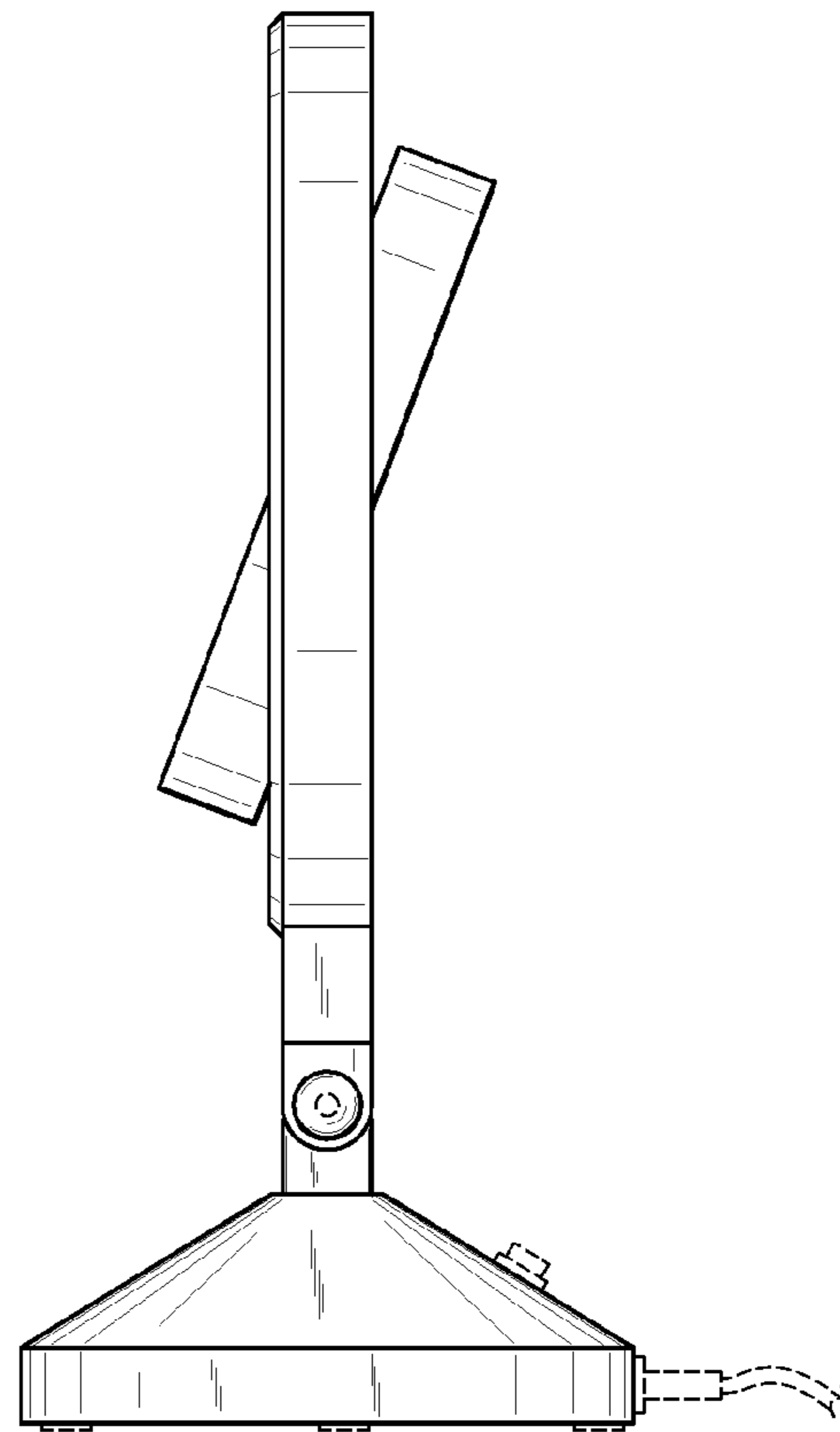


FIG. 4

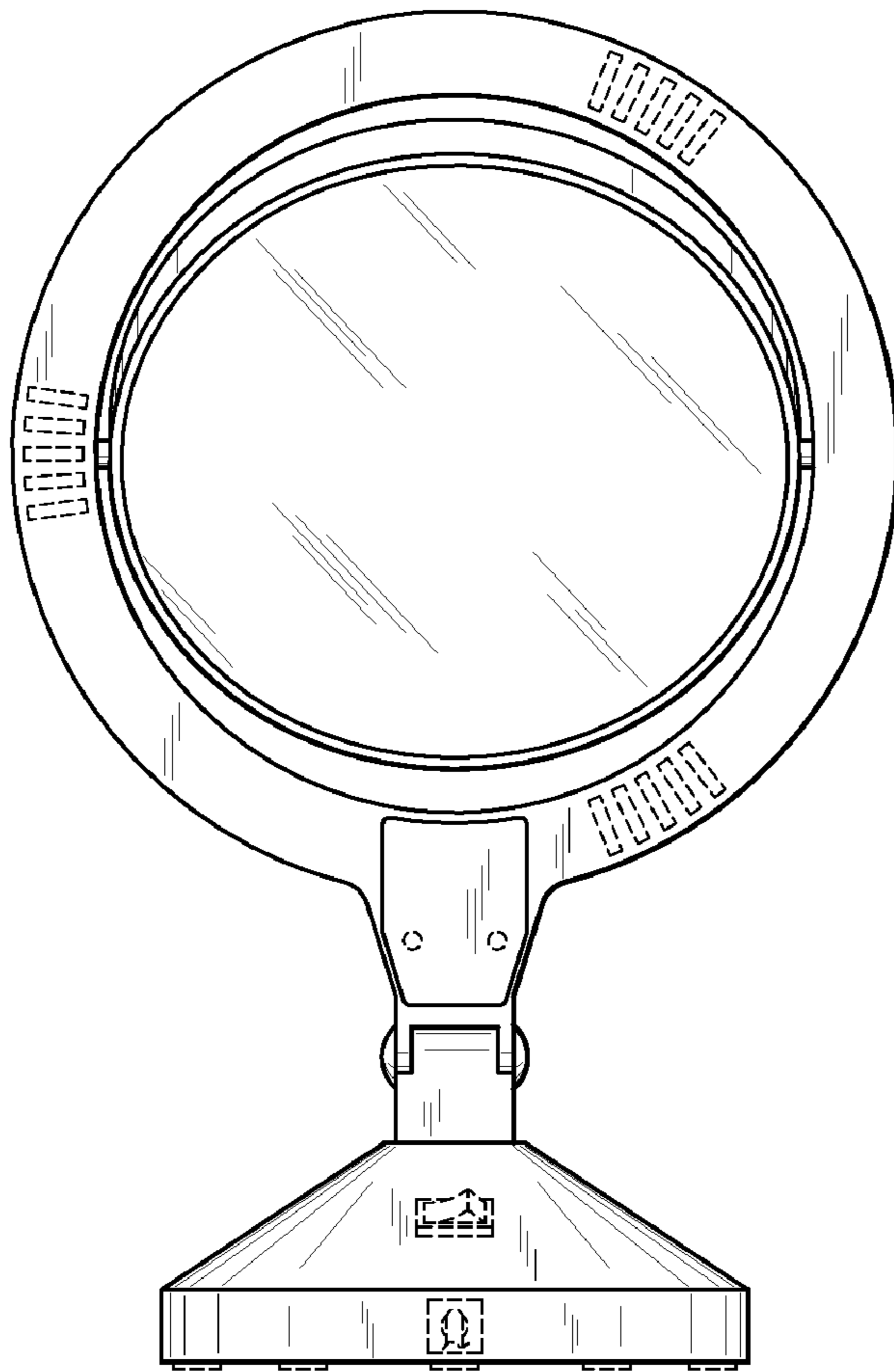


FIG. 5

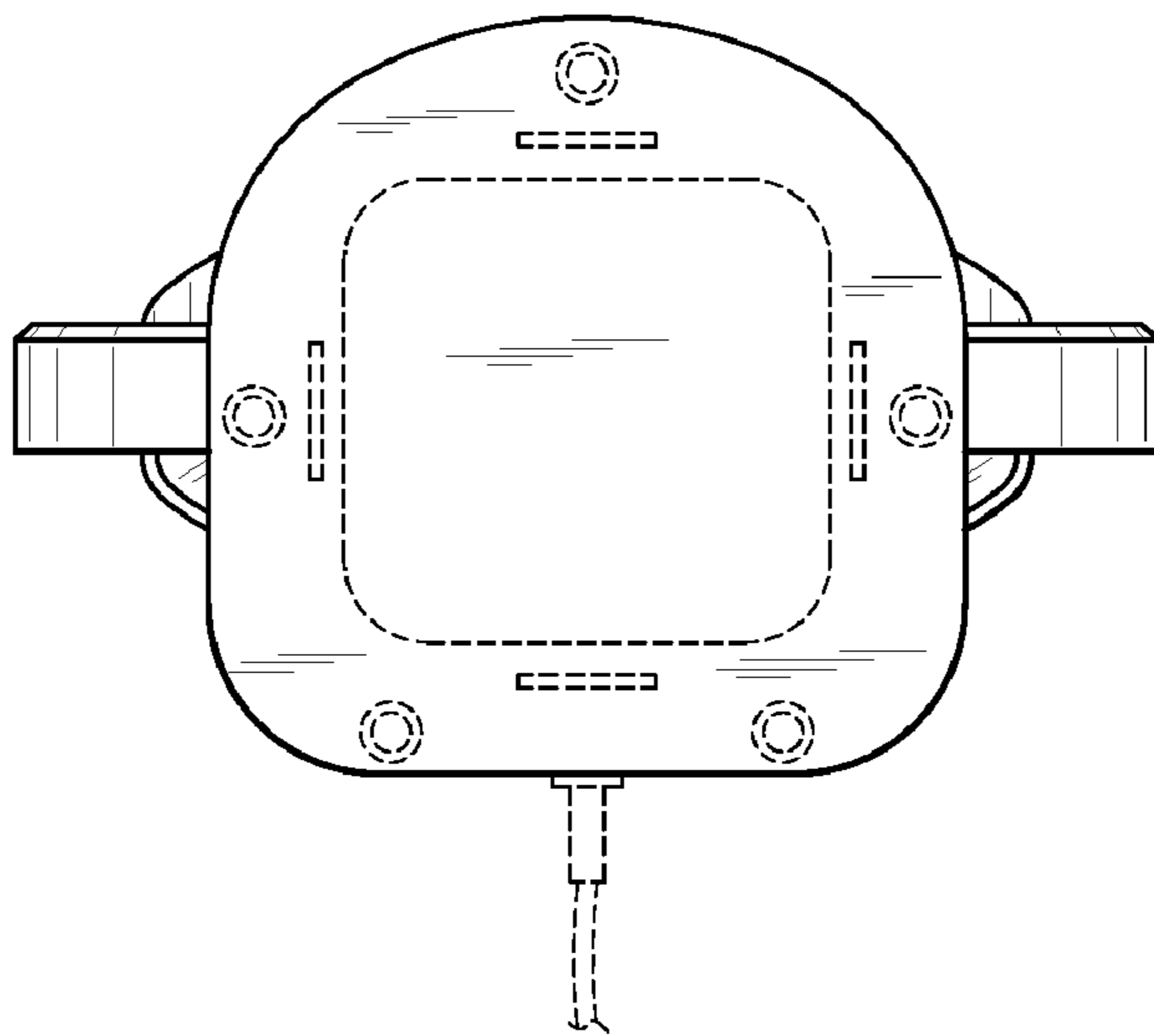


FIG. 6