



US00D652218S

(12) **United States Design Patent**  
**Hoffelner**

(10) **Patent No.:** **US D652,218 S**  
(45) **Date of Patent:** **\*\* Jan. 17, 2012**

(54) **COMBINED ICE SCRAPER AND BRUSH**  
(75) Inventor: **Volkwin Hoffelner**, St. Andrä-Wördern  
(AT)  
(73) Assignee: **VEROPA Dkfm. Peter Vogt GmbH**,  
Vienna (AT)

D346,903 S \* 5/1994 Hillmer ..... D4/118  
6,243,906 B1 \* 6/2001 Holliday et al. .... 15/111  
D501,727 S \* 2/2005 Liu ..... D4/118  
D561,999 S \* 2/2008 Liu ..... D4/118  
D562,000 S \* 2/2008 Liu ..... D4/118  
D597,315 S \* 8/2009 Hoffelner ..... D4/118

\* cited by examiner

(\*\*) Term: **14 Years**  
(21) Appl. No.: **29/333,259**  
(22) Filed: **Mar. 5, 2009**

*Primary Examiner* — Melanie H Tung  
*Assistant Examiner* — Lavone D Tabor  
(74) *Attorney, Agent, or Firm* — Laurence A. Greenberg;  
Werner H. Stemer; Ralph E. Locher

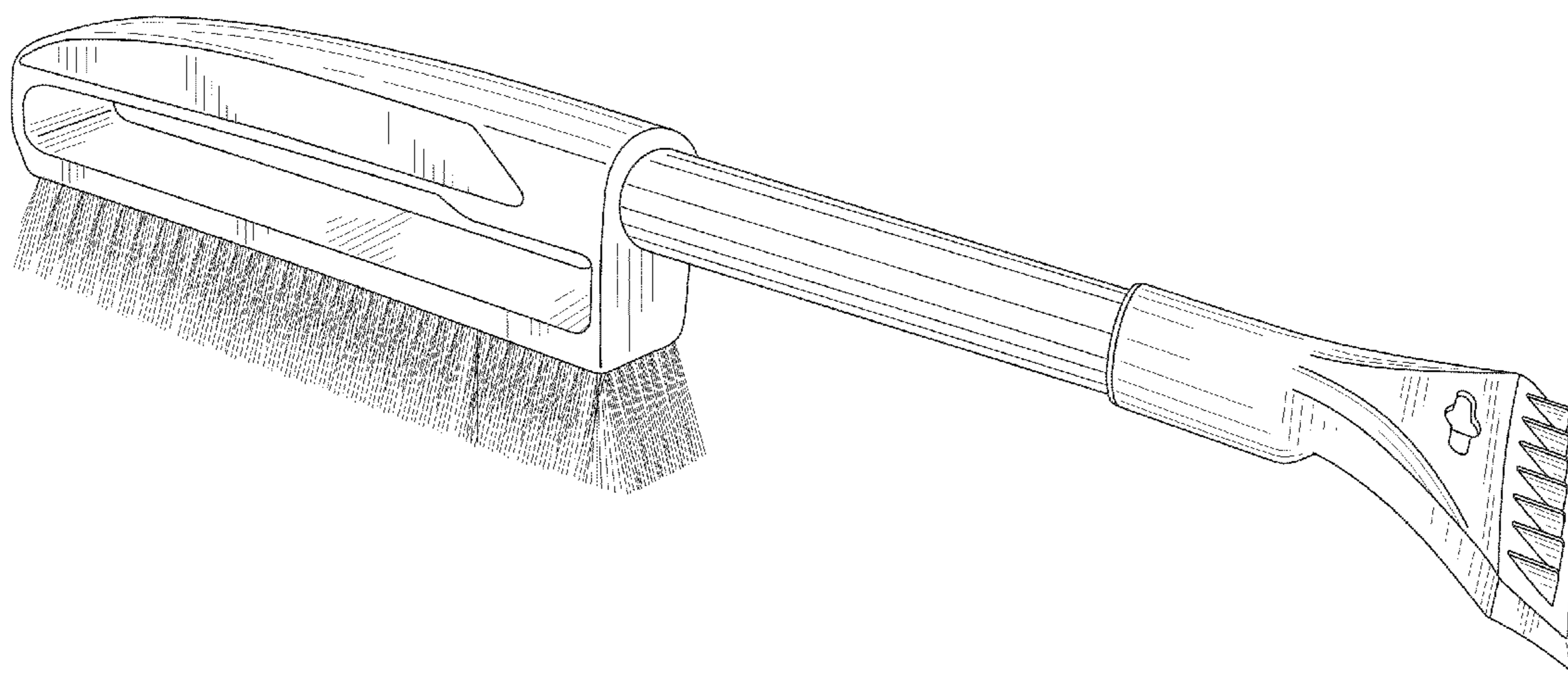
(30) **Foreign Application Priority Data**  
Sep. 18, 2008 (EM) ..... 001005367  
(51) **LOC (9) Cl.** ..... **04-01**  
(52) **U.S. Cl.** ..... **D4/118; D4/129**  
(58) **Field of Classification Search** ..... D4/118,  
D4/129, 134; D32/42, 46, 48, 49; 15/111,  
15/236.01, 236.02, 236.05, 236.06, 236.08,  
15/236.09  
See application file for complete search history.

(57) **CLAIM**  
The ornamental design for a combined ice scraper and brush,  
as shown and described.

(56) **References Cited**  
U.S. PATENT DOCUMENTS  
D269,054 S \* 5/1983 Bauer ..... D4/118  
D335,771 S \* 5/1993 Mallory et al. .... D4/118

**DESCRIPTION**  
FIG. 1 is a top, rear, left side perspective view of a combined  
ice scraper and brush showing my new design;  
FIG. 2 is a reduced top plan view thereof;  
FIG. 3 is a reduced bottom plan view thereof, the broken lines  
shown therein forming no part of the claimed design;  
FIG. 4 is a reduced right side elevational view thereof;  
FIG. 5 is a rear end elevational view thereof; and,  
FIG. 6 is a front end elevational view thereof.

**1 Claim, 3 Drawing Sheets**



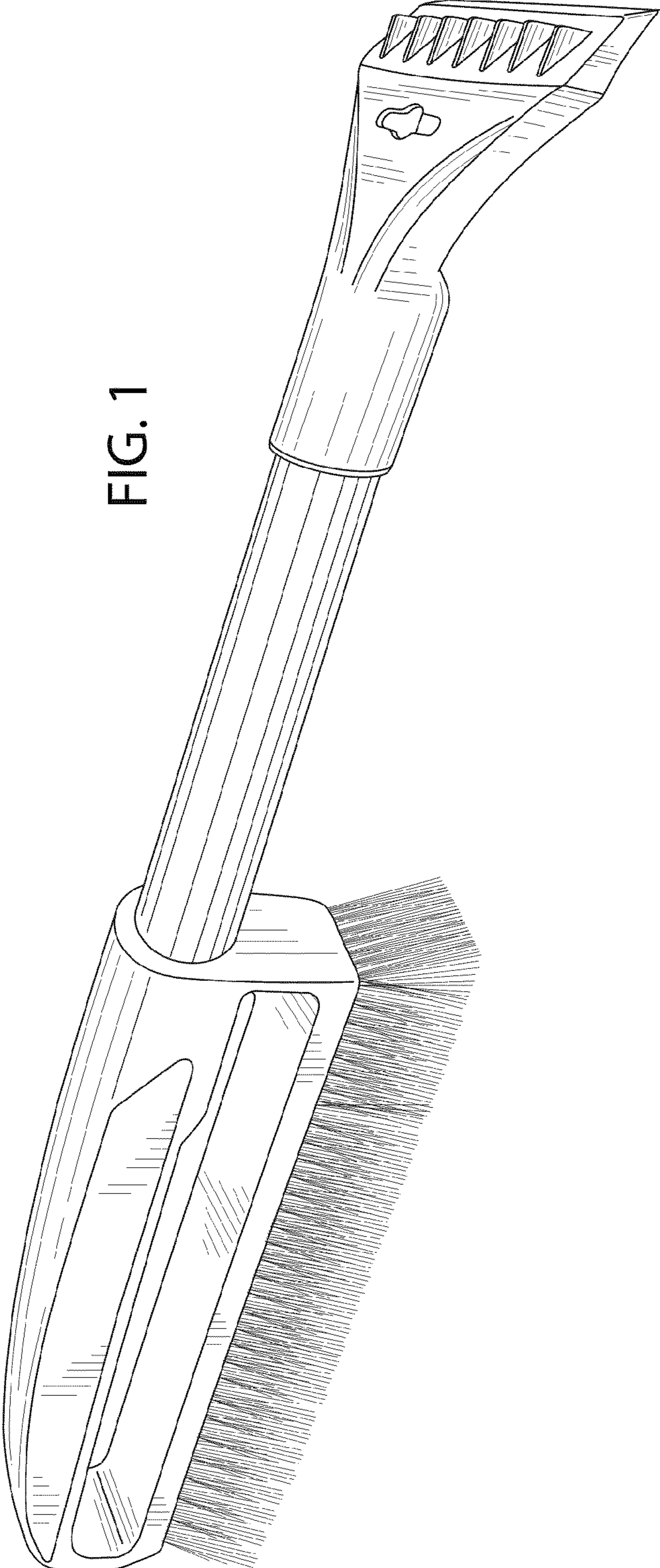


FIG. 1

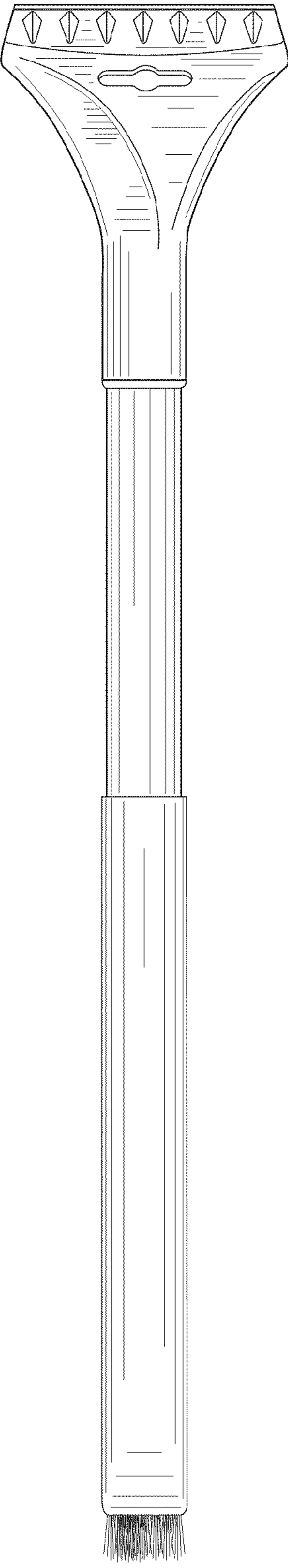


FIG. 2

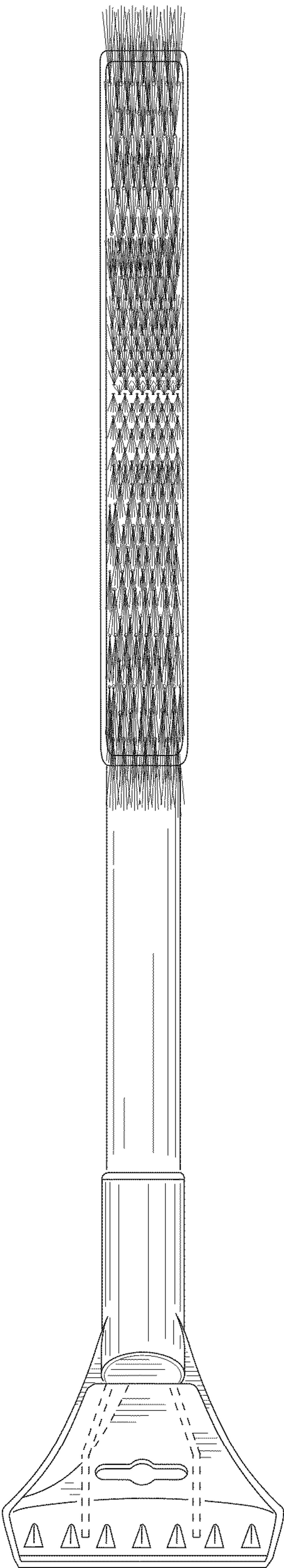


FIG. 3

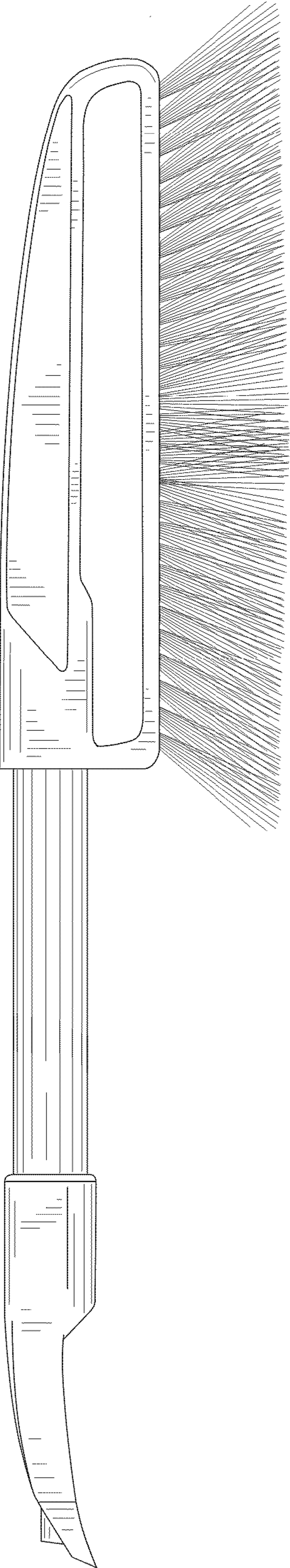


FIG. 4

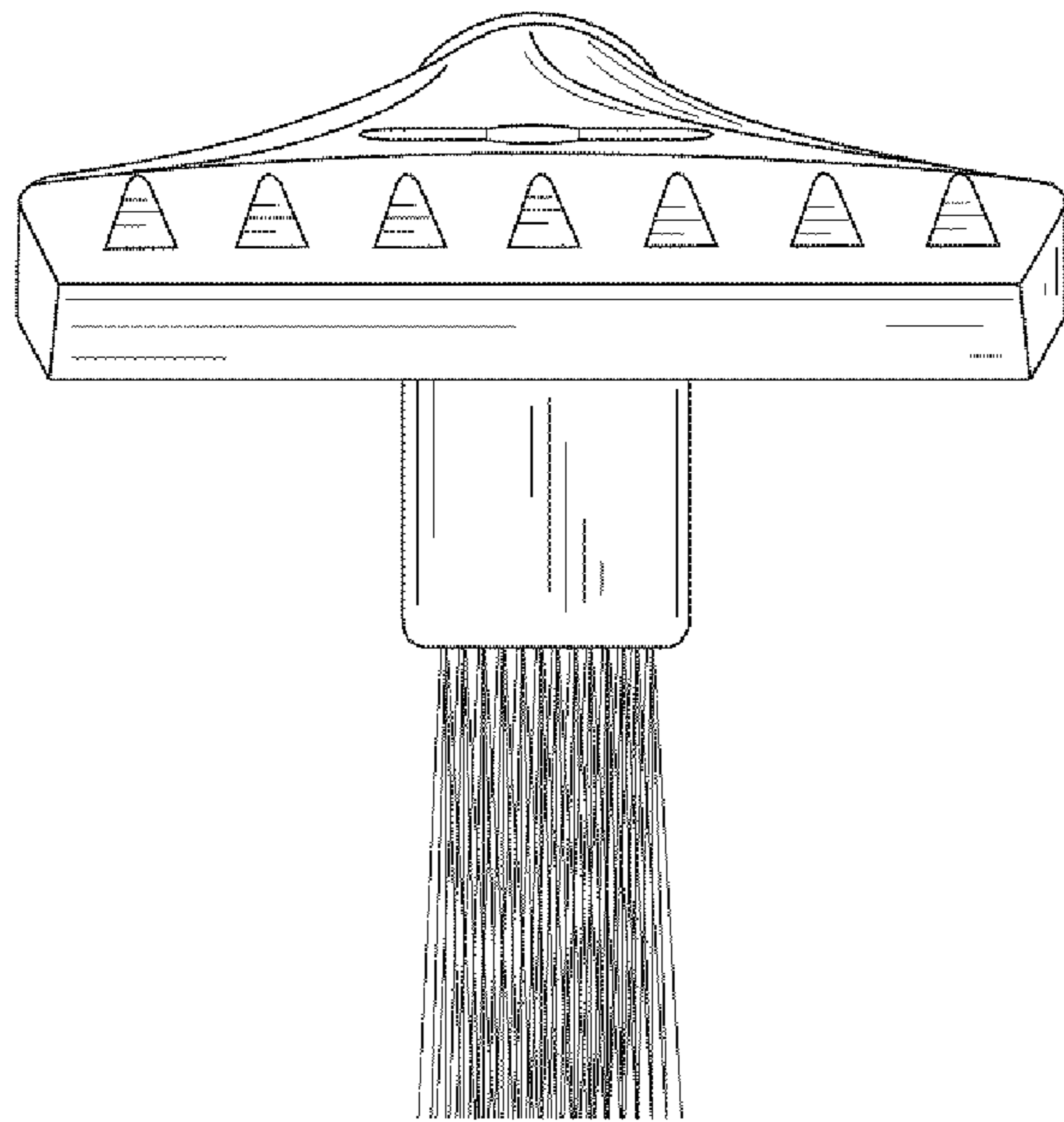


FIG. 5

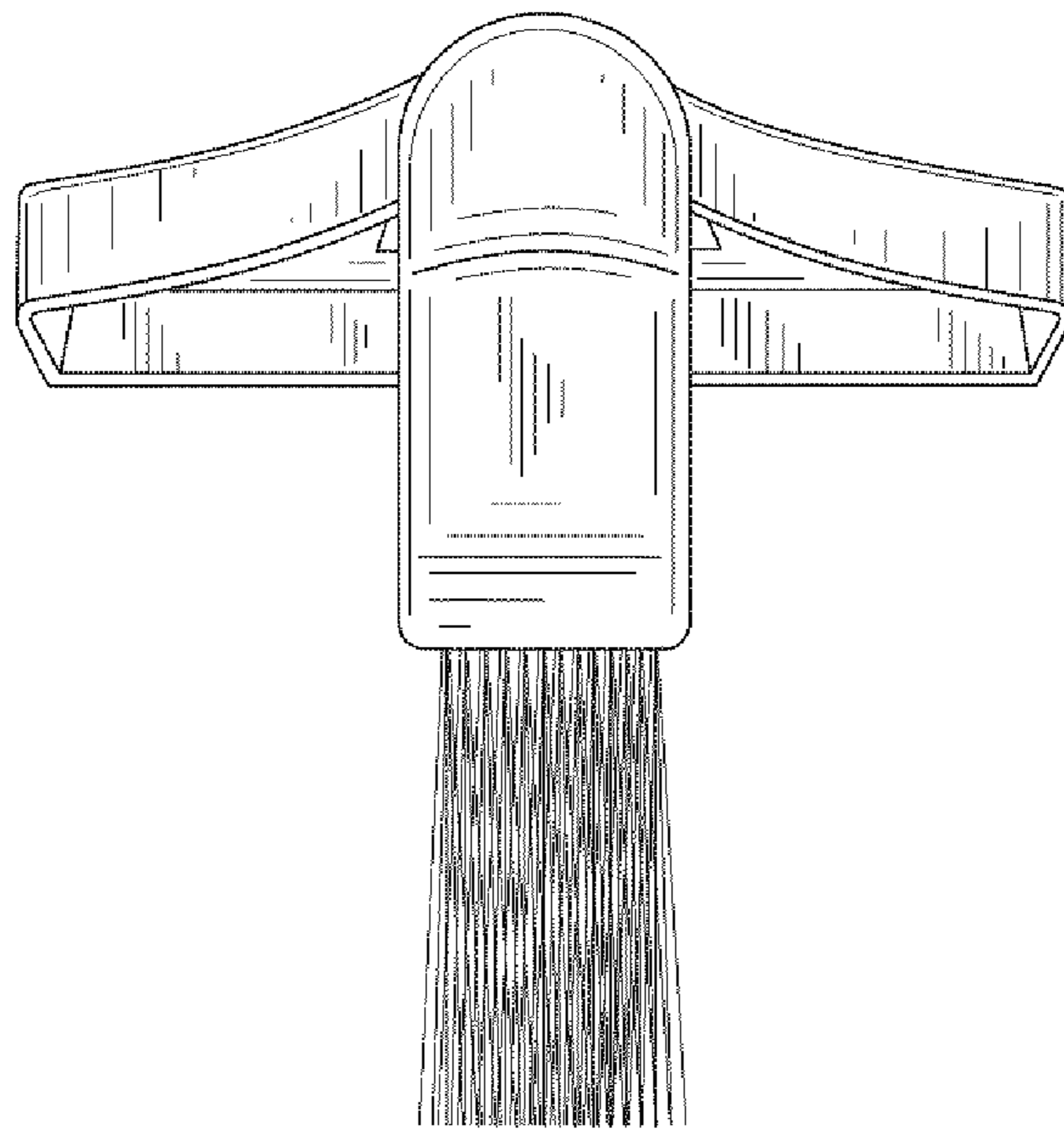


FIG. 6