



US00D652212S

(12) **United States Design Patent**
Takayanagi et al.

(10) **Patent No.:** **US D652,212 S**
(45) **Date of Patent:** **** Jan. 17, 2012**

(54) **CARRYING CASE FOR AN OPTICAL FIBER FUSION SPLICER**

(75) Inventors: **Hiroshi Takayanagi**, Yokohama (JP);
Hisao Yui, Yokohama (JP)

(73) Assignee: **Sumitomo Electric Industries, Ltd.**,
Osaka-shi, Osaka (JP)

(**) Term: **14 Years**

(21) Appl. No.: **29/379,199**

(22) Filed: **Nov. 16, 2010**

(30) **Foreign Application Priority Data**

May 20, 2010 (JP) D2010-012475

(51) **LOC (9) Cl.** **03-01**

(52) **U.S. Cl.** **D3/263**

(58) **Field of Classification Search** D3/201,
D3/272, 273, 276, 281, 282, 294, 295, 263;
D9/420, 423, 424; D27/189; 206/349, 372,
206/373; 220/324, 833, 834; 312/905; 190/100
See application file for complete search history.

(56) **References Cited**

U.S. PATENT DOCUMENTS

| | | | | |
|-----------|------|---------|------------------|---------|
| 5,122,638 | A * | 6/1992 | Sato et al. | 219/383 |
| 6,206,583 | B1 * | 3/2001 | Hishikawa et al. | 385/96 |
| 6,439,782 | B1 * | 8/2002 | Otani et al. | 385/96 |
| 6,467,973 | B2 * | 10/2002 | Takahashi et al. | 385/96 |
| 6,478,481 | B2 * | 11/2002 | Uchida et al. | 385/96 |
| 6,886,999 | B2 * | 5/2005 | Iwashita et al. | 385/96 |
| 7,061,522 | B1 * | 6/2006 | Kojima et al. | 348/61 |
| 7,223,029 | B2 * | 5/2007 | Hattori et al. | 385/96 |
| 7,371,020 | B2 * | 5/2008 | Kanda et al. | 385/98 |
| 7,438,485 | B2 * | 10/2008 | Tabata et al. | 385/97 |
| 7,488,125 | B2 * | 2/2009 | Takahashi et al. | 385/95 |
| 7,494,288 | B2 * | 2/2009 | Ozawa et al. | 385/96 |
| D610,596 | S * | 2/2010 | Mizushima | D15/127 |

7,699,541 B2 * 4/2010 Ozawa et al. 385/96
* cited by examiner

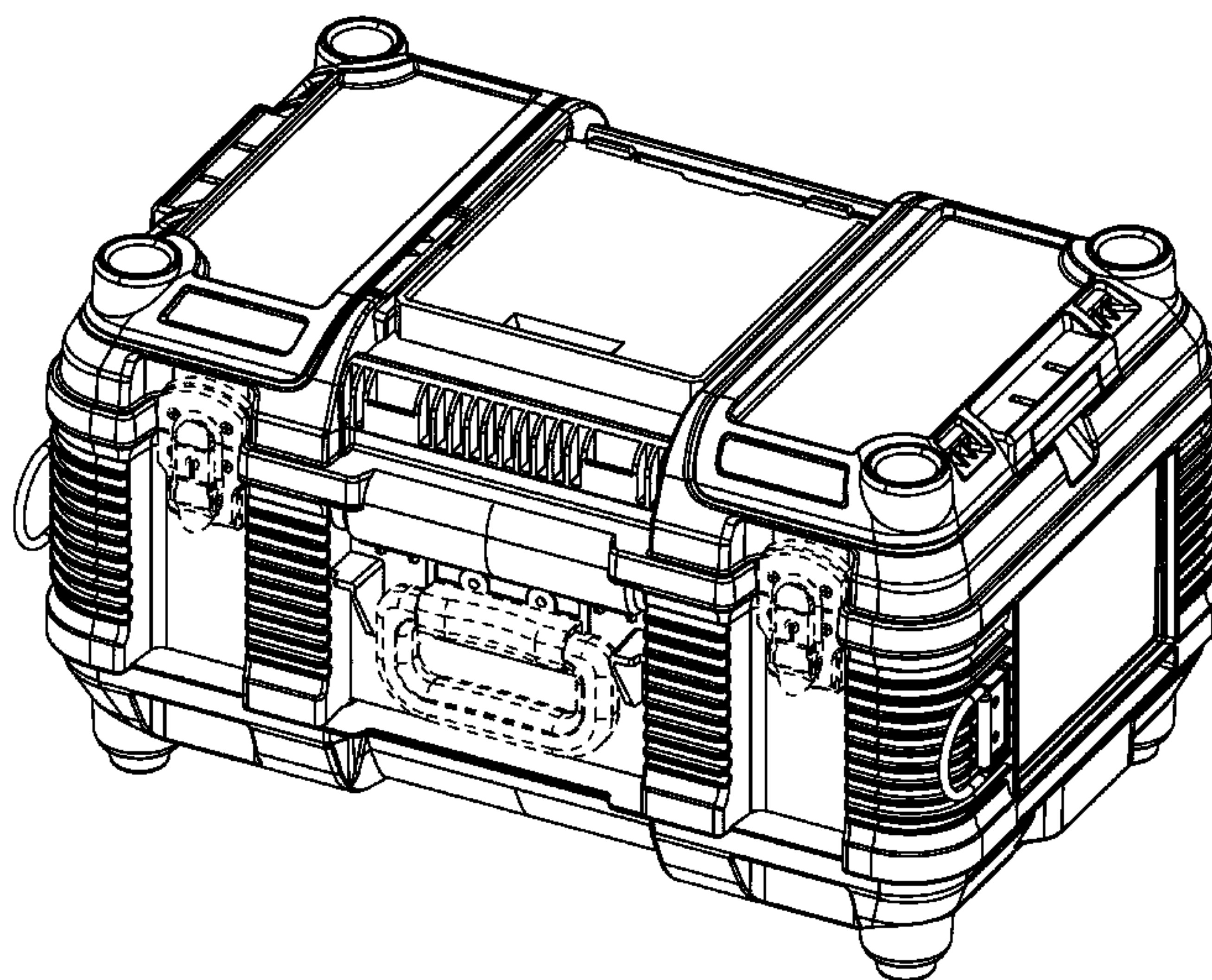
Primary Examiner — Holly Baynham
Assistant Examiner — Michelle E Wilson
(74) *Attorney, Agent, or Firm* — Drinker Biddle & Reath
LLP

(57) **CLAIM**
The ornamental design for a carrying case for an optical fiber fusion splicer, as shown and described.

DESCRIPTION

FIG. 1 is a front view of a first embodiment of a carrying case for an optical fiber fusion splicer.
FIG. 2 is a rear view of the first embodiment of the carrying case for an optical fiber fusion splicer.
FIG. 3 is a top plan view of the first embodiment of the carrying case for an optical fiber fusion splicer.
FIG. 4 is a bottom view of the first embodiment of the carrying case for an optical fiber fusion splicer.
FIG. 5 is a right side view of the first embodiment of the carrying case for an optical fiber fusion splicer.
FIG. 6 is a left side view of the first embodiment of the carrying case for an optical fiber fusion splicer.
FIG. 7 is a perspective view of the first embodiment of the carrying case for an optical fiber fusion splicer.
FIG. 8 is a top plan view with the lid open of the first embodiment of the carrying case for an optical fiber fusion splicer.
FIG. 9 is a perspective view with the lid open of the first embodiment of the carrying case for an optical fiber fusion splicer.
FIG. 10 is a reference view of the first embodiment of the carrying case for an optical fiber fusion splicer; and,
FIG. 11 is another reference view of the first embodiment of the carrying case for an optical fiber fusion splicer.
The broken lines showing of the handles, inside of the carrying case, and other features are included for the purpose of illustrating environmental structure and forms no part of the claimed design.

1 Claim, 11 Drawing Sheets



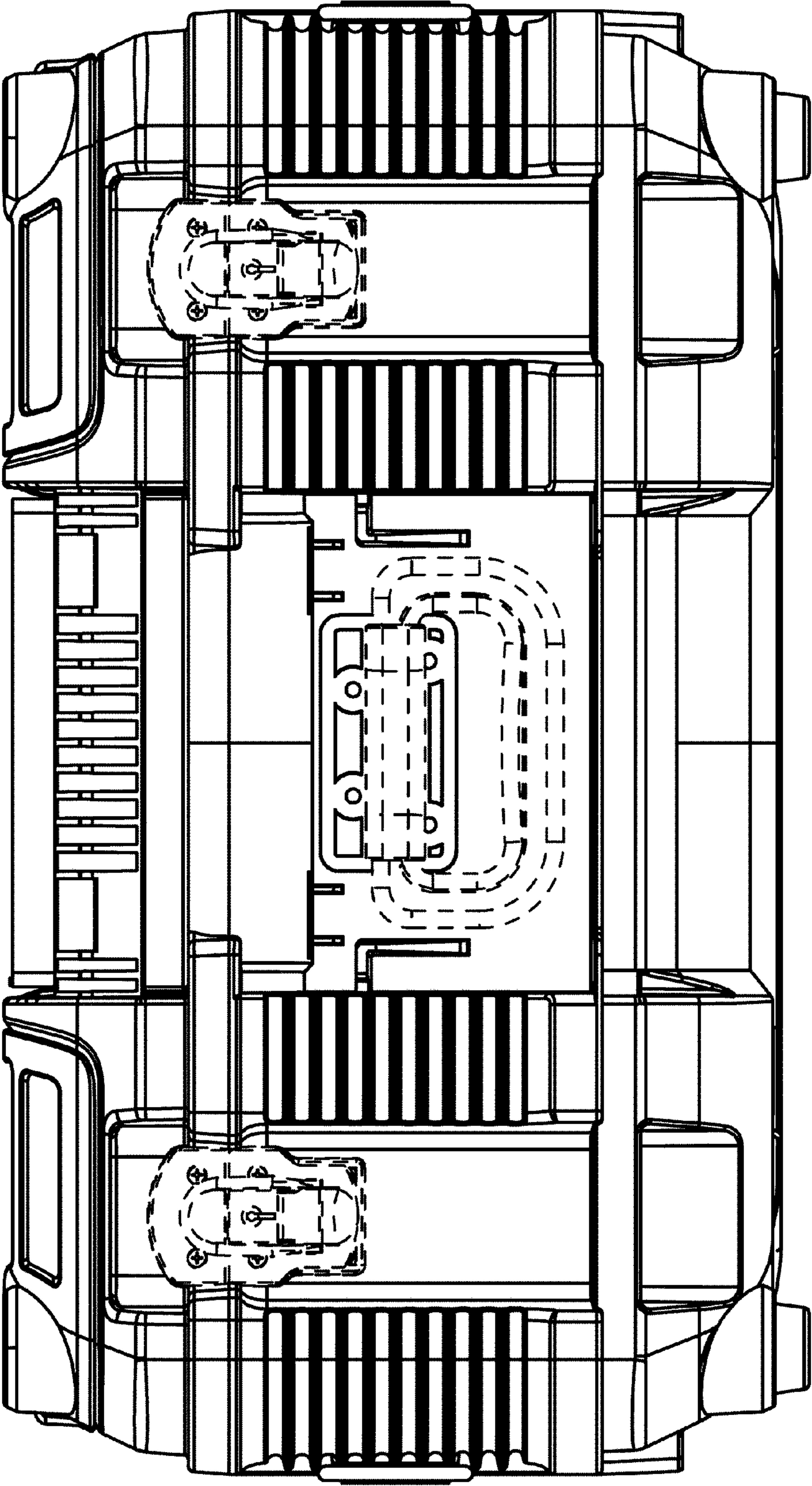


FIG. 1

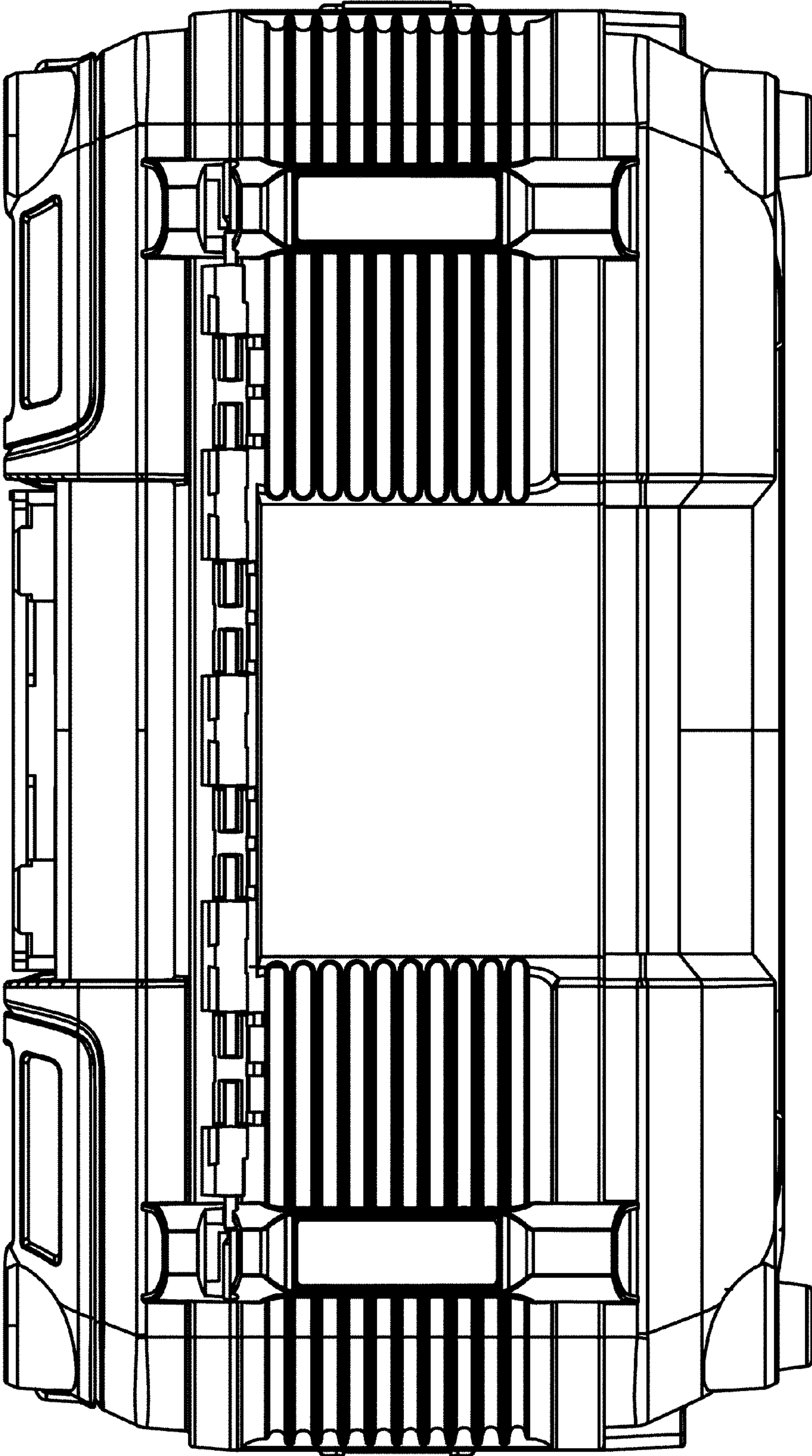


FIG. 2

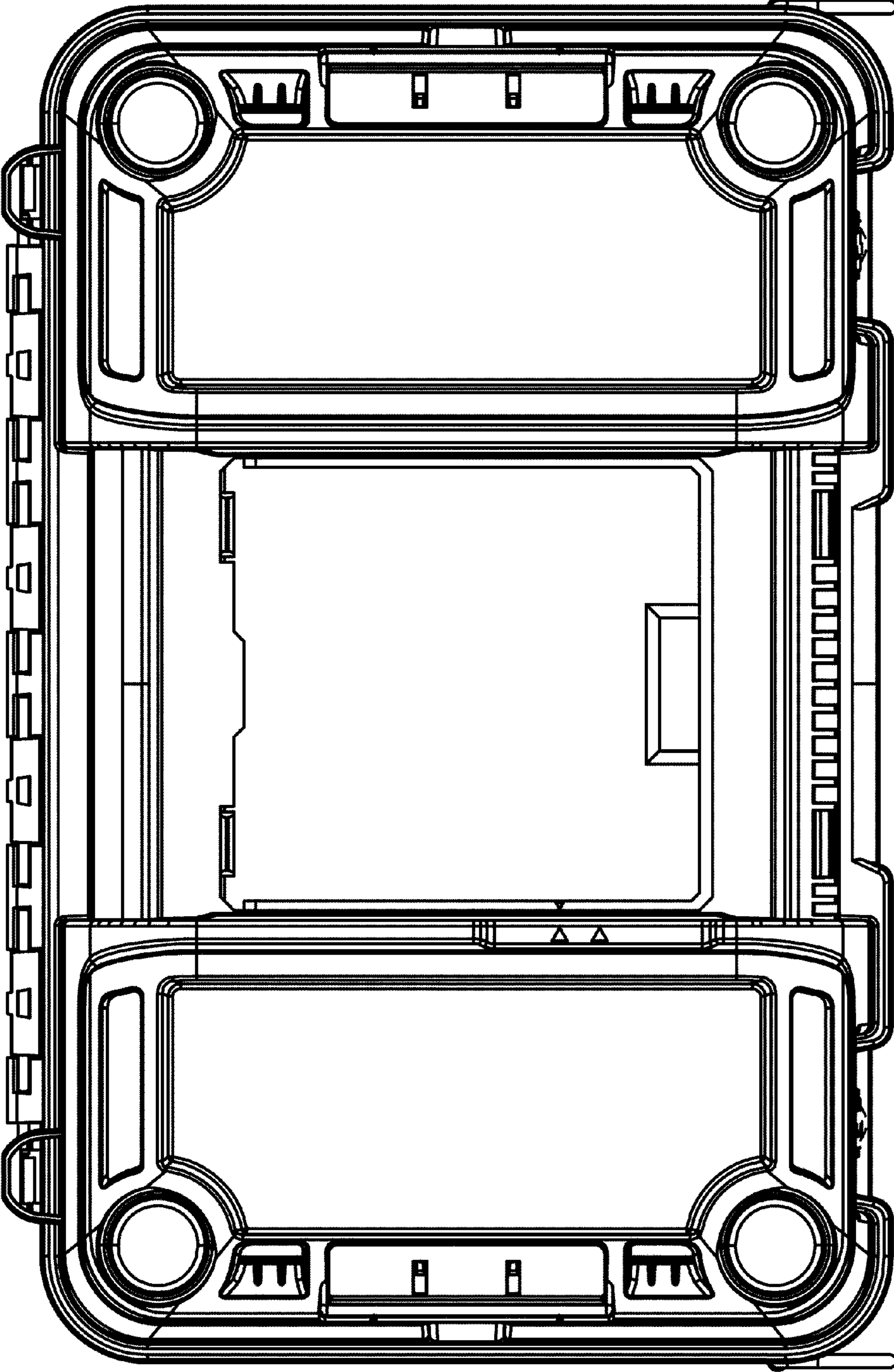


FIG. 3

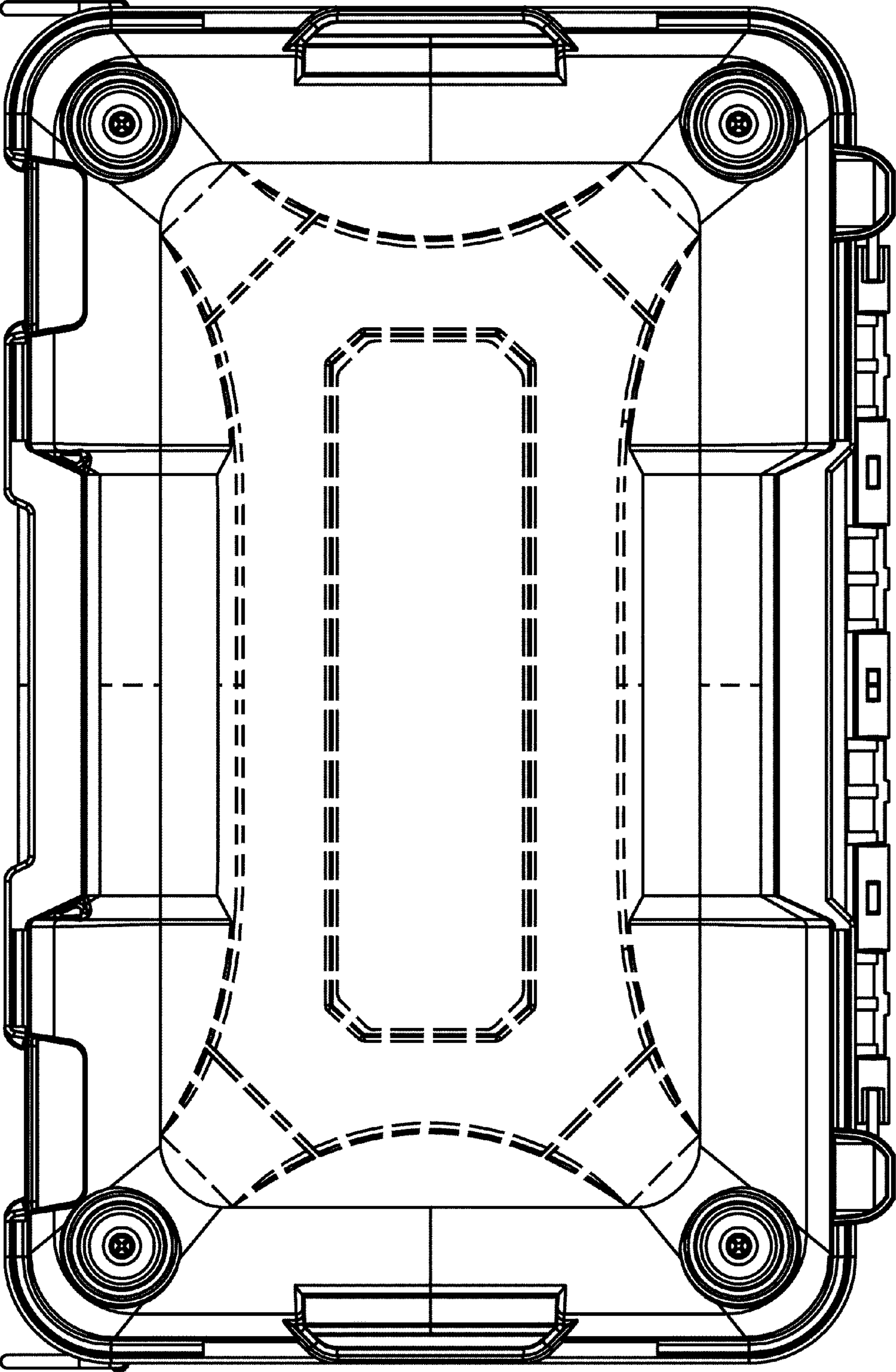


FIG. 4

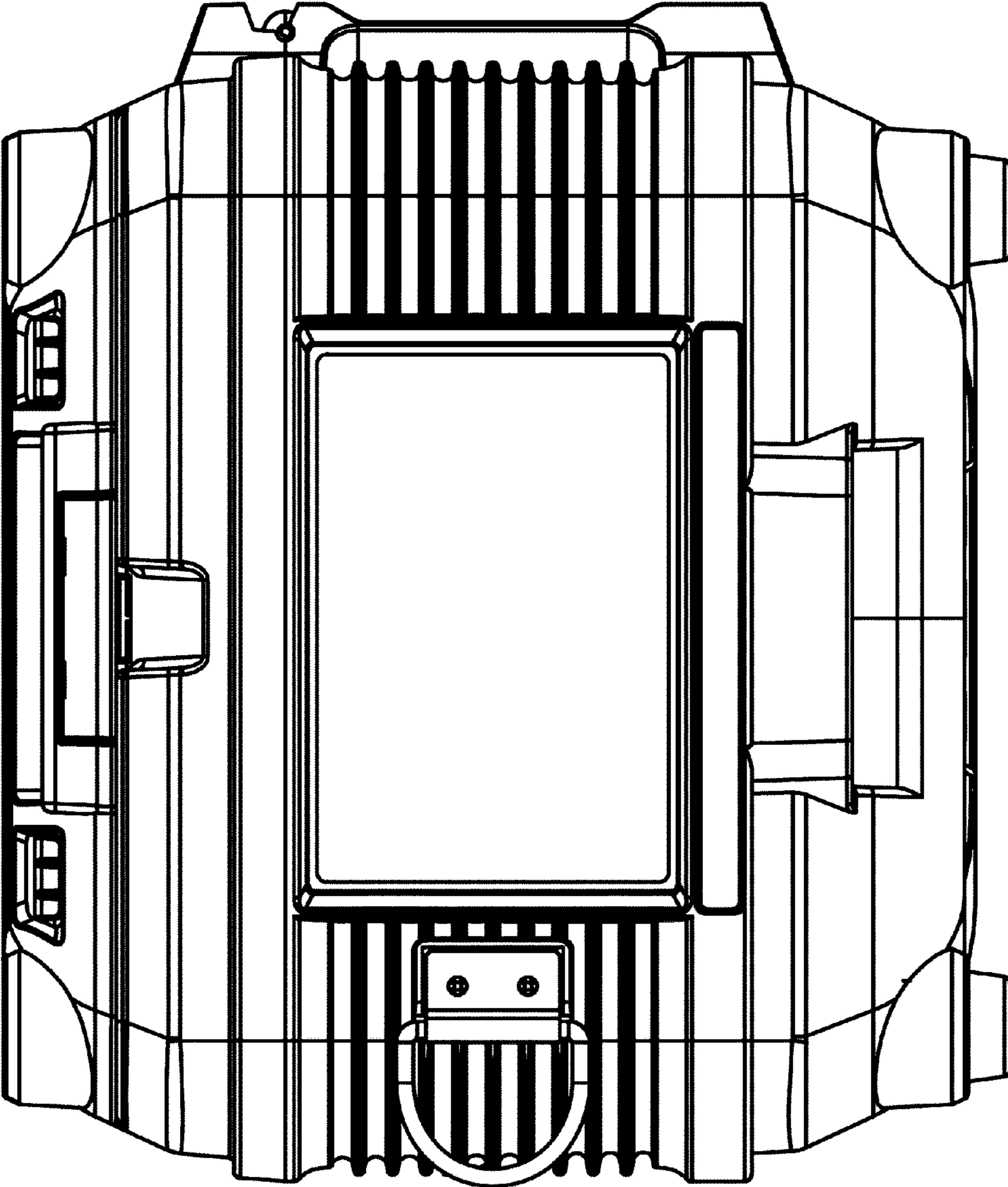


FIG. 5

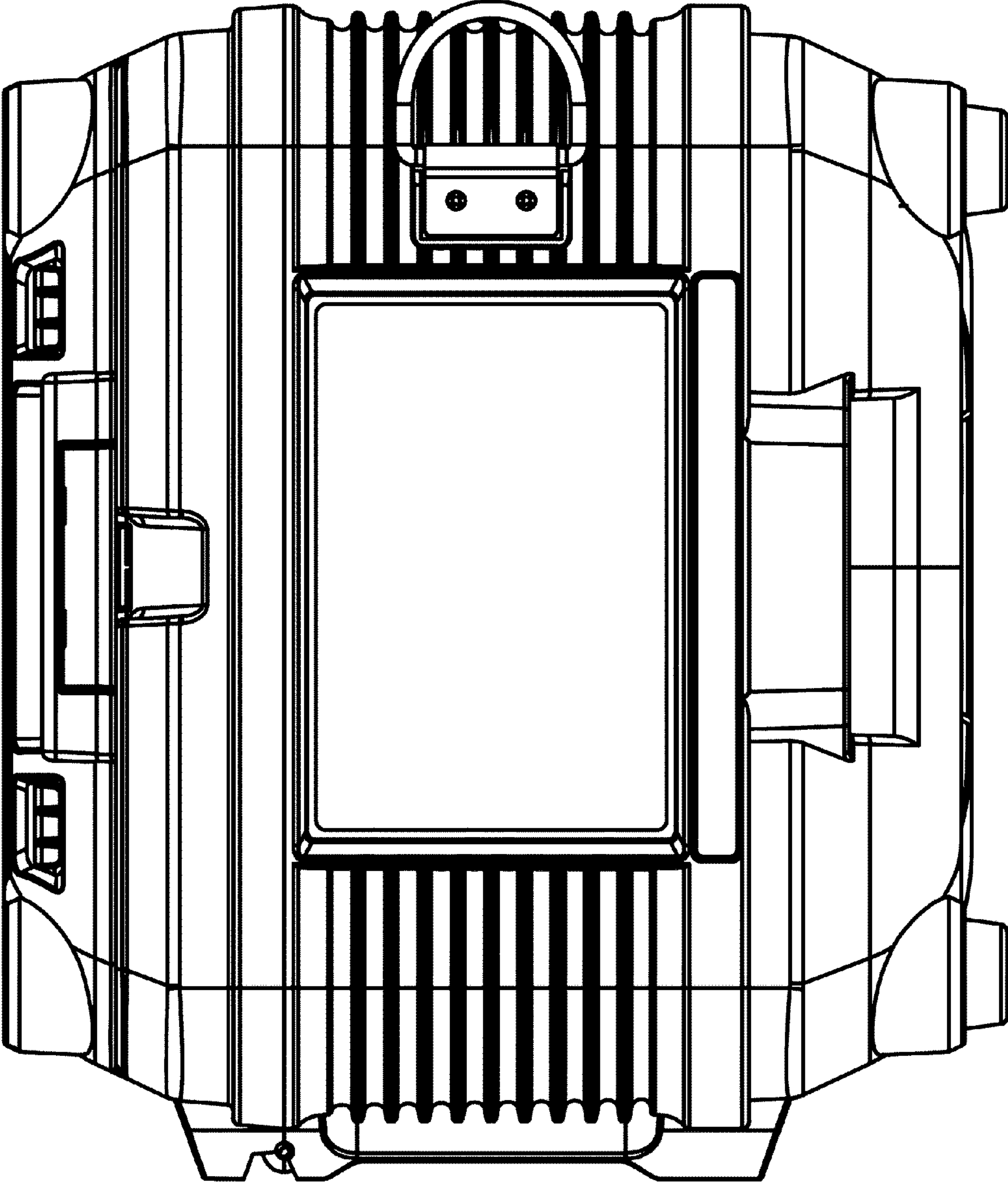


FIG. 6

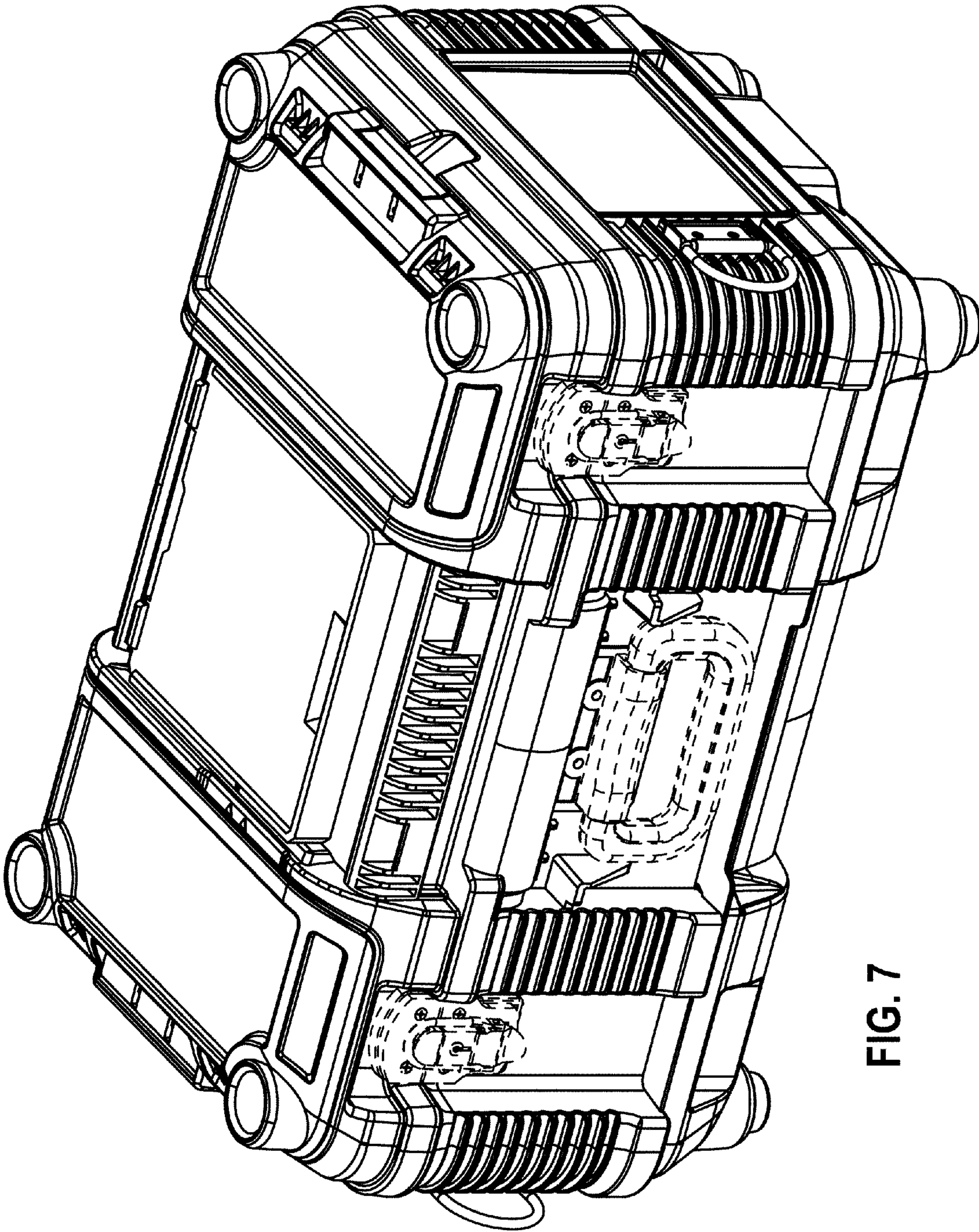


FIG. 7

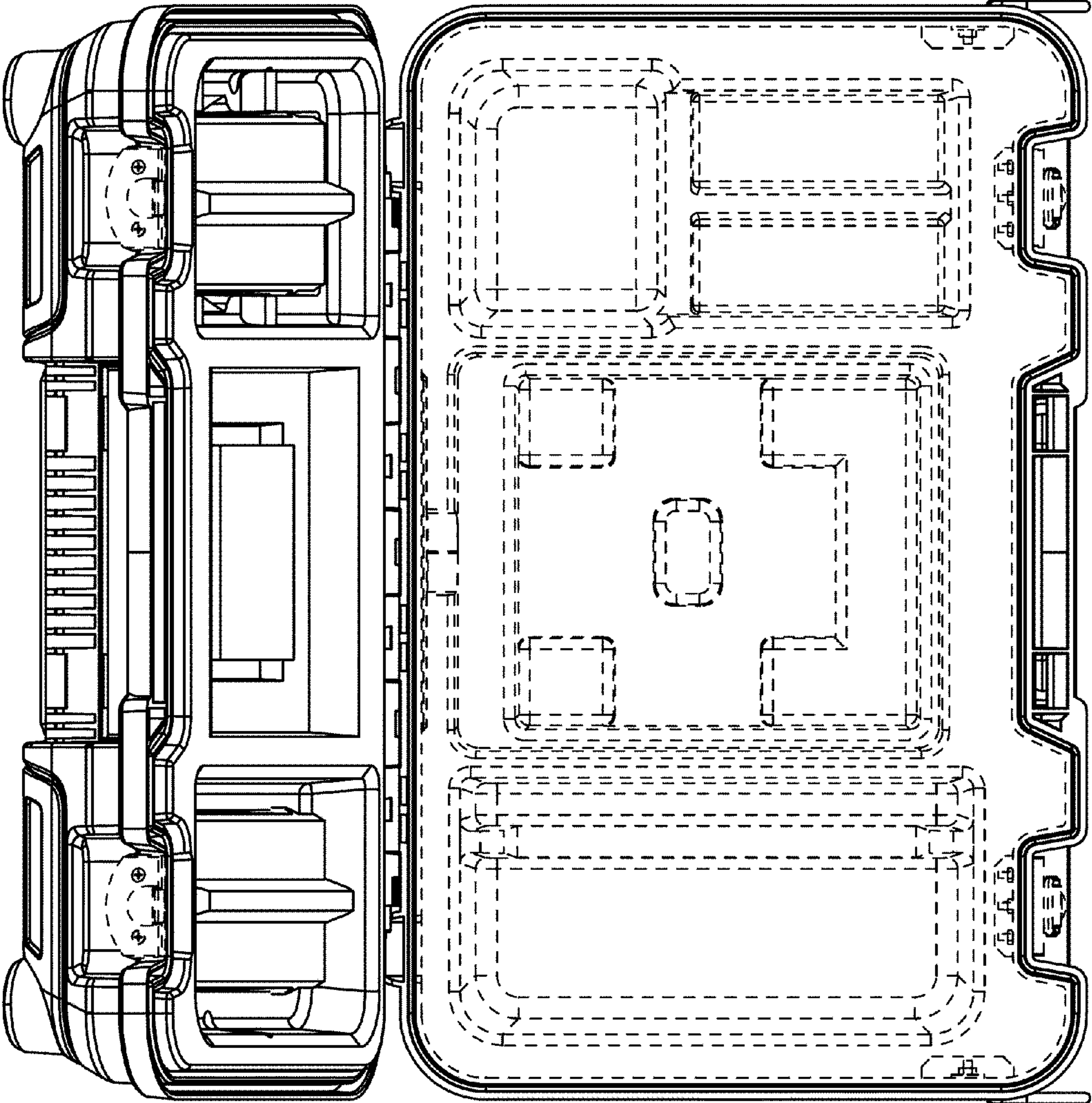


FIG. 8

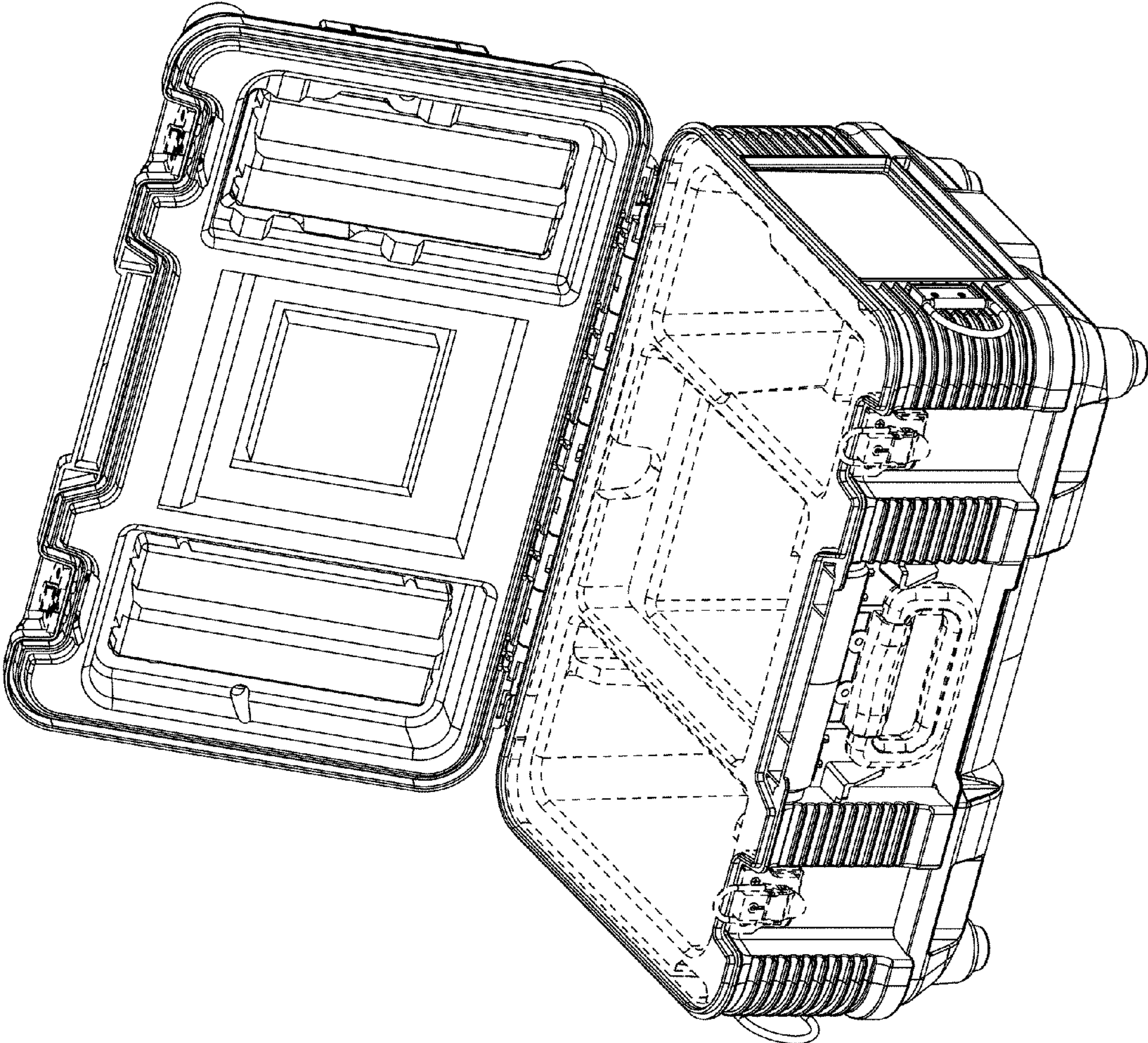


FIG. 9

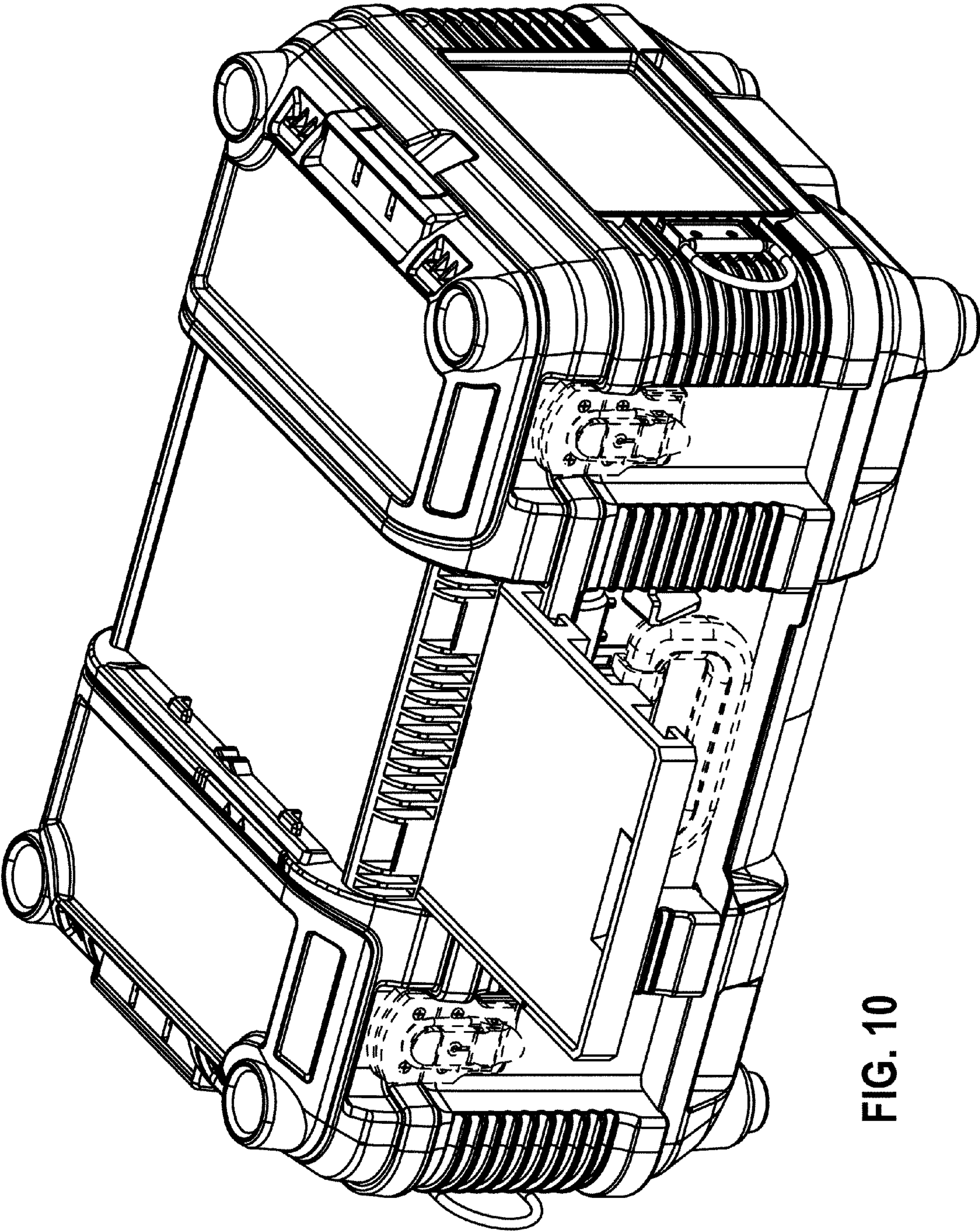


FIG. 10

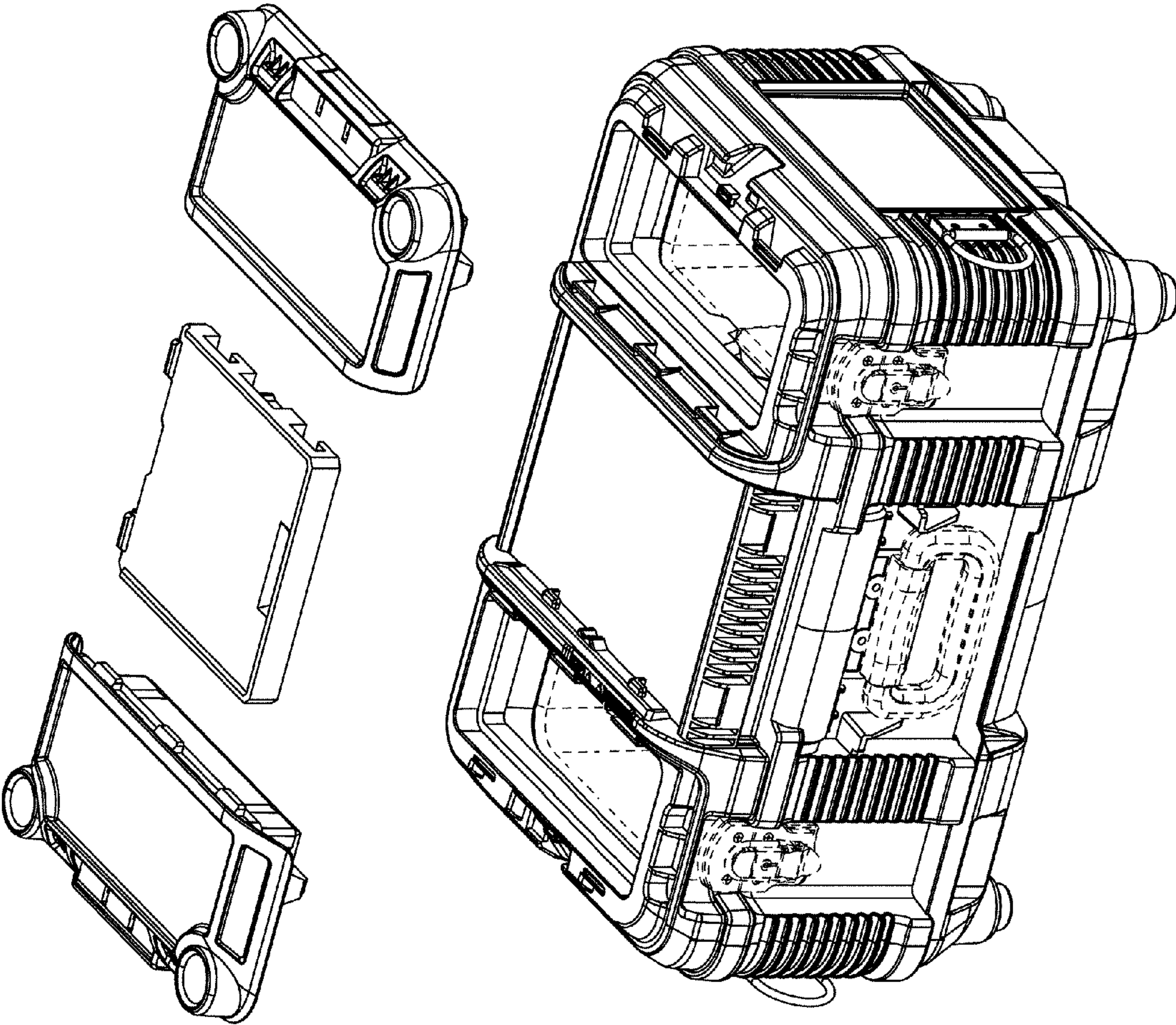


FIG. 11