



US00D652208S

(12) **United States Design Patent**  
**Fahrendorff et al.**

(10) **Patent No.:** **US D652,208 S**  
(45) **Date of Patent:** **\*\* Jan. 17, 2012**

(54) **HOLSTER**

(75) Inventors: **Anders Fahrendorff**, Ottawa (CA);  
**Andrew David Lowe**, Unionville (CA);  
**Todd Andrew Wood**, Guelph (CA)

(73) Assignee: **Research In Motion Limited**, Waterloo,  
Ontario (CA)

(\*\*) Term: **14 Years**

(21) Appl. No.: **29/377,249**

(22) Filed: **Oct. 19, 2010**

(51) **LOC (9) Cl.** ..... **03-01**

(52) **U.S. Cl.** ..... **D3/218**

(58) **Field of Classification Search** ..... D3/201,  
D3/215-219, 226, 269, 272-273, 265, 247-249;  
206/305, 320; 455/90, 92, 42; 379/455;  
224/250, 666, 674-677, 680-683, 240, 901;  
D14/496, 156, 138, 250, 253

See application file for complete search history.

(56) **References Cited**

U.S. PATENT DOCUMENTS

D382,996 S *	9/1997	Kopel .....	D3/218
D453,417 S *	2/2002	Badillo et al. ....	D3/218
D534,720 S *	1/2007	Infanti et al. ....	D3/218
D606,299 S *	12/2009	Boomhour et al. ....	D3/201
D606,301 S *	12/2009	Hofer et al. ....	D3/218

\* cited by examiner

*Primary Examiner* — Catheri Oliver

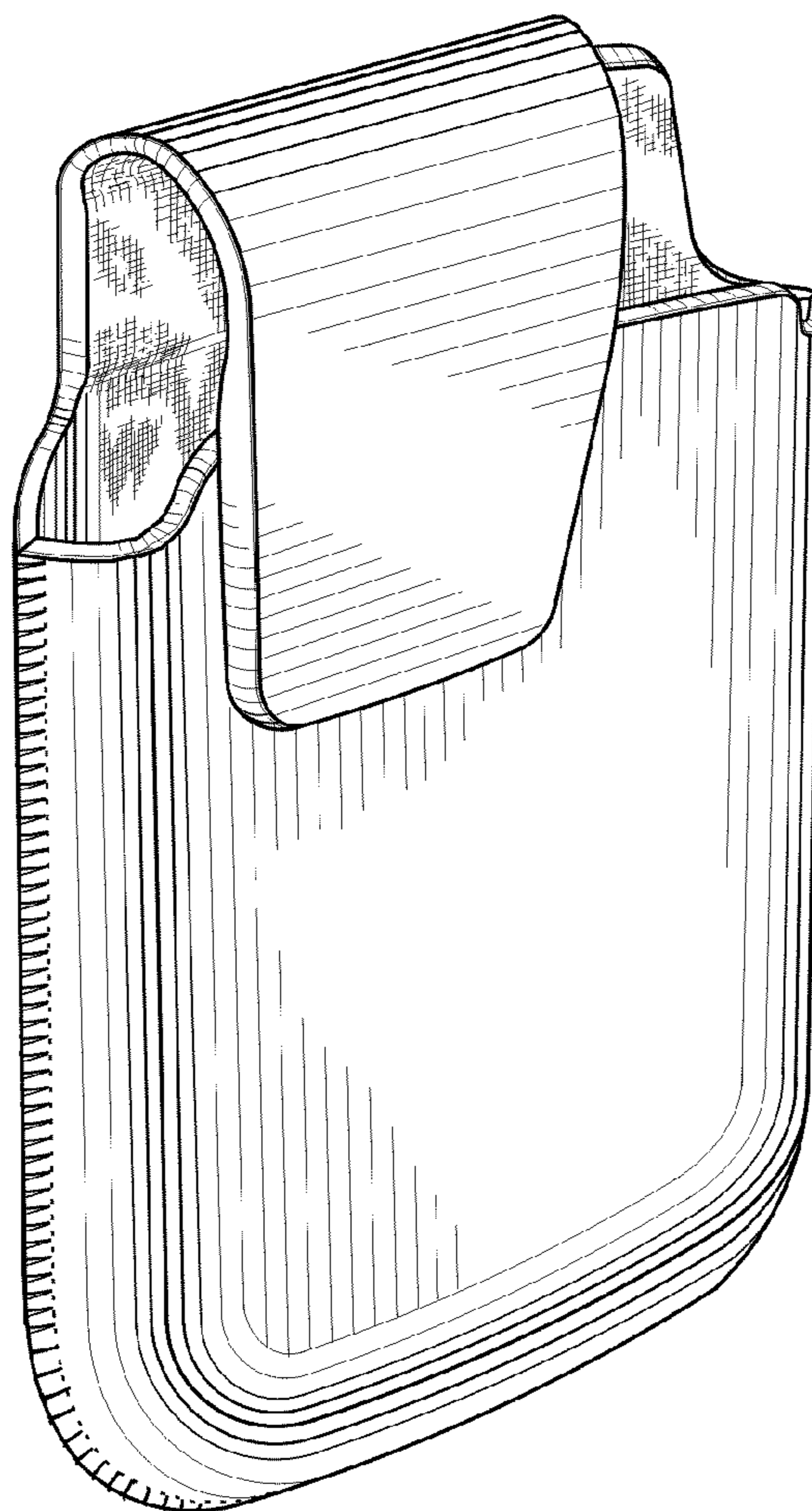
(57) **CLAIM**

We claim the ornamental design for a holster, as shown and described.

**DESCRIPTION**

FIG. 1 is a front perspective view of a holster;  
FIG. 2 is a rear perspective view of the holster;  
FIG. 3 is a front elevational view thereof;  
FIG. 4 is a rear elevational view thereof;  
FIG. 5 is a right elevational view thereof;  
FIG. 6 is a left elevational view thereof;  
FIG. 7 is a top plan view thereof; and,  
FIG. 8 is a bottom plan view thereof.

**1 Claim, 6 Drawing Sheets**



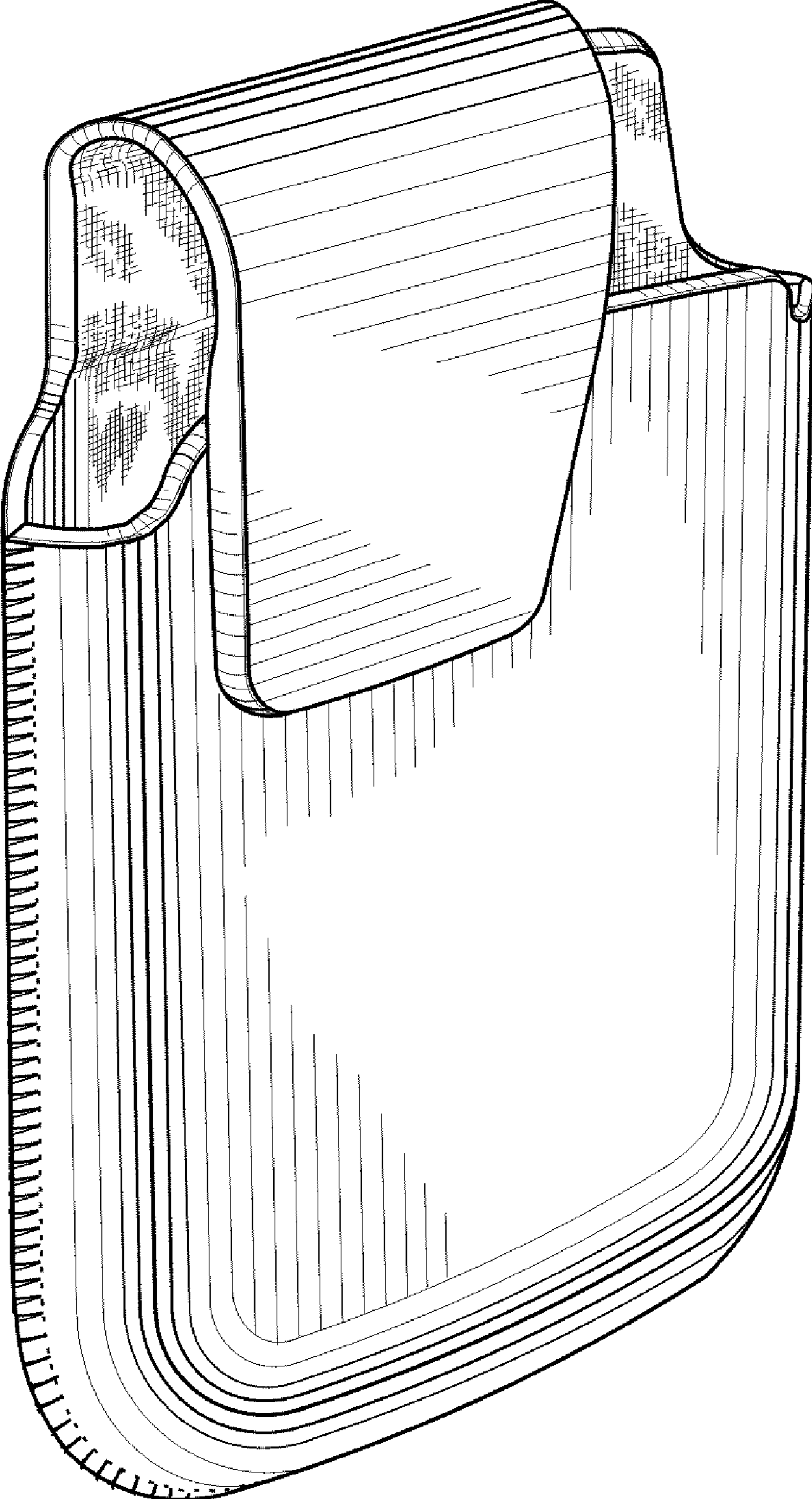


FIG. 1

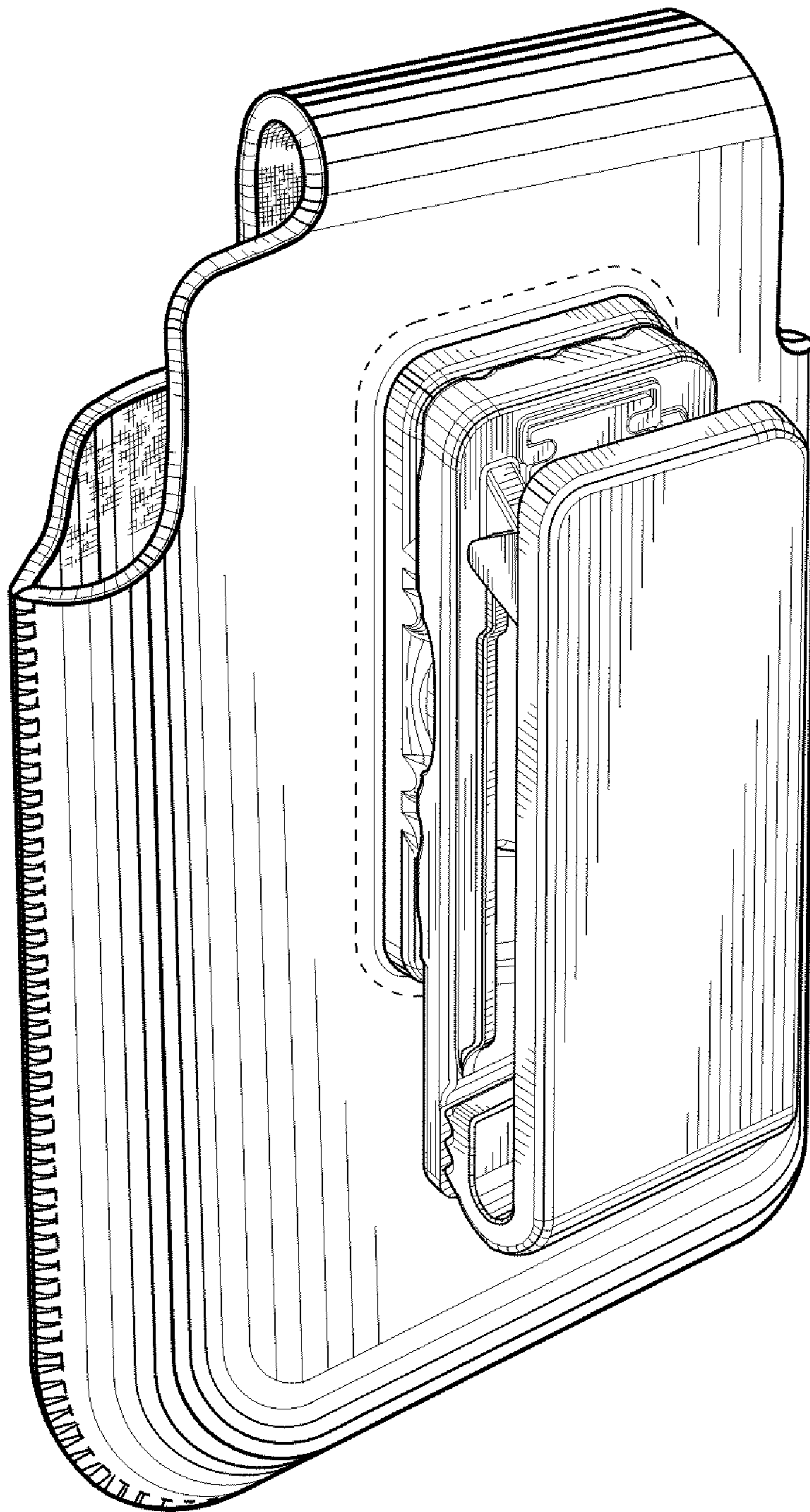


FIG.2

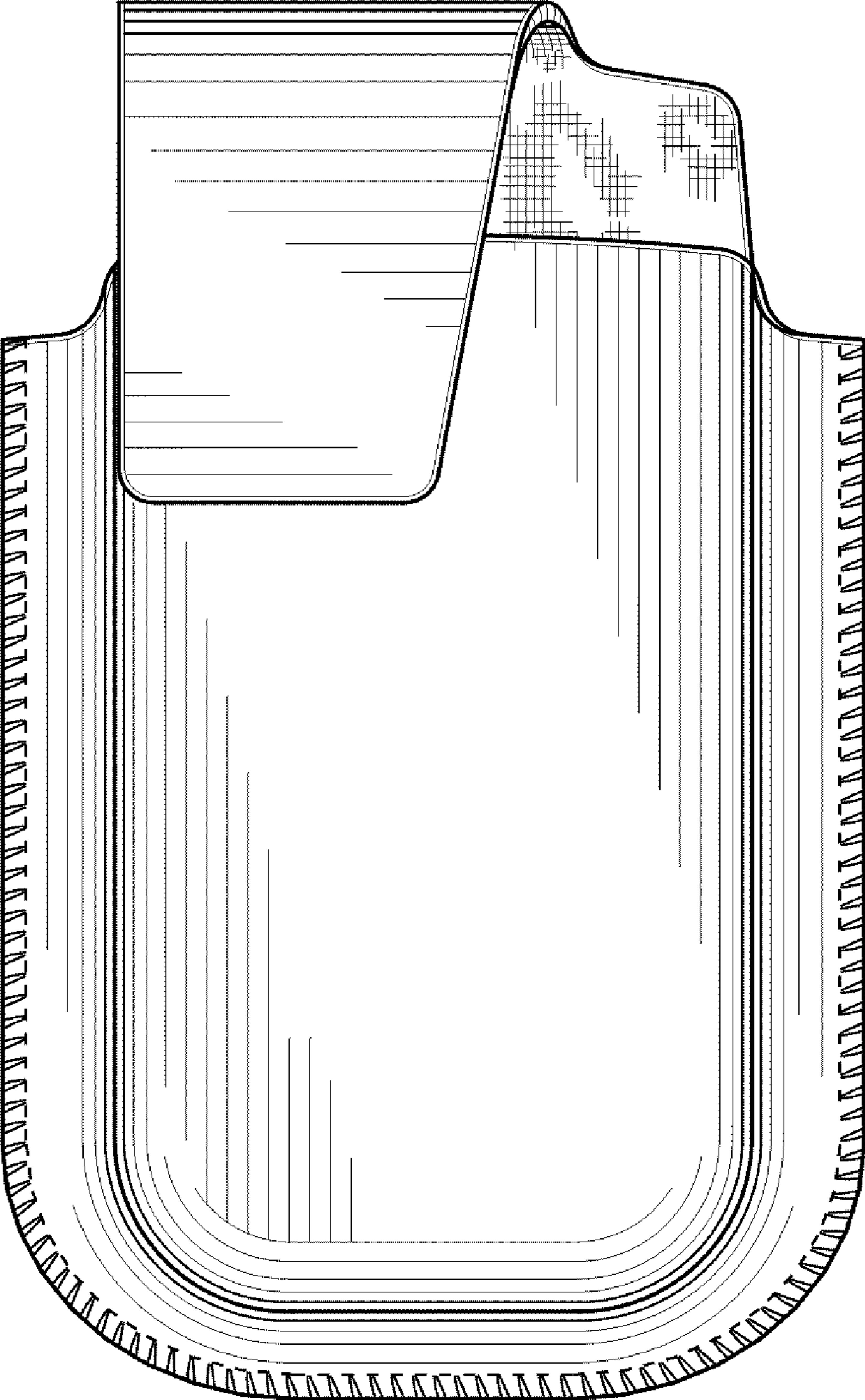


FIG.3

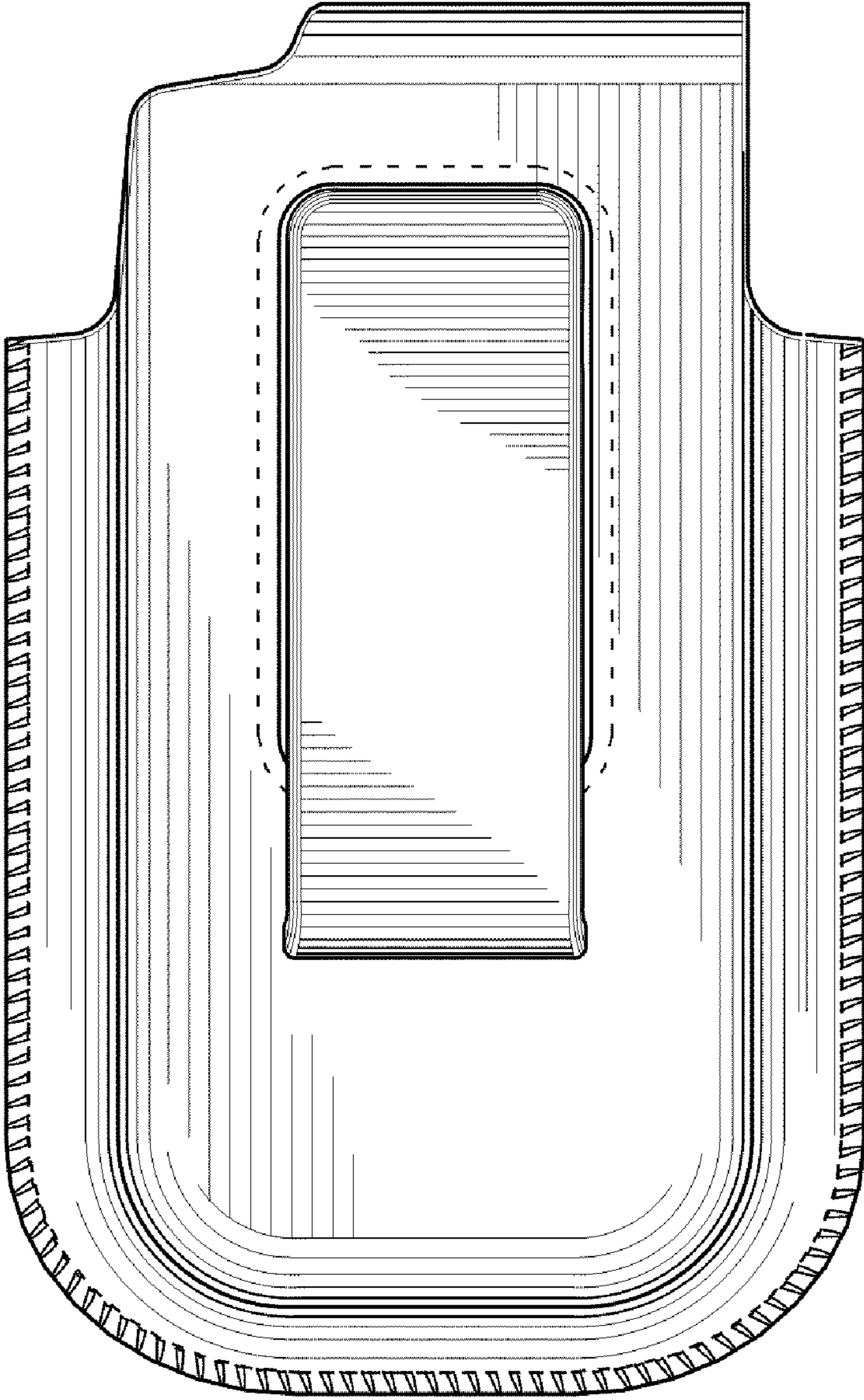


FIG.4

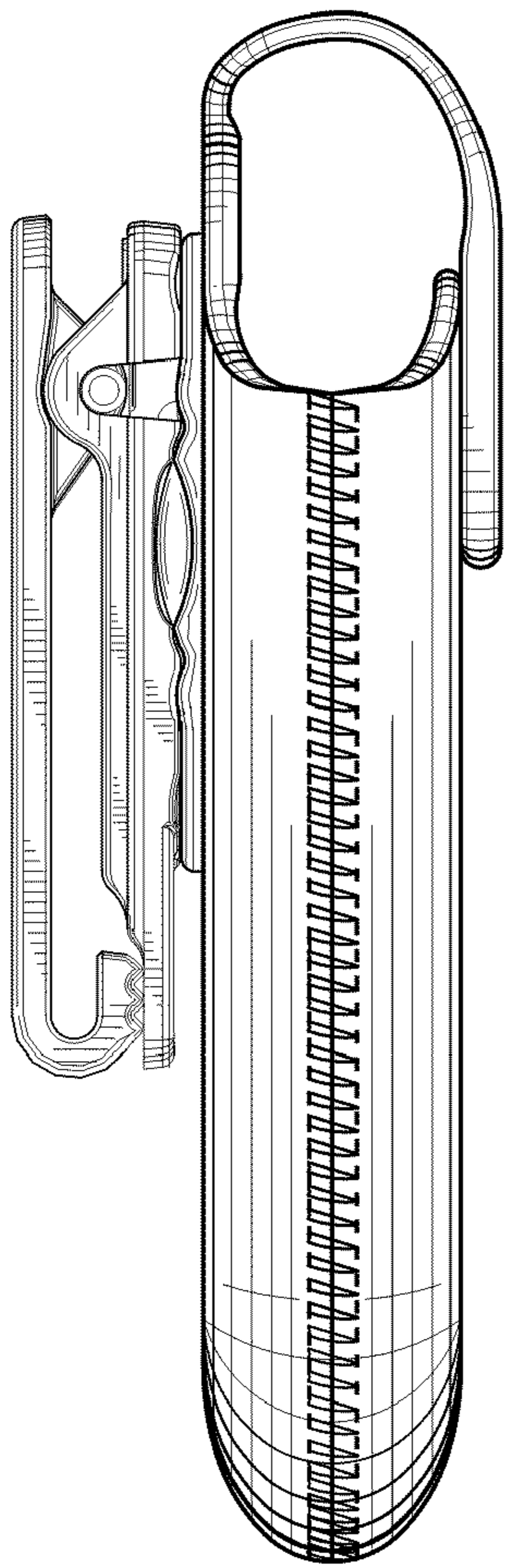


FIG. 5

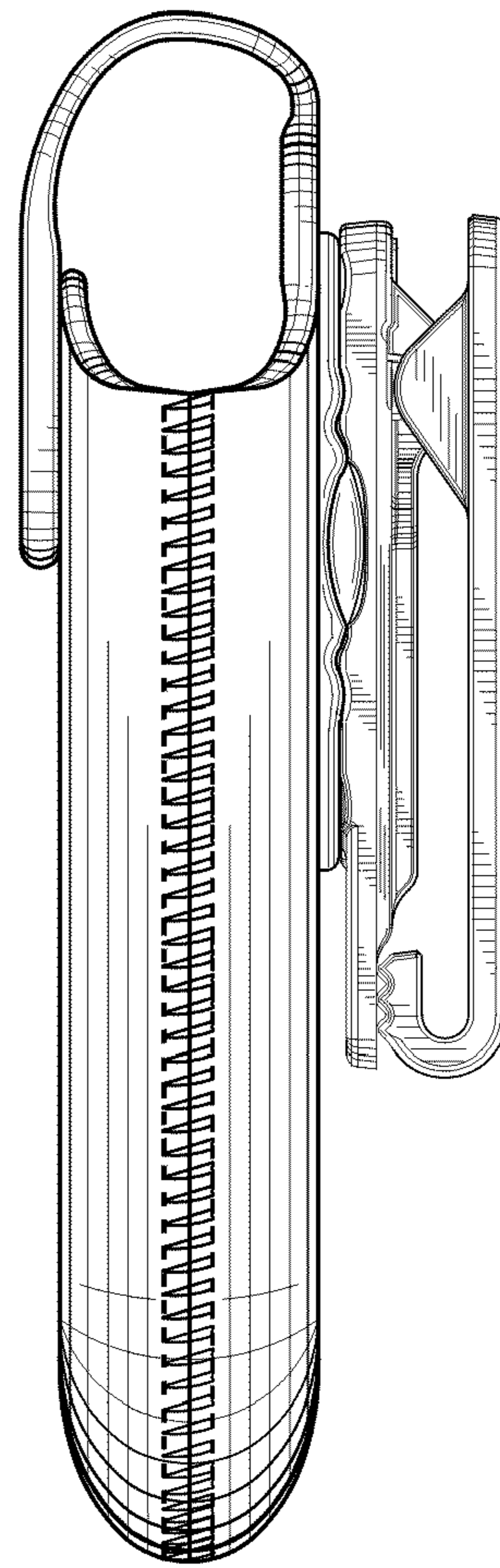


FIG. 6

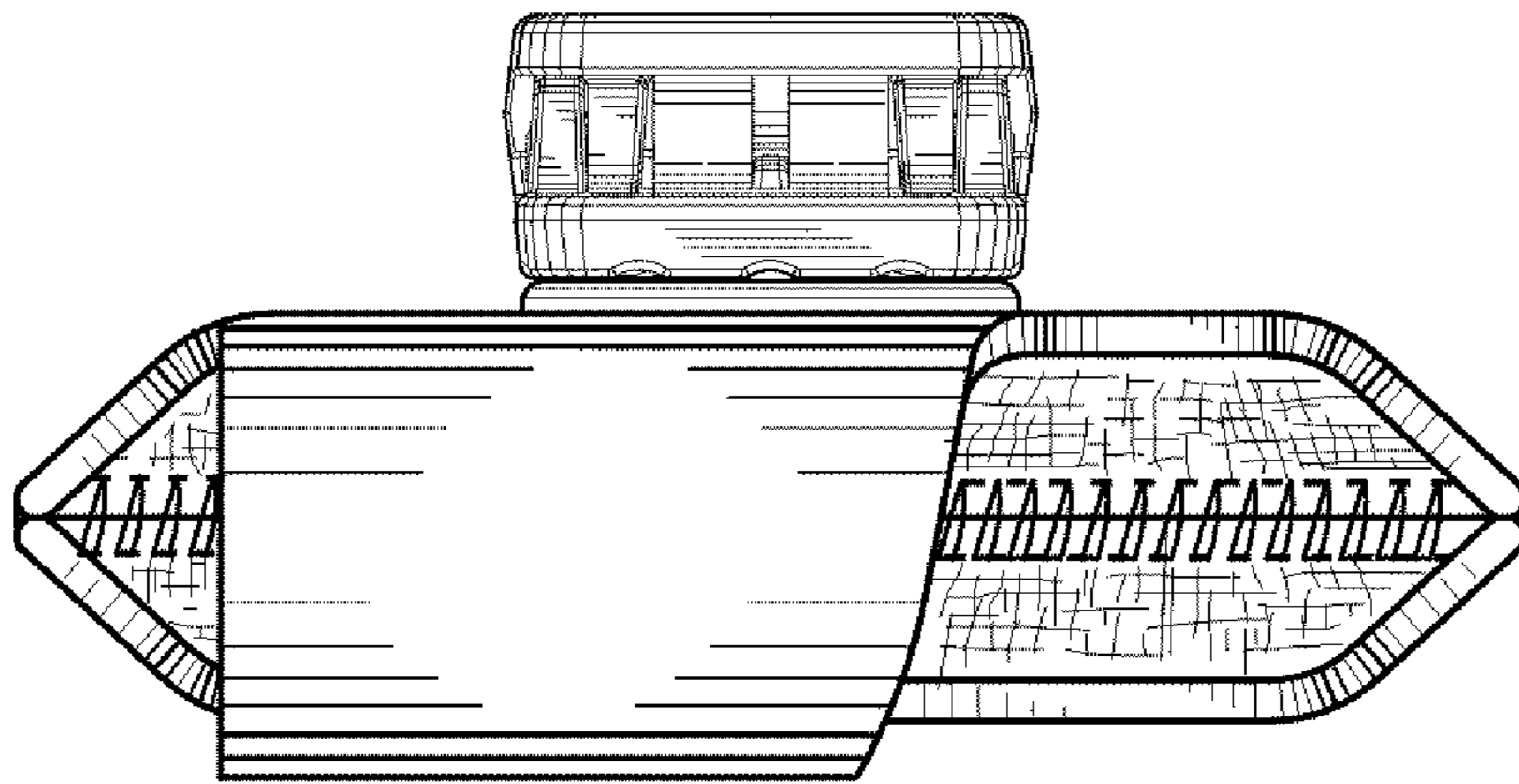


FIG. 7

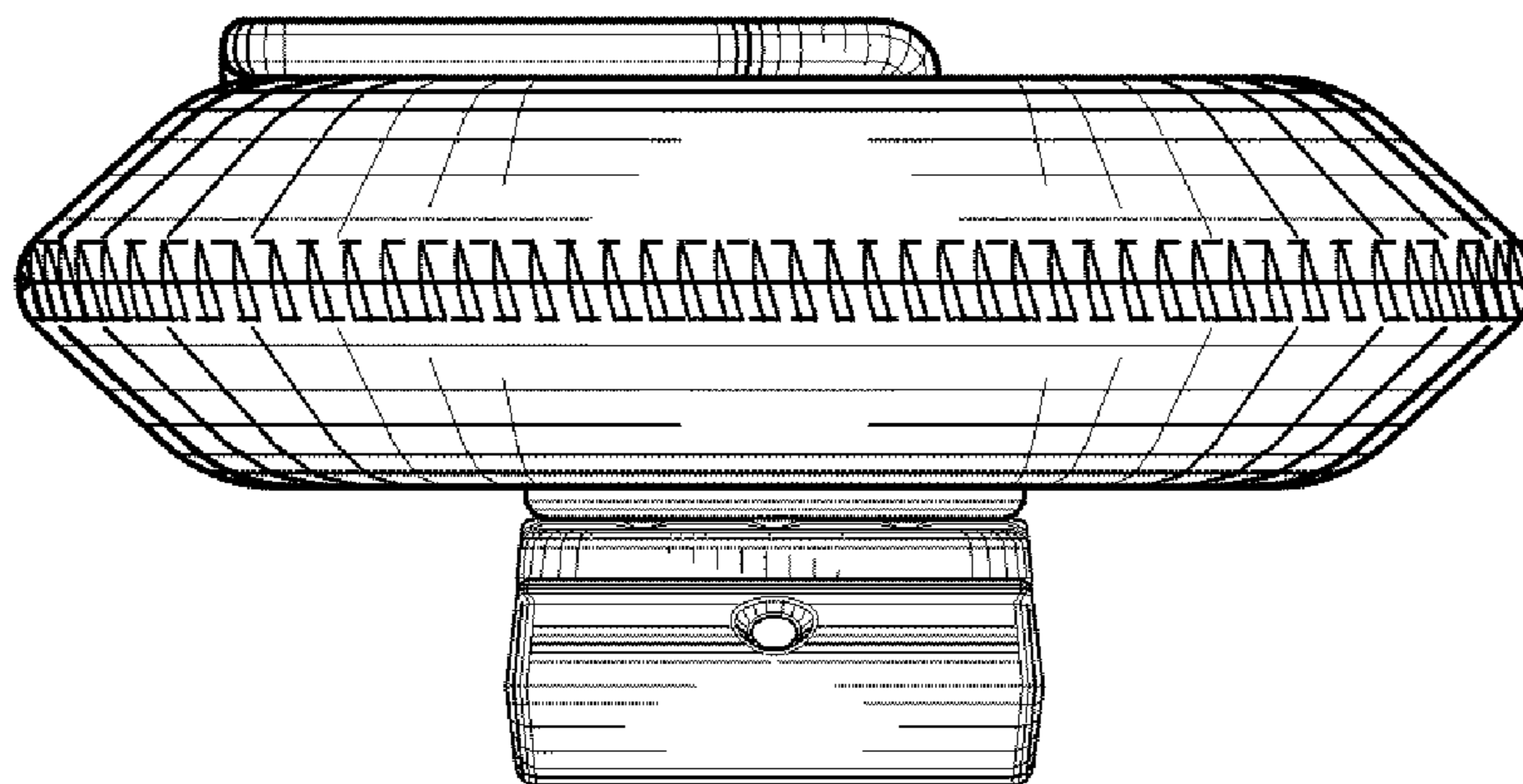


FIG. 8