



US00D652207S

(12) **United States Design Patent**
Hedaya

(10) **Patent No.:** **US D652,207 S**
(45) **Date of Patent:** **** Jan. 17, 2012**

(54) **COSTUME BACKPACK**

(75) Inventor: **Evan Hedaya**, Brooklyn, NY (US)

(73) Assignee: **Fast Forward LLC**, New York, NY (US)

(**) Term: **14 Years**

(21) Appl. No.: **29/356,865**

(22) Filed: **Mar. 3, 2010**

Related U.S. Application Data

(63) Continuation-in-part of application No. 29/348,798, filed on Feb. 4, 2010.

(51) **LOC (9) Cl.** **03-01**

(52) **U.S. Cl.** **D3/217**

(58) **Field of Classification Search** D3/214,
D3/215, 216, 217, 270; D2/830; 224/153,
224/576, 577, 578

See application file for complete search history.

(56) **References Cited**

U.S. PATENT DOCUMENTS

4,662,550	A *	5/1987	O'Donnell	224/657
5,255,834	A *	10/1993	Bendersky	224/657
D425,697	S *	5/2000	Chapman	D3/216
D448,923	S *	10/2001	Willingham et al.	D3/216

6,510,974	B2 *	1/2003	Willingham et al.	224/657
D469,952	S *	2/2003	Daglow et al.	D3/216
D527,892	S *	9/2006	Yang	D3/217
D548,455	S *	8/2007	Aliberti et al.	D3/216
D557,009	S *	12/2007	Elmberg et al.	D3/217
D611,680	S *	3/2010	Thomas	D2/830
D619,802	S *	7/2010	Hedaya	D3/216
2002/0166881	A1 *	11/2002	Willingham et al.	224/652
2007/0175939	A1 *	8/2007	Gold et al.	224/576
2008/0035074	A1 *	2/2008	Diez	119/770
2008/0116026	A1 *	5/2008	Bass et al.	190/1

* cited by examiner

Primary Examiner — T. Chase Nelson

(74) *Attorney, Agent, or Firm* — Ostrolenk Faber LLP

(57) **CLAIM**

The ornamental design for a costume backpack, as shown and described.

DESCRIPTION

FIG. 1 is a perspective view of a costume backpack showing my new design; FIG. 2 is a rear elevational view of the costume backpack; FIG. 3 is a front elevational view of the costume backpack; FIG. 4 is a right side view of the costume backpack; FIG. 5 is a left side view of the costume backpack; FIG. 6 is a top elevational view of the costume backpack; and, FIG. 7 is a bottom elevational view of the costume backpack. The broken lines in the drawings illustrate environmental structure and form no part of the design.

1 Claim, 7 Drawing Sheets

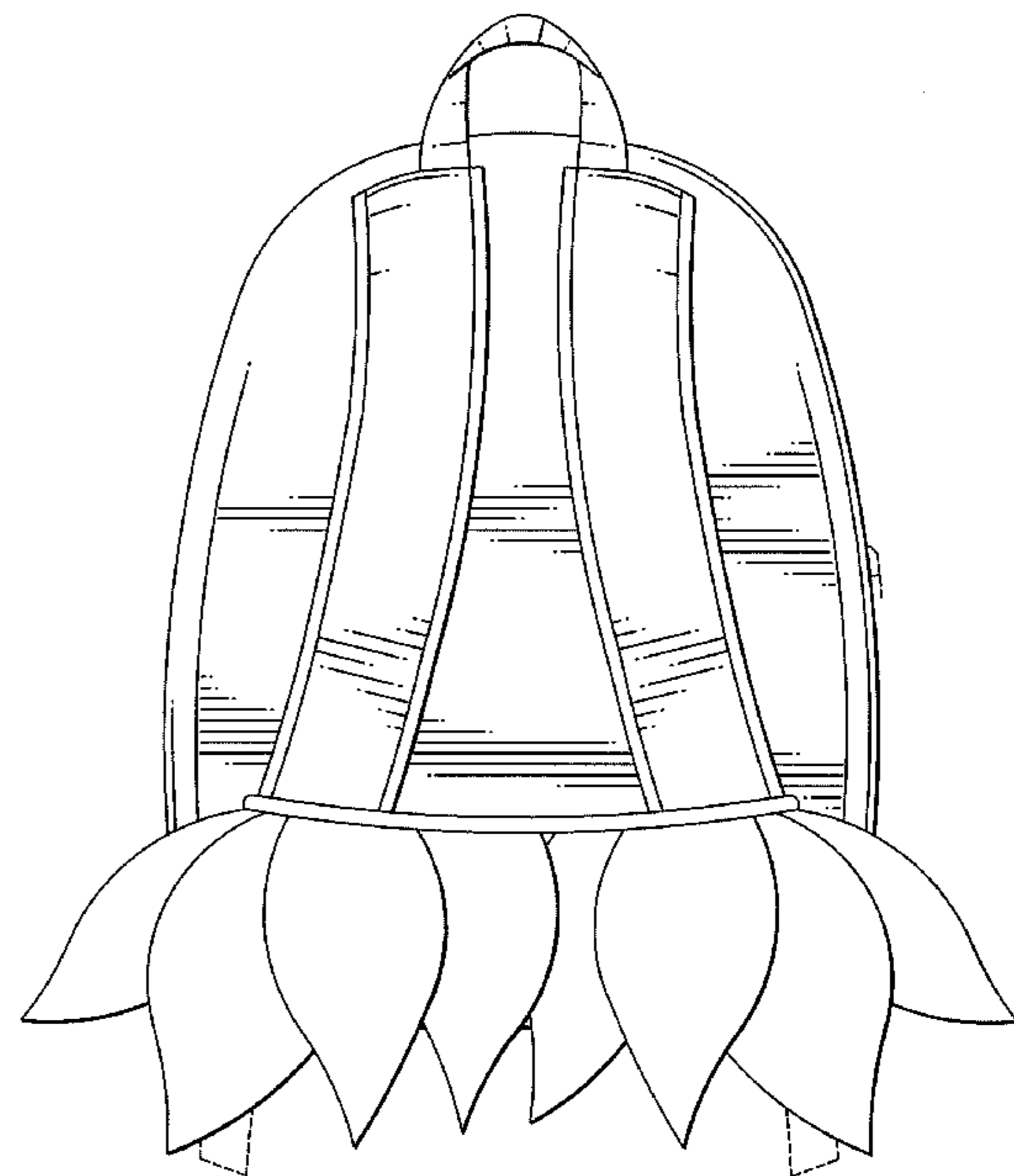
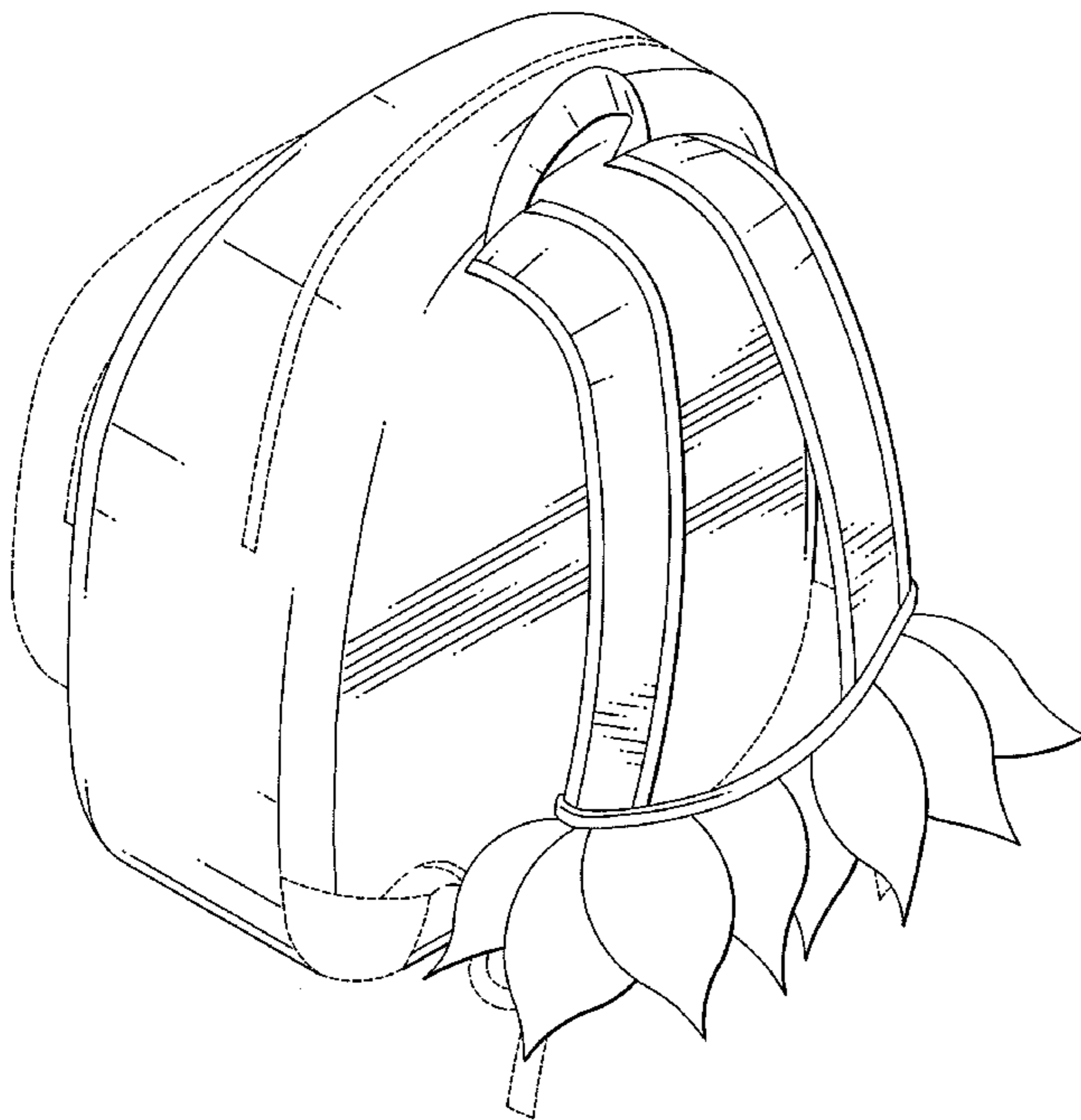




FIG. 1

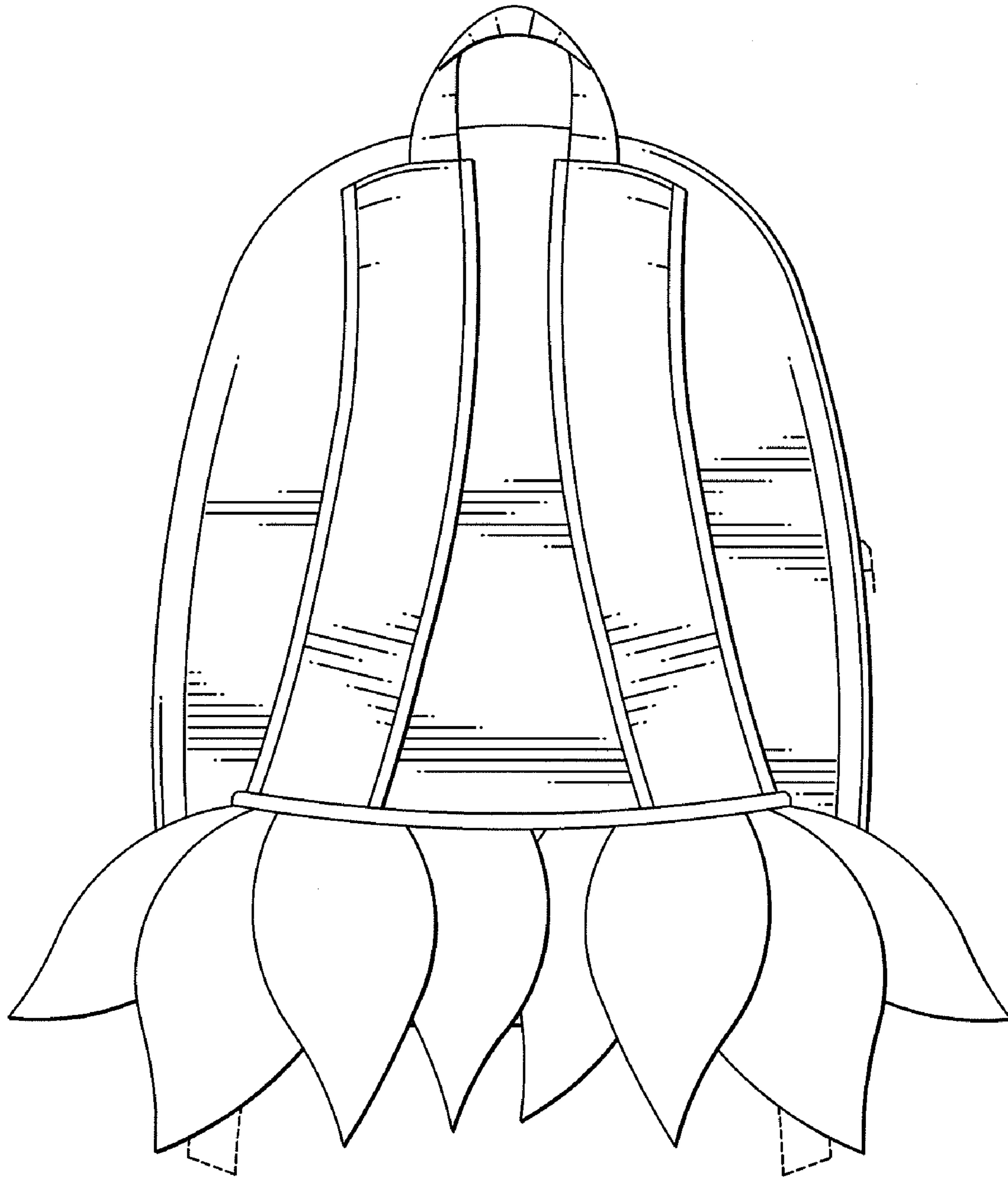


FIG. 2

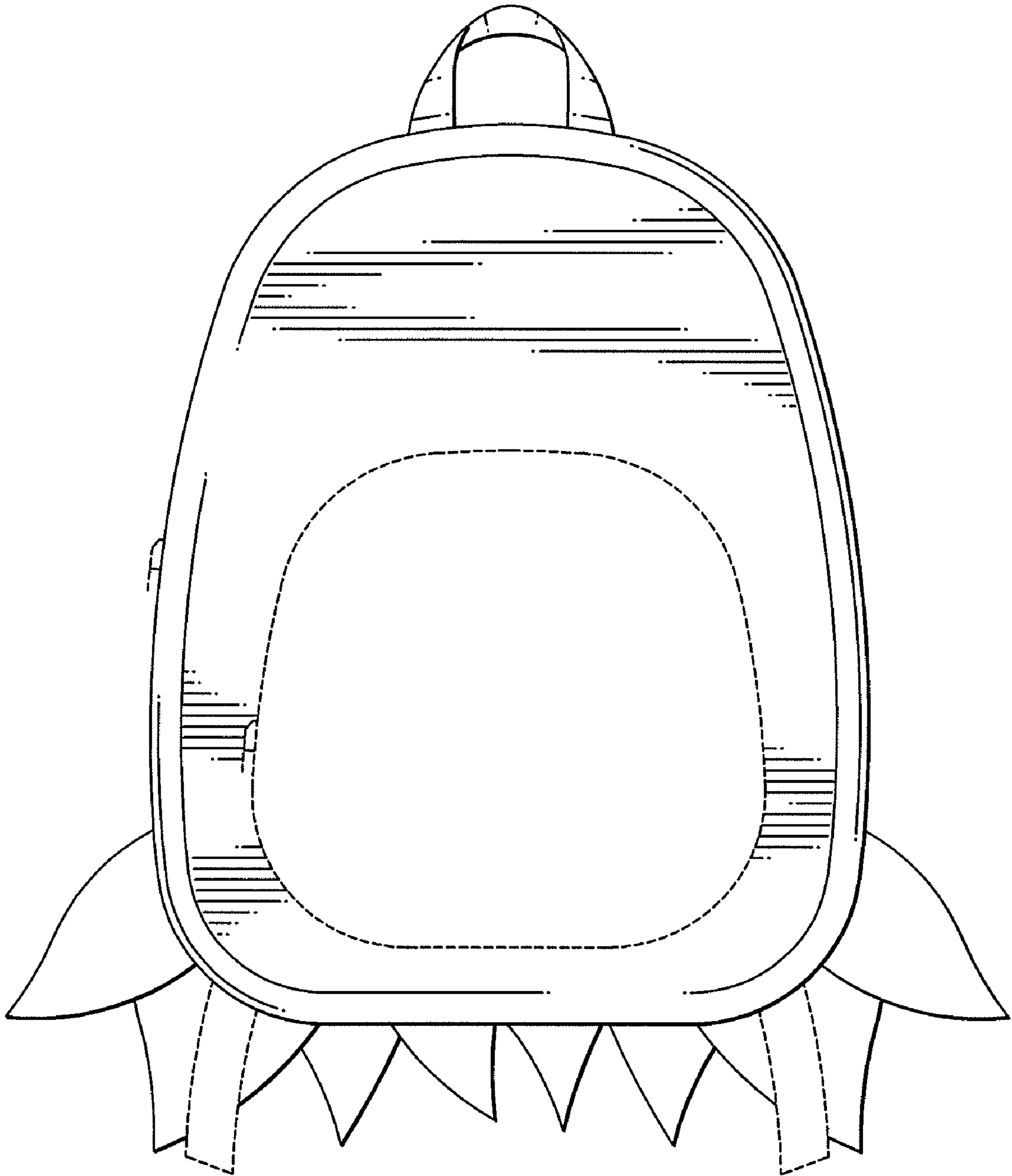


FIG. 3

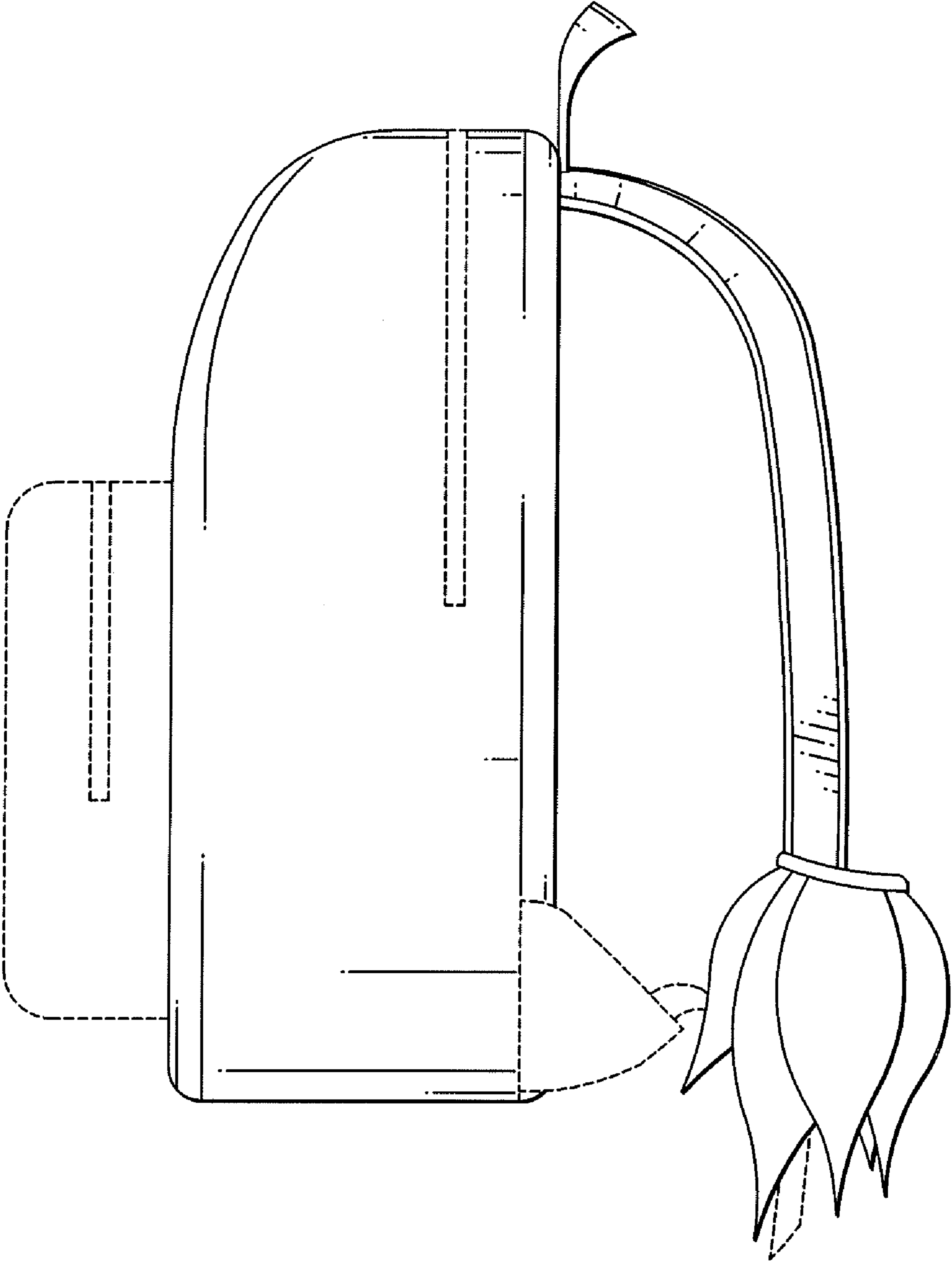


FIG. 4

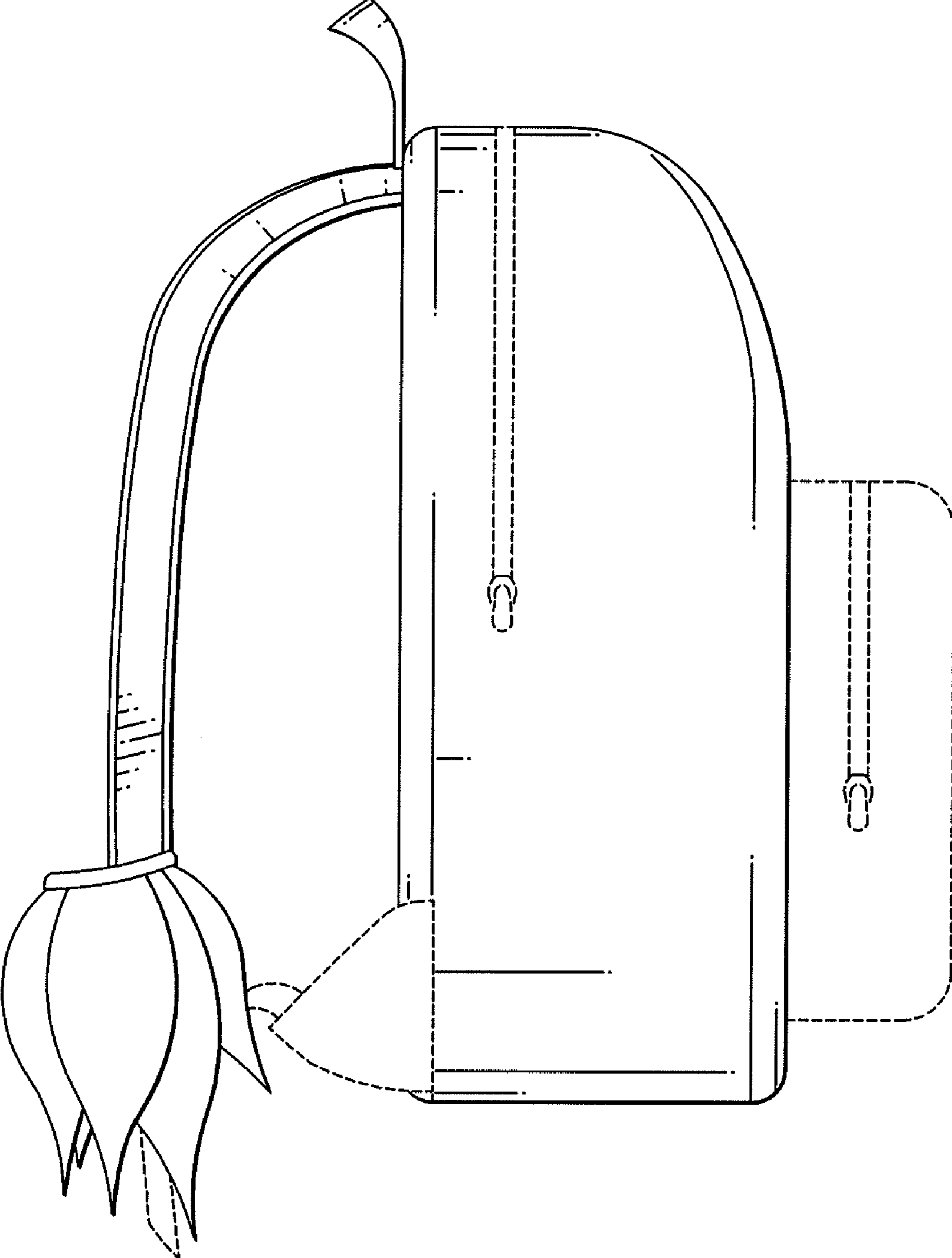


FIG. 5

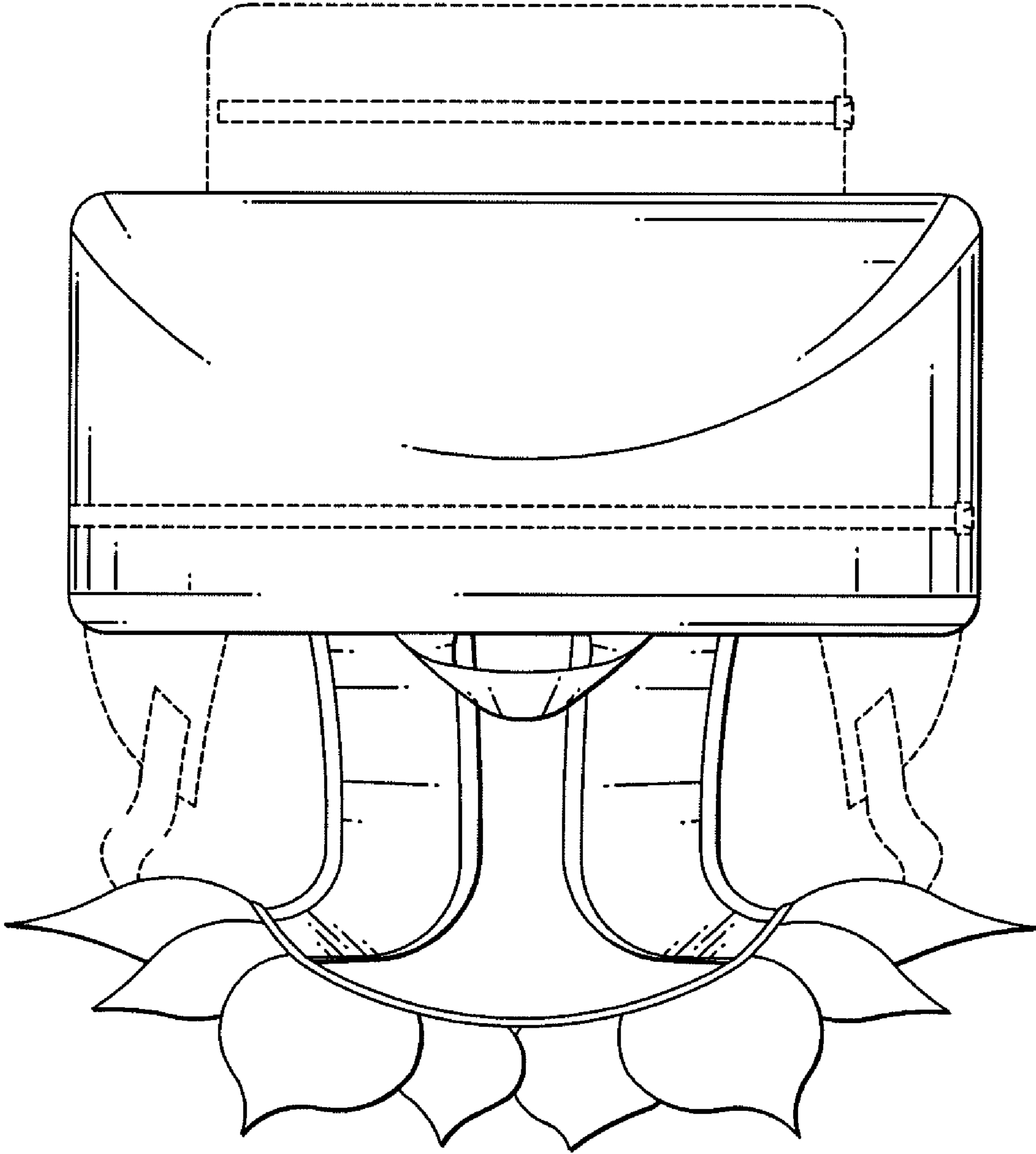


FIG. 6

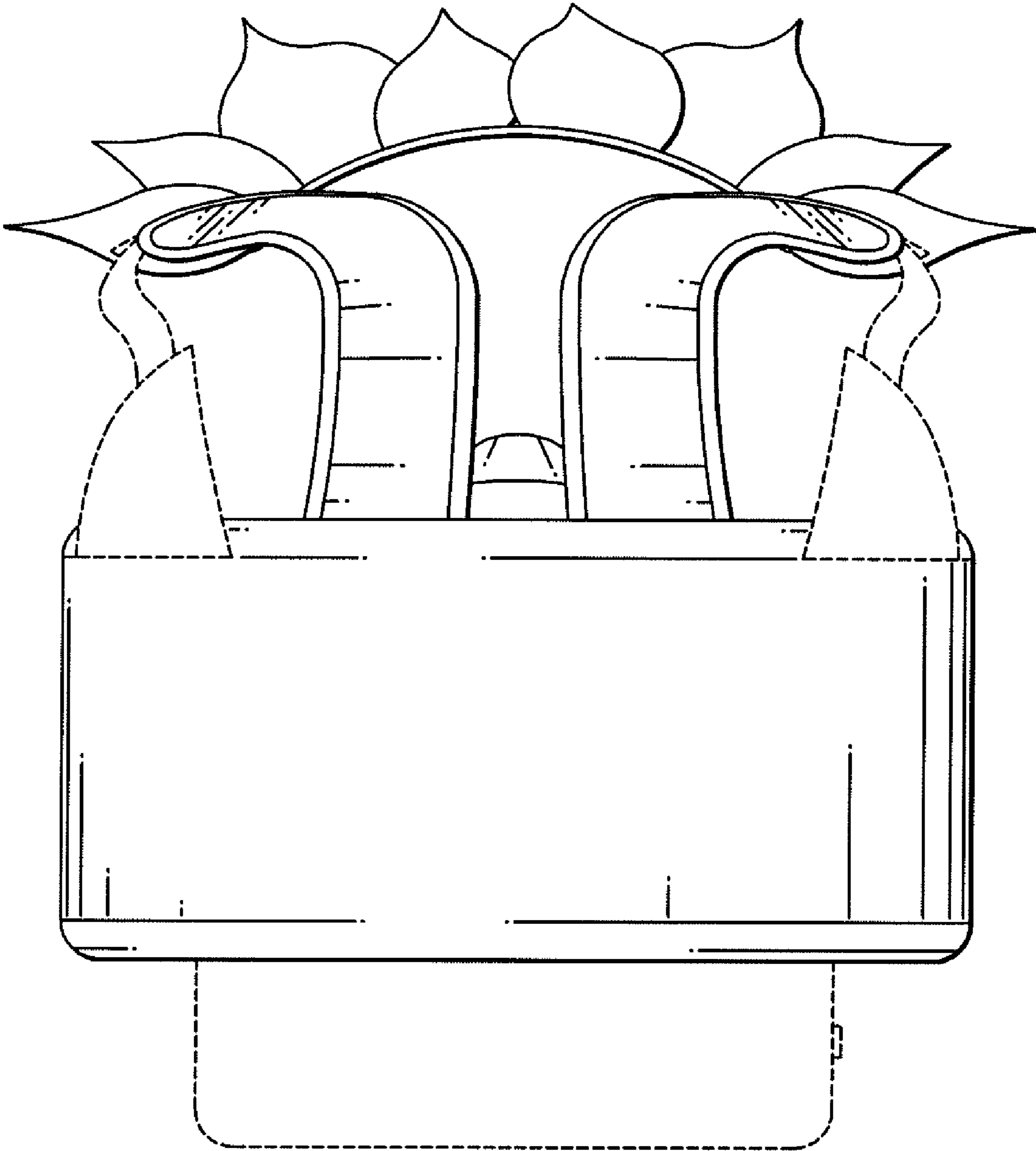


FIG. 7