



US00D652204S

(12) **United States Design Patent**
Lindqvist et al.

(10) **Patent No.:** **US D652,204 S**

(45) **Date of Patent:** **** Jan. 17, 2012**

(54) **PILL BOX**

(76) Inventors: **Henrik Lindqvist**, Boden (SE);
Gertrud Envall, Boden (SE)

(**) Term: **14 Years**

(21) Appl. No.: **29/354,740**

(22) Filed: **Jan. 28, 2010**

(51) **LOC (9) Cl.** **03-01**

(52) **U.S. Cl.** **D3/203.2**

(58) **Field of Classification Search** D3/203.2,
D3/203.3, 203.5, 203.6, 203.7, 201, 205;
D9/414, 417-418, 422-423, 425, 428, 529;
206/528-540

See application file for complete search history.

(56) **References Cited**

U.S. PATENT DOCUMENTS

D406,755 S * 3/1999 Garganese D9/418
D406,756 S * 3/1999 Garganese D9/418
D449,733 S * 10/2001 Jacober et al. D3/203.2

D497,807 S * 11/2004 Nichols et al. D3/203.2
D583,548 S * 12/2008 Oas D3/203.2
D622,499 S * 8/2010 Sprada et al. D3/203.2

* cited by examiner

Primary Examiner — Catheri Oliver

(74) *Attorney, Agent, or Firm* — Fasth Law Offices; Rolf Fasth

(57) **CLAIM**

The ornamental design for a pill box, as shown and described.

DESCRIPTION

FIG. 1 is a perspective view of the pill box of the present invention;

FIG. 2 is a right side elevation view thereof;

FIG. 3 is a left side elevation view thereof;

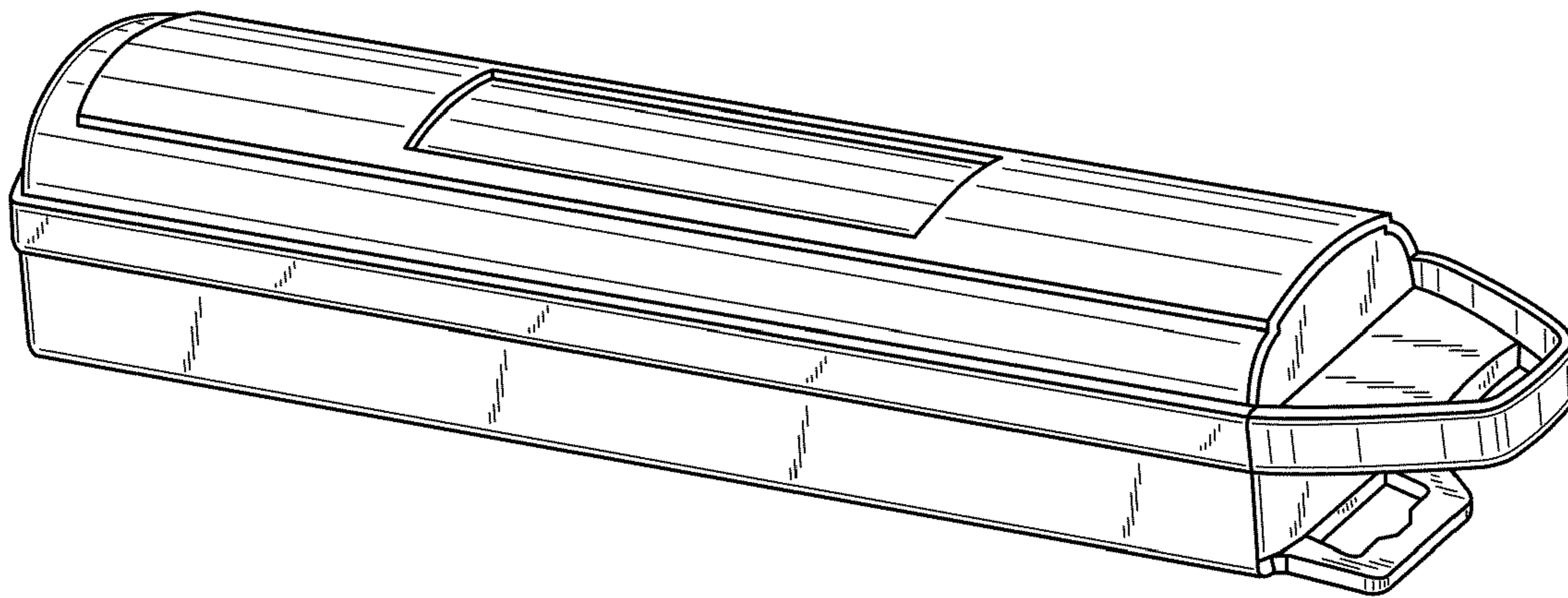
FIG. 4 is a front elevation view thereof;

FIG. 5 is a rear elevation view thereof;

FIG. 6 is a top plan view thereof; and,

FIG. 7 is a bottom plan view.

1 Claim, 2 Drawing Sheets



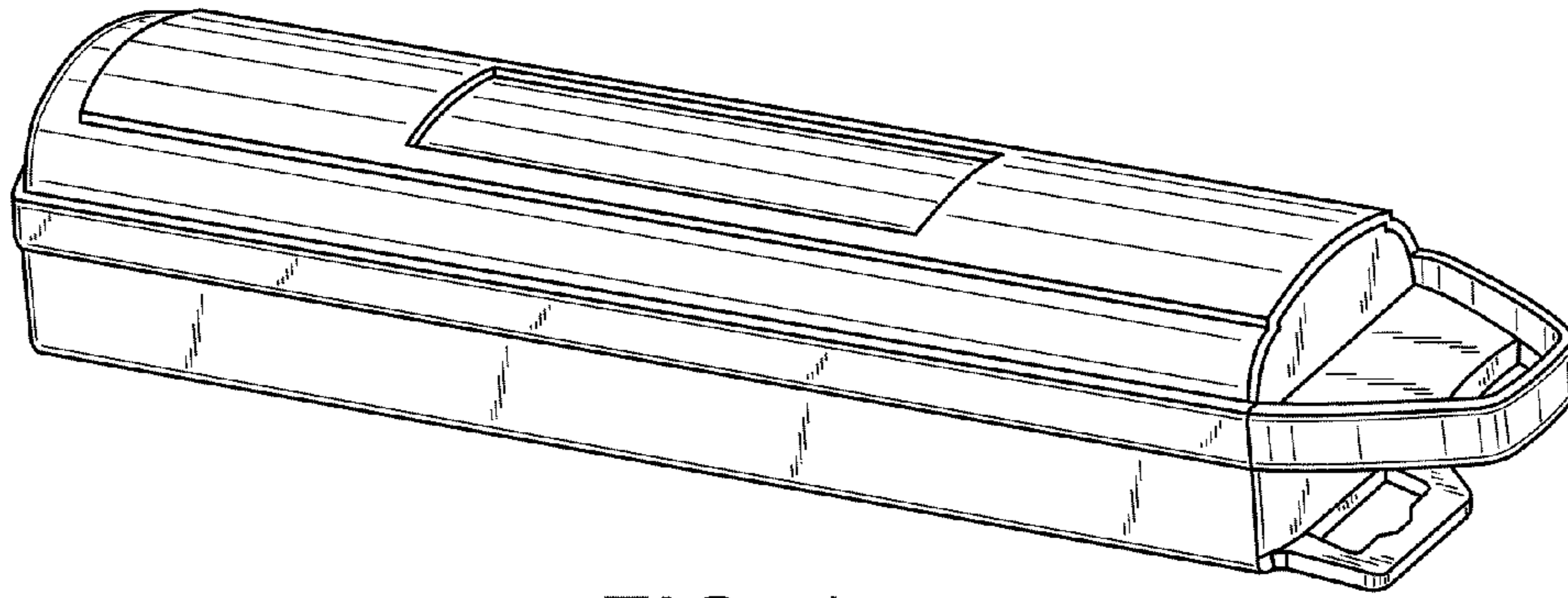


FIG. 1

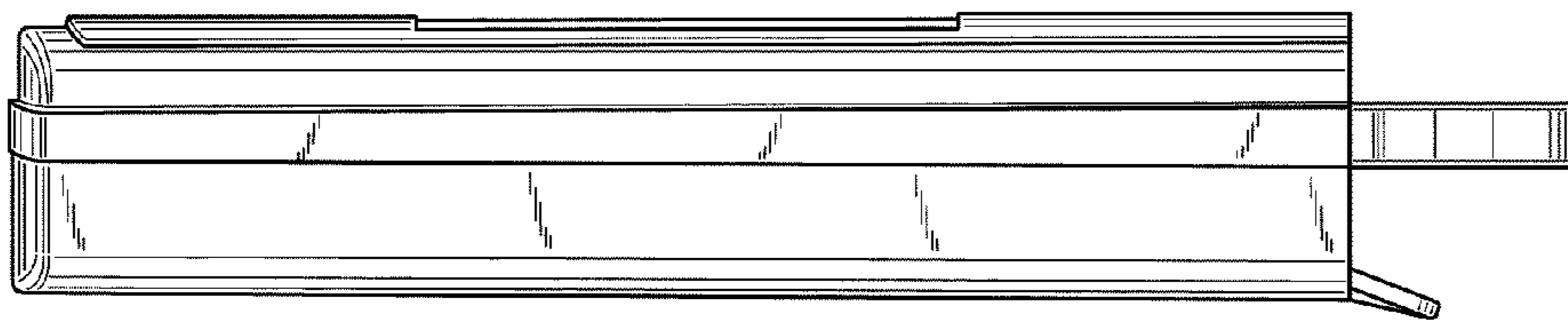


FIG. 2

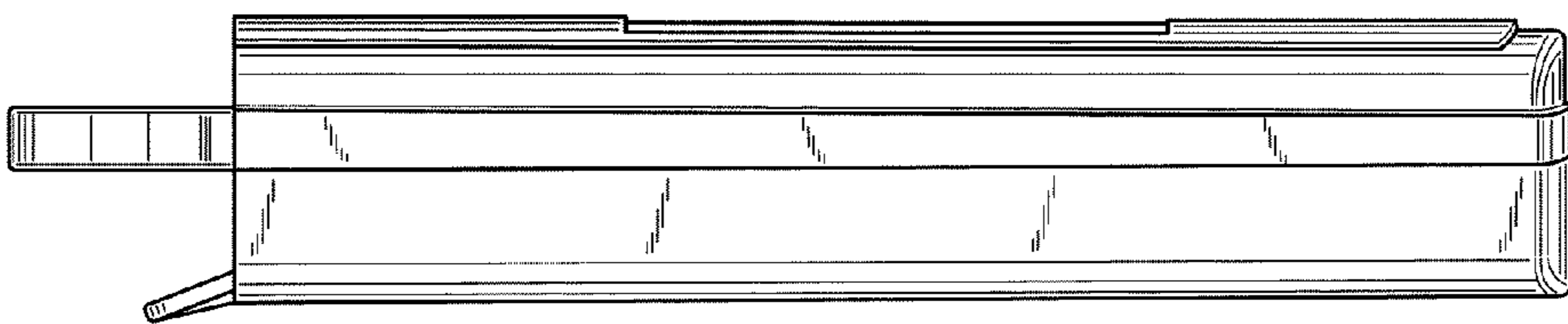


FIG. 3

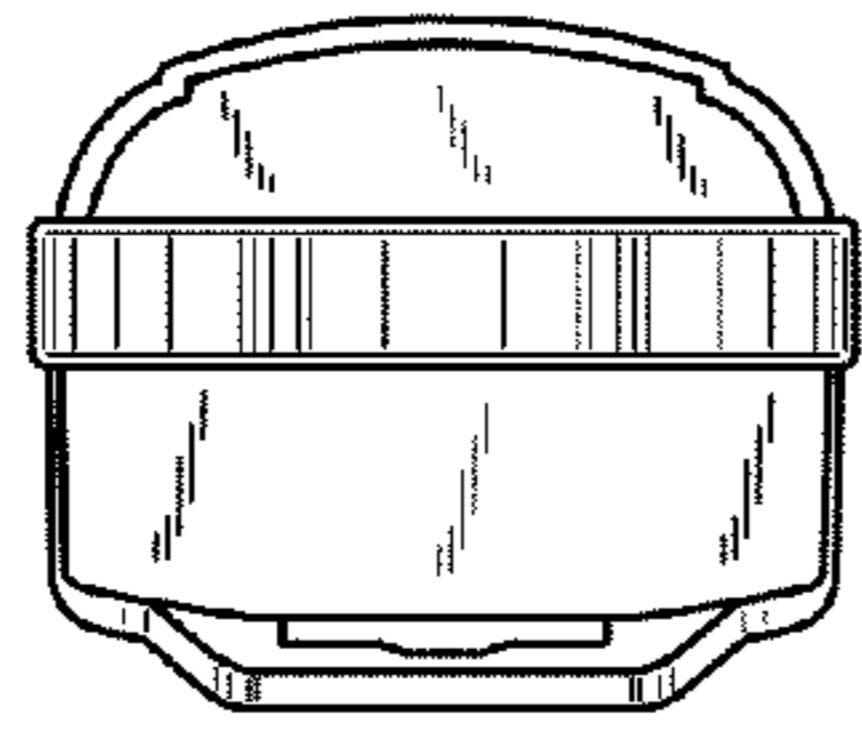


FIG. 4

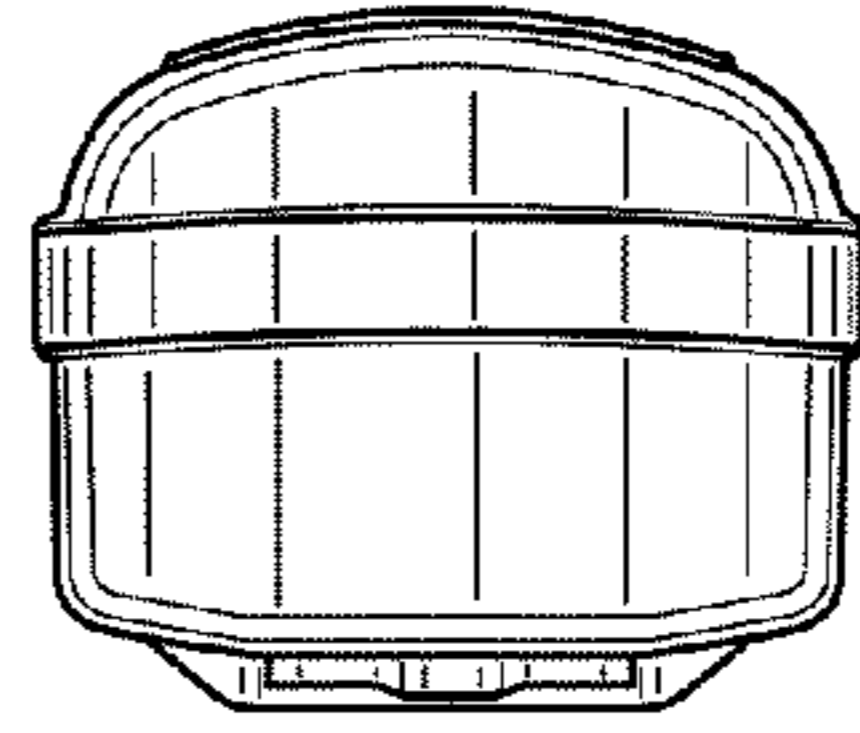


FIG. 5

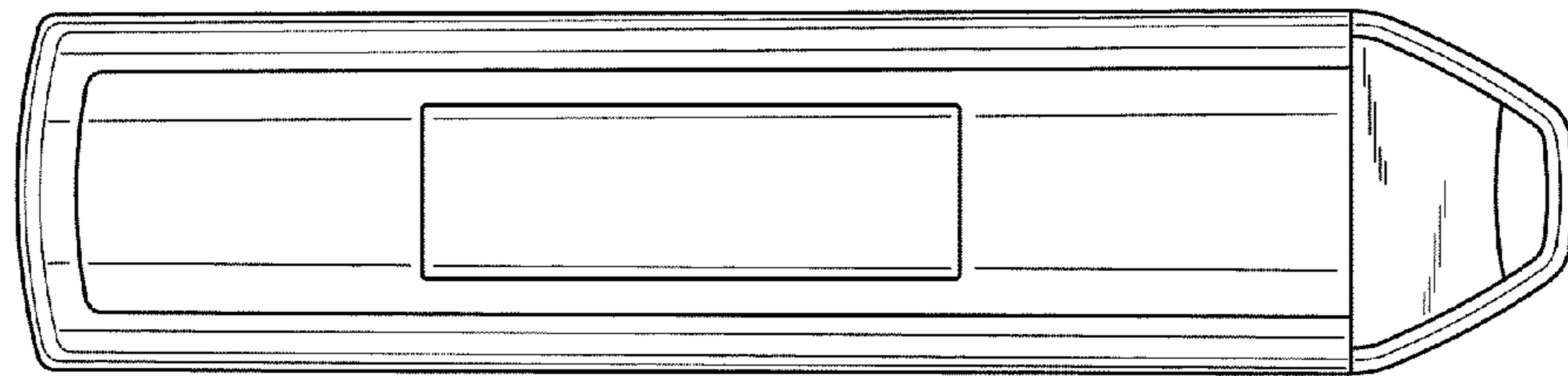


FIG. 6

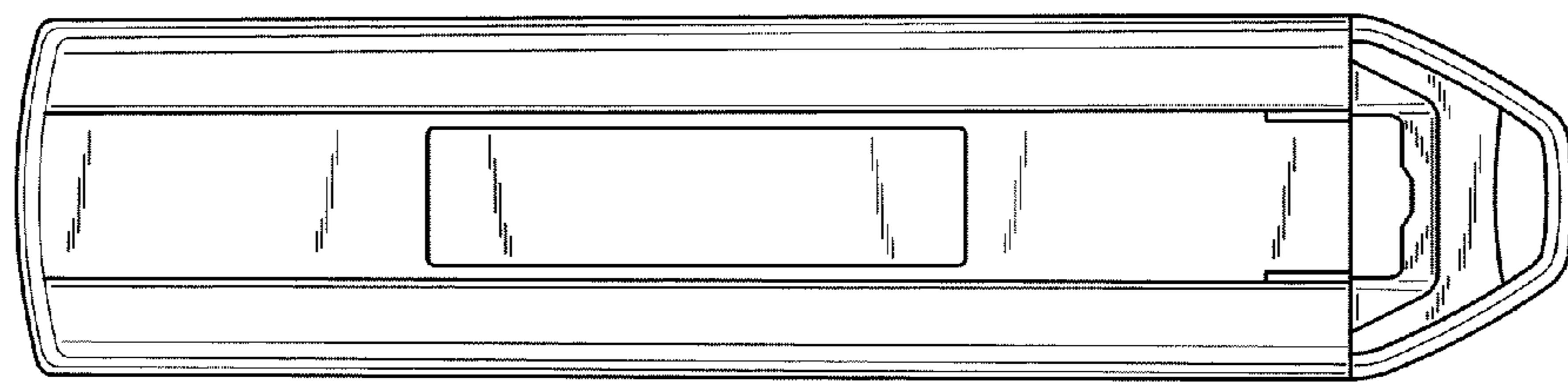


FIG. 7