



US00D652203S

(12) **United States Design Patent**  
**Blauer**

(10) **Patent No.:** **US D652,203 S**  
(45) **Date of Patent:** **\*\* Jan. 17, 2012**

(54) **UMBRELLA HAVING REFLECTIVE MATERIAL**

(75) Inventor: **Jeff Blauer**, Portland, OR (US)

(73) Assignee: **Shedrain Corporation**, Portland, OR (US)

(\*\*) Term: **14 Years**

(21) Appl. No.: **29/361,419**

(22) Filed: **May 11, 2010**

(51) **LOC (9) Cl.** ..... **03-03**

(52) **U.S. Cl.** ..... **D3/5; D3/10**

(58) **Field of Classification Search** ..... D3/5, 6,  
D3/10; 135/15.1, 33.2

See application file for complete search history.

(56) **References Cited**

**U.S. PATENT DOCUMENTS**

D45,593	S *	4/1914	Follmer	.....	D3/5
1,378,354	A *	5/1921	Johnson	.....	135/26
2,185,587	A *	1/1940	Carlisle	.....	135/33.5
2,756,760	A *	7/1956	La Grotteria	.....	135/20.1
D187,683	S *	4/1960	Harrison	.....	D3/5
4,872,468	A *	10/1989	Cole	.....	135/16
D370,336	S *	6/1996	Rosier	.....	D3/5
D418,970	S *	1/2000	Chen et al.	.....	D3/5
6,302,125	B1 *	10/2001	Lin et al.	.....	135/33.2
D486,302	S *	2/2004	Van Dam	.....	D3/6
D496,782	S *	10/2004	Miles	.....	D3/5
D504,221	S *	4/2005	Protano	.....	D3/5
D588,796	S	3/2009	Kupferman		
2005/0172986	A1 *	8/2005	Lu	.....	135/33.2
2007/0272288	A1 *	11/2007	Brebner	.....	135/33.5
2008/0308139	A1 *	12/2008	Keesling	.....	135/120.1

**FOREIGN PATENT DOCUMENTS**

JP 3109006 4/2005

**OTHER PUBLICATIONS**

ShedRain Corporation Catalog, p. 18, front and rear covers, copyright date 2000 (3 pages).

\* cited by examiner

*Primary Examiner* — Celia A. Murphy

*Assistant Examiner* — John Windmuller

(74) *Attorney, Agent, or Firm* — Leason Ellis LLP

(57) **CLAIM**

The ornamental design for an umbrella having reflective material, as shown and described.

**DESCRIPTION**

FIG. 1 is a perspective view of an umbrella having reflective material;

FIG. 2 is a front view of the umbrella having reflective material, where the rear, left, and right side views are a mirror image;

FIG. 3 is a plan front view of the umbrella having reflective material; and,

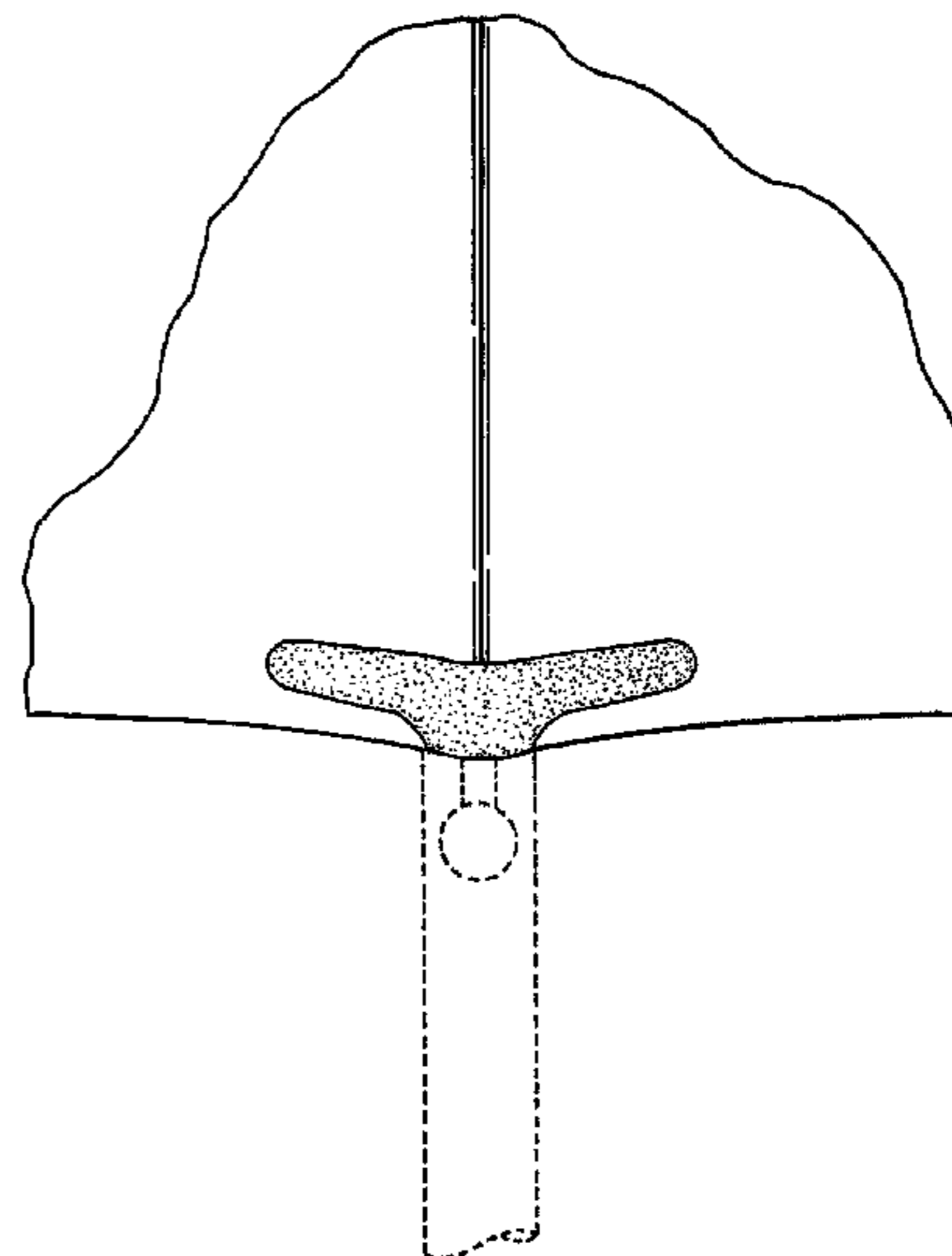
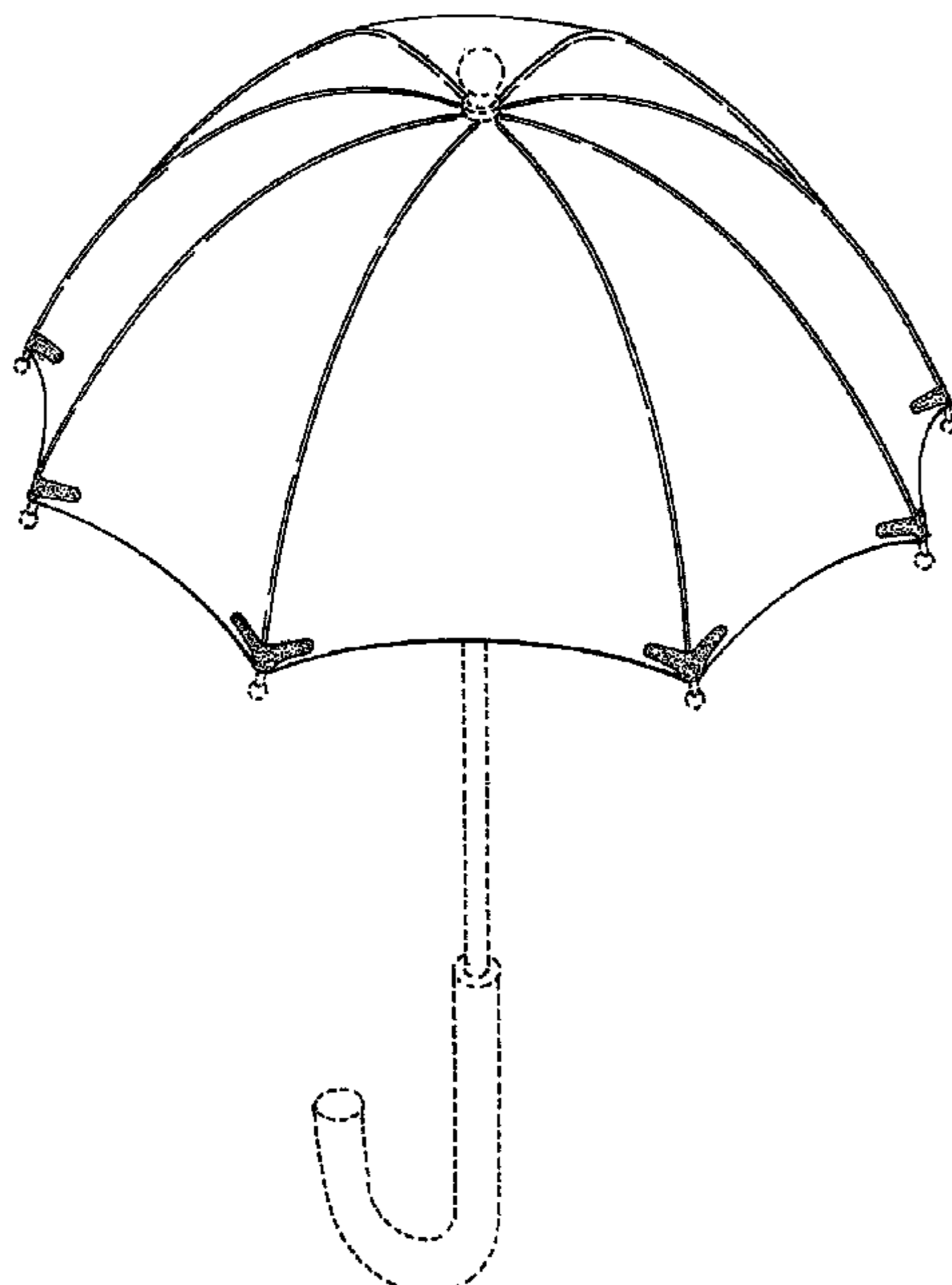
FIG. 4 is an enlarged side elevation view of a portion of the umbrella showing the reflective material.

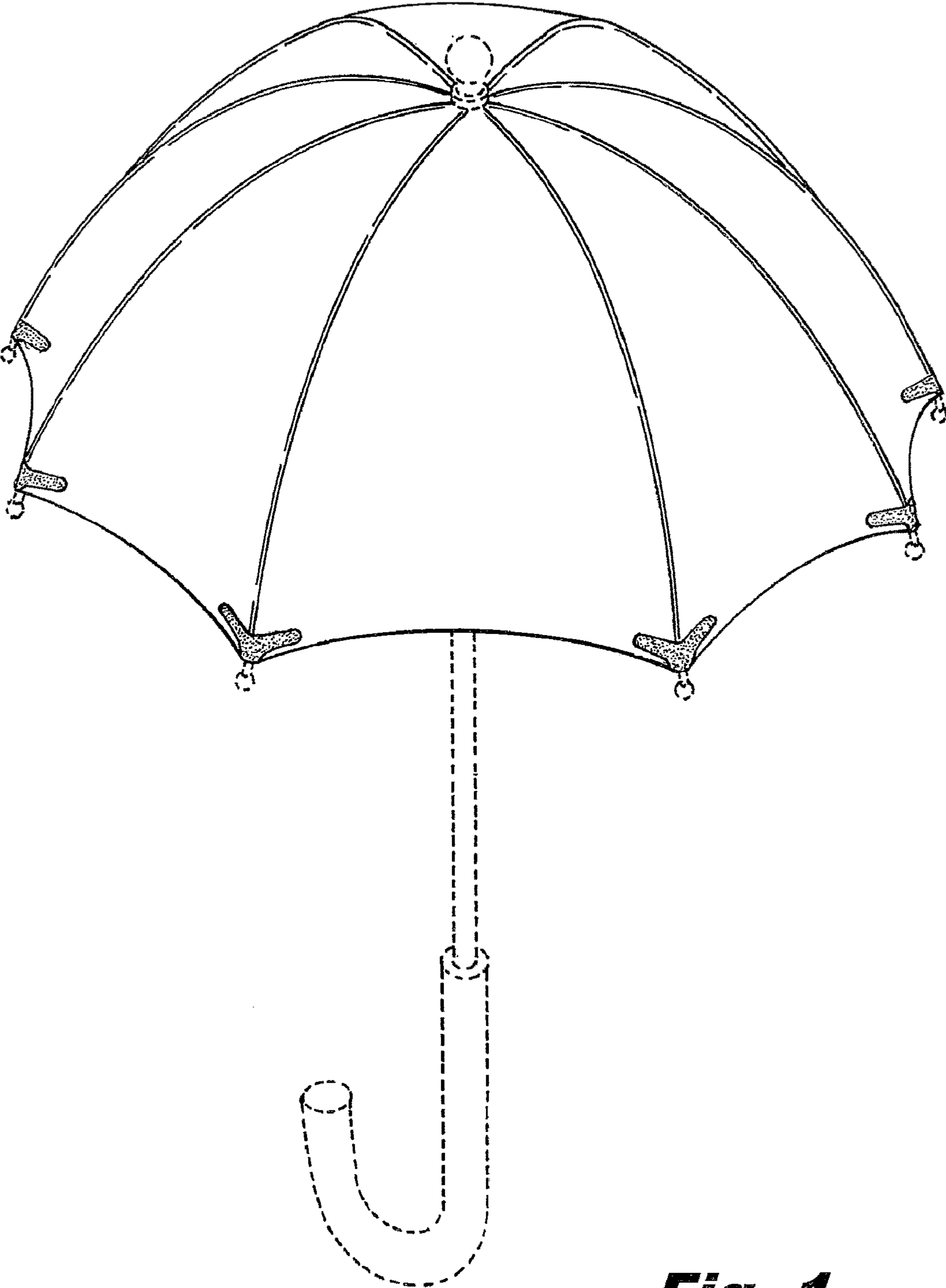
A bottom view is omitted as it does not include any ornamental features of the claimed invention.

The flecked sections are shown to illustrate a reflective, contrasting material from the body of the umbrella. The umbrella includes a plurality of members formed of the reflective material around about the umbrella, with all the reflective sections being intended as identical.

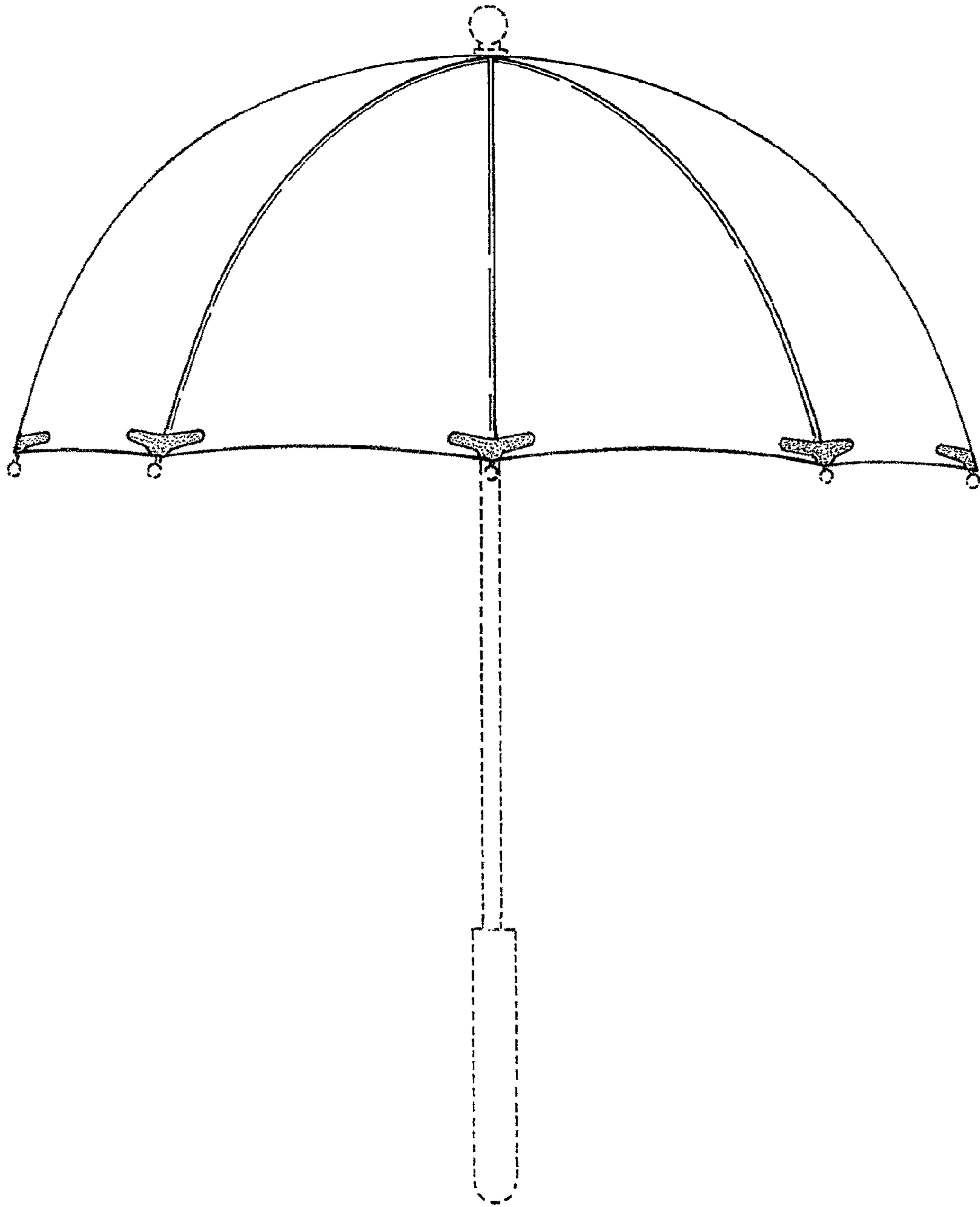
The phantom lines depict environmental subject matter only and form no part of the claimed design.

**1 Claim, 4 Drawing Sheets**

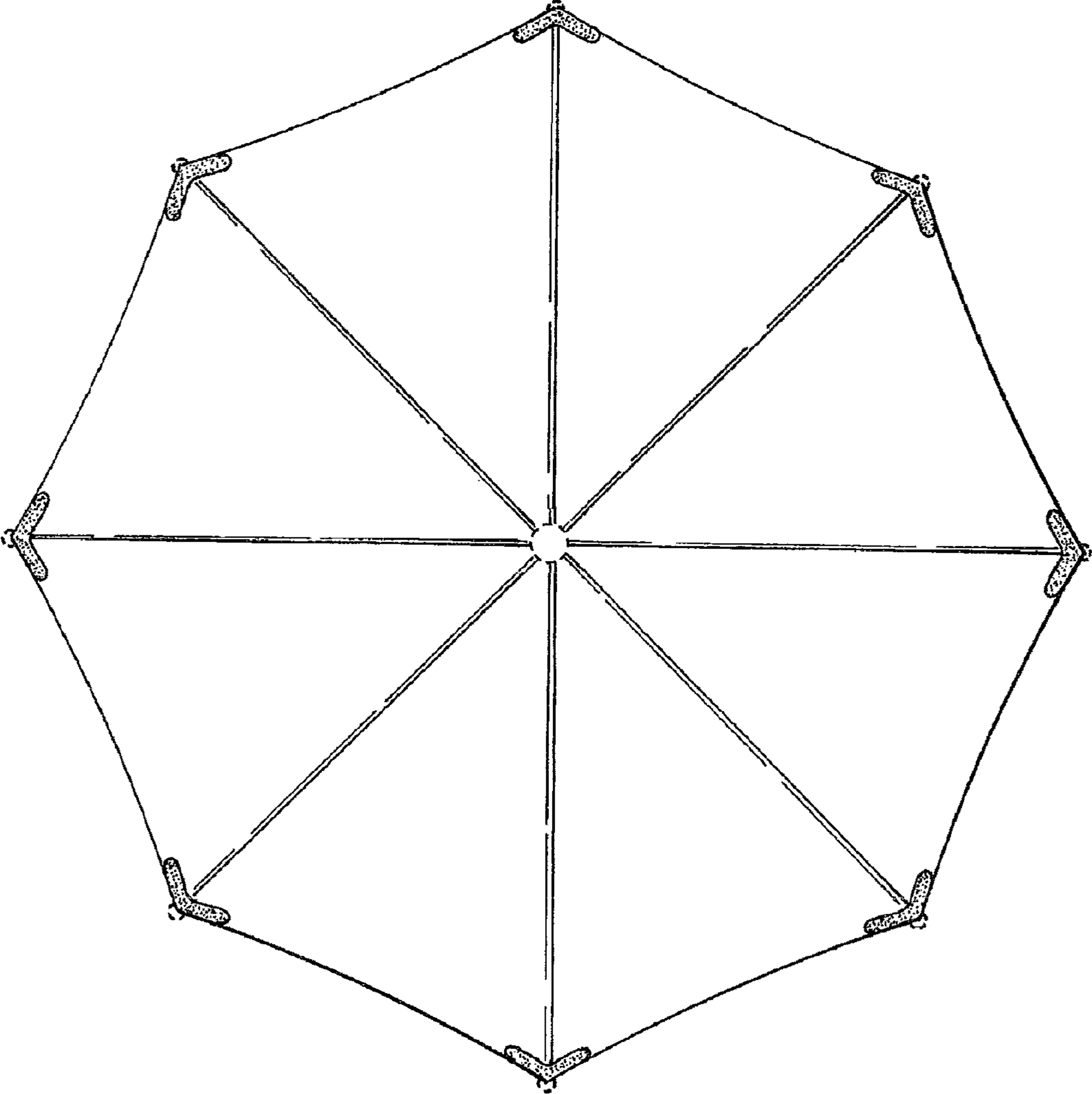




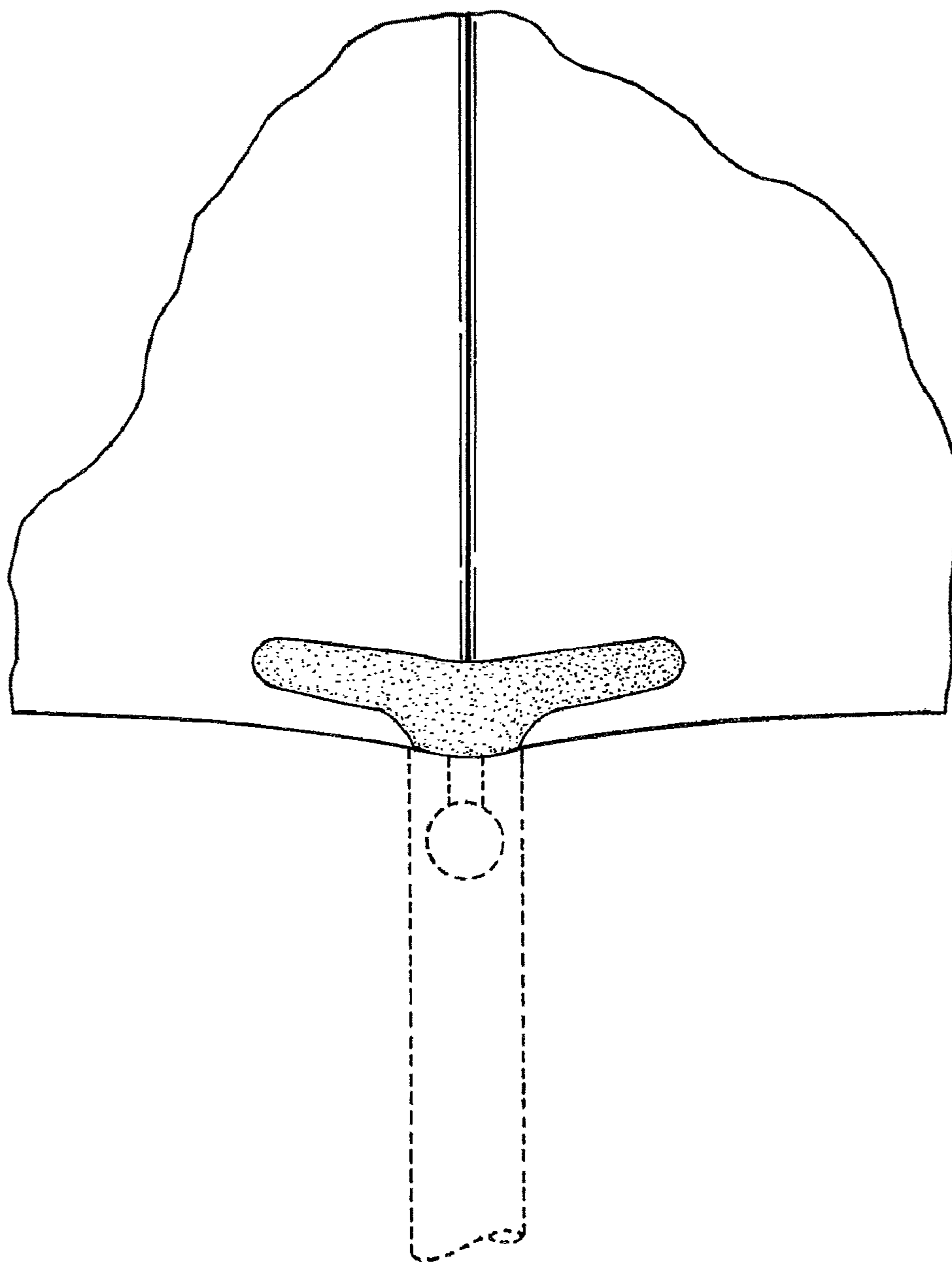
**Fig. 1**



**Fig. 2**



**Fig. 3**



**Fig. 4**