



US00D652199S

(12) **United States Design Patent**  
**Wilson, II**

(10) **Patent No.:** **US D652,199 S**  
(45) **Date of Patent:** **\*\* Jan. 17, 2012**

(54) **WAISTBAND**

(75) Inventor: **Ronald L. Wilson, II**, Solana Beach, CA (US)

(73) Assignee: **JACO Athletics LLC**, Deerfield Beach, FL (US)

(\*\*) Term: **14 Years**

(21) Appl. No.: **29/333,871**

(22) Filed: **Mar. 16, 2009**

(51) **LOC (9) Cl.** ..... **02-02**

(52) **U.S. Cl.** ..... **D2/853; D2/742**

(58) **Field of Classification Search** ..... D2/712,  
D2/731, 732, 738, 742; 2/79, 80, 83, 227,  
2/228, 236-238, 919

See application file for complete search history.

(56) **References Cited**

**U.S. PATENT DOCUMENTS**

441,637	A *	12/1890	Bloch	2/237
D86,113	S *	2/1932	Dwyer	D2/738
1,898,606	A *	2/1933	Whitley	2/465
1,999,078	A *	4/1935	Best et al.	2/237
2,138,643	A *	11/1938	Oppenheim	2/236
2,489,083	A	11/1949	Dubin	
2,903,707	A *	9/1959	Schimmel et al.	2/221
3,098,238	A	7/1963	Diamond	
D292,340	S *	10/1987	Sjoholm	D2/742
5,105,473	A *	4/1992	Valtakari	2/461
5,105,474	A *	4/1992	Skinner	2/2.17
5,255,392	A	10/1993	Stanislaw	
5,598,586	A	2/1997	Munjone	
5,675,842	A	10/1997	Schaefer	
D403,400	S *	12/1998	Bernard et al.	D24/126
6,023,789	A	2/2000	Wilson et al.	
6,108,819	A *	8/2000	DeBaene et al.	2/227
6,665,882	B1	12/2003	Pedrick	
6,735,785	B2	5/2004	Takayama	
6,789,270	B1	9/2004	Pedrick	

6,859,944	B2	3/2005	Kim	
7,124,448	B2	10/2006	Davenport	
7,523,508	B2 *	4/2009	Contant et al.	2/227

**FOREIGN PATENT DOCUMENTS**

JP	09021006	A *	1/1997
JP	2001248005	A *	9/2001
WO	WO 224011	A1 *	3/2002

**OTHER PUBLICATIONS**

Kona Sports.com. <http://www.konasports.com/under-armour-heatgear-compression-mens-athletic-shorts.aspx>. Date unknown: Viewed Sep. 2011. "Under Armour Heatgear Compression Mens Athletic Shorts".\*

QST International. <http://www.ostint.com/mma-shorts/mma-short-MMS-1347.html>. May 2010. "MMA Shorts".\*

Facebook. <http://www.facebook.com/group.php?gid=123182497729591&v=photos>. Copyright 2011. Bushido Apparel: Black and Yellow MMA Shorts.\*

\* cited by examiner

*Primary Examiner* — Rashida Johnson

(57) **CLAIM**

I claim the ornamental design for a waistband, as shown and described.

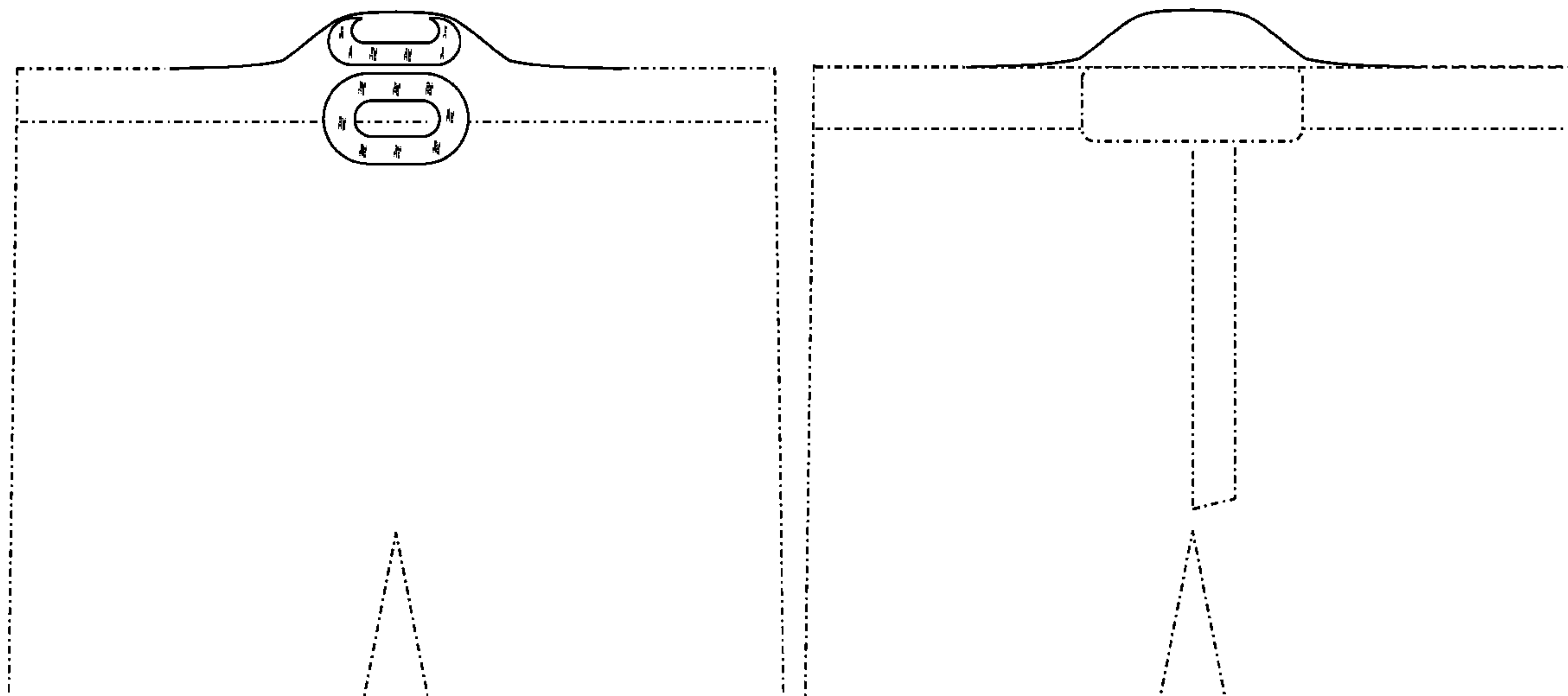
**DESCRIPTION**

FIG. 1 is a rear elevational view of a rear portion of a waistband in accordance with the new design, depicting a tab extension centrally aligned on a rear side of the waistband; and,

FIG. 2 is a front elevational view of the waistband of FIG. 1, depicting the tab extension located on the rear portion of the waistband.

In the drawing, the dashed lines indicate environmental structure and form no part of the claimed design, and any portions of the waistband not shown form no part of the claimed design.

**1 Claim, 2 Drawing Sheets**



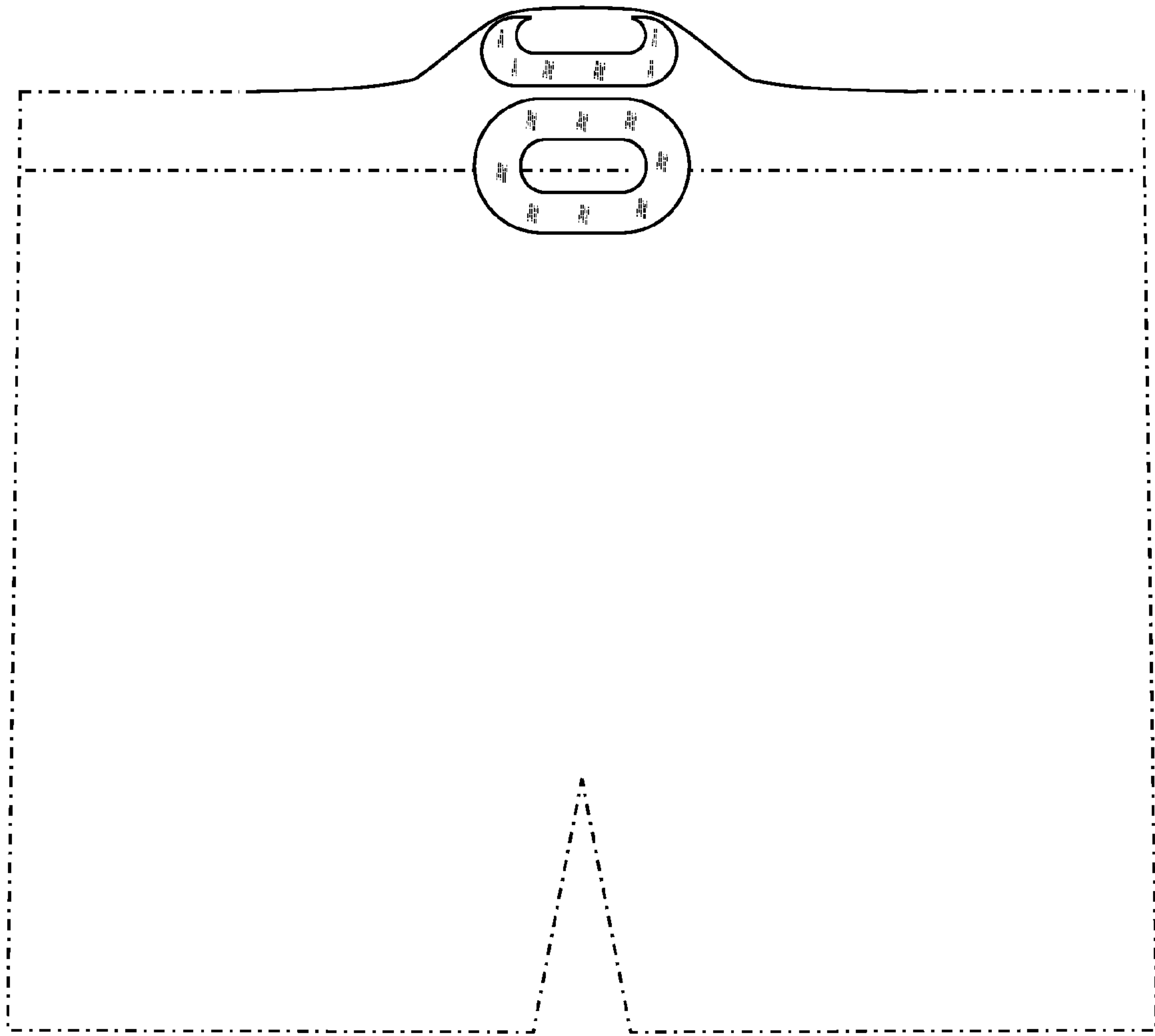


FIG. 1

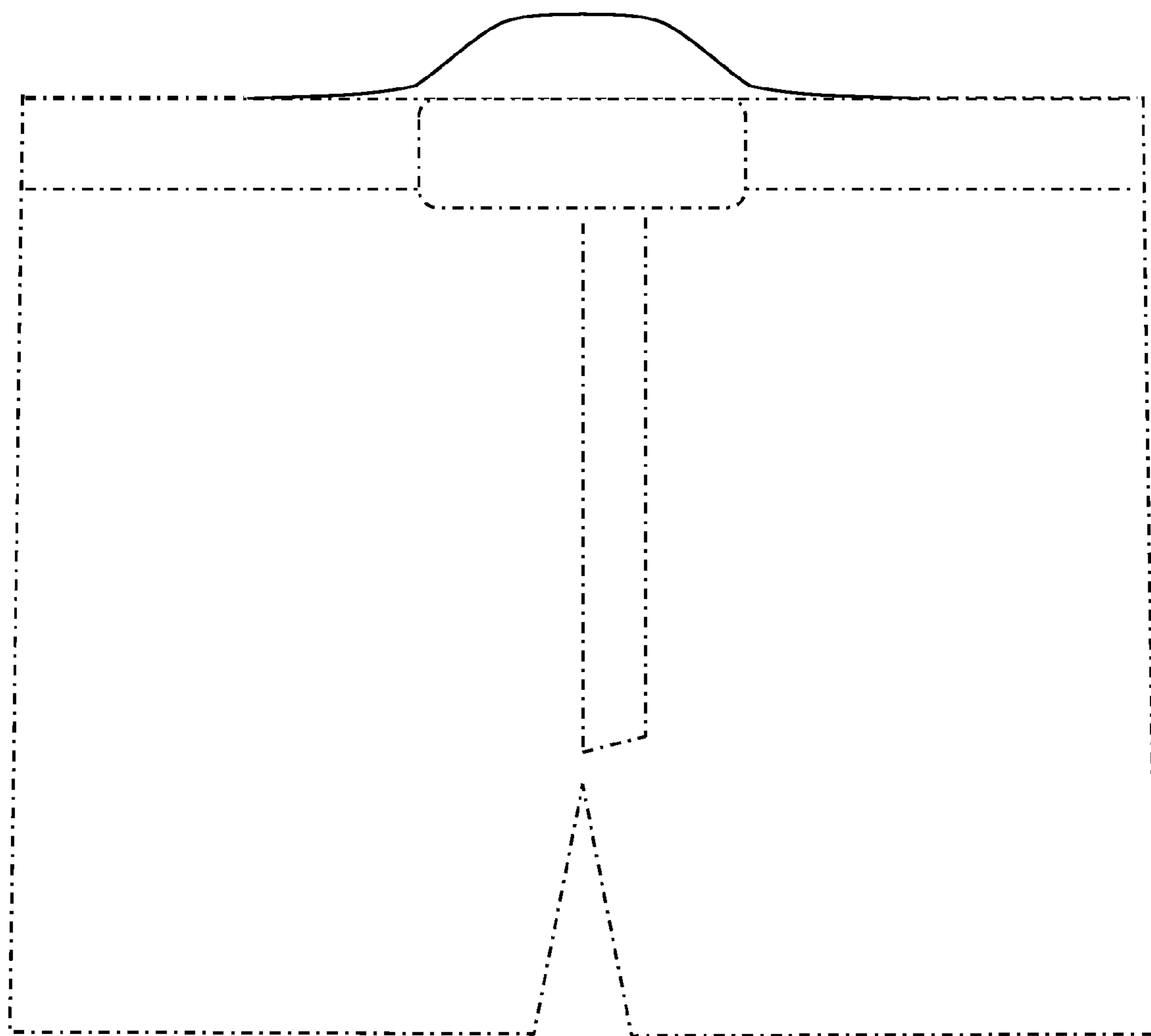


FIG. 2