



US00D652196S

(12) **United States Design Patent**
Glennie

(10) **Patent No.:** **US D652,196 S**

(45) **Date of Patent:** **** Jan. 17, 2012**

(54) **CUTOUT COLLAR DESIGN**

(75) Inventor: **Eric Glennie**, Apple Valley, MN (US)

(73) Assignee: **Eric Glennie**, Apple Valley, MN (US)

(**) Term: **14 Years**

(21) Appl. No.: **29/376,088**

(22) Filed: **Oct. 1, 2010**

(51) **LOC (9) Cl.** **02-01**

(52) **U.S. Cl.** **D2/602**

(58) **Field of Classification Search** D2/600,
D2/602, 605, 834, 836, 840, 842, 845, 847,
D2/849, 853, 854; 2/98, 115, 116, 127, 128,
2/129, 130, 131, 133, 135, 136, 137, 138,
2/139

See application file for complete search history.

(56) **References Cited**

U.S. PATENT DOCUMENTS

61,669	A *	1/1867	Kaufman	2/136
86,180	A *	1/1869	Saladee	2/129
493,956	A *	3/1893	Wiley	2/116
790,064	A *	5/1905	Lawrence	2/138
932,848	A *	8/1909	Dorf	2/138
1,147,577	A *	7/1915	Van Tochine	2/142
1,837,998	A *	12/1931	Rosenbloom	2/115
2,240,902	A *	5/1941	Fishman	2/115
D133,571	S *	8/1942	Workman	D2/602
2,418,058	A *	3/1947	Touloumis	2/131
D166,797	S *	5/1952	Workman	D2/854
2,598,539	A *	5/1952	Heim	2/130
2,629,872	A *	2/1953	Liebowitz	2/131
2,681,450	A *	6/1954	Adams	2/131
2,806,223	A *	9/1957	Metzger	2/143
2,824,310	A *	2/1958	Hedbrandh	2/131
D233,186	S *	10/1974	Calhoun, Sr.	D2/849
4,922,553	A *	5/1990	Morrone	2/132
6,708,344	B2 *	3/2004	Friedman	2/132

2003/0135910	A1 *	7/2003	Young, Jr.	2/115
2005/0108805	A1 *	5/2005	Shade	2/129
2011/0010821	A1 *	1/2011	Young	2/116

OTHER PUBLICATIONS

Cutout Shirt Collars by Eric Glennie, [on-line]; [downloaded to the Internet May 11, 2010]; [retrieved from the Internet Sep. 10, 2011]; URL: <www.ericglennie.com>. (4 pages).*

* cited by examiner

Primary Examiner — Karen E Eldridge Powers

(74) Attorney, Agent, or Firm — Dicke, Billig & Czaja PLLC

(57) **CLAIM**

The ornamental design for a cutout collar design, as shown and described herein.

DESCRIPTION

FIG. 1 is a front elevation view of the cutout collar, shown with the collar buttoned closed and worn with a tie.

FIG. 2 is a first side elevation view of the cutout collar of FIG. 1.

FIG. 3 is a second side elevation view of the cutout collar of FIG. 1.

FIG. 4 is a top plan view of the cutout collar of FIG. 1.

FIG. 5 is a front elevation view of the cutout collar of FIG. 1, with the collar unbuttoned and worn with a jacket instead of a tie.

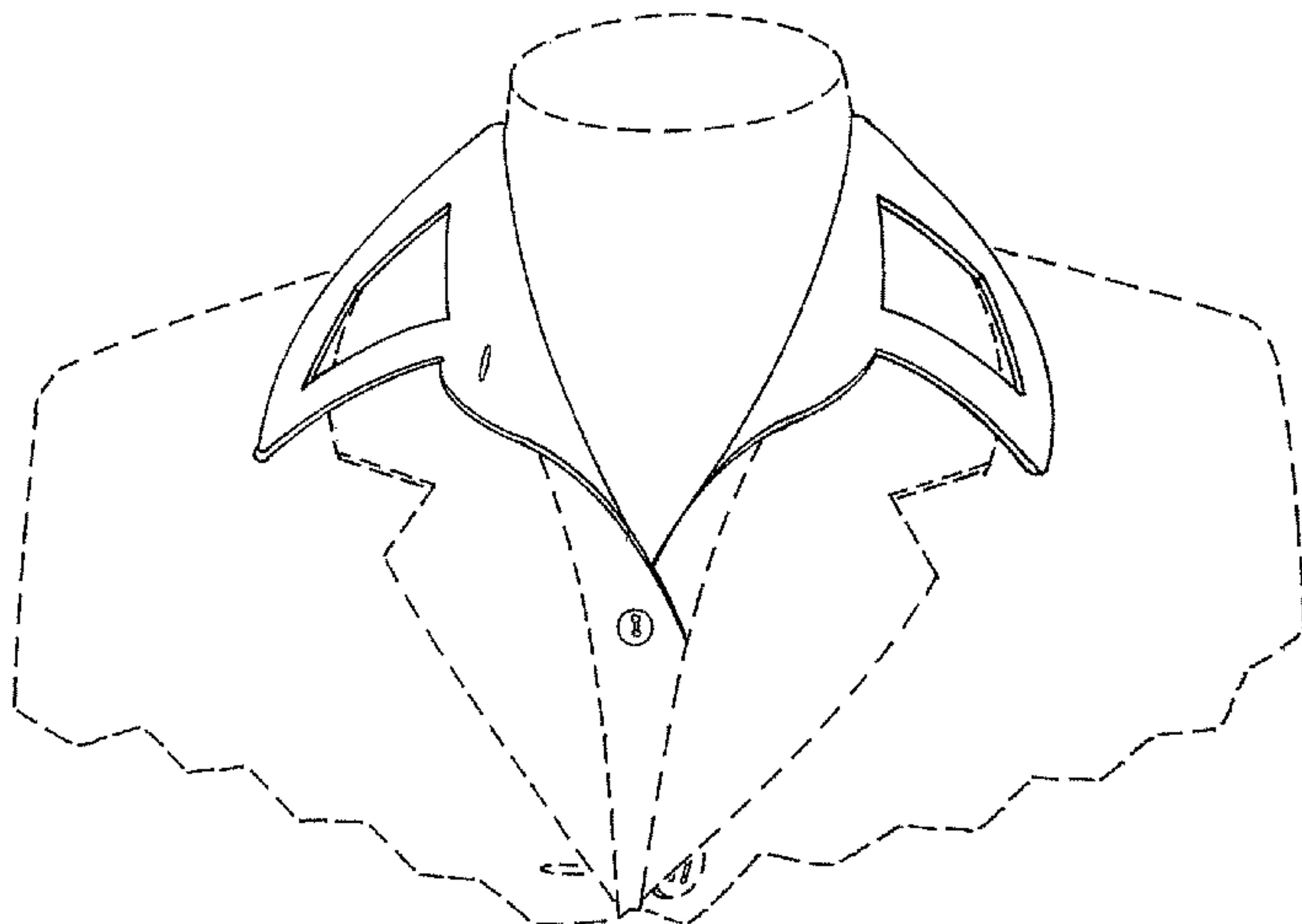
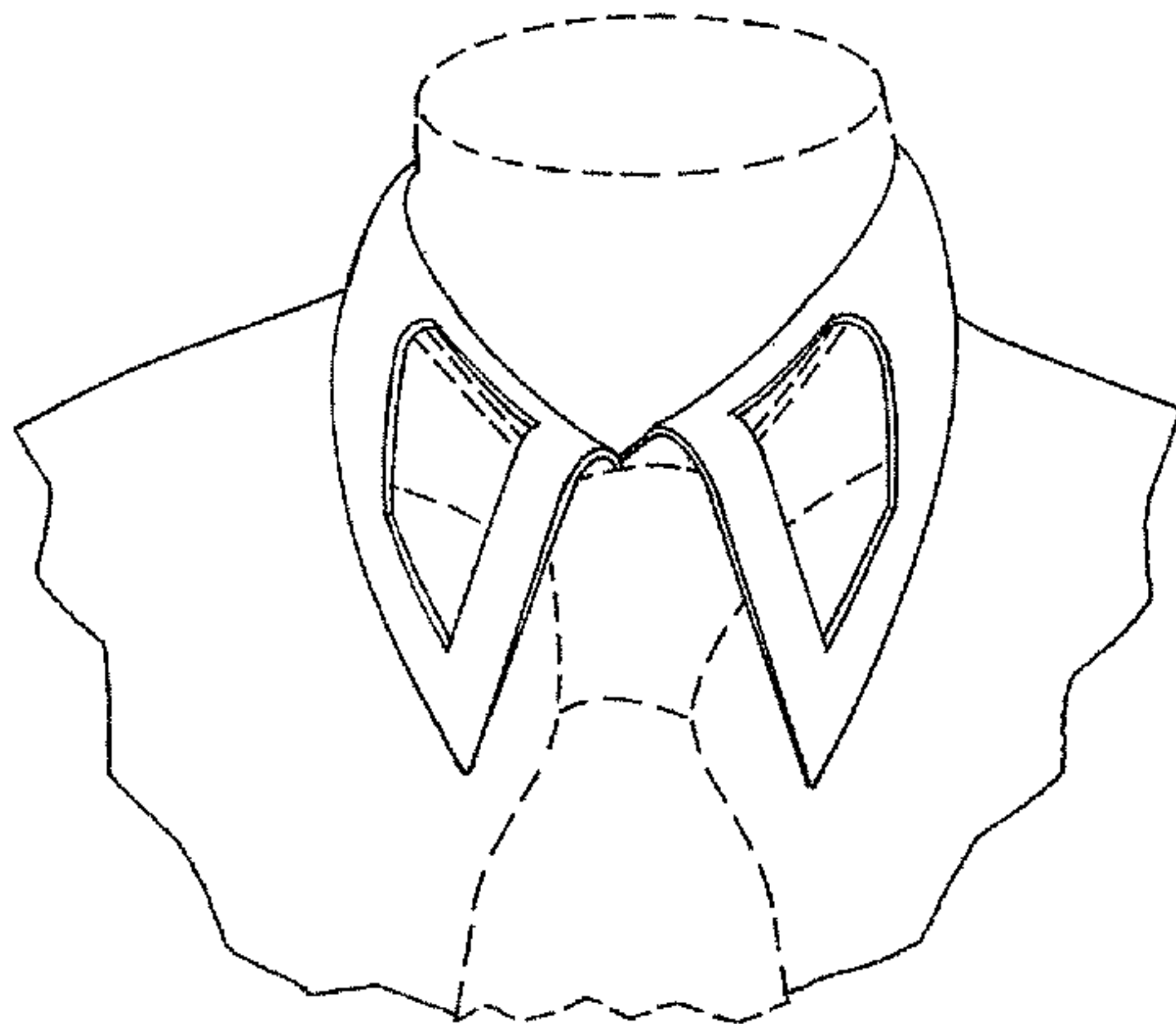
FIG. 6 is a first side elevation view of the cutout collar of FIG. 5.

FIG. 7 is a second side elevation view of the cutout collar of FIG. 5; and,

FIG. 8 is a top plan view of the cutout collar of FIG. 5.

The broken lines shown in the drawings illustrate environmental subject matter that forms no part of the claimed design.

1 Claim, 6 Drawing Sheets



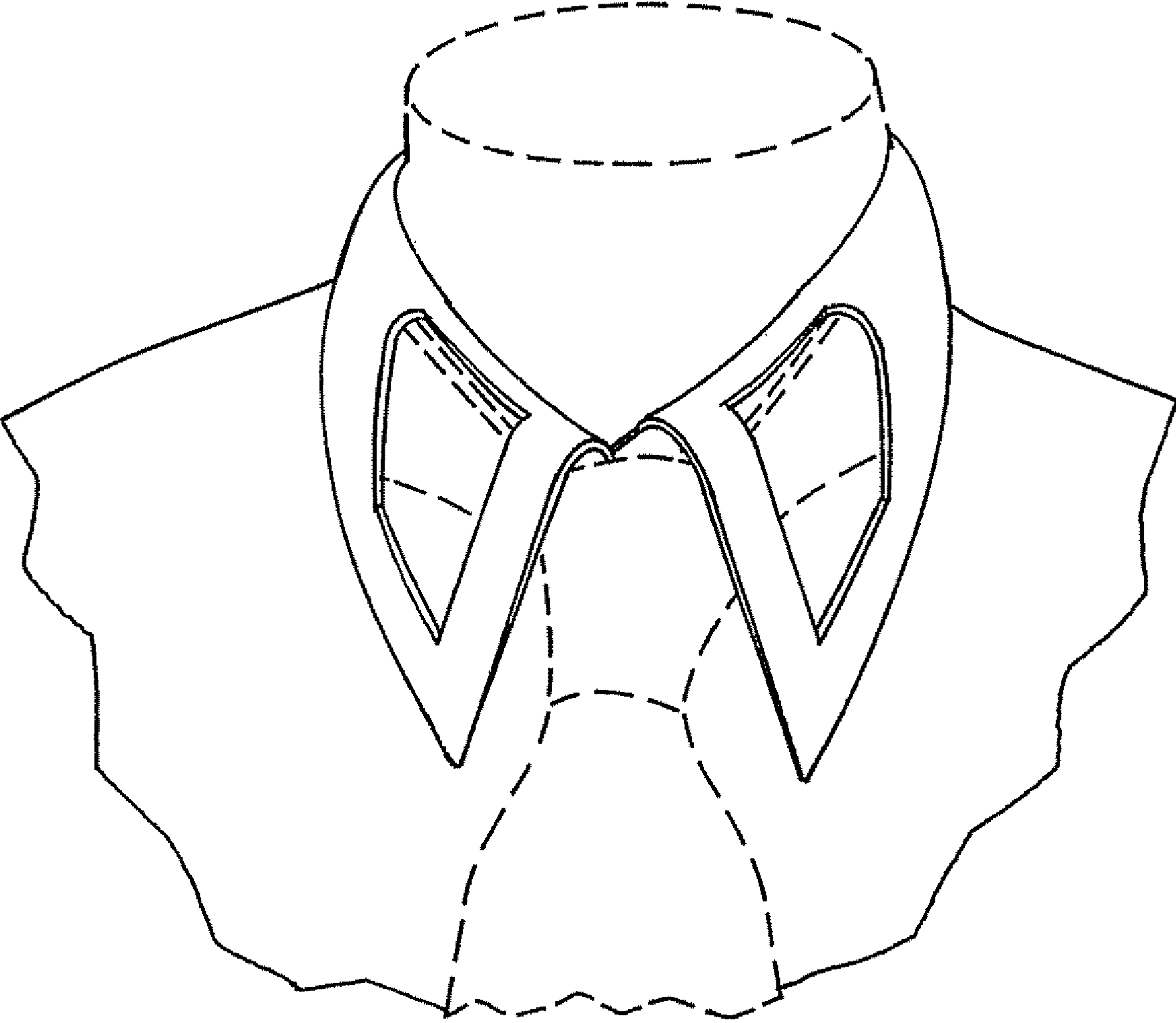


FIG. 1

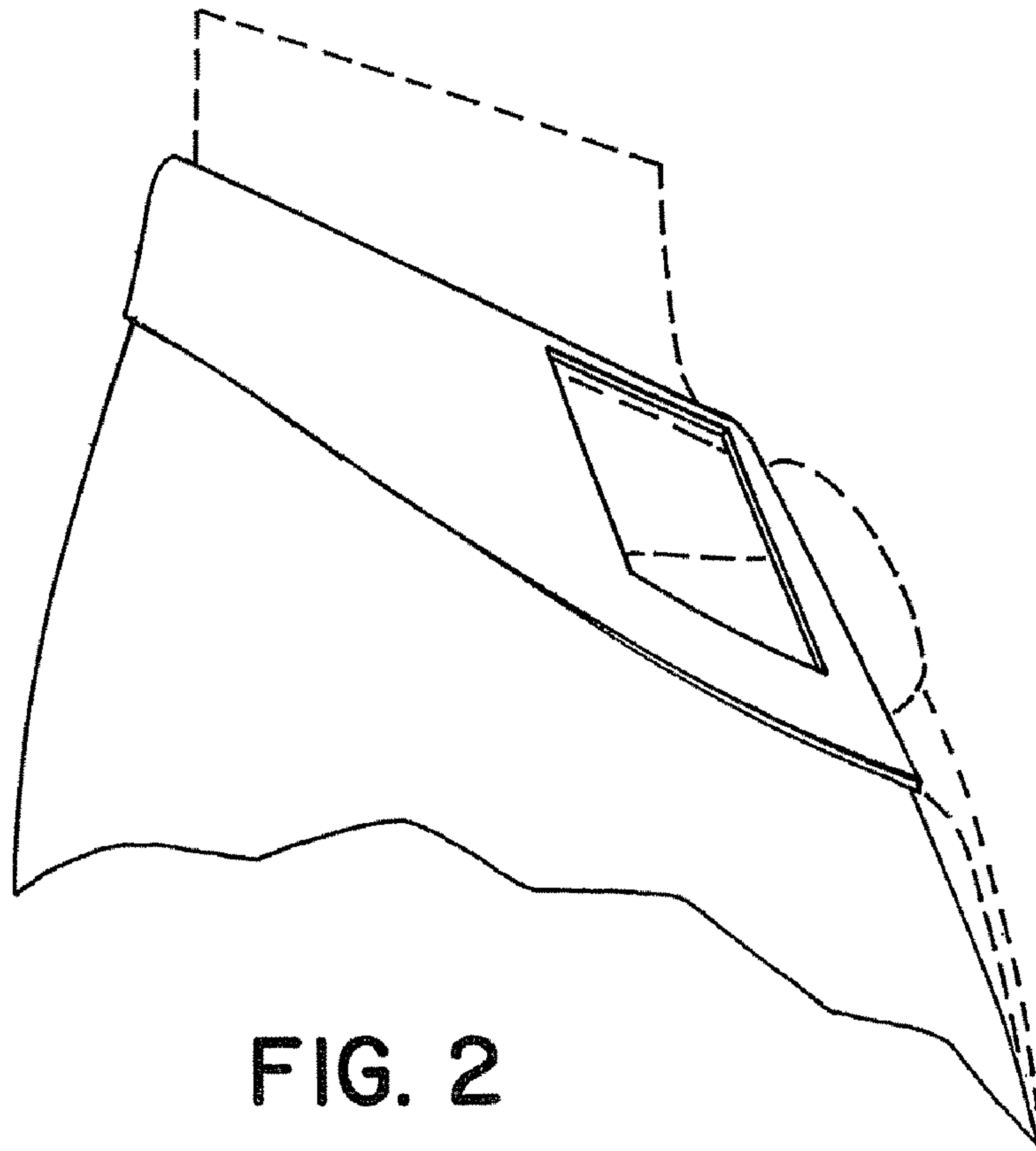


FIG. 2

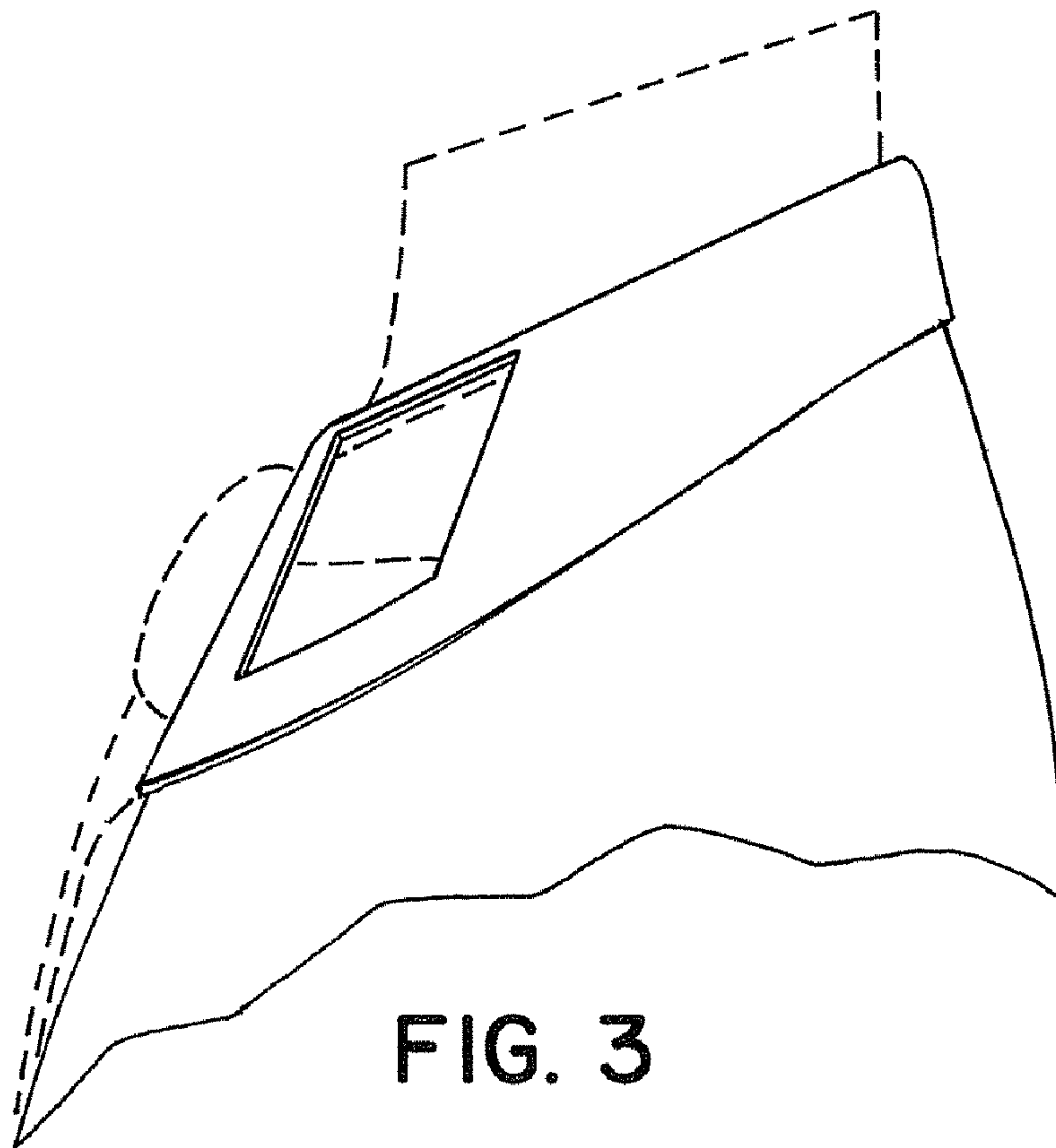


FIG. 3

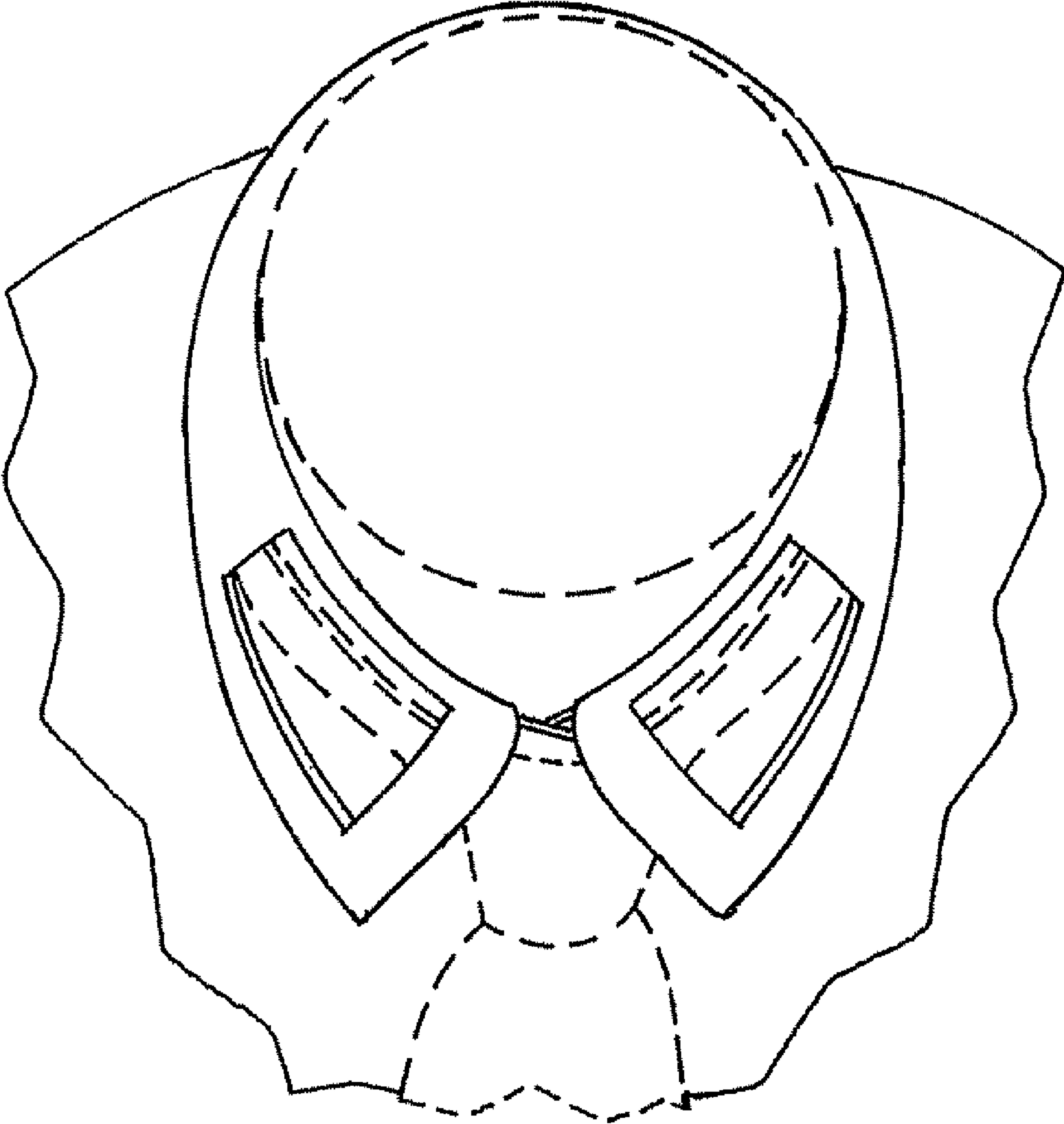


FIG. 4

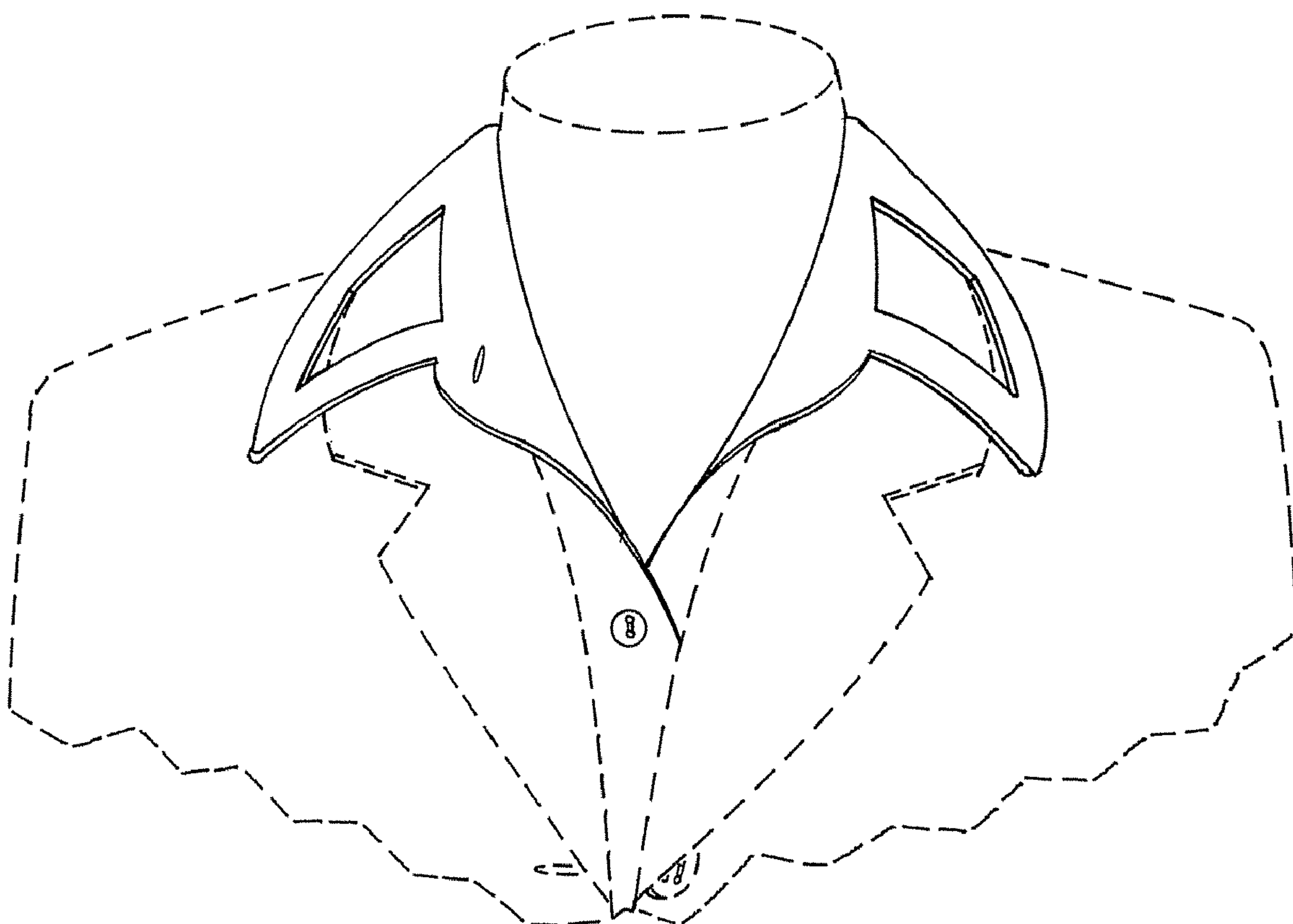


FIG. 5

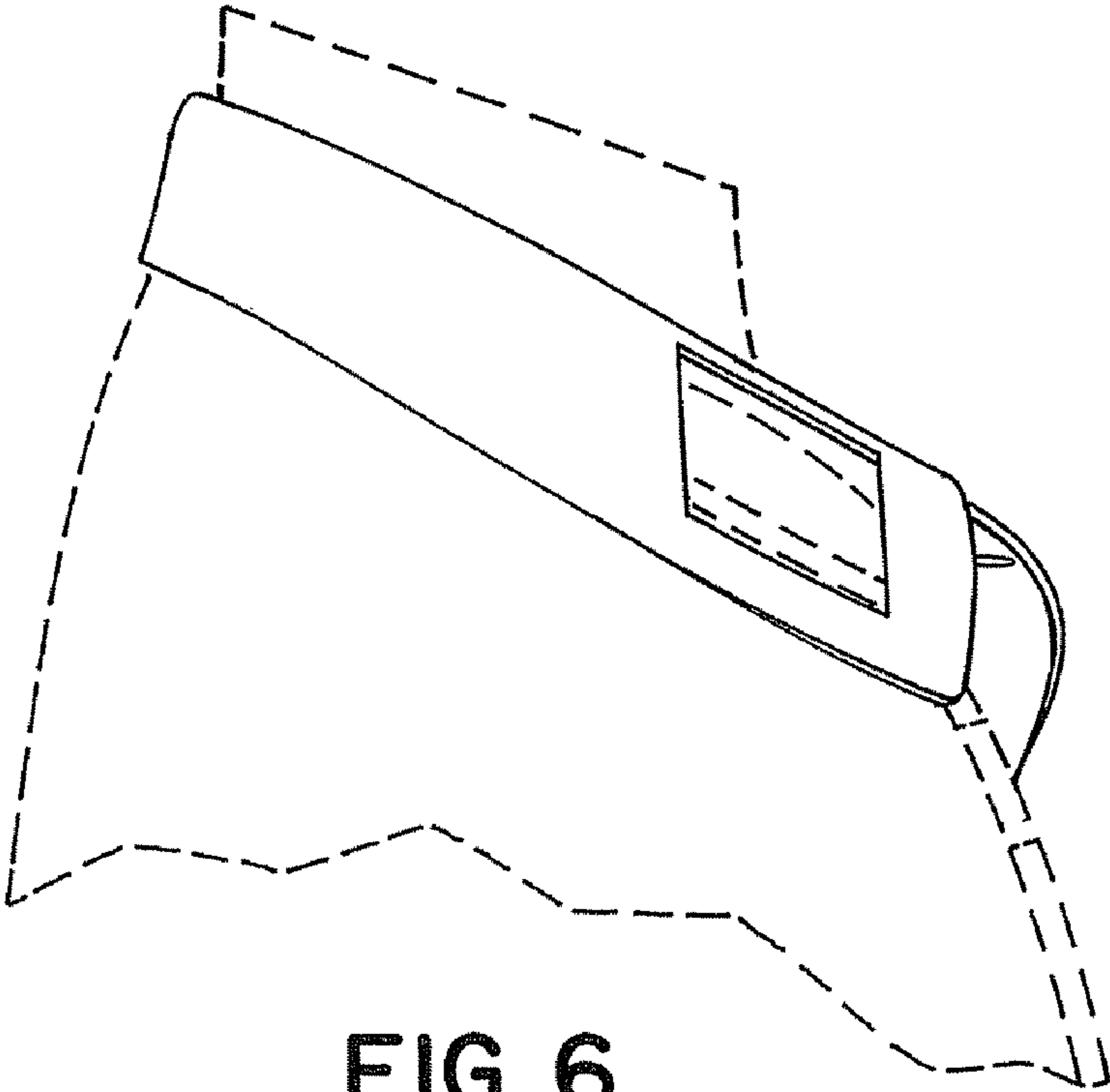


FIG. 6

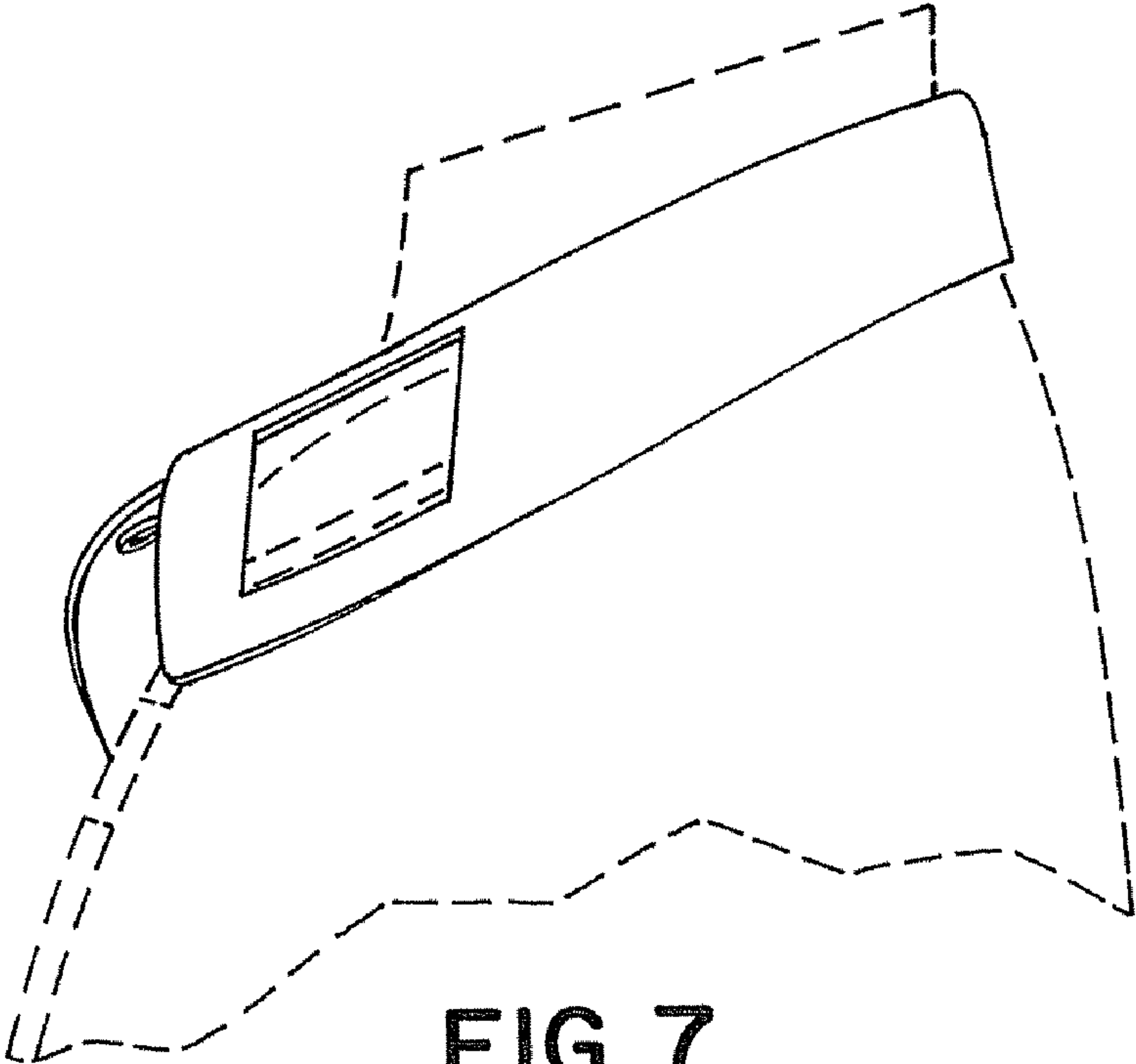


FIG. 7

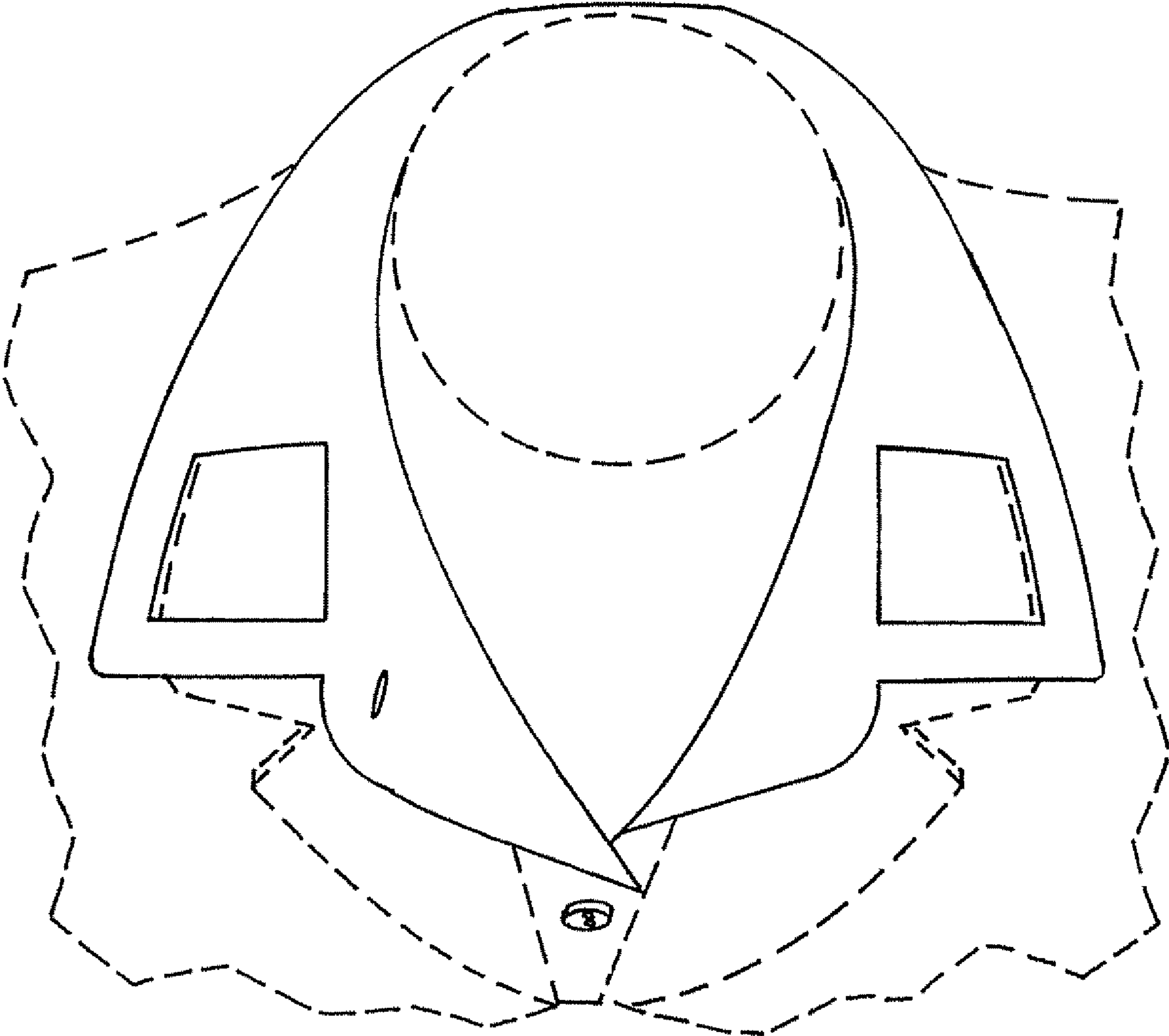


FIG. 8