



US00D652195S

(12) **United States Design Patent**
Elhaj

(10) **Patent No.:** **US D652,195 S**
(45) **Date of Patent:** **** Jan. 10, 2012**

- (54) **BROKEN HEART SHAPED COFFIN**
- (76) Inventor: **Antoine Elhaj**, Sandusky, OH (US)
- (**) Term: **14 Years**
- (21) Appl. No.: **29/385,636**
- (22) Filed: **Feb. 17, 2011**

D423,753	S	*	4/2000	Huber et al.	D99/5
D508,599	S	*	8/2005	Lefever	D99/1
D540,182	S	*	4/2007	Weaver	D9/600
D605,495	S	*	12/2009	Elhaj	D8/347
D611,675	S	*	3/2010	Elhaj	D99/5
D632,452	S	*	2/2011	Elhaj	D99/3
D632,453	S	*	2/2011	Elhaj	D99/3
7,882,606	B2	*	2/2011	Elhaj	27/27
7,900,327	B2	*	3/2011	Elhaj	27/35
2010/0269317	A1	*	10/2010	Elhaj	27/4

* cited by examiner

Related U.S. Application Data

- (63) Continuation of application No. 12/390,400, filed on Feb. 20, 2009, now Pat. No. 7,900,326, and a continuation of application No. 12/430,882, filed on Apr. 27, 2009, now Pat. No. 7,921,528.
- (51) **LOC (9) Cl.** **99-00**
- (52) **U.S. Cl.** **D99/3**
- (58) **Field of Classification Search** D99/1,
D99/2, 3, 5, 21, 37; 27/1, 2, 4, 5, 6, 7; D11/56,
D11/81, 103; 428/7; 63/18, 19, 32, 1.14,
63/1.16; 52/133
See application file for complete search history.

Primary Examiner — Paula Greene

(74) *Attorney, Agent, or Firm* — Ronald J. Koch

(57) **CLAIM**

The ornamental design for a broken heart shaped coffin, as shown and described.

DESCRIPTION

FIG. 1 is a side elevational view of a broken heart shaped coffin showing my new design;
 FIG. 2 is an opposite side elevational view thereof;
 FIG. 3 is a front view thereof;
 FIG. 4 is a rear view thereof;
 FIG. 5 is a top view thereof; and,
 FIG. 6 is a bottom view thereof.

(56) **References Cited**

U.S. PATENT DOCUMENTS

2,494,473	A	*	1/1950	Dowling	27/3
D266,154	S	*	9/1982	Zaboyan	D11/83

1 Claim, 5 Drawing Sheets

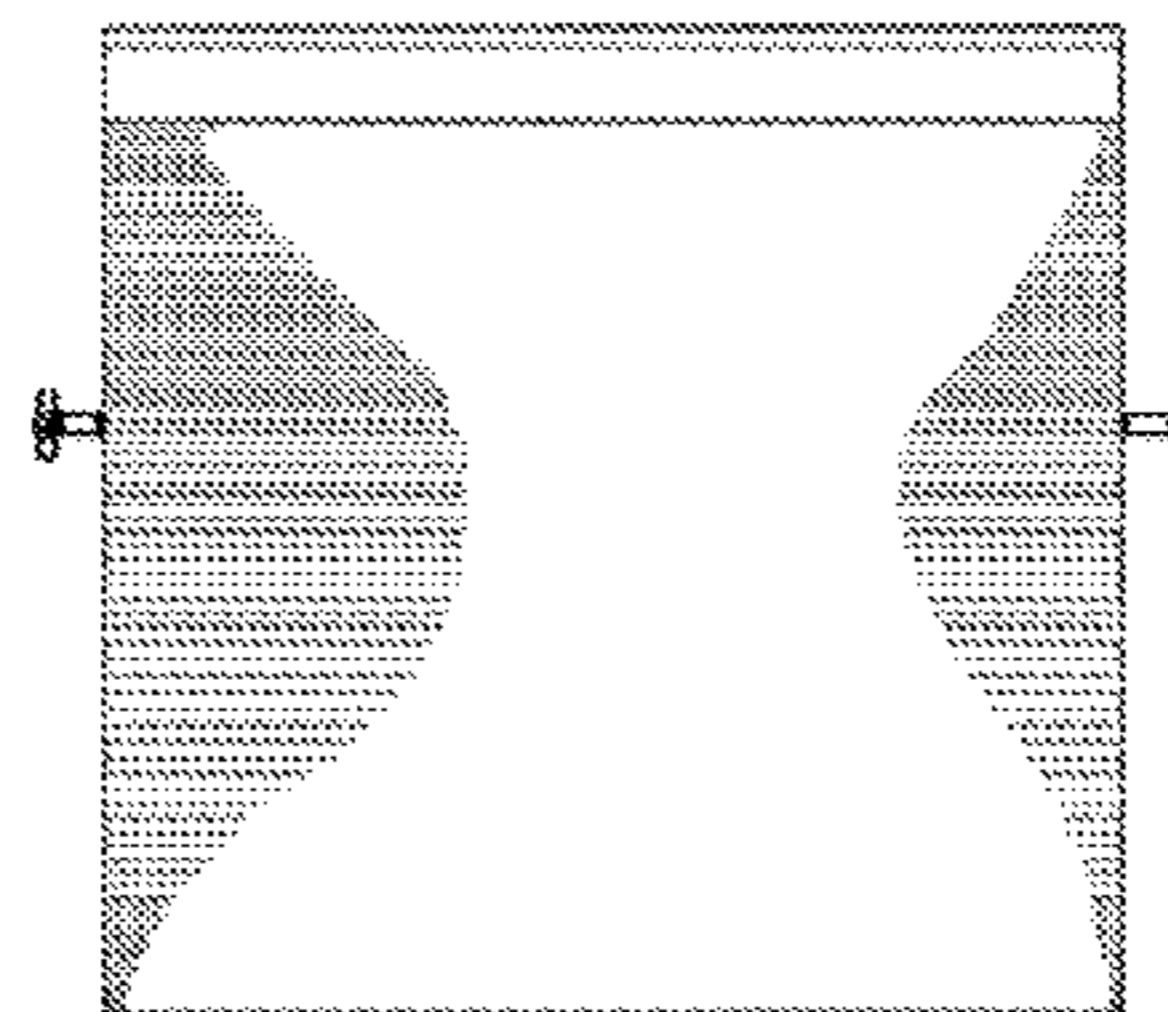
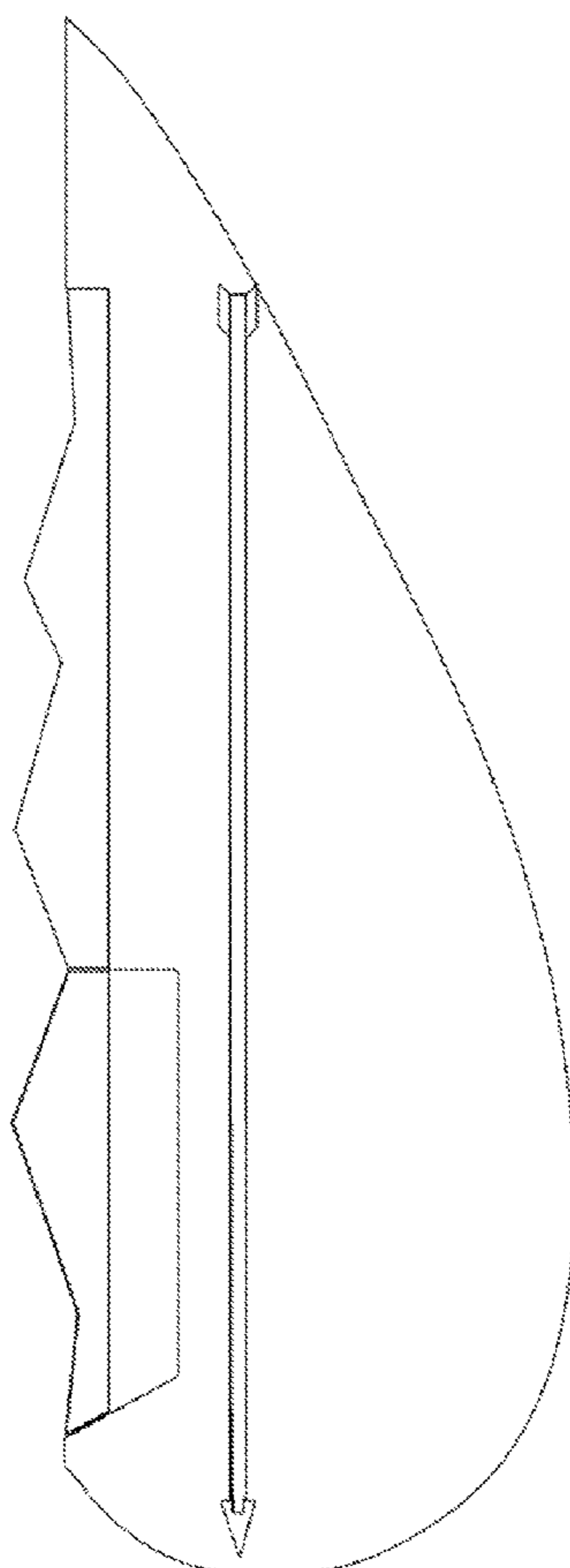
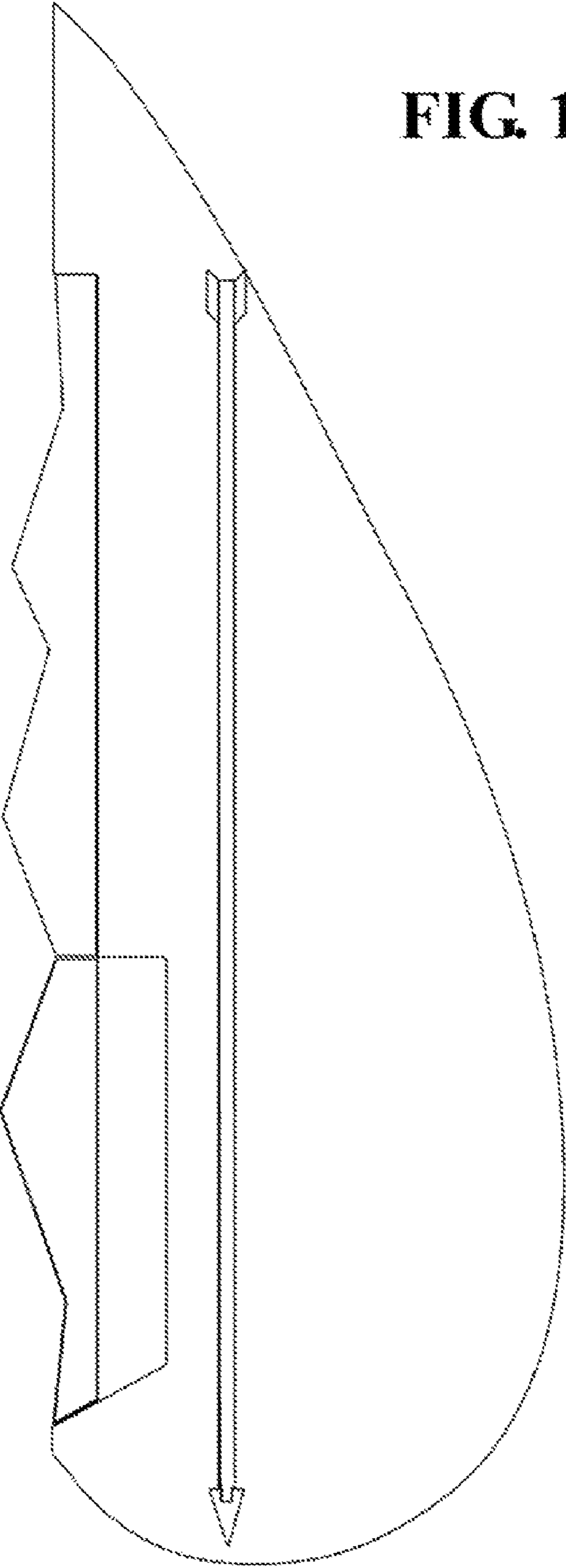


FIG. 1



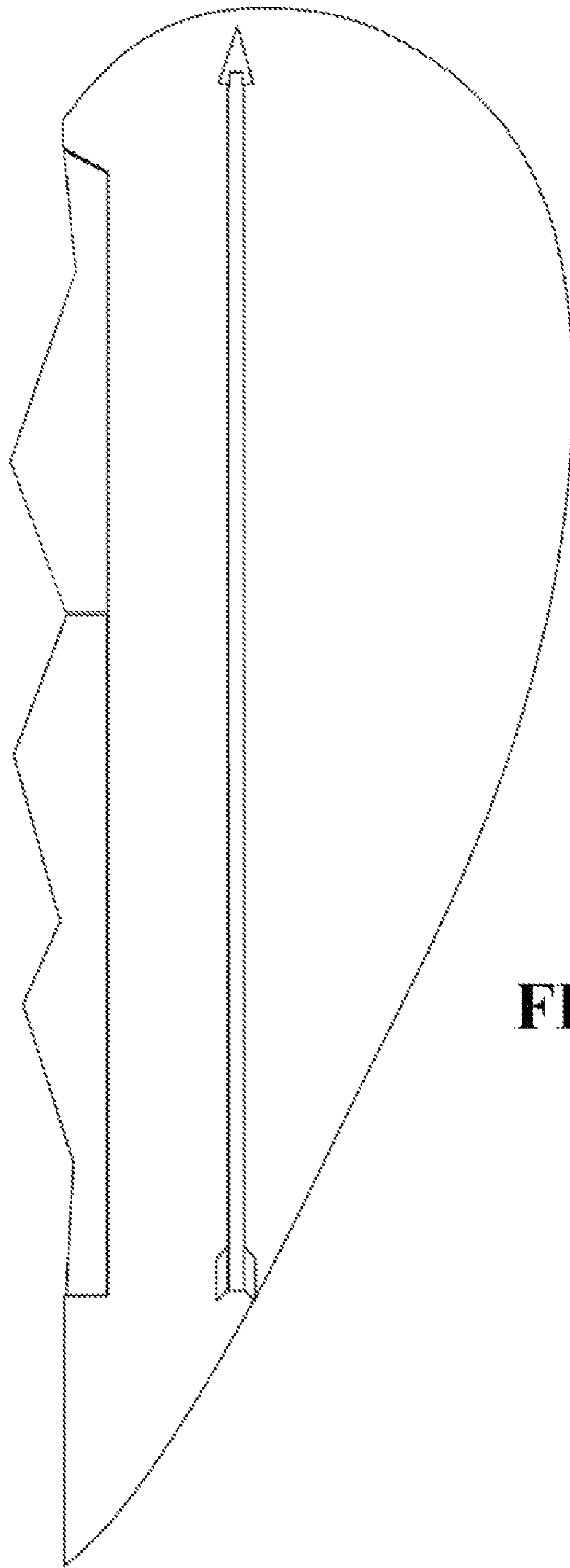


FIG. 2

FIG. 3

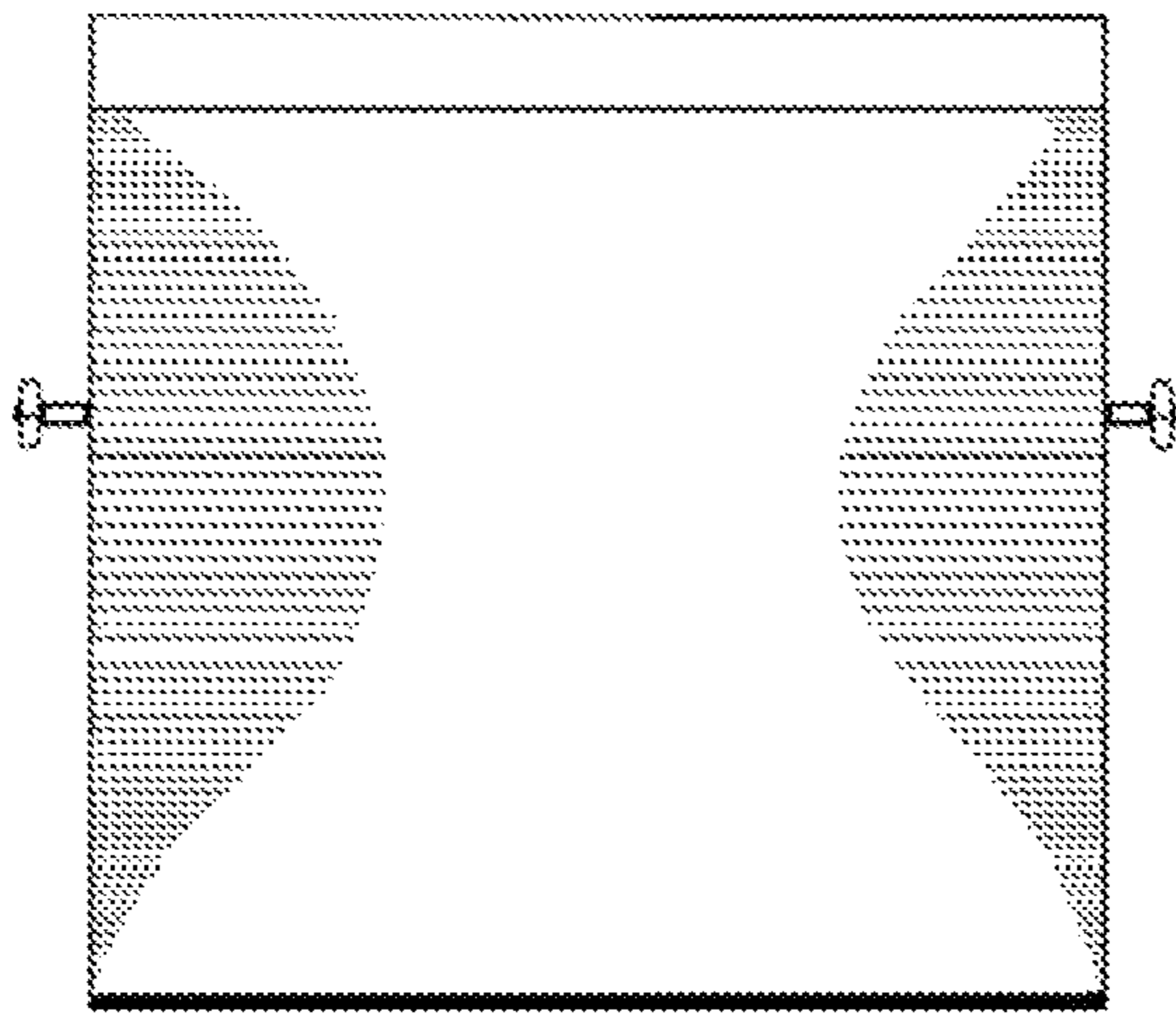


FIG. 4

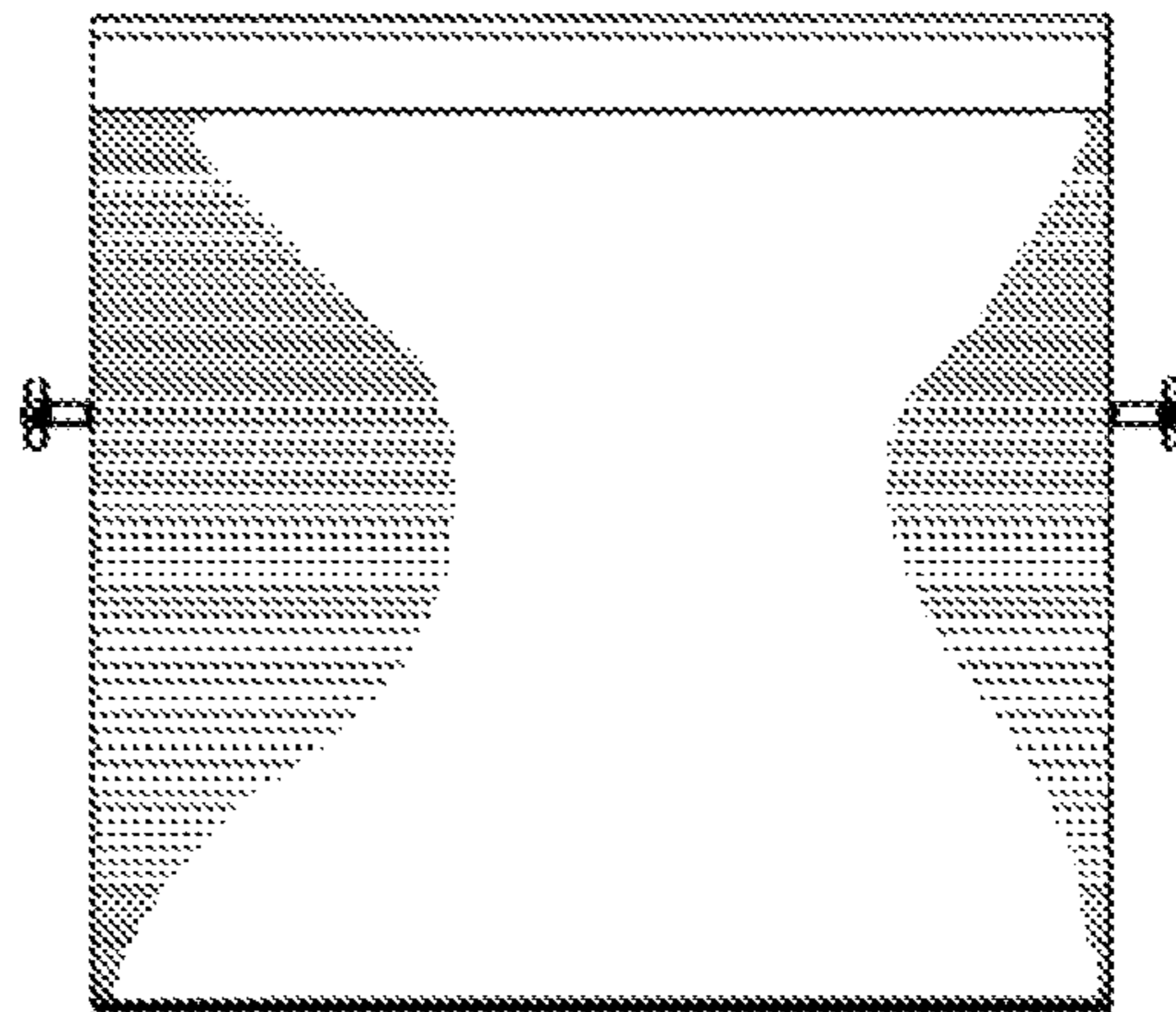


FIG. 5

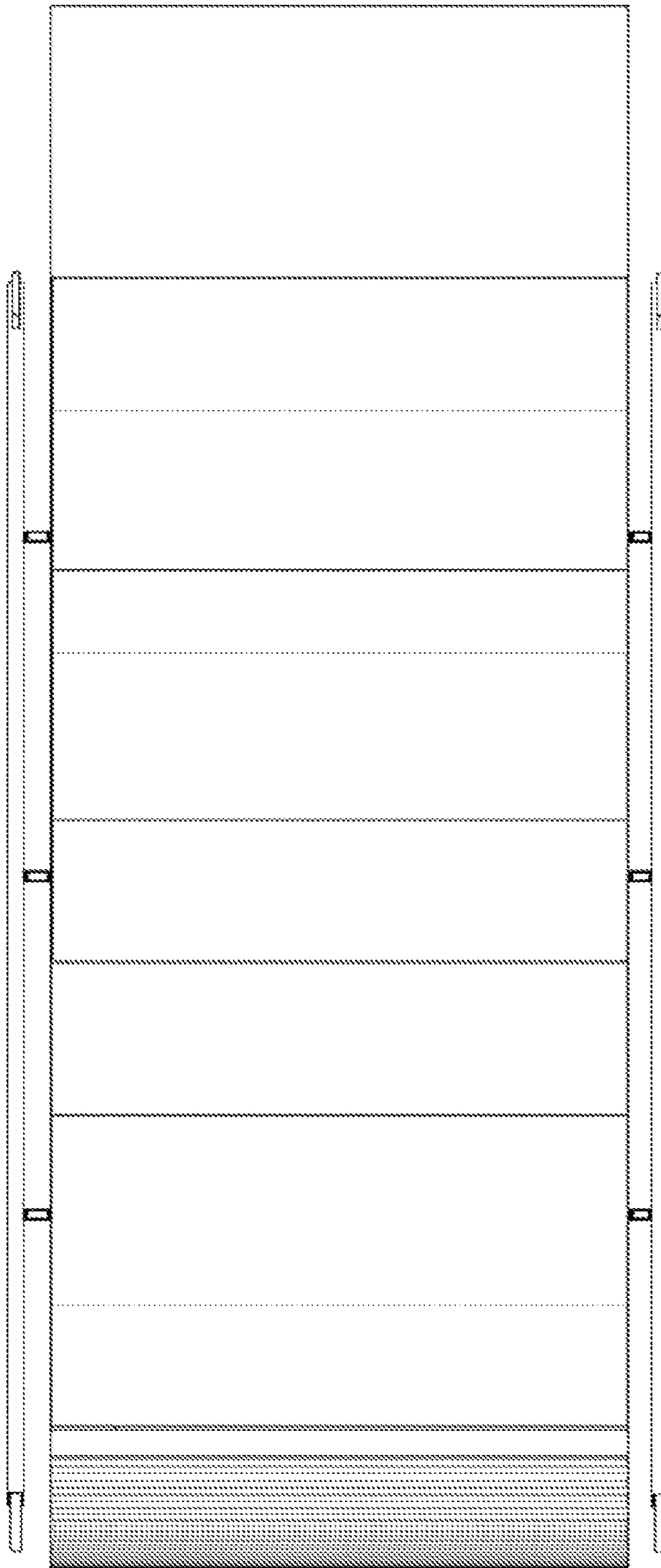


FIG. 6

