



US00D652194S

(12) **United States Design Patent**
Shibata et al.

(10) **Patent No.:** **US D652,194 S**

(45) **Date of Patent:** **** Jan. 10, 2012**

(54) **FORKLIFT TRUCK**

(75) Inventors: **Naoki Shibata**, Tokyo (JP); **Yuji Mori**, Tokyo (JP)

(73) Assignee: **Mitsubishi Heavy Industries, Ltd.**, Tokyo (JP)

(**) Term: **14 Years**

(21) Appl. No.: **29/388,705**

(22) Filed: **Mar. 31, 2011**

(51) **LOC (9) Cl.** **12-05**

(52) **U.S. Cl.** **D34/34**

(58) **Field of Classification Search** D34/34,
D34/35; 187/222, 234, 226, 238; 414/631,
414/572, 592; 180/89.12, 89.13, 89.17
See application file for complete search history.

(56) **References Cited**

U.S. PATENT DOCUMENTS

D538,004 S * 3/2007 Kouyama et al. D34/34
D557,474 S * 12/2007 Kouyama et al. D34/34
D576,775 S * 9/2008 Buchmann et al. D34/35

D578,271 S * 10/2008 Mori et al. D34/34
D612,563 S * 3/2010 Stark D34/34
D613,024 S * 3/2010 Yakushi D34/34
D613,474 S * 4/2010 Yakushi D34/34
D634,504 S * 3/2011 Radaelli D34/34

* cited by examiner

Primary Examiner — Cynthia Ramirez

(74) *Attorney, Agent, or Firm* — Birch, Stewart, Kolasch & Birch, LLP

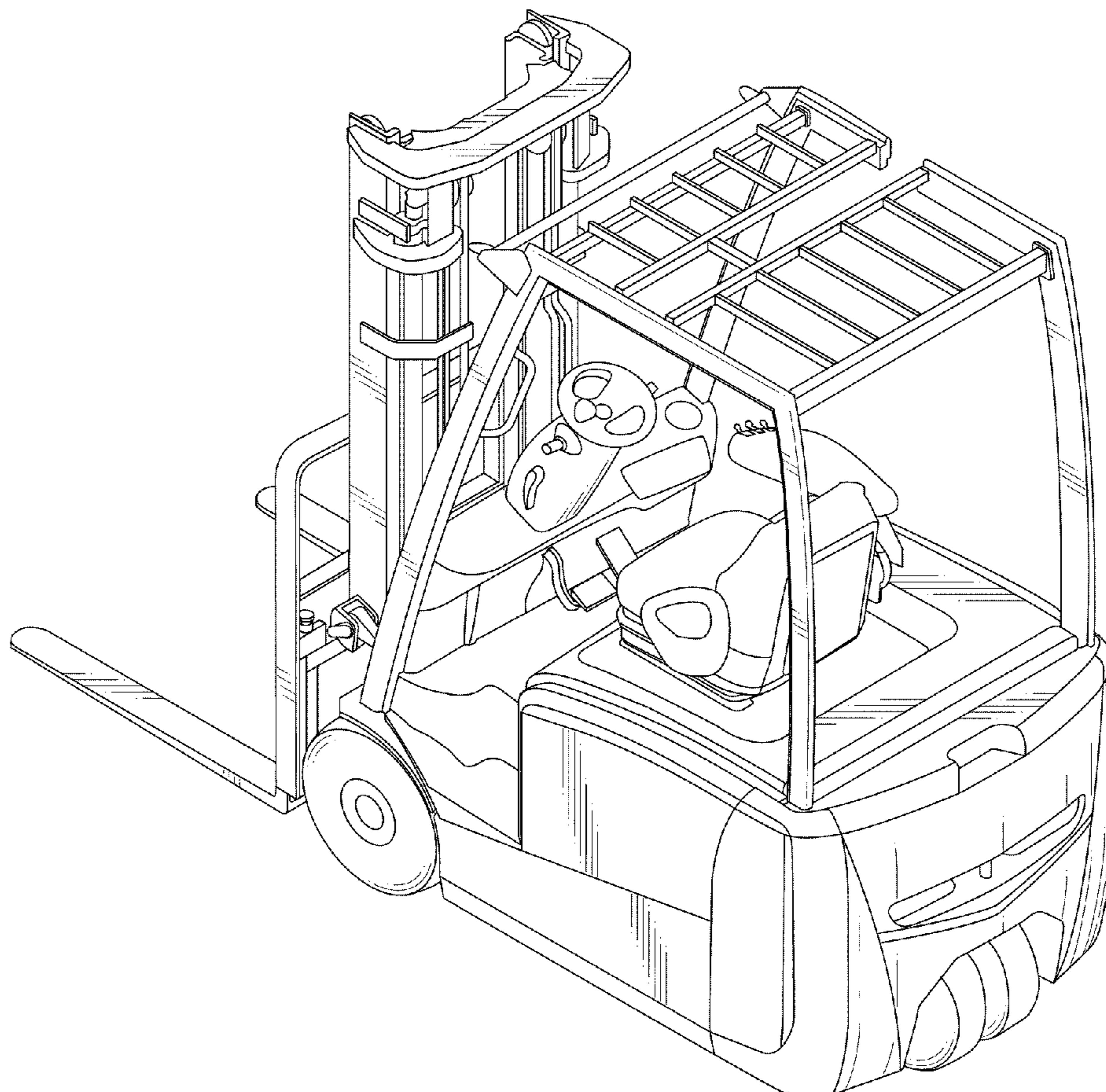
(57) **CLAIM**

The ornamental design for a forklift truck, as shown and described.

DESCRIPTION

FIG. 1 is a perspective view of a forklift truck.
FIG. 2 is a front elevation view thereof.
FIG. 3 is a rear elevation view thereof.
FIG. 4 is a left side elevation view thereof.
FIG. 5 is a right side elevation view thereof.
FIG. 6 is a top plan view thereof; and,
FIG. 7 is a bottom plan view thereof.

1 Claim, 7 Drawing Sheets



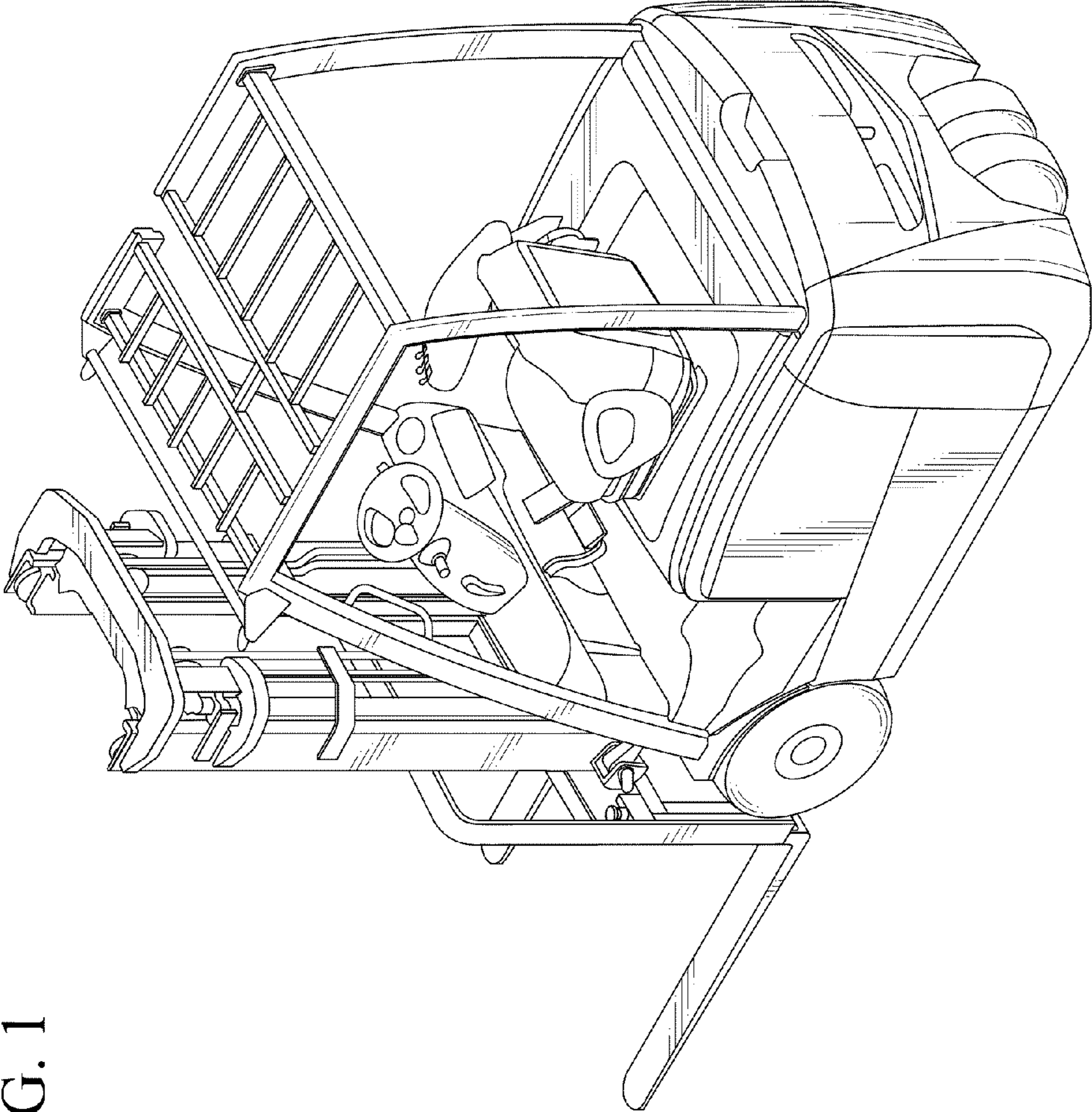


FIG. 1

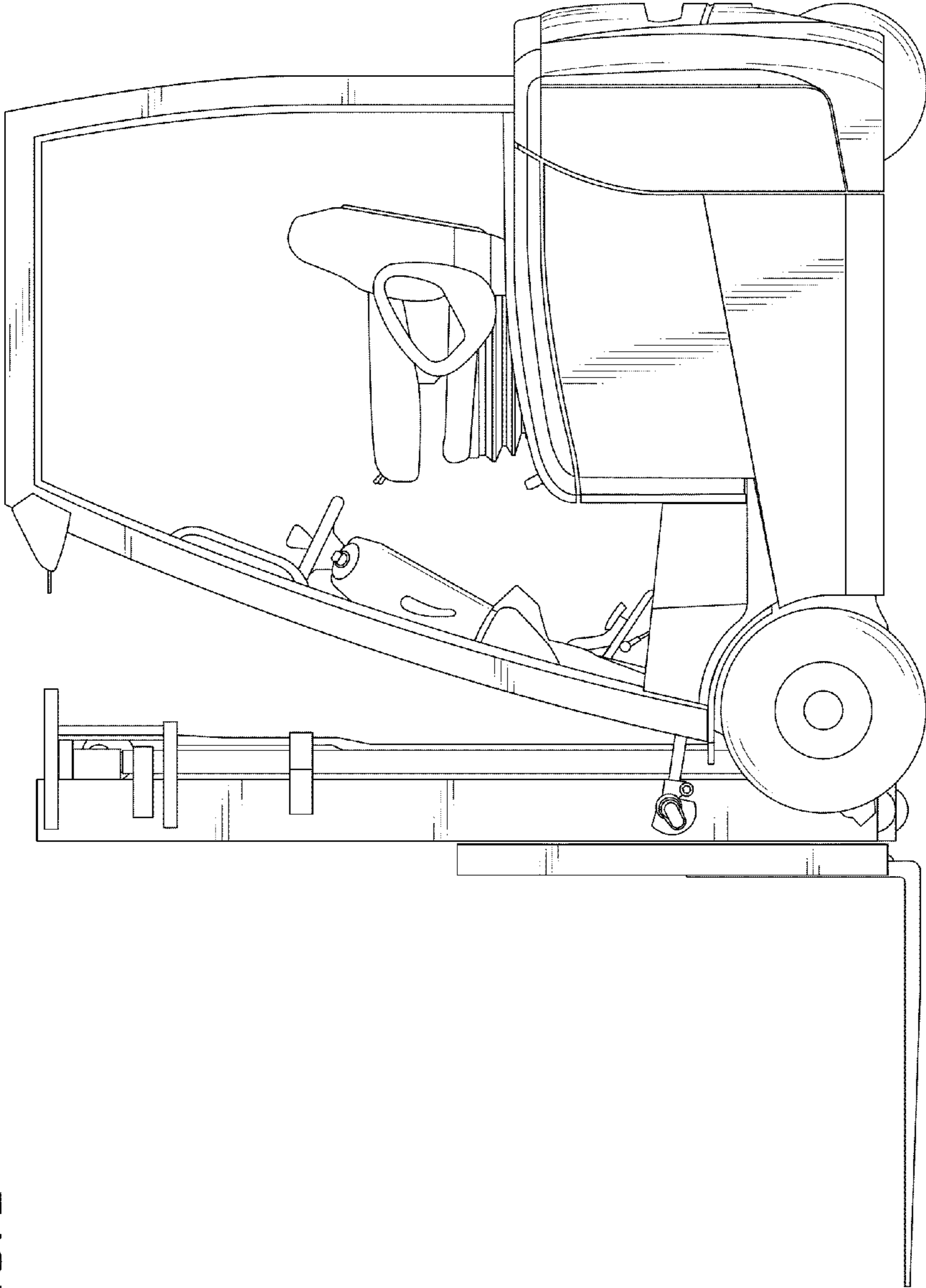


FIG. 2

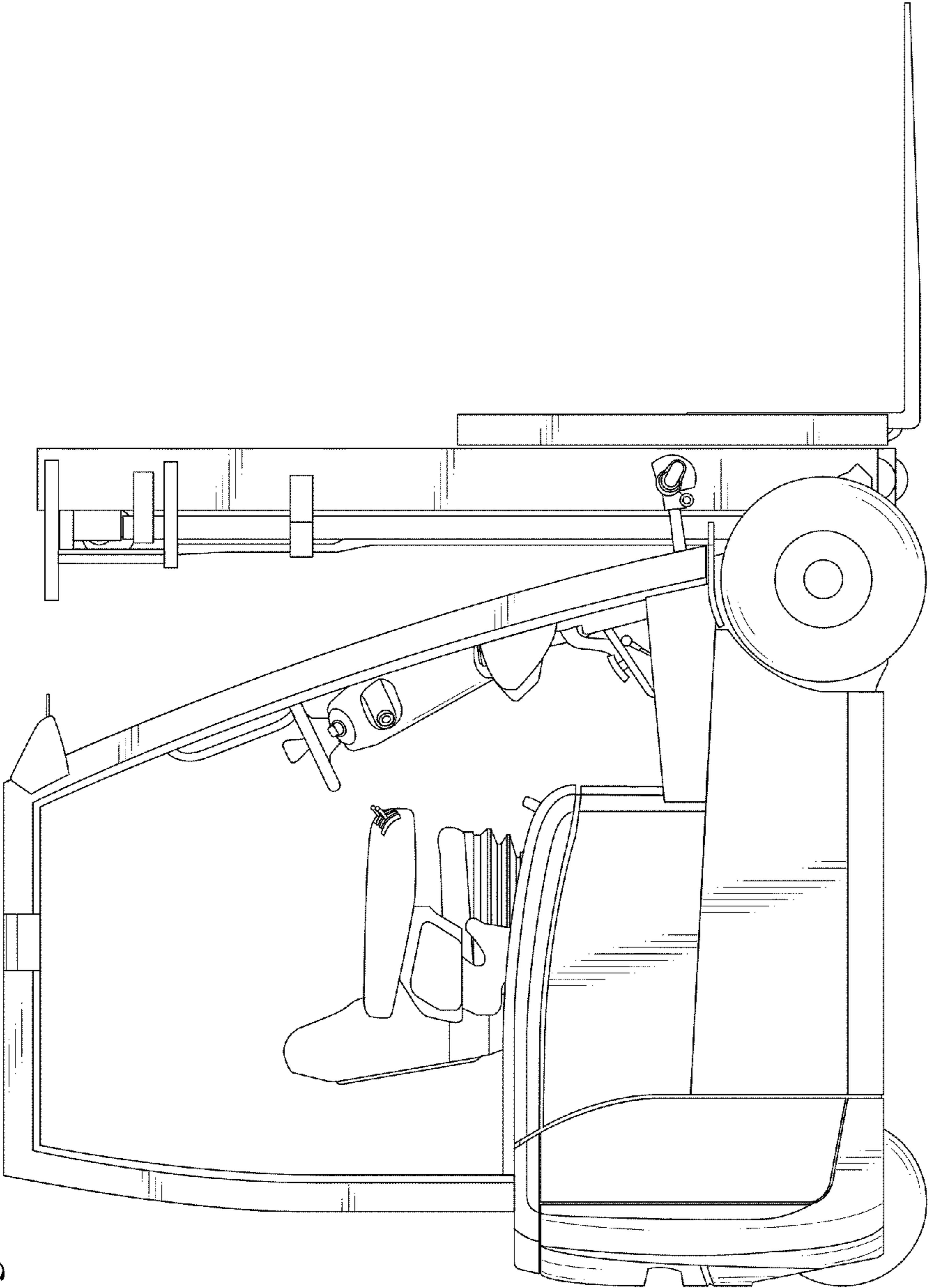


FIG. 3

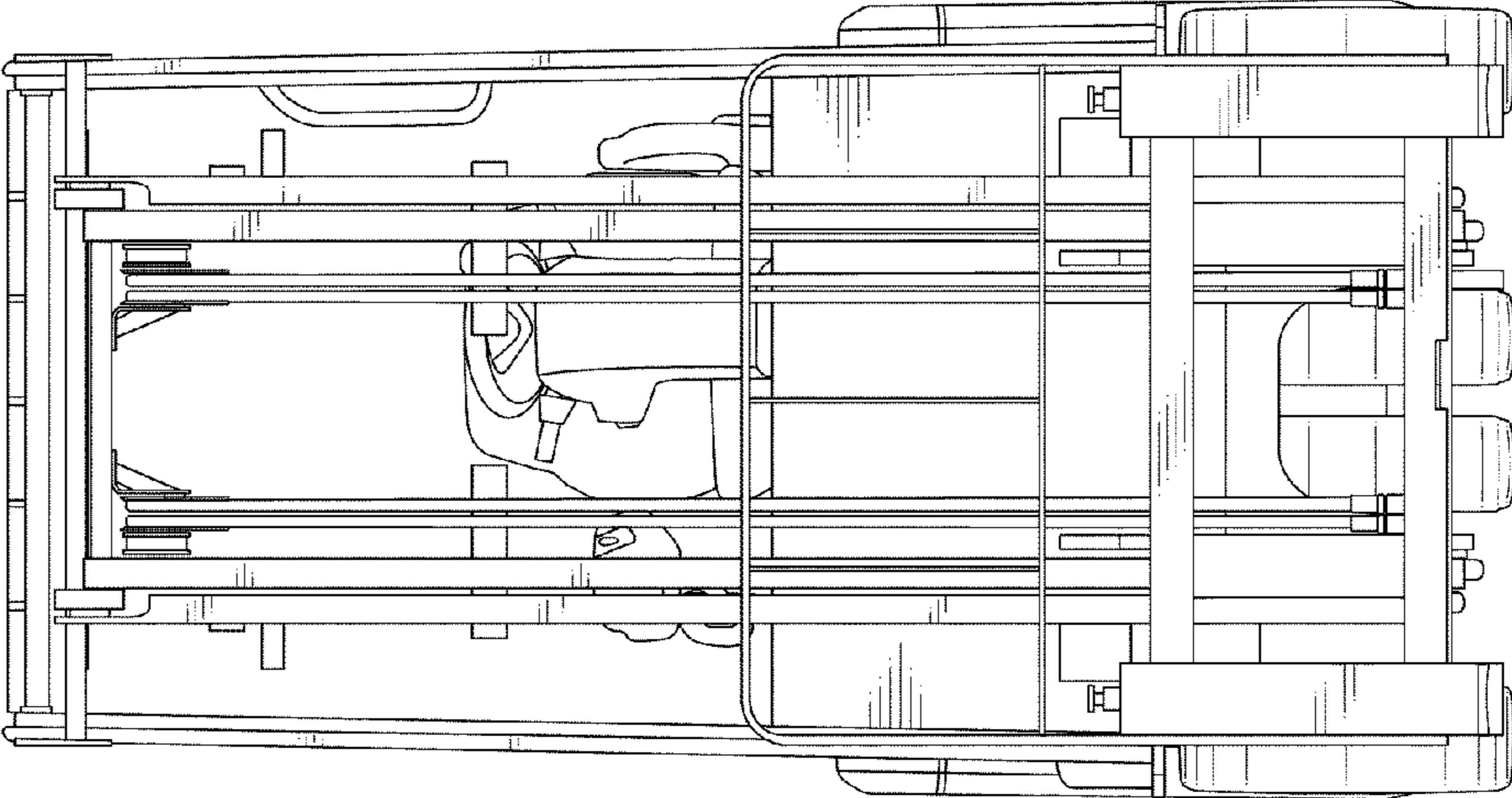


FIG. 4

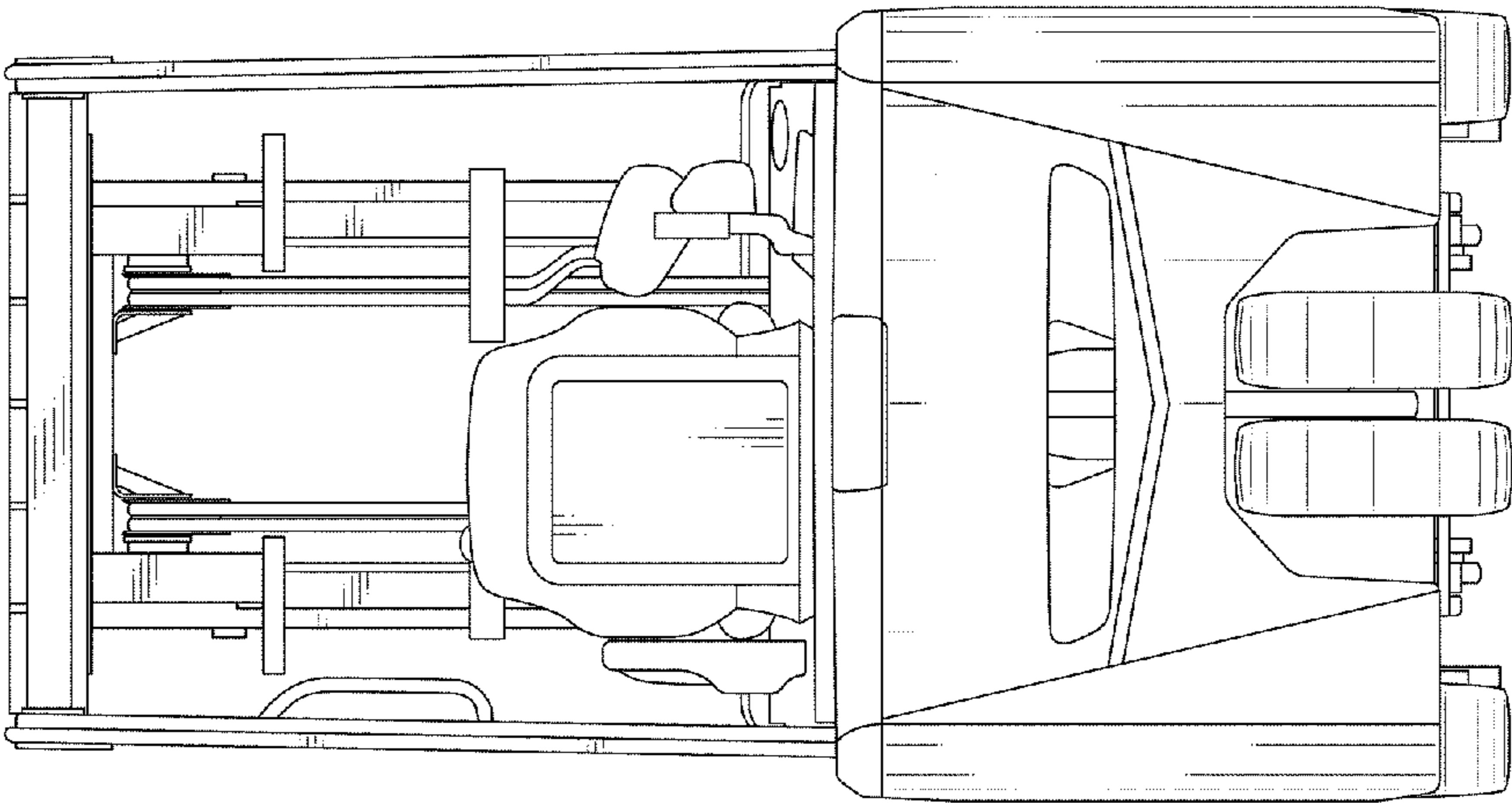


FIG. 5

FIG. 6

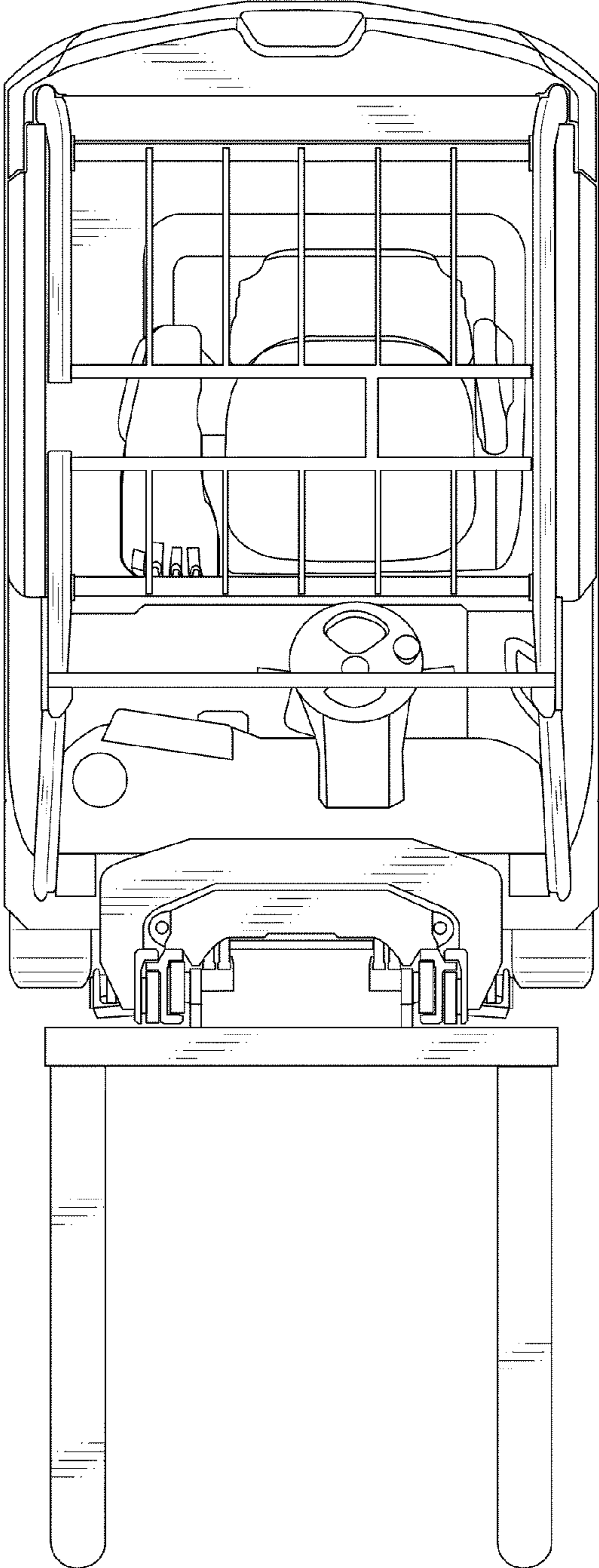


FIG. 7

