



US00D652193S

(12) **United States Design Patent**
Blaszczak et al.

(10) **Patent No.:** **US D652,193 S**
(45) **Date of Patent:** **** Jan. 10, 2012**

(54) **POLY-METAL HOSE REEL WITH VERTICAL EXTRUSION DIRECTION OF COMPONENTS**

6,386,473 B1 * 5/2002 Vitaletti 242/403.1
D503,837 S * 4/2005 Alkalay D34/14
2004/0188558 A1 * 9/2004 Moon et al. 242/403.1

(75) Inventors: **Greg Blaszczak**, Hummelstown, PA (US); **Peter Arcati**, Dillsburg, PA (US)

OTHER PUBLICATIONS

(73) Assignee: **Ames True Temper, Inc.**, Camp Hill, PA (US)

AMAZON.COM—Advertisement, Image of Suncast SHA150B 150-Foot Capacity Garden Hose, Jul. 22, 2010, 1 page.
AMAZON.COM—Advertisement, Image of Suncast HRC200 Hosemobile 225-Foot Hose Reel Cart, Jul. 22, 2010, 1 page.

(**) Term: **14 Years**

* cited by examiner

(21) Appl. No.: **29/389,242**

Primary Examiner — Cynthia Ramirez

(22) Filed: **Apr. 8, 2011**

(74) *Attorney, Agent, or Firm* — Eckert Seamans Cherin & Mellott, LLC; David C. Jenkins, Esquire

(51) **LOC (9) Cl.** **12-02**

(52) **U.S. Cl.** **D34/24**

(58) **Field of Classification Search** D34/12-27;
242/403.1, 395; 280/33.991, 33.992, 47.18,
280/47.26, 47.34; D8/356, 359

(57) **CLAIM**

The ornamental design for poly-metal hose reel with vertical extrusion direction of components, as shown and described.

See application file for complete search history.

DESCRIPTION

(56) **References Cited**

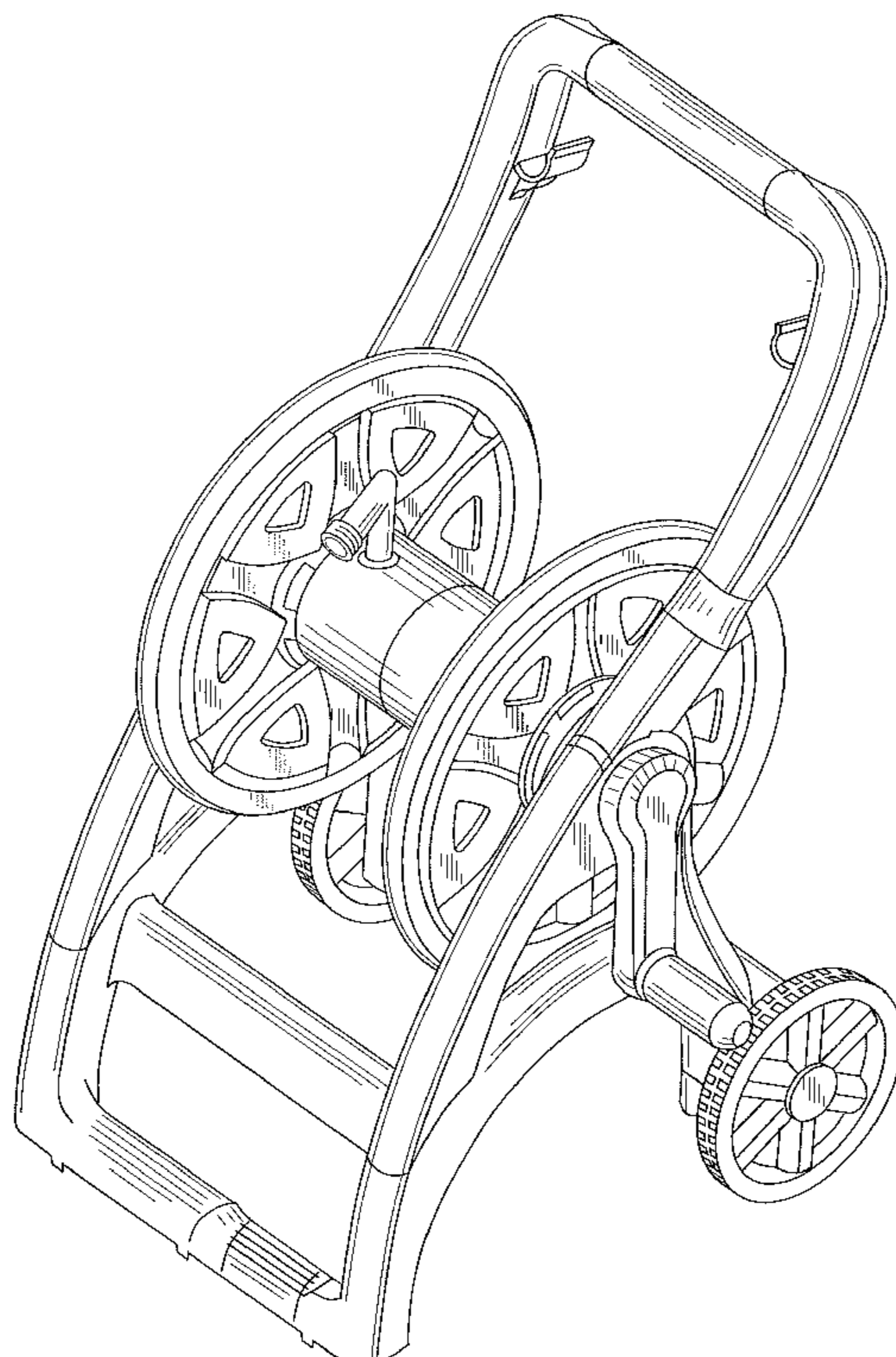
FIG. 1 is an isometric view of the poly-metal hose reel with vertical extrusion direction of components showing our new design;

U.S. PATENT DOCUMENTS

3,286,502 A	11/1966	Cogan	
RE32,510 E *	9/1987	Tisbo et al.	137/355.27
D328,173 S *	7/1992	Nelson	D34/26
D349,039 S *	7/1994	Goodman et al.	D8/359
D352,149 S *	11/1994	Nelson et al.	D34/26
D390,095 S	2/1998	Spear et al.	
D390,315 S *	2/1998	Spear et al.	D34/24
D395,111 S	6/1998	Spear	
D409,813 S *	5/1999	Tisbo et al.	D34/24
D417,538 S *	12/1999	Tisbo et al.	D34/24
D418,270 S *	12/1999	Tisbo et al.	D34/24

FIG. 2 is a front view of the poly-metal hose reel;
FIG. 3 is a back view of the poly-metal hose reel;
FIG. 4 is a top view of the poly-metal hose reel;
FIG. 5 is a right side view of the poly-metal hose reel; and,
FIG. 6 is a left side view of the poly-metal hose reel.
The broken lines in the figures are included for the purpose of illustrating portions of the hose reel and form no part of the claimed design.

1 Claim, 6 Drawing Sheets



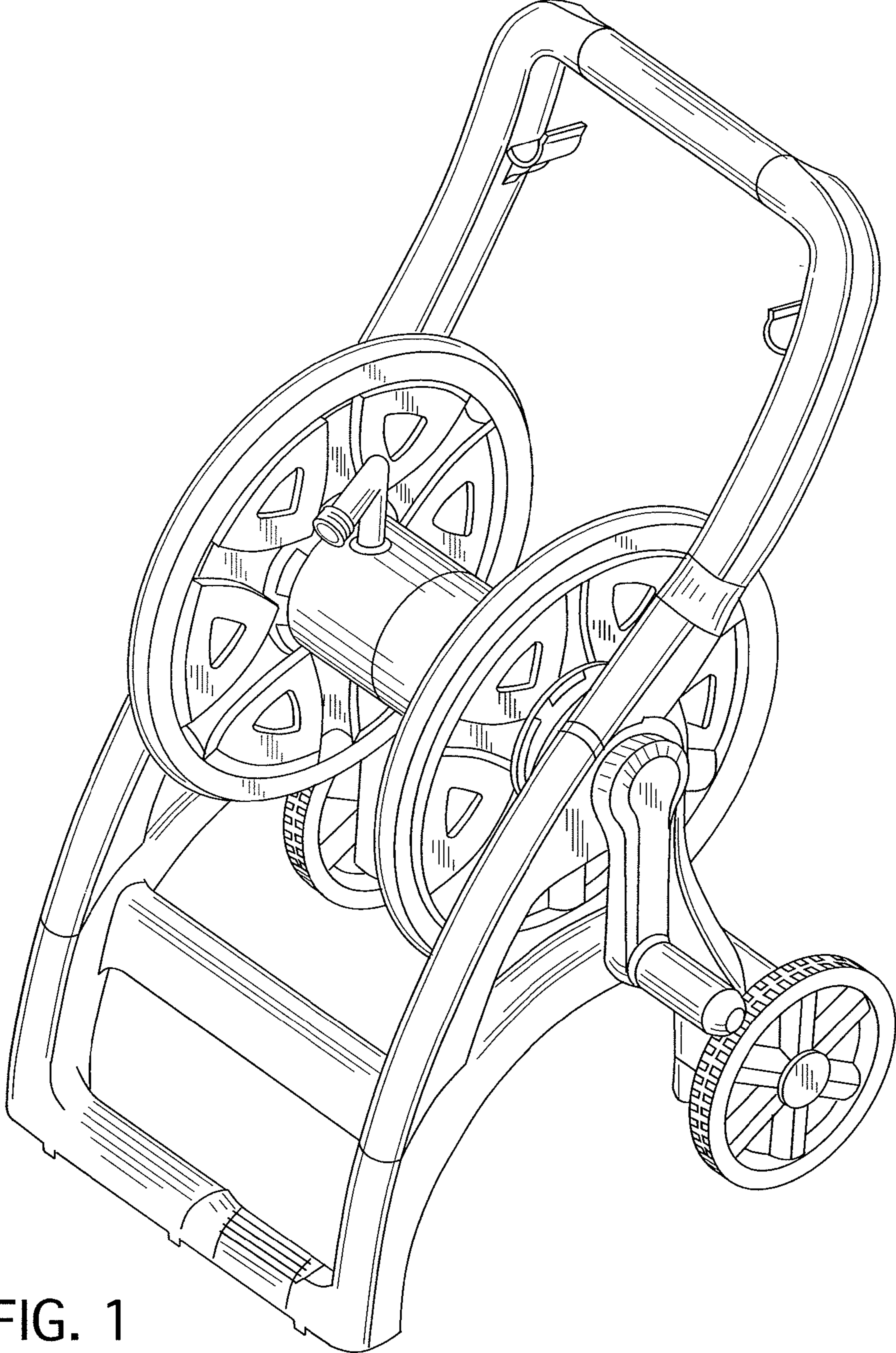


FIG. 1

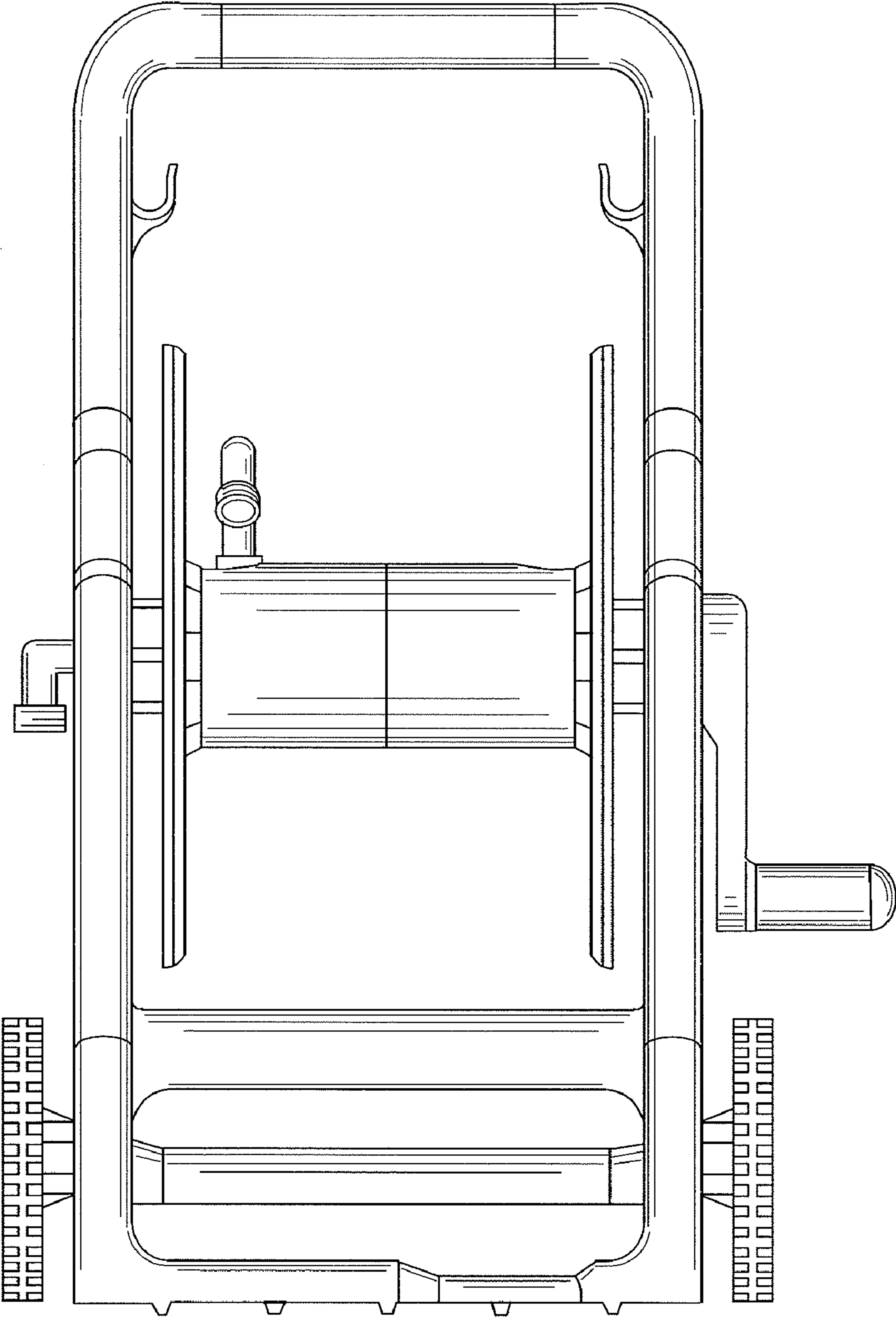


FIG. 2

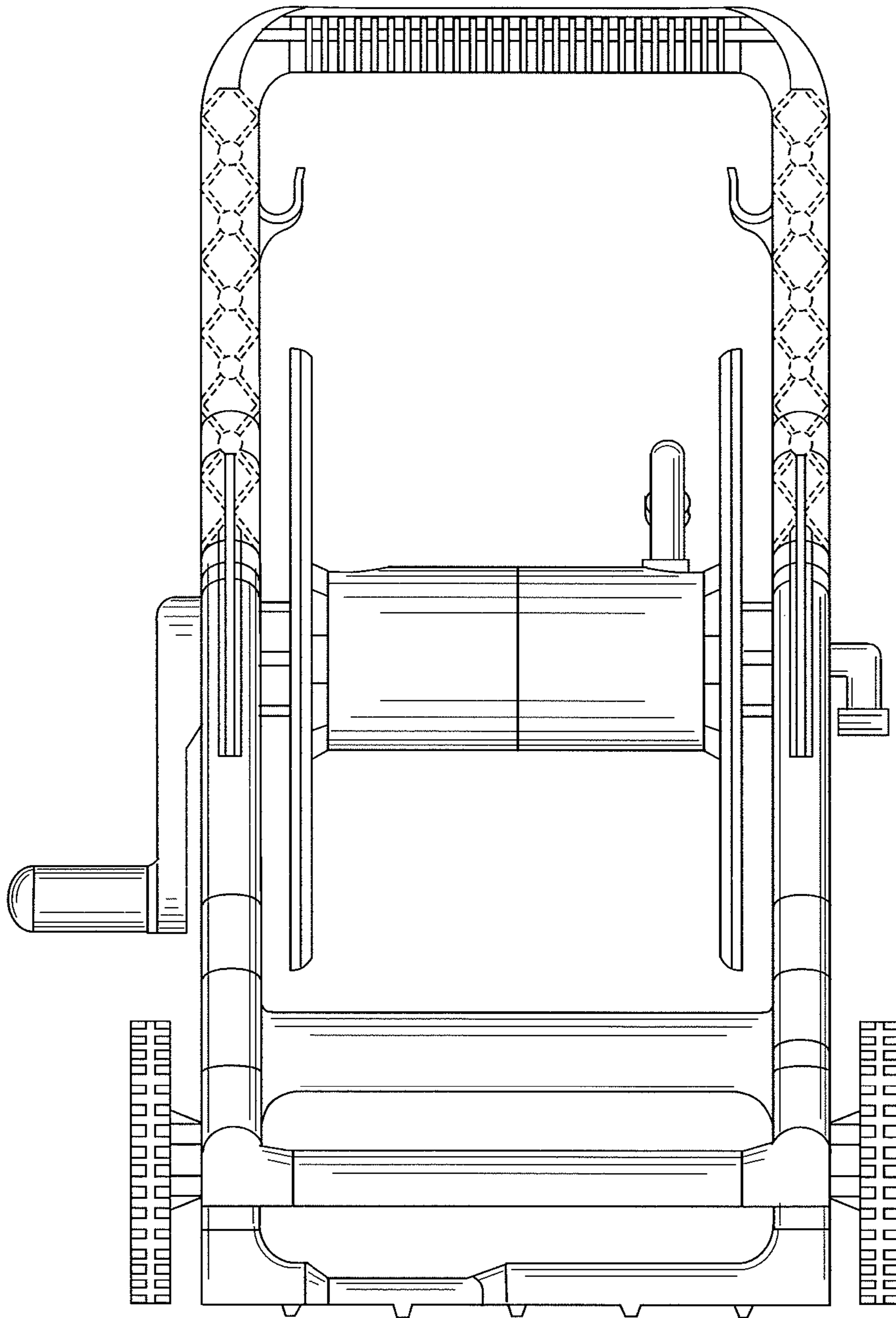


FIG. 3

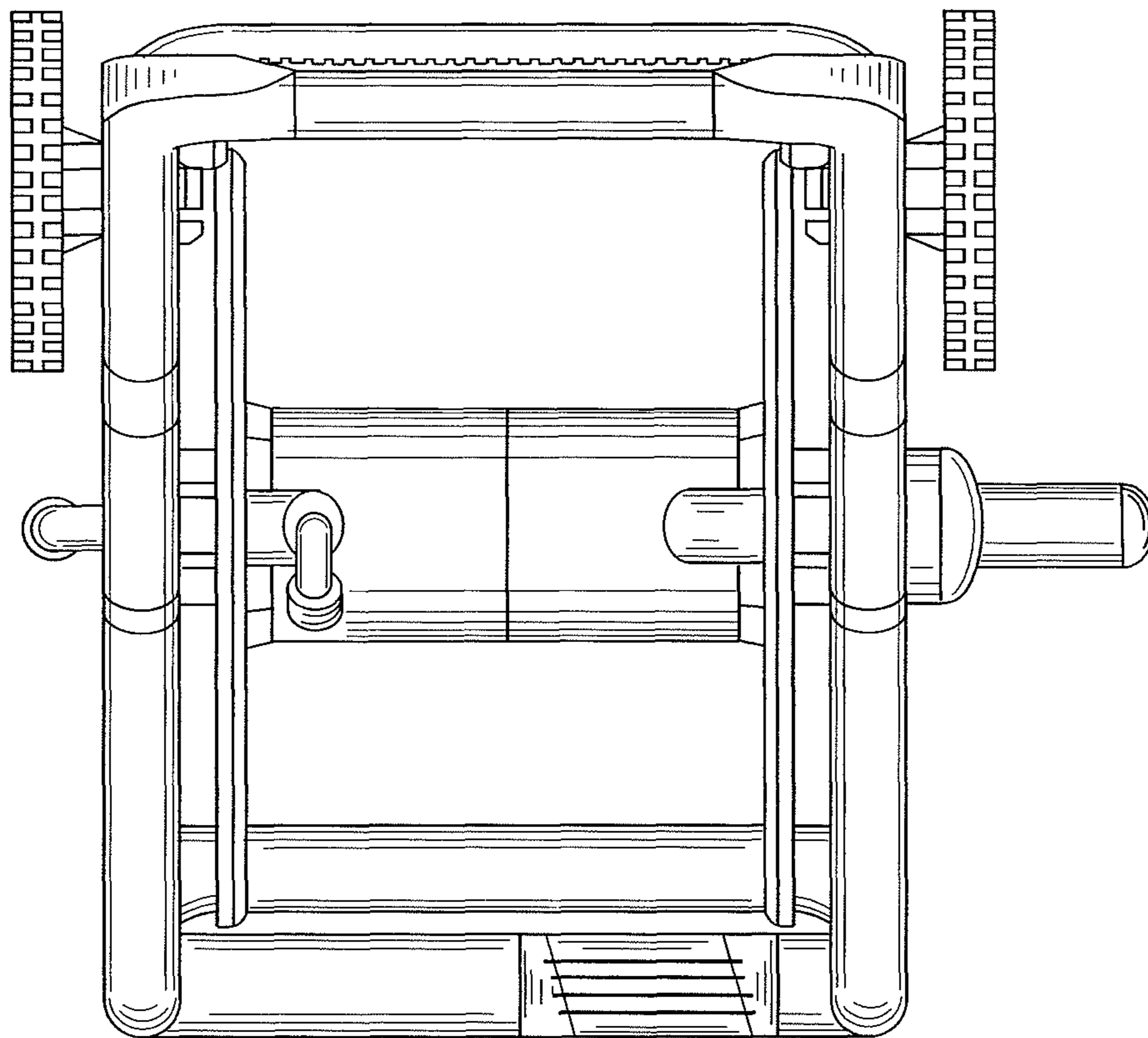


FIG. 4

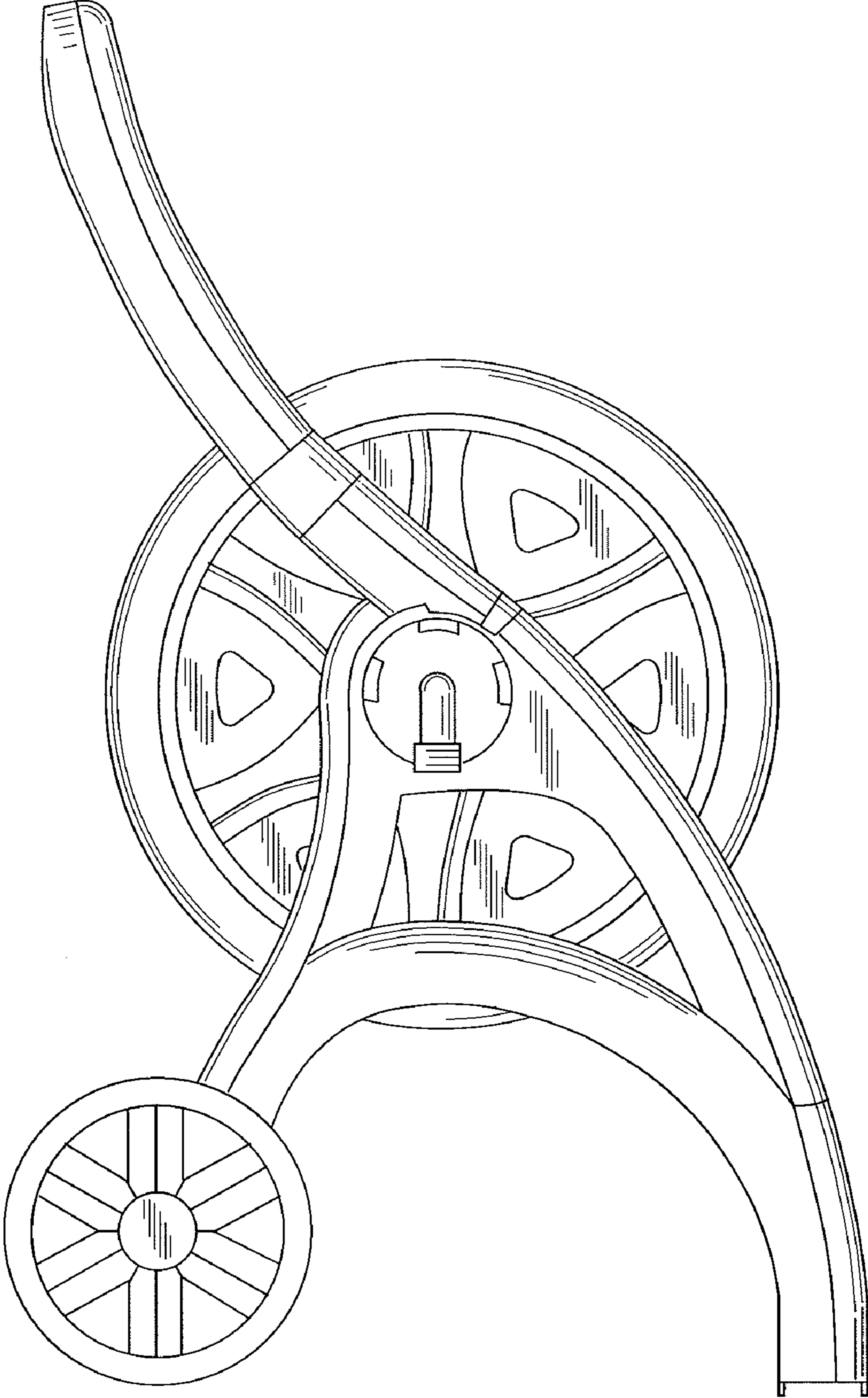


FIG. 5

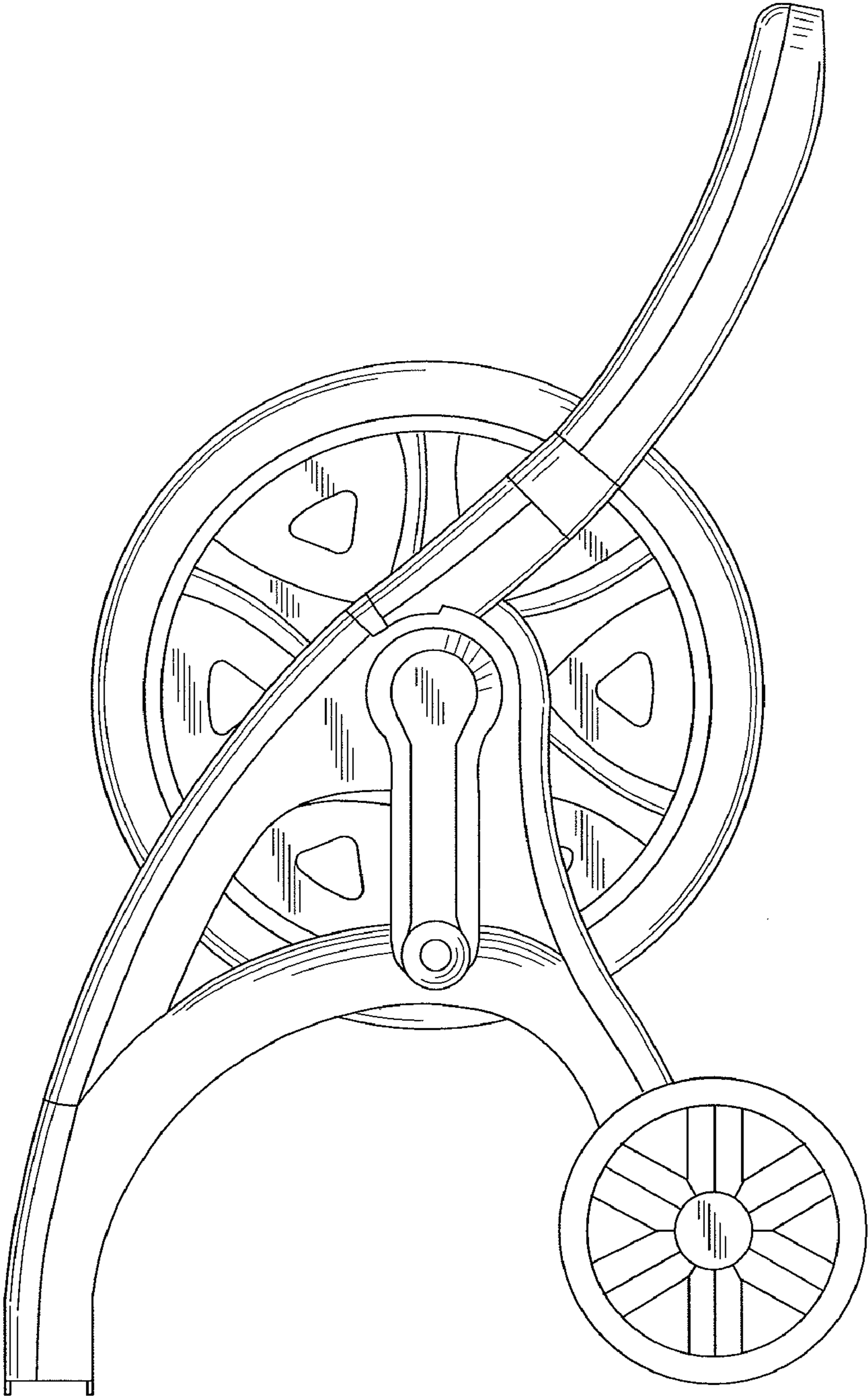


FIG. 6