

US00D652190S

(12) **United States Design Patent**
Slaton et al.

(10) **Patent No.:** **US D652,190 S**
(45) **Date of Patent:** **** *Jan. 10, 2012**

(54) **CART**
(75) Inventors: **Robin R. Slaton**, Fort Collins, CO (US);
Allen Killebrew, Longmont, CO (US)
(73) Assignee: **Swift Distribution, Inc.**, Loveland, CO
(US)
(*) Notice: This patent is subject to a terminal disclaimer.

D264,852 S 6/1982 Schoenig
D268,458 S 4/1983 Schoenig
4,445,415 A 5/1984 Izquierdo
4,448,440 A 5/1984 Gier
4,606,550 A 8/1986 Cone
4,637,626 A 1/1987 Foss et al.
D288,755 S 3/1987 Schoenig
D289,952 S 5/1987 Kido
D290,355 S 6/1987 Nagele
4,669,691 A 6/1987 Solomon
4,717,168 A 1/1988 Moon, Sr.

(Continued)

(**) Term: **14 Years**

FOREIGN PATENT DOCUMENTS

(21) Appl. No.: **29/353,753**

CA 2594892 7/2005

(Continued)

(22) Filed: **Jan. 13, 2010**

(51) **LOC (9) Cl.** **12-02**

(52) **U.S. Cl.** **D34/17**

(58) **Field of Classification Search** D34/12-27;
280/47.11, 47.16, 47.24, 47.27, 47.19, 47.34,
280/79.11, 47.18, 33.998, 79.3

See application file for complete search history.

OTHER PUBLICATIONS

Konig & Meyer Spider Keyboard Stand, audioMIDI.com Dec. 28, 2004.

(Continued)

(56) **References Cited**

U.S. PATENT DOCUMENTS

D18,940 S 2/1889 Jackson
688,623 A 12/1901 Forry
1,662,730 A 3/1928 Wertemberger et al.
2,263,879 A 11/1941 Jorgensen
D137,960 S 5/1944 Hagar
2,519,113 A 8/1950 Cohn
2,620,041 A 12/1952 Chenette et al.
2,820,643 A 1/1958 Cohn
3,104,890 A 9/1963 Hill
3,206,790 A 9/1965 Romay
3,338,539 A 8/1967 Foster
3,423,103 A 1/1969 Maltarp
3,702,016 A 11/1972 Keesee
3,759,538 A 9/1973 Fabiano
3,761,107 A 9/1973 Docherty et al.
3,837,667 A 9/1974 Sernovitz
4,009,891 A 3/1977 Jensen
D257,987 S 1/1981 Schoenig
4,321,874 A 3/1982 Cenna, III

Primary Examiner — Cynthia E Ramirez

(74) *Attorney, Agent, or Firm* — Santangelo Law Offices, P.C.

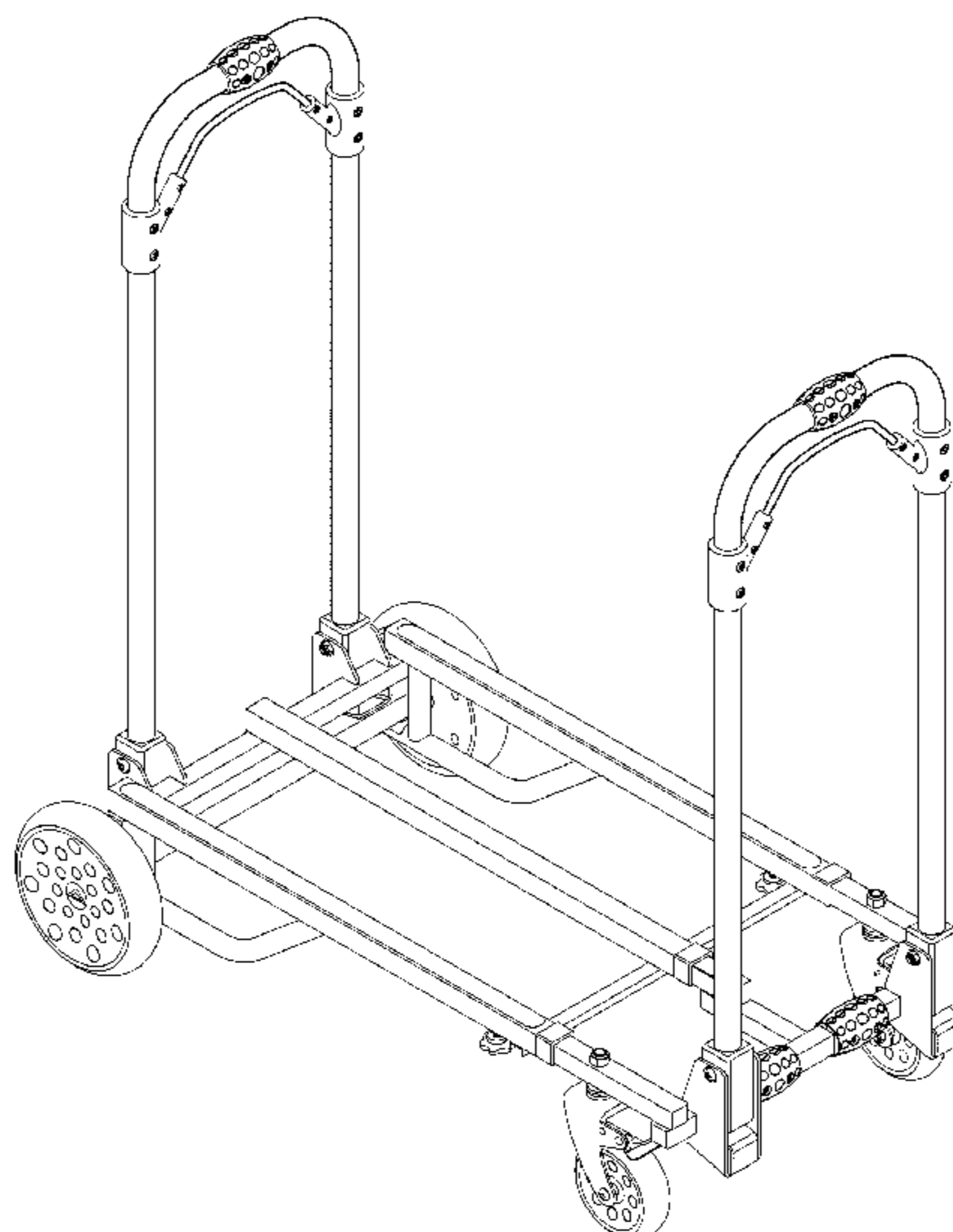
(57) **CLAIM**

The ornamental design for a cart, as shown and described.

DESCRIPTION

FIG. 1 shows a perspective view of the cart showing our new design;
FIG. 2 is a front view thereof;
FIG. 3 is a front view thereof;
FIG. 4 is a top view thereof;
FIG. 5 is a bottom view thereof;
FIG. 6 is a left side view thereof; and,
FIG. 7 is a right side view thereof.
The design of FIGS. 1-7 is embodied in a cart that may be used to facilitate transport of a variety of items.

1 Claim, 7 Drawing Sheets



US D652,190 S

U.S. PATENT DOCUMENTS

| | | | | |
|-----------|----|-----------|------------------------|---------|
| 4,763,865 | A | 8/1988 | Danner | |
| 4,770,380 | A | 9/1988 | Eason et al. | |
| 4,796,909 | A | 1/1989 | Kirkendall | |
| 4,830,385 | A | 5/1989 | Wallick et al. | |
| D304,270 | S | 10/1989 | Goldman | |
| 4,902,027 | A | 2/1990 | Skelly | |
| D306,943 | S | 4/1990 | Hodge et al. | |
| 4,917,341 | A | 4/1990 | Pirchio | |
| 4,921,270 | A | 5/1990 | Schoberg | |
| 4,988,064 | A | 1/1991 | Hoshino | |
| 4,988,150 | A | 1/1991 | Lindow et al. | |
| 5,029,796 | A | 7/1991 | Schoenig | |
| D320,034 | S | 9/1991 | Brooks et al. | |
| 5,048,789 | A | 9/1991 | Eason et al. | |
| D321,293 | S | 11/1991 | Kucsak | |
| D323,081 | S | 1/1992 | Schaffer | |
| 5,090,725 | A | 2/1992 | Feldner | |
| 5,112,020 | A | 5/1992 | Ginsberg | |
| D326,748 | S | * 6/1992 | Kirk | D34/17 |
| D326,969 | S | 6/1992 | Eason et al. | |
| D329,342 | S | 9/1992 | Schoenig | |
| 5,165,635 | A | 11/1992 | Hoshino | |
| 5,188,321 | A | 2/1993 | Hirschenson et al. | |
| 5,199,930 | A | 4/1993 | Weber | |
| D335,889 | S | 5/1993 | Gibran | |
| 5,208,736 | A | 5/1993 | Crooks et al. | |
| D336,099 | S | 6/1993 | Schoenig | |
| 5,228,716 | A | 7/1993 | Dahl | |
| 5,251,925 | A | 10/1993 | Haley, Sr. | |
| 5,301,910 | A | 4/1994 | Lang et al. | |
| 5,312,076 | A | 5/1994 | Rogov | |
| 5,322,250 | A | 6/1994 | Wilhite, Jr. | |
| 5,358,204 | A | 10/1994 | Terada | |
| 5,390,764 | A | 2/1995 | Kerber | |
| 5,392,476 | A | 2/1995 | Williams | |
| 5,395,088 | A | 3/1995 | Ginsberg | |
| D364,281 | S | 11/1995 | Eason | |
| D364,516 | S | 11/1995 | Helenowski | |
| 5,467,953 | A | 11/1995 | Malizia | |
| 5,476,282 | A | 12/1995 | Dahl | |
| D366,745 | S | * 1/1996 | Kern et al. | D34/17 |
| 5,509,629 | A | 4/1996 | Sassmannshausen et al. | |
| D370,575 | S | 6/1996 | Lechleiter et al. | |
| 5,565,889 | A | 10/1996 | Crooks et al. | |
| D375,639 | S | 11/1996 | House et al. | |
| 5,572,237 | A | 11/1996 | Crooks et al. | |
| 5,603,480 | A | 2/1997 | Chen | |
| 5,732,928 | A | 3/1998 | Chang | |
| D396,918 | S | * 8/1998 | Golichowski et al. | D34/12 |
| D400,735 | S | 11/1998 | House et al. | |
| 5,857,649 | A | 1/1999 | Eason | |
| 5,894,406 | A | 4/1999 | Blend et al. | |
| D409,020 | S | 5/1999 | Hardin | |
| D409,594 | S | 5/1999 | Lepack | |
| D414,962 | S | 10/1999 | Welsh et al. | |
| D416,464 | S | 11/1999 | Eason | |
| 5,996,814 | A | 12/1999 | Workman et al. | |
| D421,447 | S | 3/2000 | Eason | |
| 6,045,179 | A | 4/2000 | Harrison | |
| D435,365 | S | 12/2000 | Eason et al. | |
| 6,283,421 | B1 | 9/2001 | Eason et al. | |
| D450,339 | S | 11/2001 | Eason | |
| 6,343,802 | B1 | 2/2002 | Workman et al. | |
| 6,375,135 | B1 | 4/2002 | Eason et al. | |
| 6,488,304 | B2 | * 12/2002 | Krawczyk | 280/408 |
| D468,133 | S | 1/2003 | Lauts | |
| D470,336 | S | 2/2003 | Malizia | |
| 6,563,035 | B2 | 5/2003 | Hsieh | |
| D475,555 | S | 6/2003 | Lauts | |
| 6,609,686 | B2 | 8/2003 | Malizia | |
| 6,695,268 | B1 | 2/2004 | Hsieh | |
| D490,200 | S | * 5/2004 | Arceta | D34/17 |
| D493,363 | S | 7/2004 | Eason | |
| 6,789,772 | B2 | 9/2004 | Eason | |
| 6,814,332 | B2 | 11/2004 | Eason | |
| D506,219 | S | 6/2005 | Eason | |

| | | | |
|--------------|-----|---------|--------------------------------|
| 7,412,069 | B2 | 8/2008 | Workman et al. |
| D576,870 | S | 9/2008 | Eason et al. |
| D580,262 | S | 11/2008 | Eason et al. |
| 2002/0100852 | A1 | 8/2002 | Eason et al. |
| 2002/0109051 | A1 | 8/2002 | Kitagawa et al. |
| 2004/0144233 | A1 | 7/2004 | Hsieh |
| 2005/0035247 | A1 | 2/2005 | Roberts et al. |
| 2008/0135697 | A1 | 6/2008 | Workman et al. |
| 2008/0229901 | A1 | 9/2008 | Eason et al. |
| 2008/0247810 | A1 | 10/2008 | Eason |
| 2010/0096820 | A1* | 4/2010 | Hailston et al. 280/47.11 |

FOREIGN PATENT DOCUMENTS

| | | |
|----|-----------------|------------|
| CA | 122836 | 9/2008 |
| CA | 122838 | 11/2008 |
| CA | 122837 | 6/2009 |
| CA | 126835 | 10/2009 |
| CN | 200730329517.6 | 12/2008 |
| CN | 200730329519.5 | 4/2009 |
| CN | 200730329518 | 11/2009 |
| DE | 11-2004-000-142 | 12/2005 |
| EP | 0294249 | A1 12/1988 |
| EP | 1714272 | 10/2006 |
| GB | 2412850 | 7/2007 |
| GB | 2429494 | 8/2007 |
| JP | 2007-525627 | 9/2007 |
| WO | 2004065841 | 8/2004 |
| WO | 2004066667 | 8/2004 |
| WO | 2005070184 | 8/2004 |
| WO | 20050070132 | A2 4/2005 |
| WO | 20050067541 | A2 7/2005 |
| WO | 2005070123 | 8/2005 |
| WO | 2006073383 | A2 7/2006 |
| WO | 2008134653 | 11/2008 |
| WO | 2009091929 | 7/2009 |

OTHER PUBLICATIONS

Ultimate Support Systems, Inc. 1993 Product Catalog (Music Stand Edition).

Ultimate Support Systems, Inc. 1994 Product Catalog (Music Stand Edition).

Ultimate Support Systems, Inc. 1996 Product Catalog (Music Stand Edition).

Ultimate Support Systems, Inc. 1998 Product Catalog (Music Stand Edition).

Ultimate Support Systems, Inc. 1999 Product Catalog (Music Stand Edition).

Ultimate Support Systems, Inc. 2000 Product Catalog (Music Stand Edition).

Ultimate Support Systems, Inc. 2001 Product Catalog (Music Stand Edition).

Ultimate Support Systems, Inc. 2002 Product Catalog (Music Stand Edition).

Ultimate Support Systems, Inc. 2003 Product Catalog (Music Stand Edition).

Ultimate Support Systems, Inc. 2004 Product Catalog (Bicycle Stand Edition).

Ultimate Support Systems, Inc. 2004 Product Catalog (Music Stand Edition).

Ultimate Support Systems, Inc. 2005 Product Catalog (Bicycle Stand Edition).

Ultimate Support Systems, Inc. 2005 Product Catalog (Music Stand Edition).

Ultimate Support Systems, Inc. 2008 Product Catalog (Music Stand Edition).

Pending U.S. Appl. No. 29/286,257, filed Apr. 27, 2007.

Pending U.S. Appl. No. 29/294,538, filed Jan. 15, 2008.

Pending U.S. Appl. No. 61/144,649, filed Jan. 14, 2009.

Pending U.S. Appl. No. 12/597,905, filed Oct. 27, 2009.

Pending U.S. Appl. No. 29/230,680, filed May 24, 2005.

Rock N' Roller by Gary-Michael Dahl; Modern Drummer, Aug. 1992 pp. 42-43.

* cited by examiner

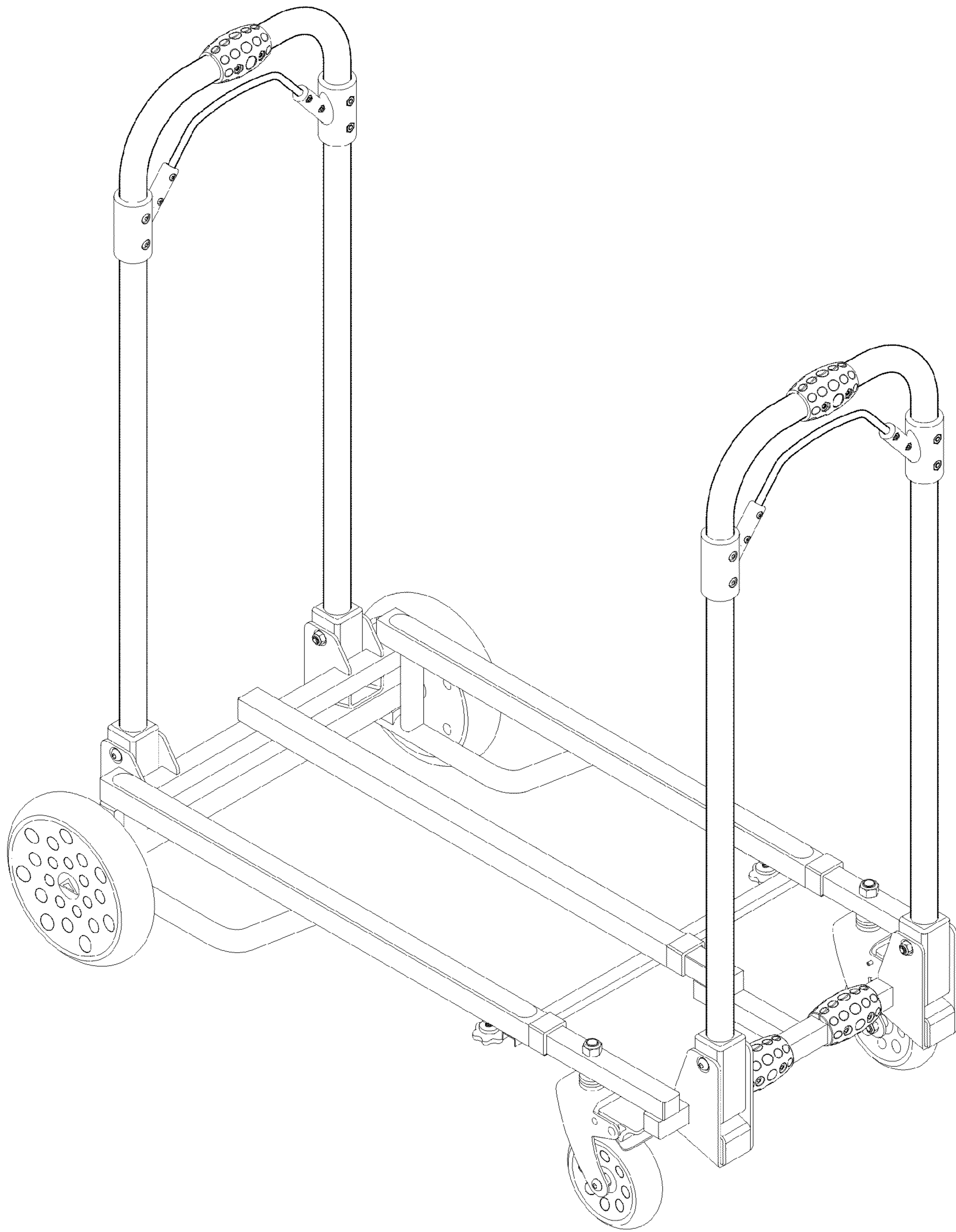


Fig. 1

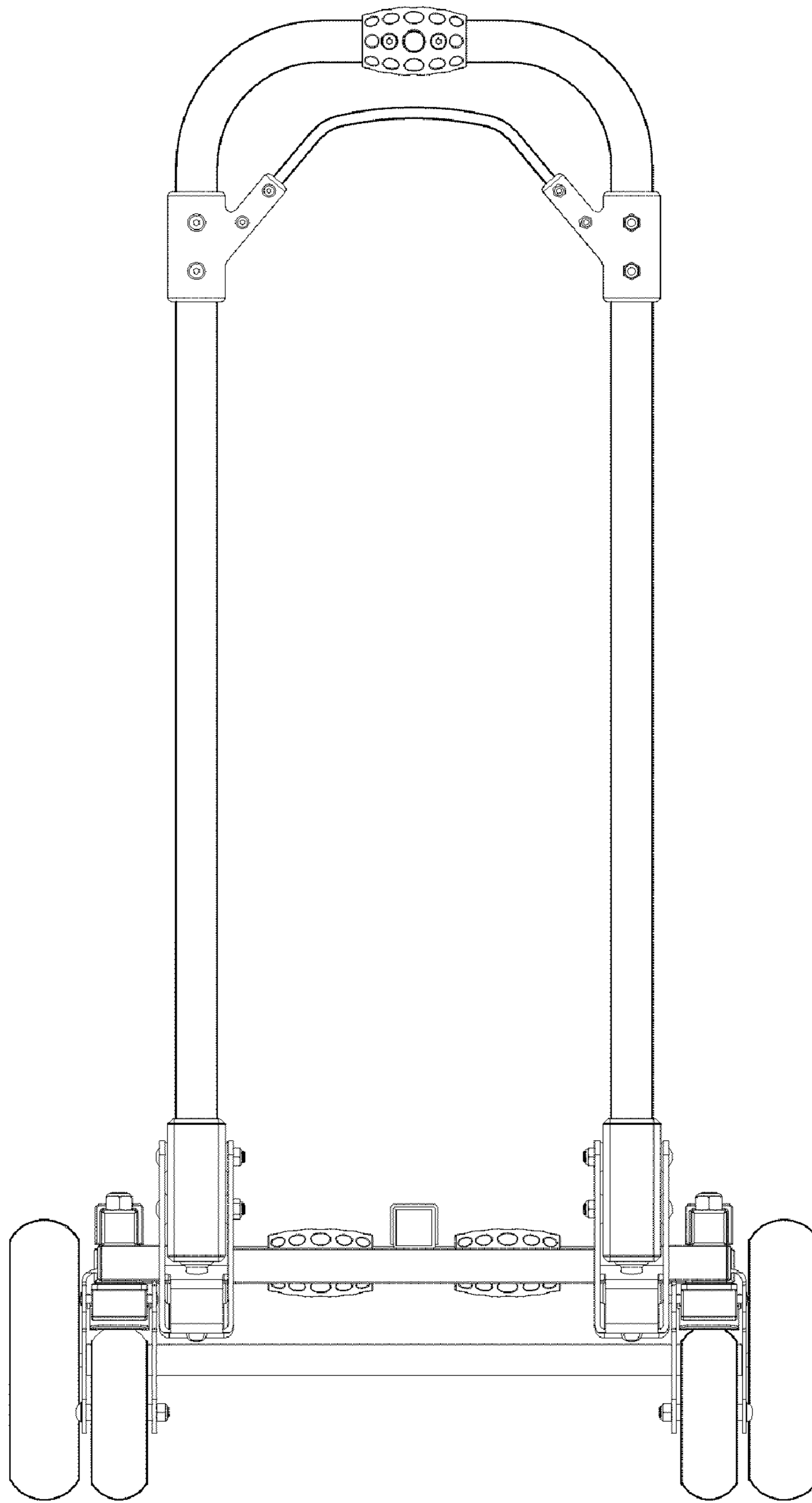


Fig. 2

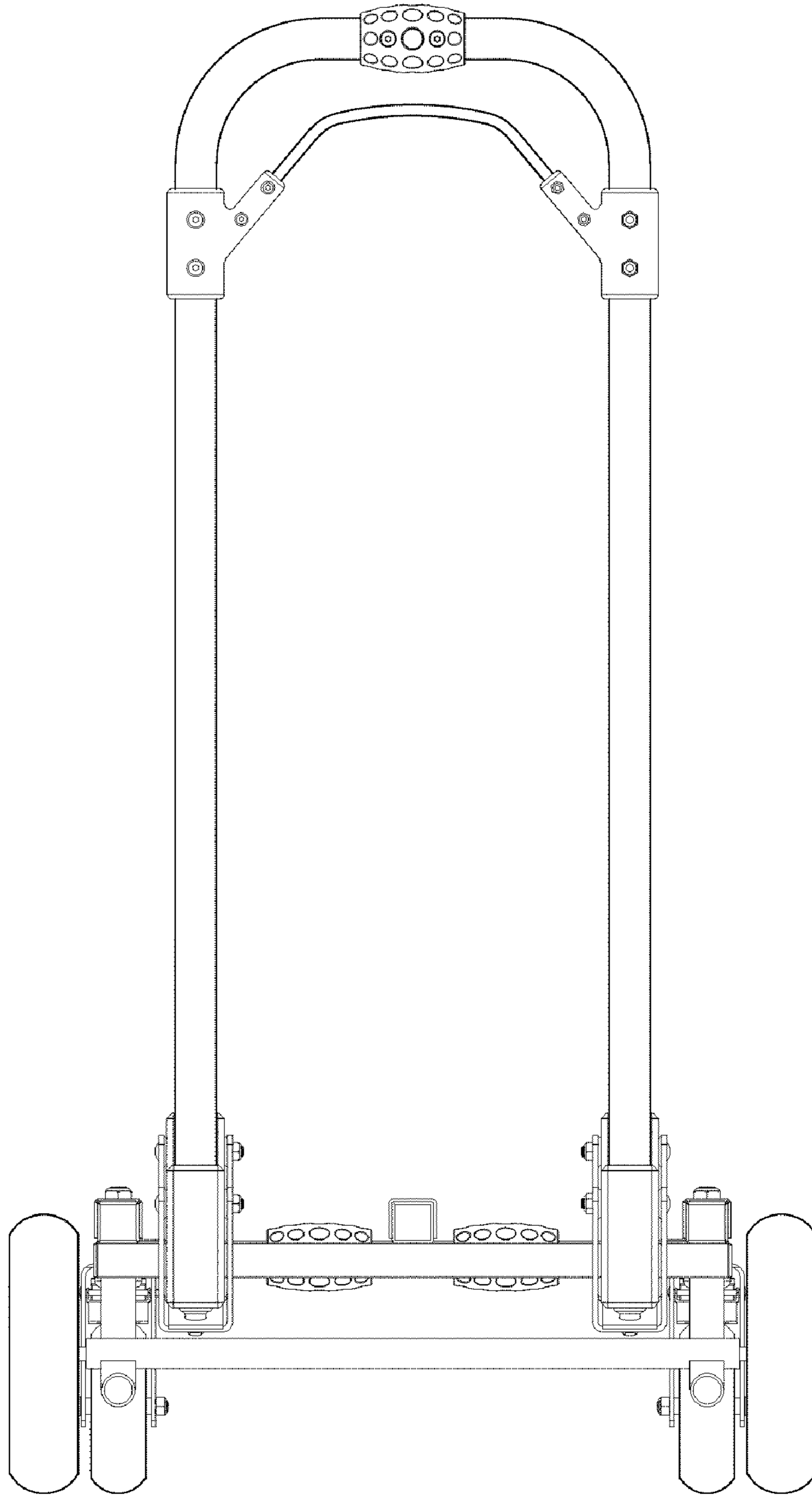


Fig. 3

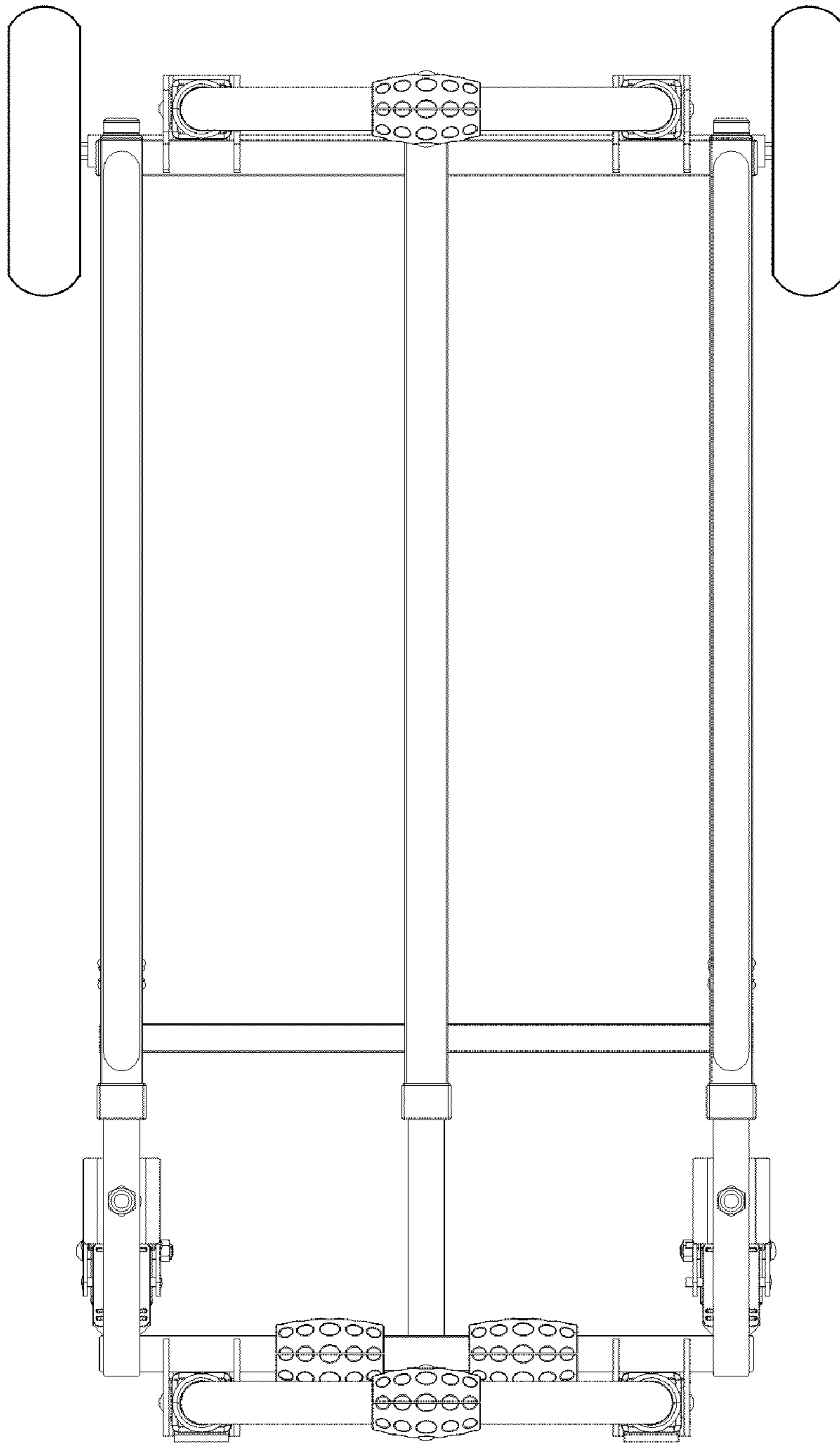


Fig. 4

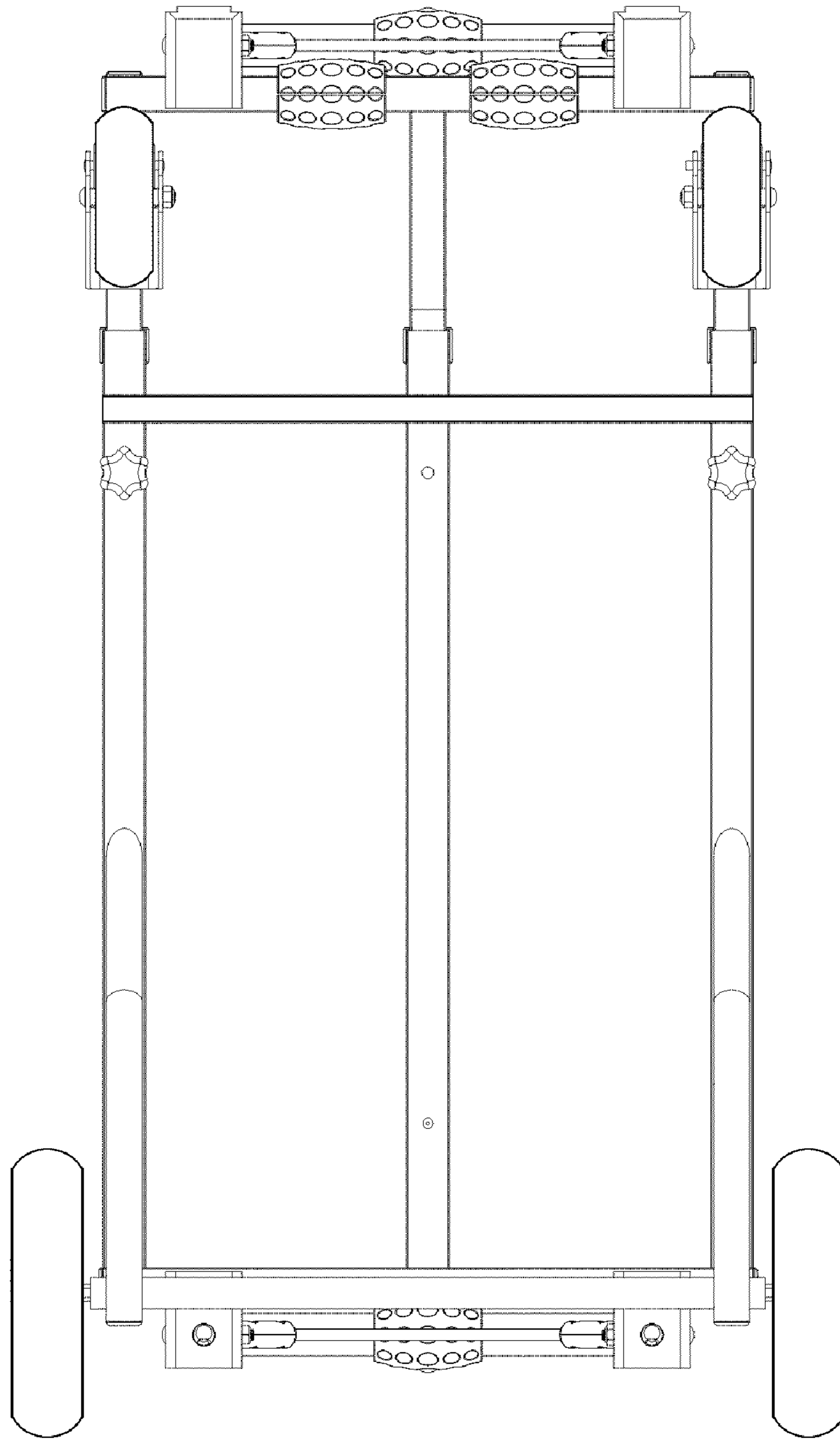


Fig. 5

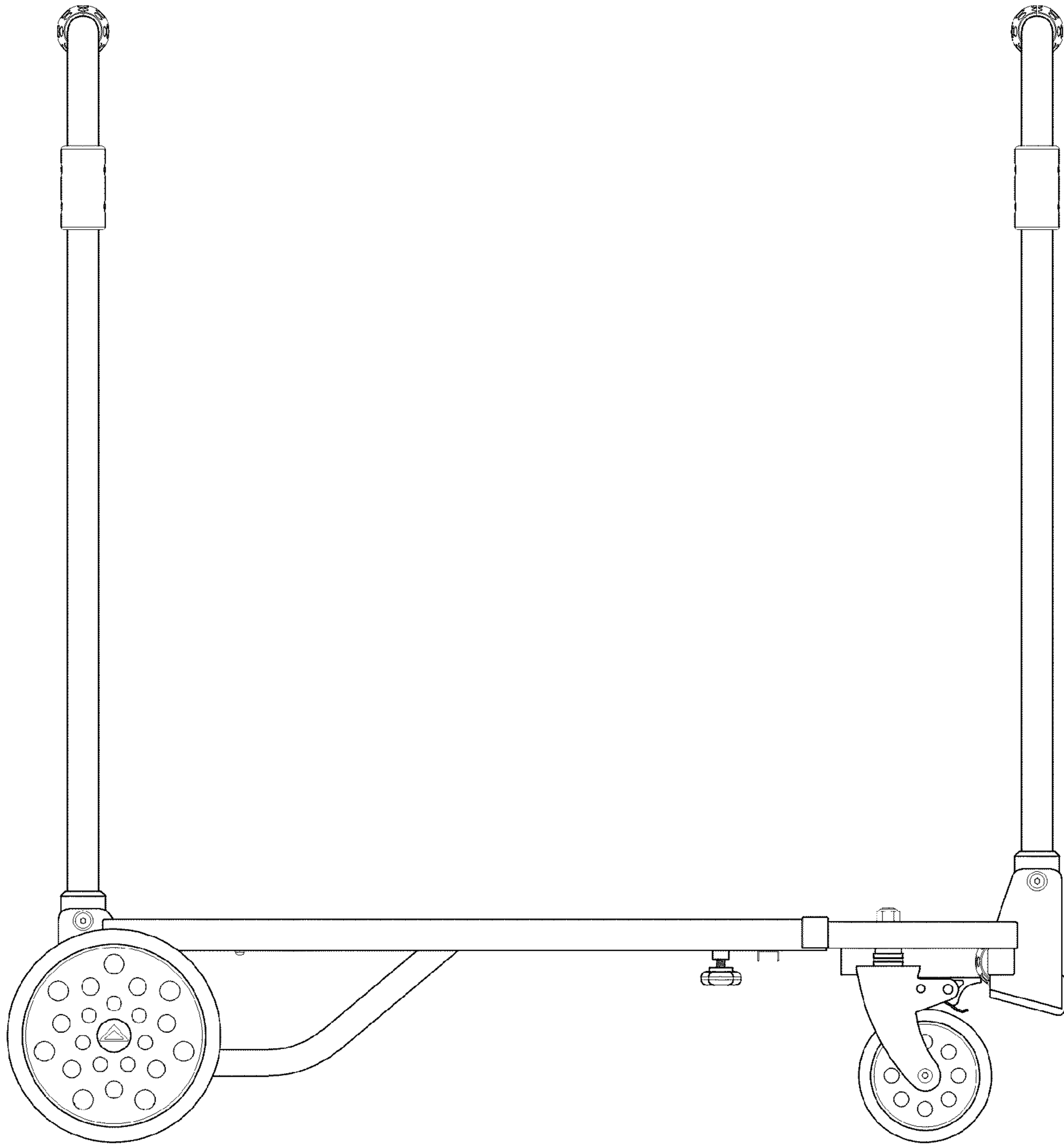


Fig. 6

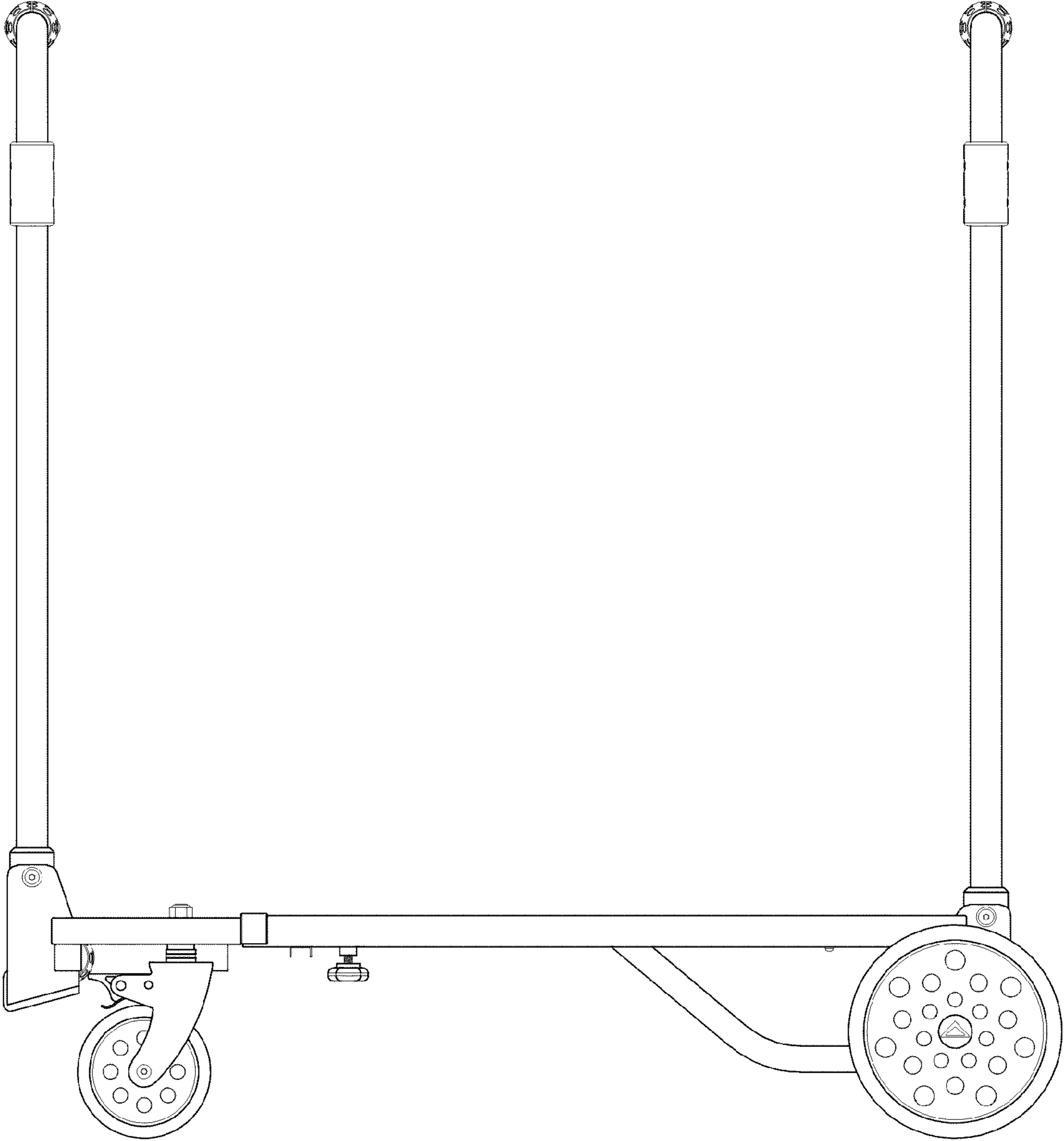


Fig. 7