



US00D652189S

(12) **United States Design Patent**
Morand

(10) **Patent No.:** **US D652,189 S**

(45) **Date of Patent:** **** Jan. 10, 2012**

(54) **WASTE-DISPOSAL DEVICE**

(75) Inventor: **Michel Morand**, Montreal (CA)

(73) Assignee: **International Refills Company Limited**, Christ Church (BB)

(**) Term: **14 Years**

(21) Appl. No.: **29/387,603**

(22) Filed: **Mar. 15, 2011**

(30) **Foreign Application Priority Data**

Sep. 15, 2010 (EM) 001234710-0002

(51) **LOC (9) Cl.** **09-09**

(52) **U.S. Cl.** **D34/7**

(58) **Field of Classification Search** D34/1-11;
220/908-911; D9/446, 522

See application file for complete search history.

(56) **References Cited**

U.S. PATENT DOCUMENTS

D453,252 S *	1/2002	Lin	D34/9
D483,166 S *	12/2003	Lin	D34/7
D494,722 S *	8/2004	Lin	D34/7
D526,455 S *	8/2006	Chen	D34/8
D535,449 S *	1/2007	Chen	D34/7
7,406,814 B2 *	8/2008	Morand	53/567
D586,971 S *	2/2009	Rousso et al.	D34/7
D596,364 S *	7/2009	Morand	D34/7

2005/0115207 A1 *	6/2005	Chomik	53/459
2006/0248862 A1 *	11/2006	Morand	53/567
2007/0180798 A1 *	8/2007	Stravitz et al.	53/576

* cited by examiner

Primary Examiner — Cynthia E Ramirez

(74) *Attorney, Agent, or Firm* — Kenyon & Kenyon LLP

(57) **CLAIM**

The ornamental design for a waste-disposal device, as shown and described.

DESCRIPTION

FIG. 1 is a perspective view of a waste disposal device in accordance with the present design;

FIG. 2 is a rear elevational view of the waste disposal device of FIG. 1;

FIG. 3 is a right-side elevational view of the waste disposal device of FIG. 1;

FIG. 4 is a front elevational view of the waste disposal device of FIG. 1;

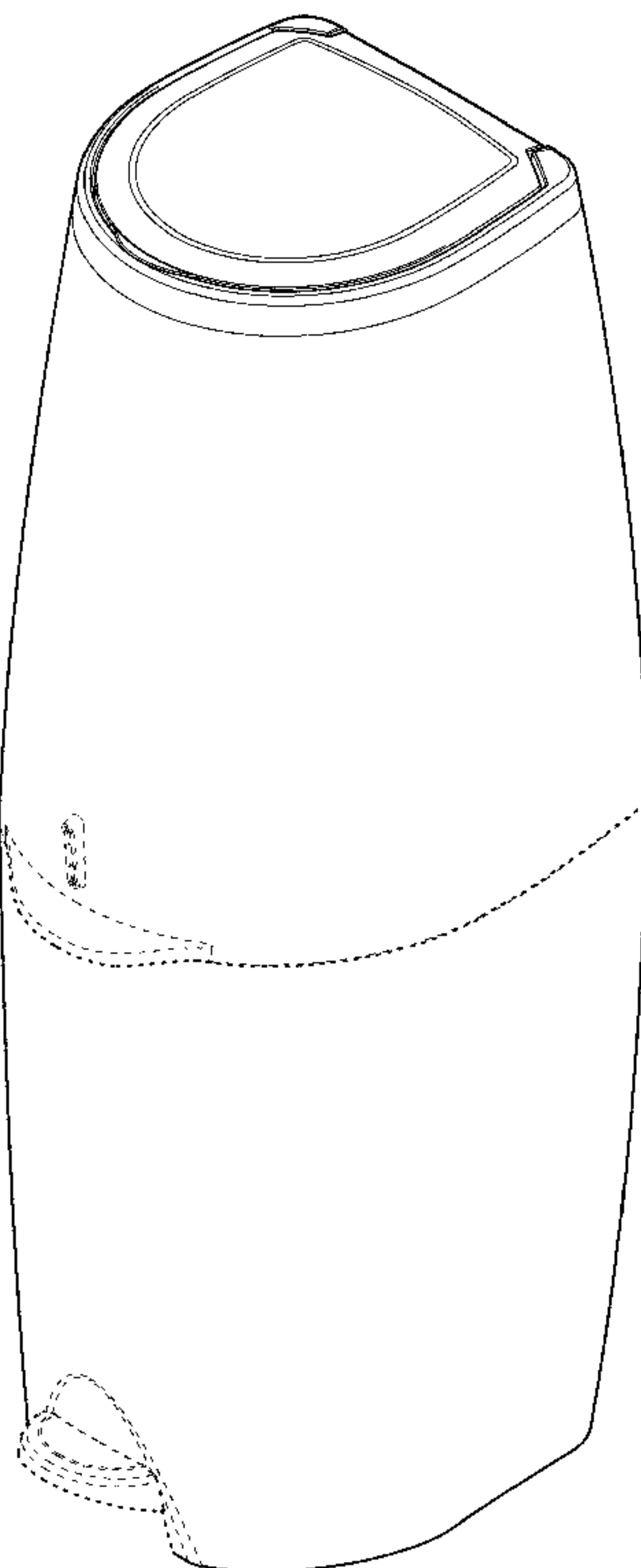
FIG. 5 is a left-side elevational view of the waste disposal device of FIG. 1;

FIG. 6 is a top plan view of the waste disposal device of FIG. 1; and,

FIG. 7 is a bottom plan view of the waste disposal device of FIG. 1.

The broken lines showing structural supports and peripheral components in each figure are for illustrative purposes only and form no part of the claimed design.

1 Claim, 4 Drawing Sheets



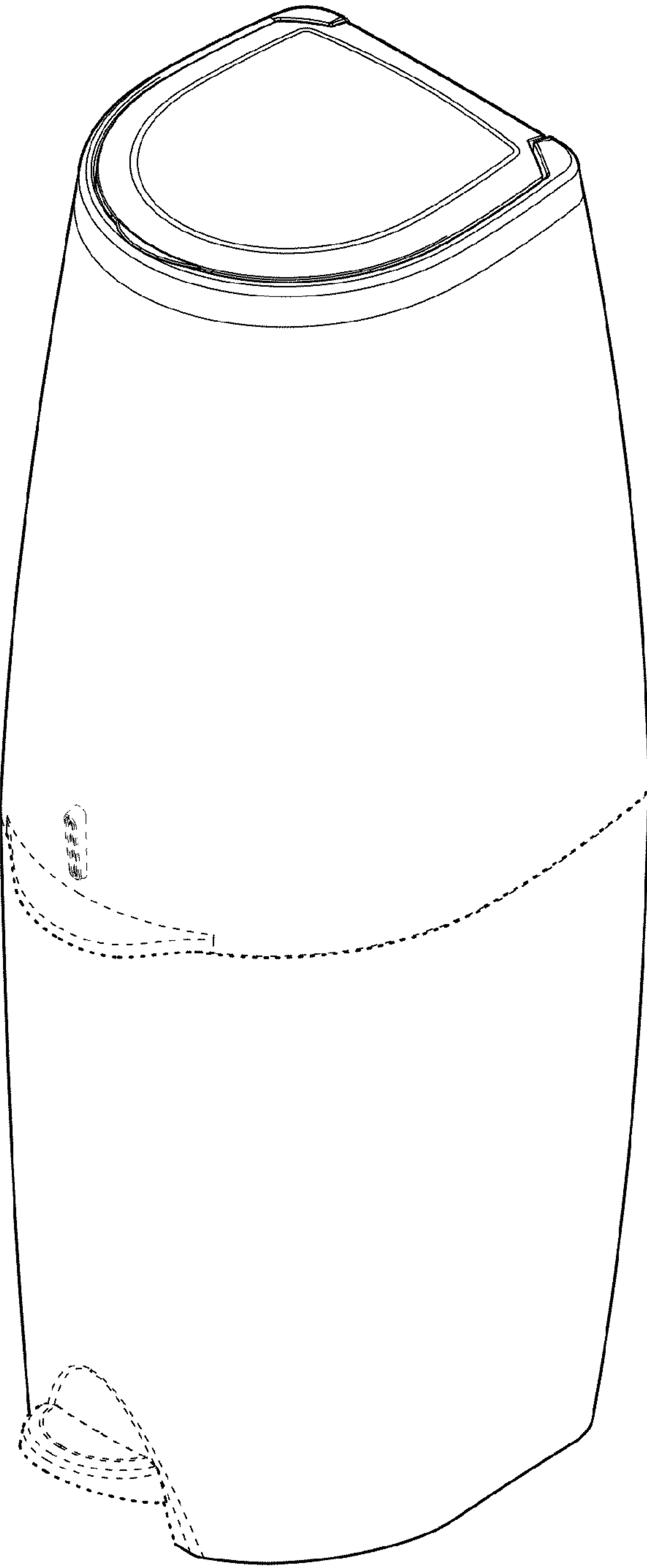


Fig. 1

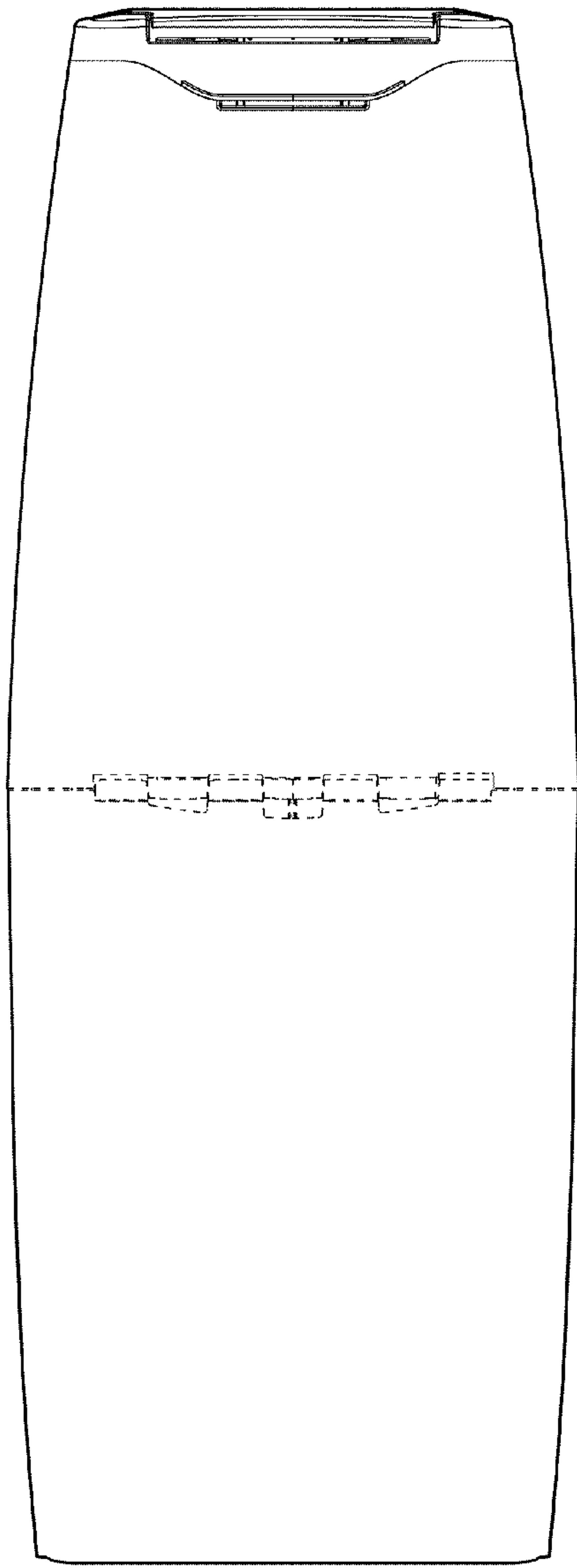


Fig. 2

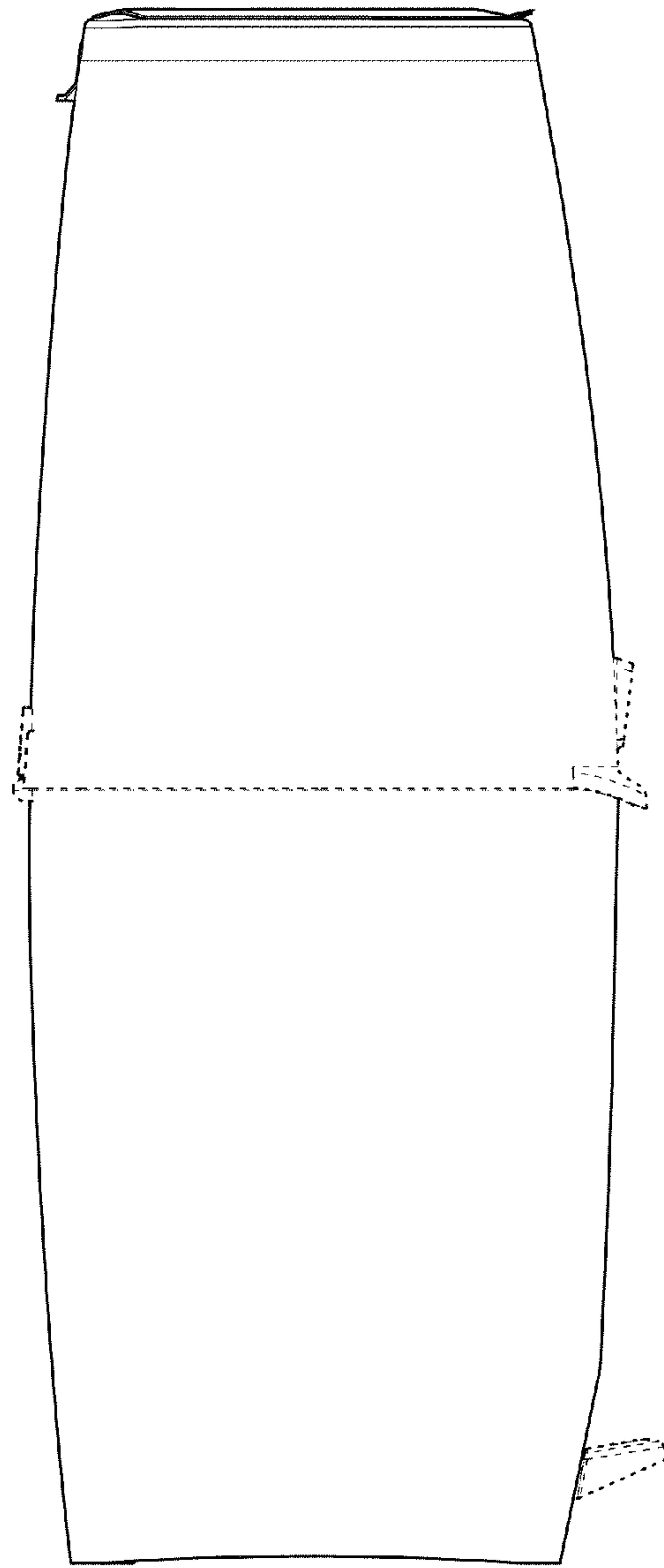


Fig. 3

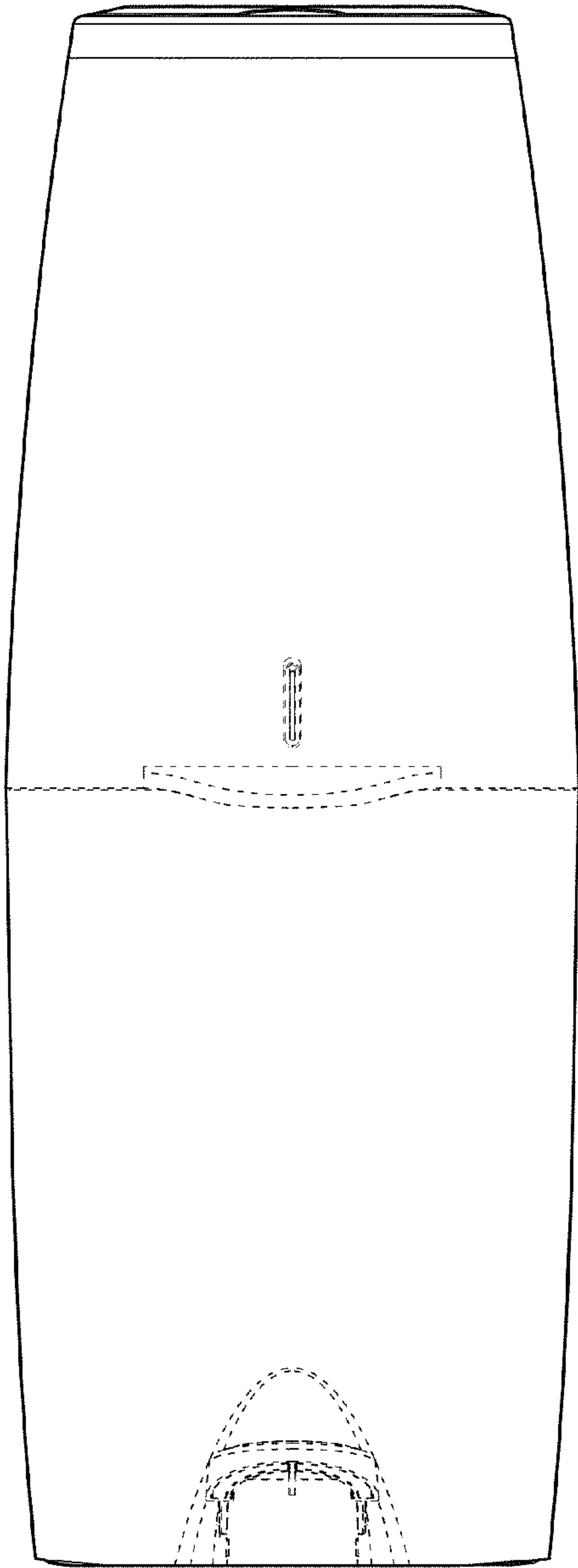


Fig. 4

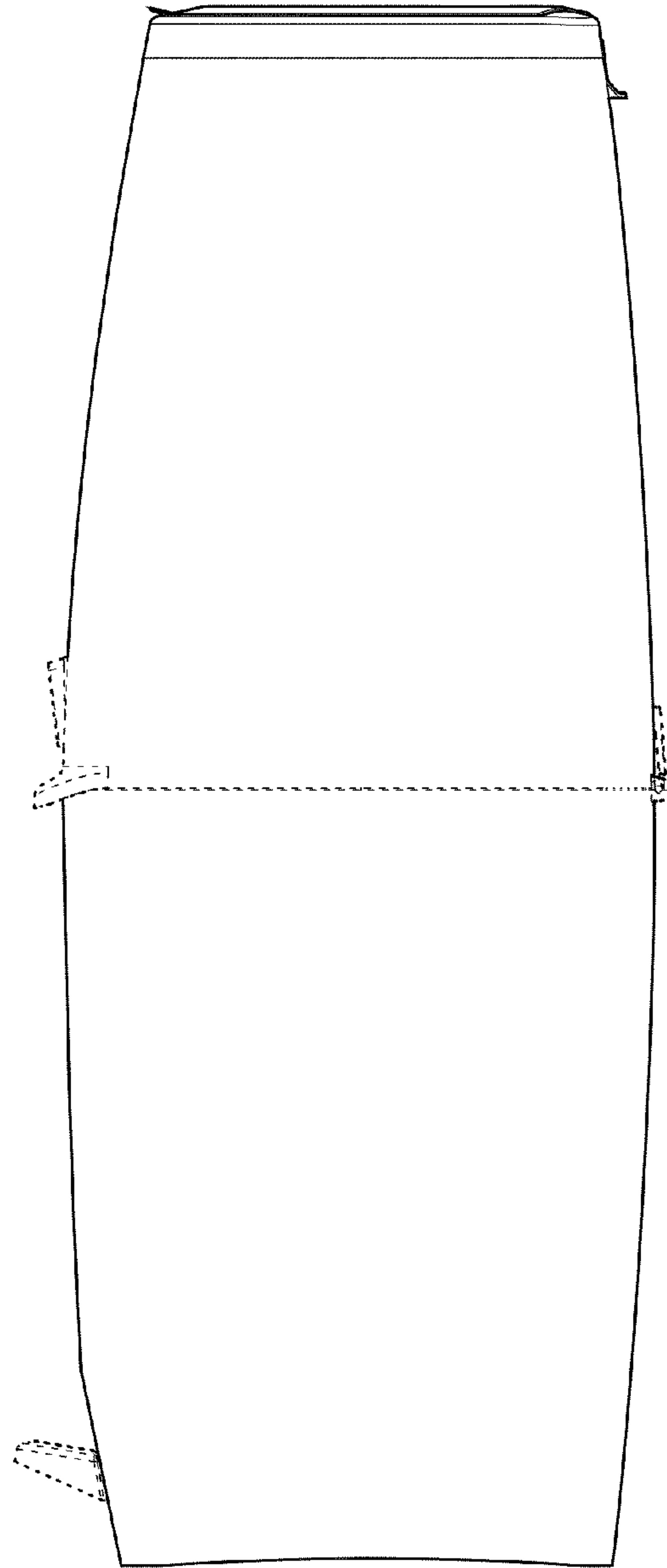


Fig. 5

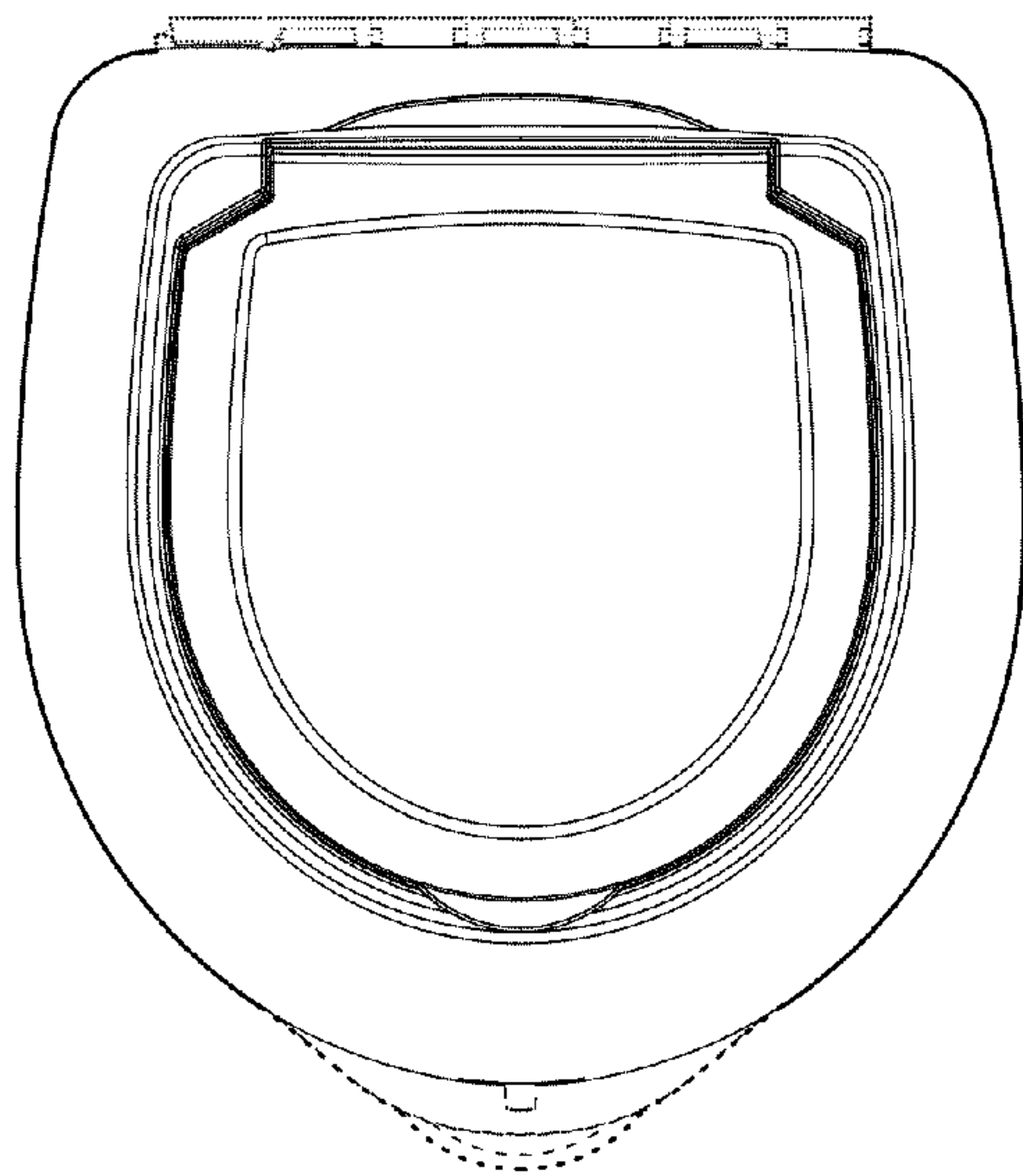


Fig. 6

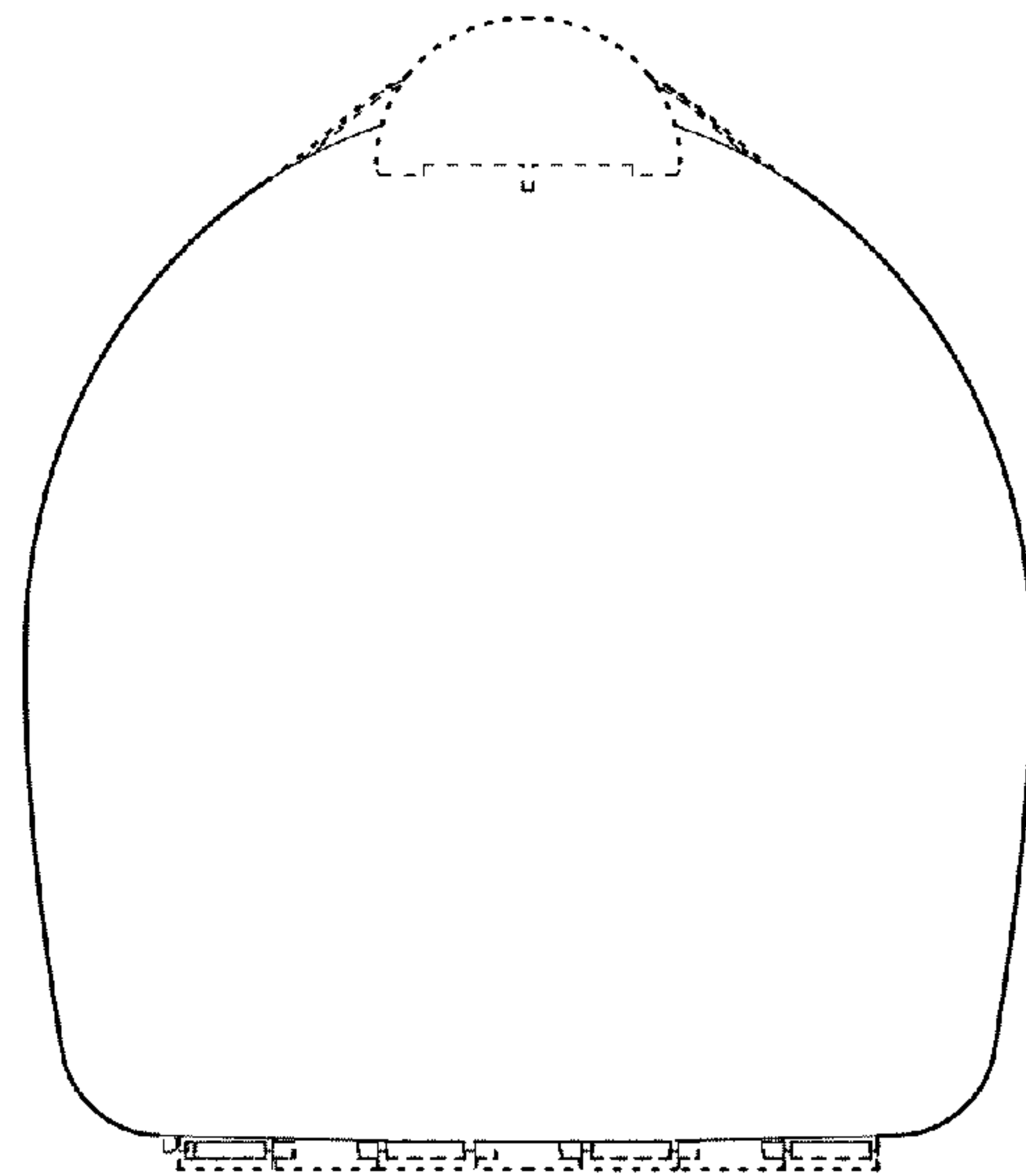


Fig. 7