



US00D652186S

(12) **United States Design Patent**
Lin

(10) **Patent No.:** **US D652,186 S**
(45) **Date of Patent:** **** Jan. 10, 2012**

(54) **SUPPORTING RACK FOR DUST COLLECTOR**

(76) Inventor: **Tony Lin**, Taichung (TW)

(**) Term: **14 Years**

(21) Appl. No.: **29/369,918**

(22) Filed: **Sep. 15, 2010**

(51) **LOC (9) Cl.** **15-05**

(52) **U.S. Cl.** **D32/25**

(58) **Field of Classification Search** D32/1,
D32/15-16, 21, 25; D34/12-27; 280/47.34-47.45,
280/79.3, 79.11, 33.998; 211/49.1
See application file for complete search history.

D502,297 S * 2/2005 Cheng D32/21
D537,250 S * 2/2007 Richard D3/307
7,219,904 B1 * 5/2007 Boom et al. 280/79.3
D587,491 S * 3/2009 Casper D6/462
D630,392 S * 1/2011 Lin D32/21
D630,691 S * 1/2011 Zeller et al. D21/756

* cited by examiner

Primary Examiner — T. Chase Nelson

Assistant Examiner — Kathleen M Sims

(74) *Attorney, Agent, or Firm* — Muncy, Geissler, Olds & Lowe, PLLC

(57) **CLAIM**

I claim the ornamental design for a supporting rack for dust collector, as shown and described.

(56) **References Cited**

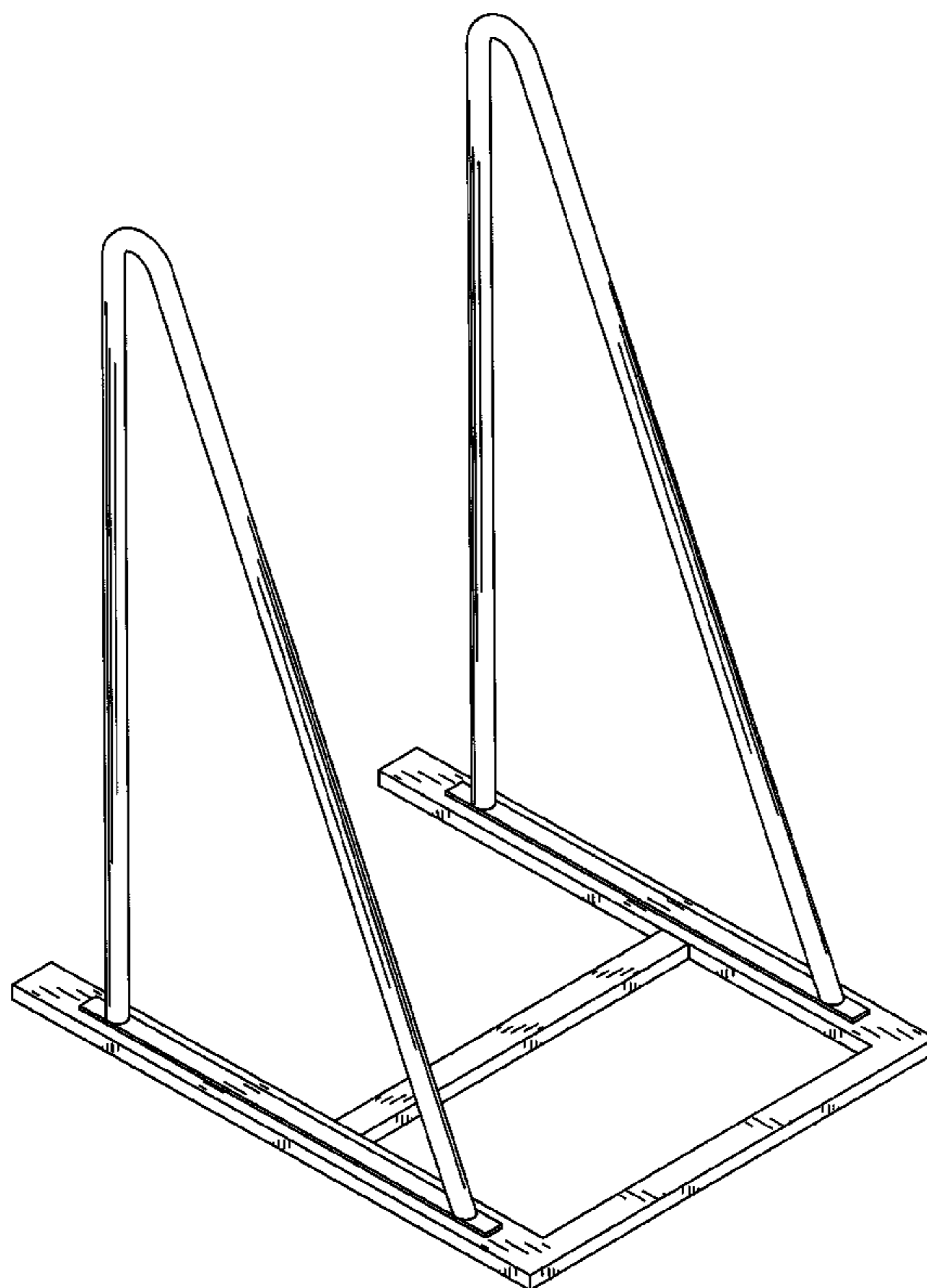
U.S. PATENT DOCUMENTS

D239,094 S *	3/1976	Duffy	D34/23
D300,071 S *	2/1989	Dunchock	D34/17
D314,849 S *	2/1991	Dunchock	D34/17
D329,727 S *	9/1992	DeWitt	D34/23
5,163,895 A *	11/1992	Titus	494/36
5,280,933 A *	1/1994	Finneyfrock	280/47.34
D357,102 S *	4/1995	Tate	D34/17
D366,745 S *	1/1996	Kern et al.	D34/17
5,556,118 A *	9/1996	Kern et al.	280/47.16
6,036,219 A *	3/2000	Oefelein et al.	280/638
6,394,470 B1 *	5/2002	Shirai	280/33.996
D490,200 S *	5/2004	Arceta	D34/17
D501,964 S *	2/2005	Cheng	D32/21

DESCRIPTION

FIG. 1 is a perspective view of a supporting rack for dust collector showing my new design;
FIG. 2 is a front view thereof;
FIG. 3 is a rear view thereof;
FIG. 4 is a left view thereof;
FIG. 5 is a right view thereof;
FIG. 6 is a top plan view thereof;
FIG. 7 is a bottom plan view thereof; and,
FIG. 8 is a perspective view thereof shown in use.

1 Claim, 8 Drawing Sheets



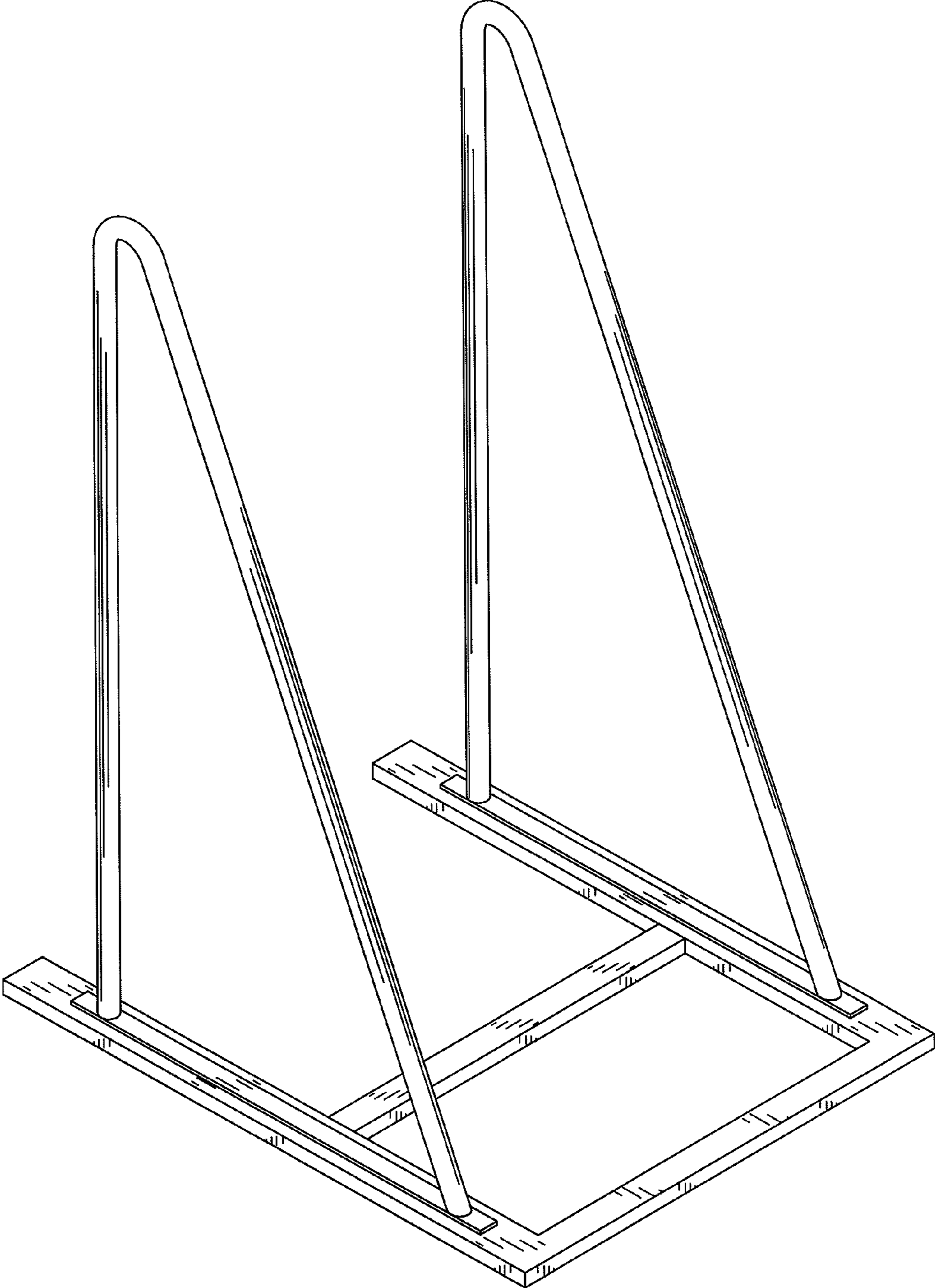


FIG. 1

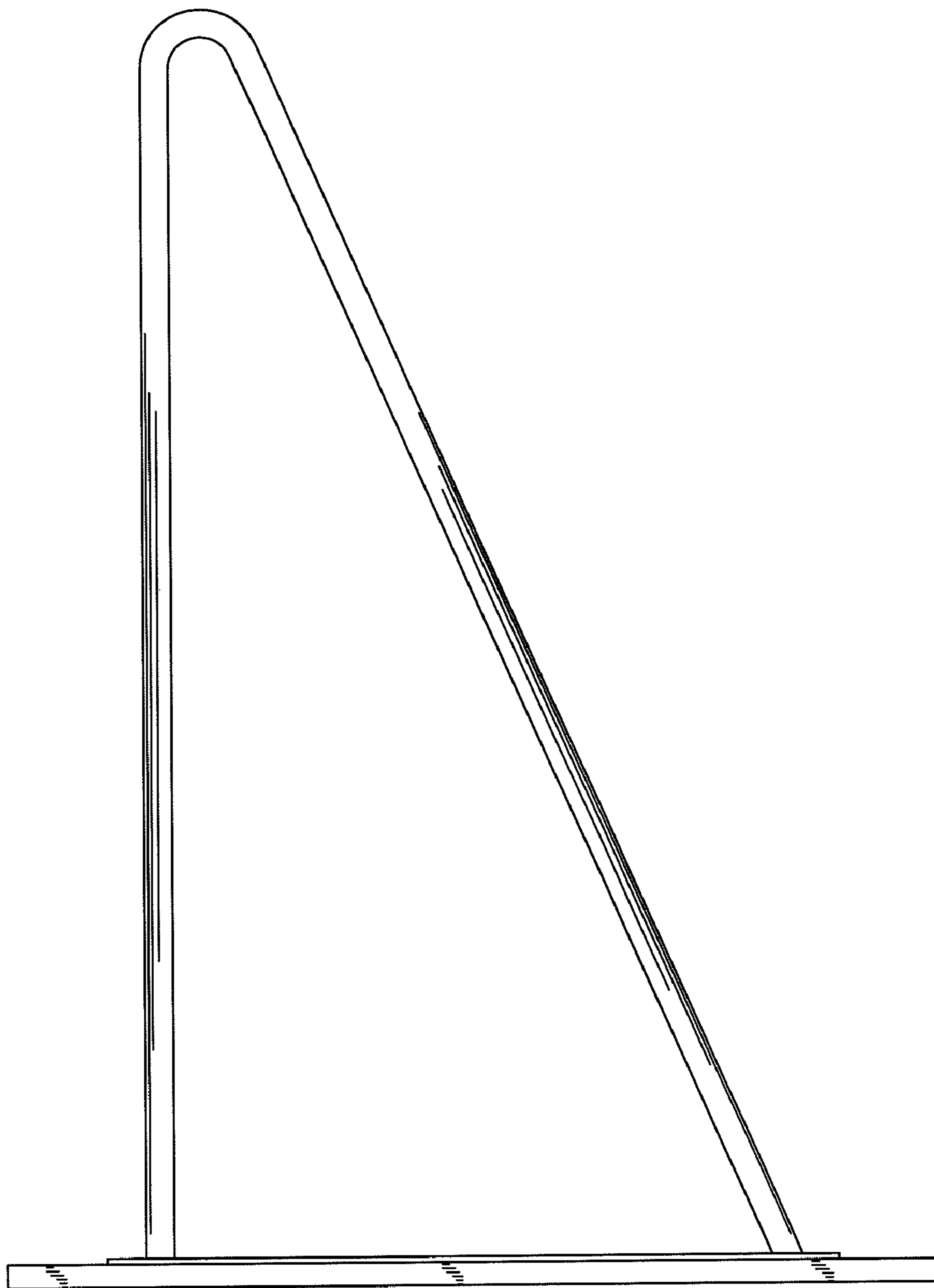


FIG. 2

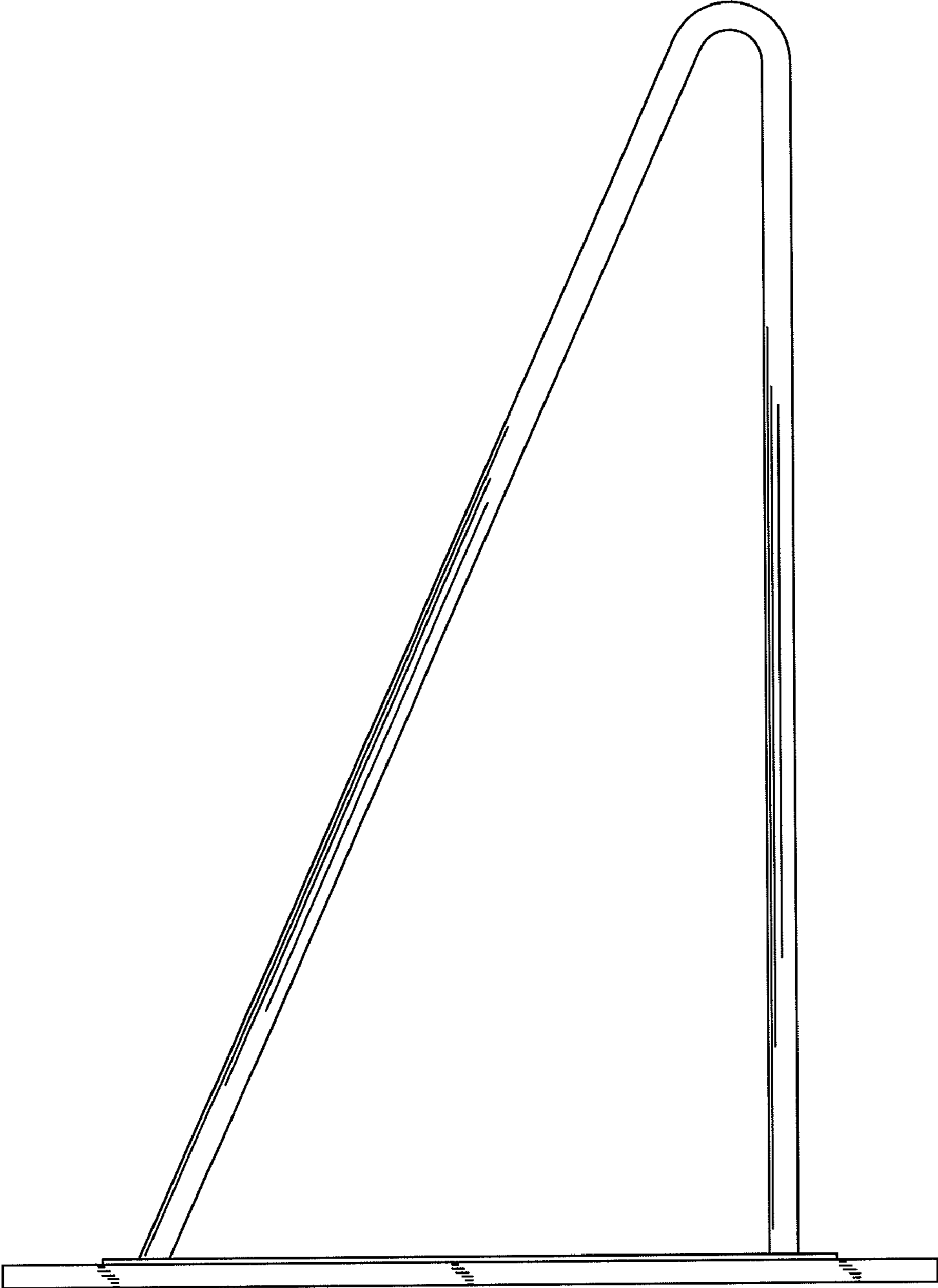


FIG. 3

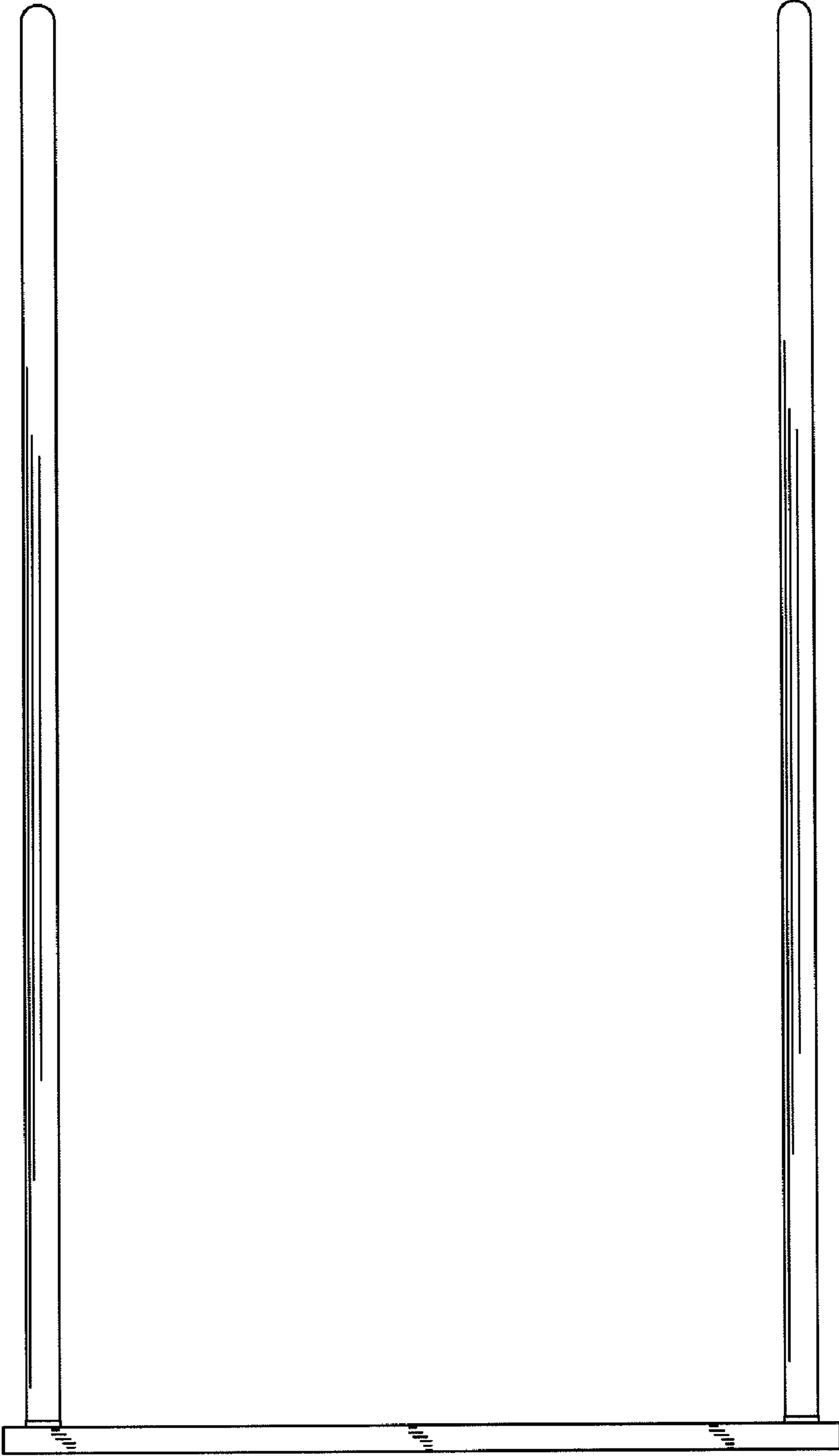


FIG. 4

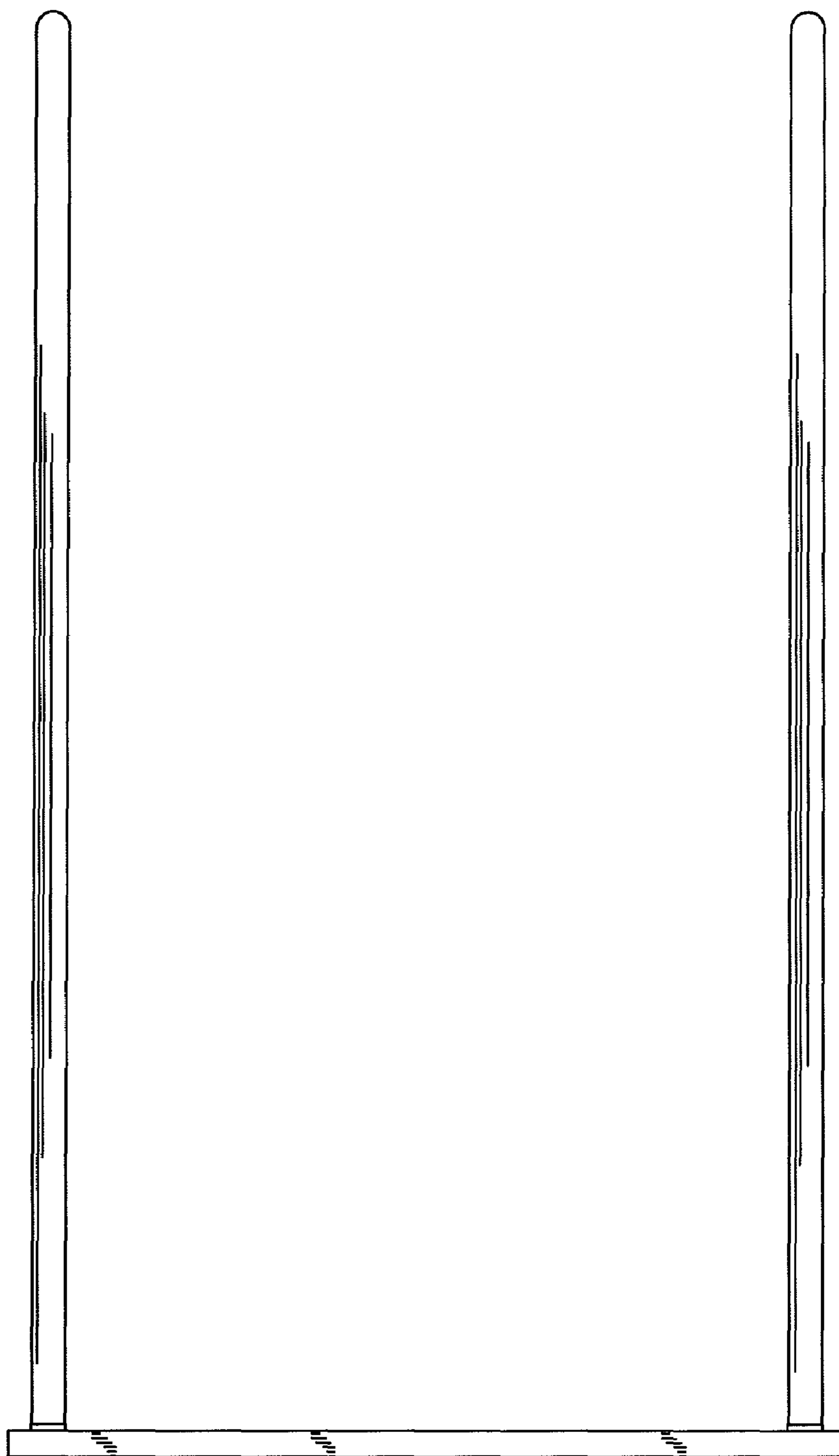


FIG. 5

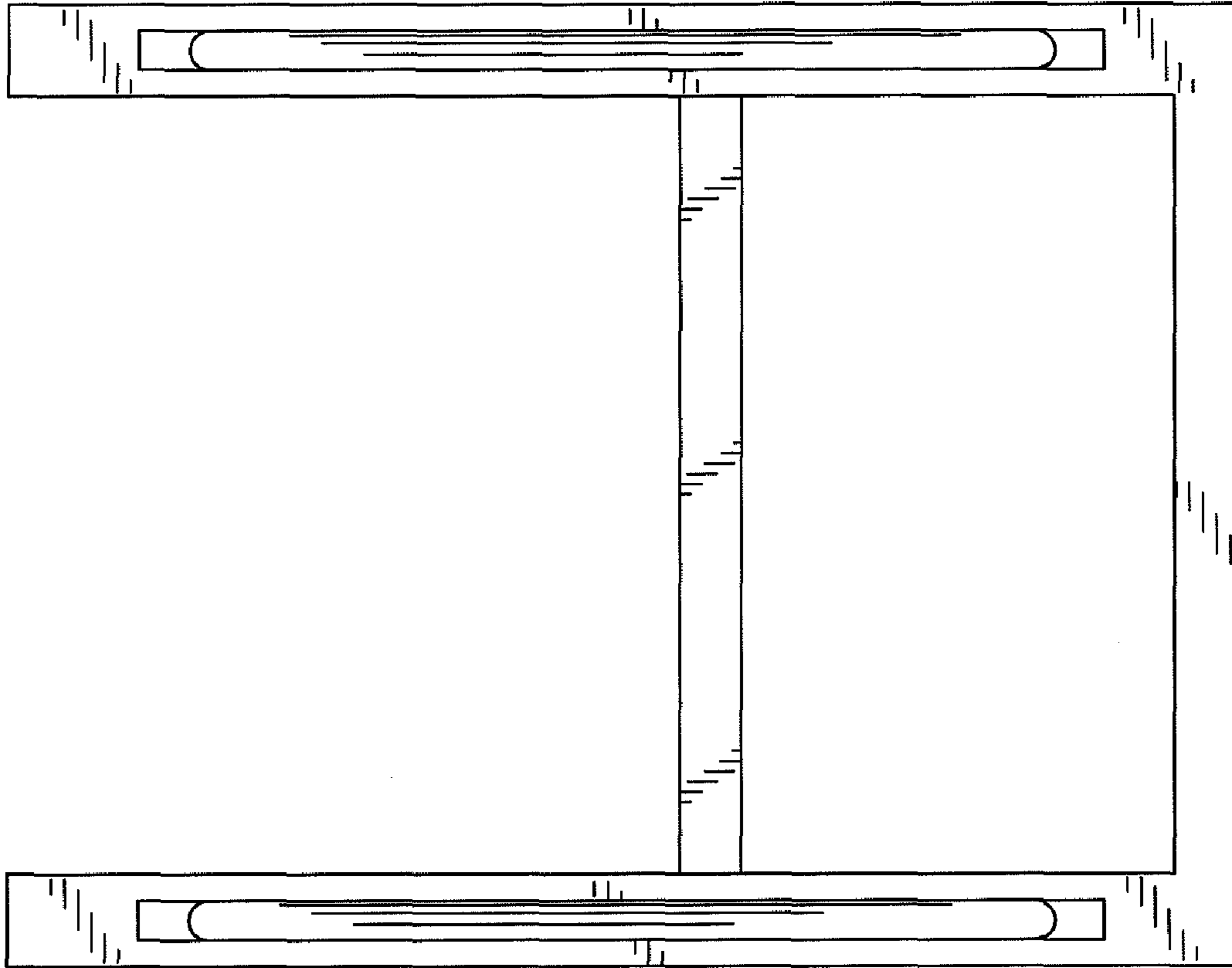


FIG. 6

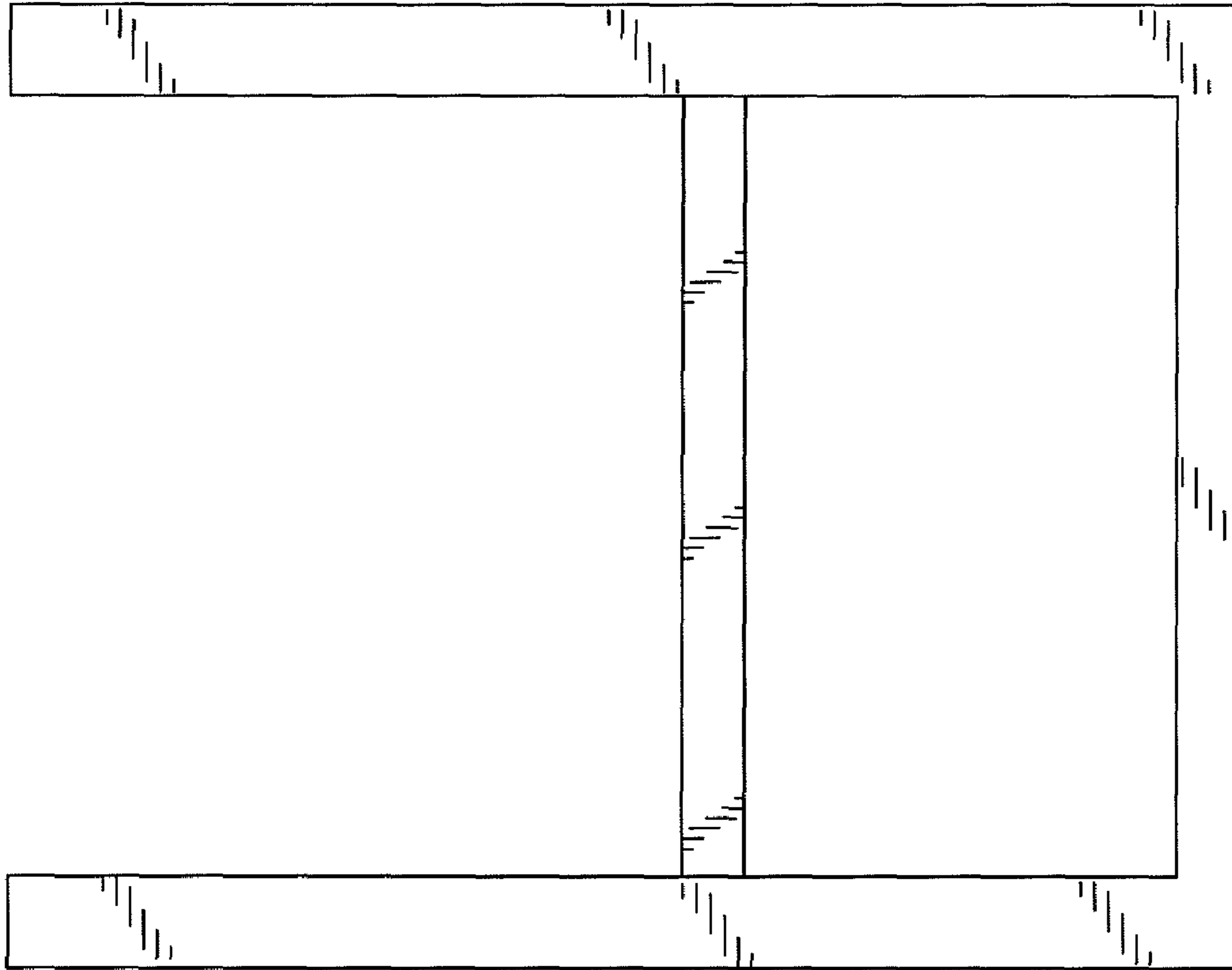


FIG. 7

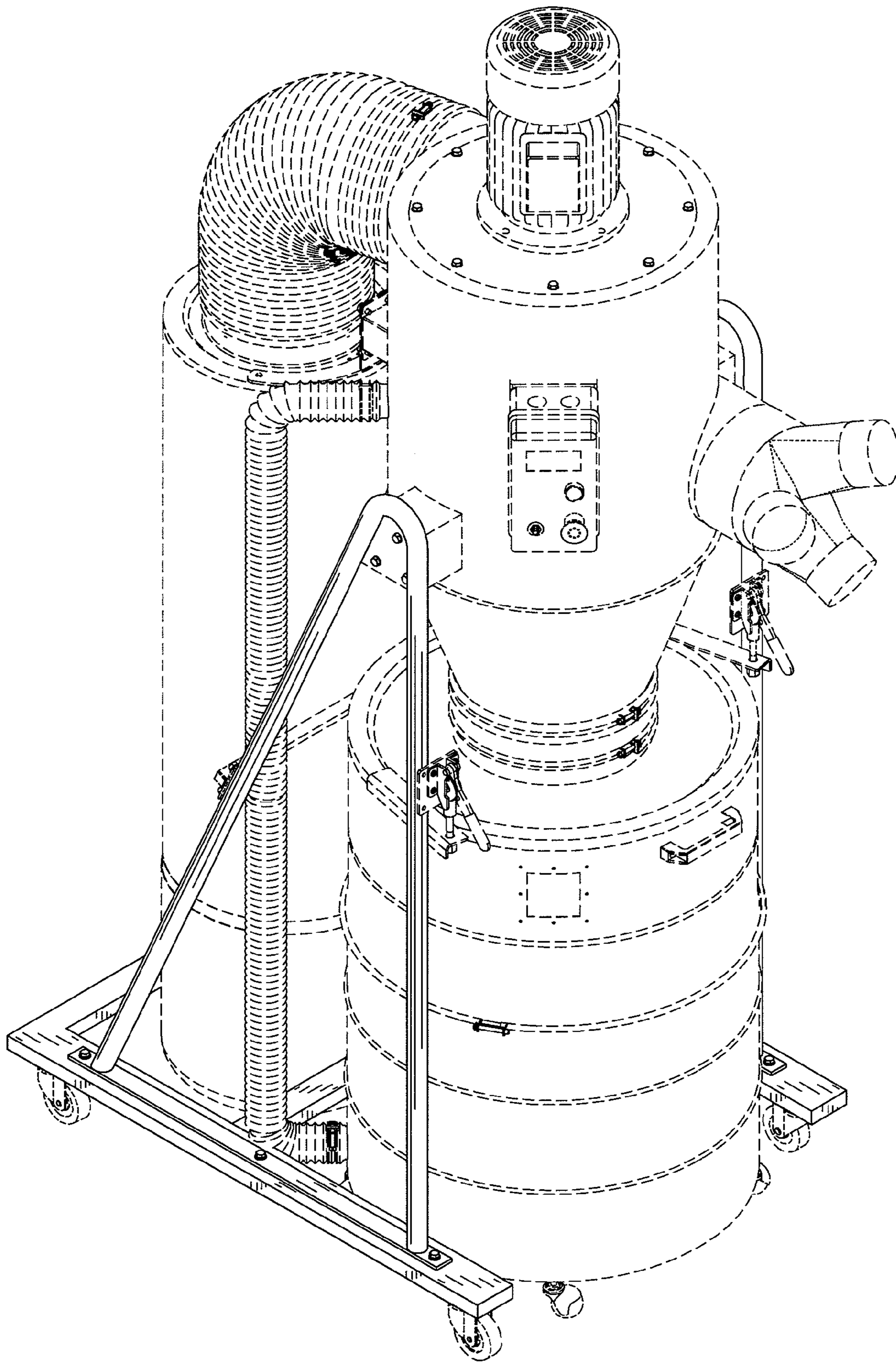


FIG. 8