



US00D652181S

(12) **United States Design Patent**  
**Lee**

(10) **Patent No.:** **US D652,181 S**  
(45) **Date of Patent:** **\*\* Jan. 10, 2012**

- (54) **CAT TOY**
- (75) Inventor: **Betty Lee**, San Francisco, CA (US)
- (73) Assignee: **Worldwise, Inc.**, San Rafael, CA (US)
- (\*\*) Term: **14 Years**
- (21) Appl. No.: **29/378,711**
- (22) Filed: **Nov. 8, 2010**
- (51) **LOC (9) Cl.** ..... **30-99**
- (52) **U.S. Cl.** ..... **D30/160**
- (58) **Field of Classification Search** ..... D30/118,  
D30/160; D21/455, 460, 713; D24/200,  
D24/211, 214-215; 119/702, 706-711; 446/256  
See application file for complete search history.

- (56) **References Cited**
- U.S. PATENT DOCUMENTS
- 1,657,071 A \* 1/1928 Dailey ..... 446/256
- 2,510,399 A \* 6/1950 Harris ..... D24/211
- D232,114 S \* 7/1974 Echterling ..... D21/460
- D269,718 S \* 7/1983 Tovey ..... D24/101
- D314,455 S \* 2/1991 Morton ..... D30/160
- D387,513 S \* 12/1997 Mauldin, Jr. .... D30/160

- D388,559 S \* 12/1997 Mauldin, Jr. .... D30/160
- D497,191 S \* 10/2004 Shore ..... D21/713
- 7,513,220 B2 \* 4/2009 Ragonetti et al. .... 119/707
- D594,606 S \* 6/2009 DeSeguirant, Jr. .... D30/160
- D617,467 S \* 6/2010 Dworzan ..... D24/211
- D629,057 S \* 12/2010 Smith ..... D21/713

\* cited by examiner

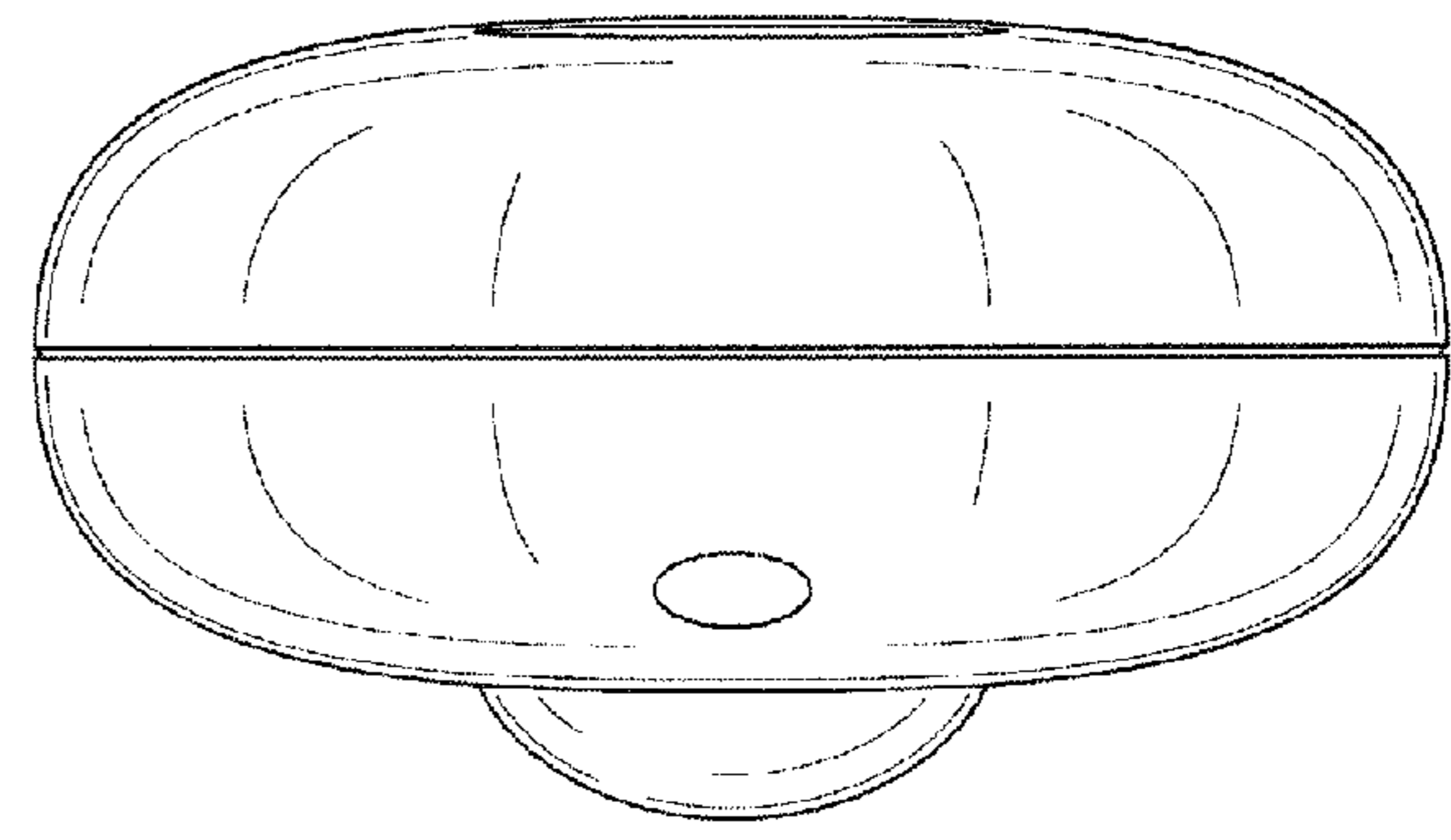
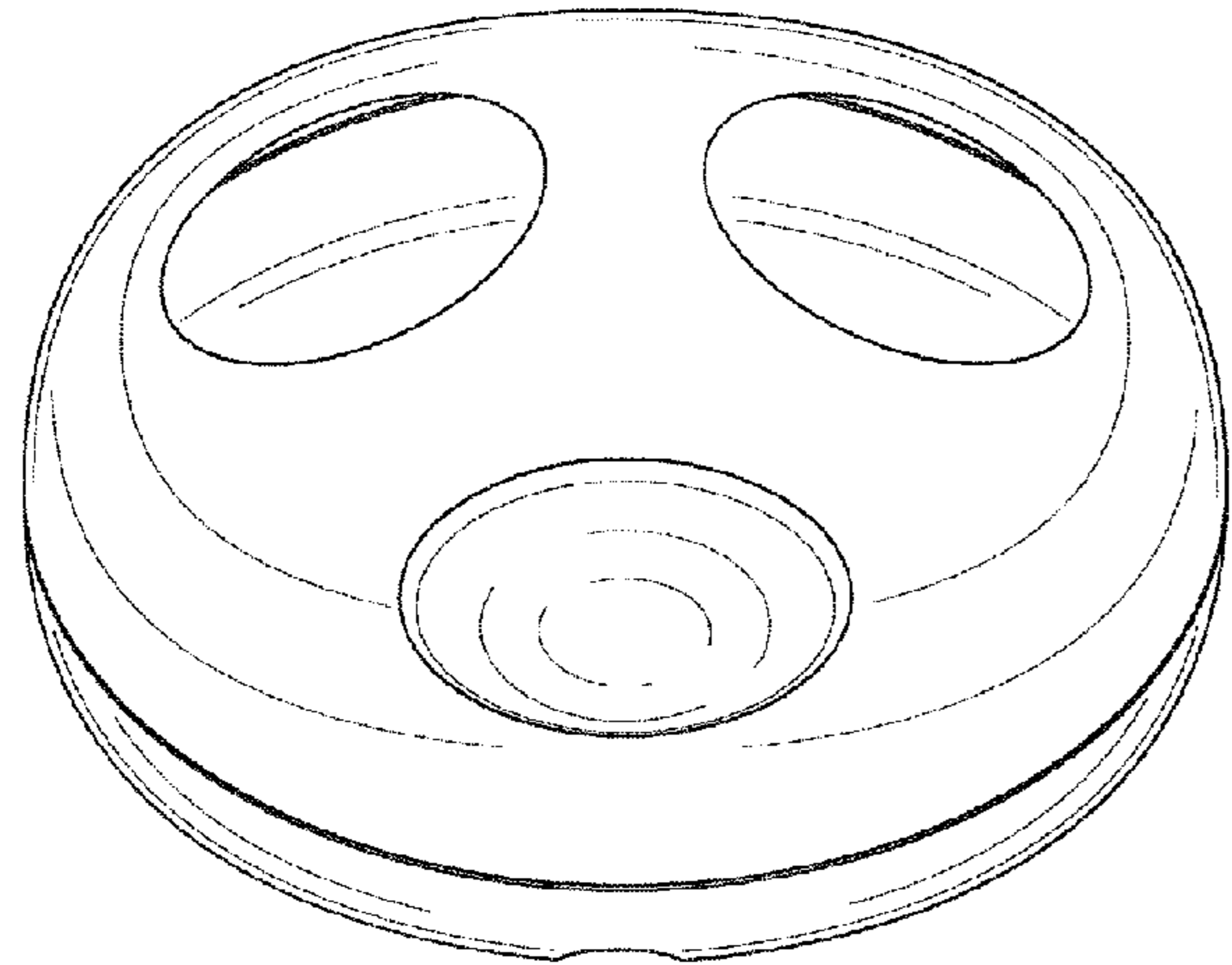
*Primary Examiner* — Cathy A MacCormac  
(74) *Attorney, Agent, or Firm* — Bay Area Technology Law Group PC

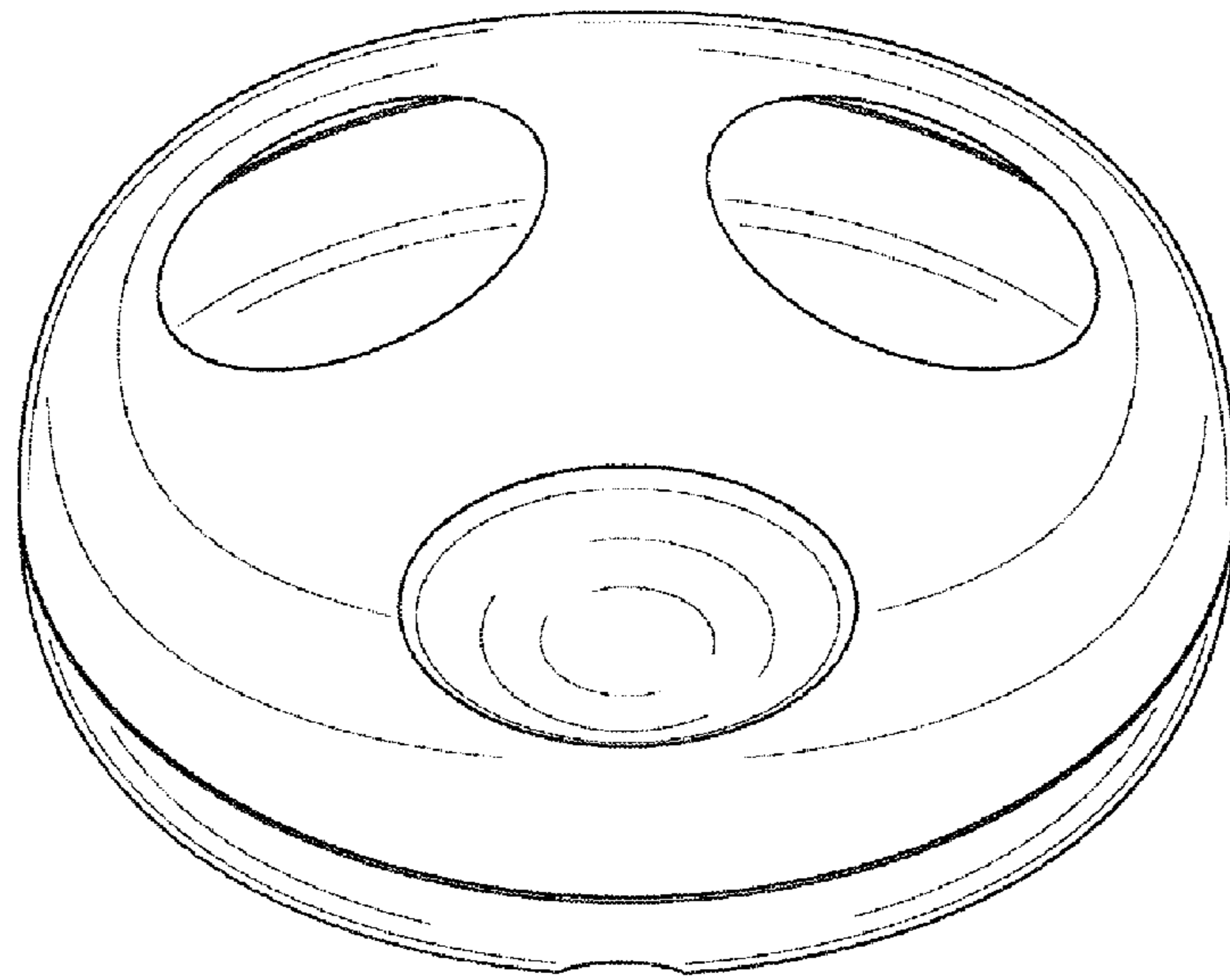
(57) **CLAIM**  
The ornamental design for a cat toy, as shown and described.

**DESCRIPTION**

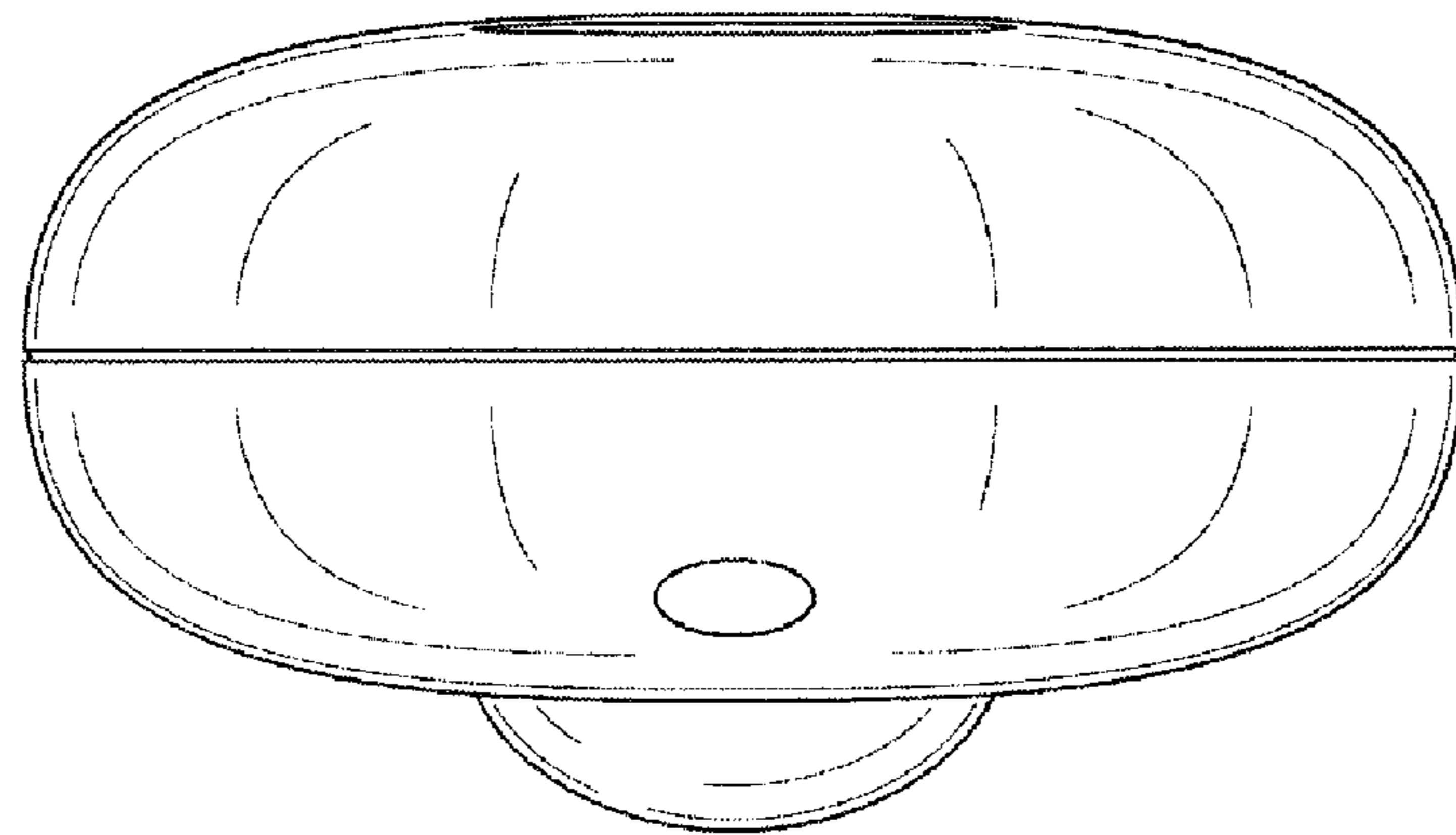
FIG. 1 is a perspective view of a cat toy showing my new design;  
FIG. 2 is a front view of FIG. 1;  
FIG. 3 is a rear view of FIG. 1;  
FIG. 4 is a top plan view of FIG. 1;  
FIG. 5 is a bottom plan view of FIG. 1;  
FIG. 6 is a right side view of FIG. 1; and,  
FIG. 7 is a left side view of FIG. 1.

**1 Claim, 3 Drawing Sheets**

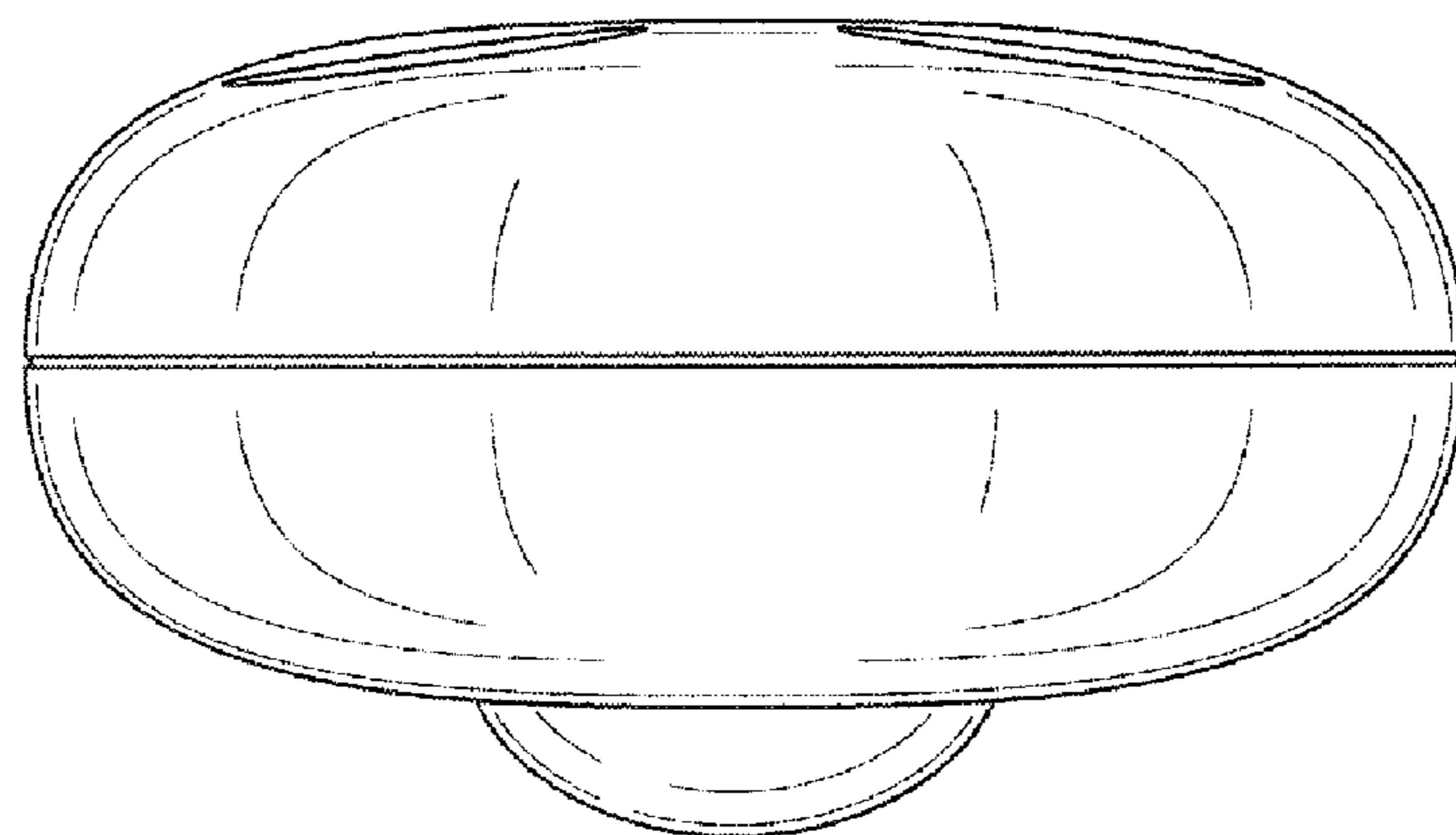




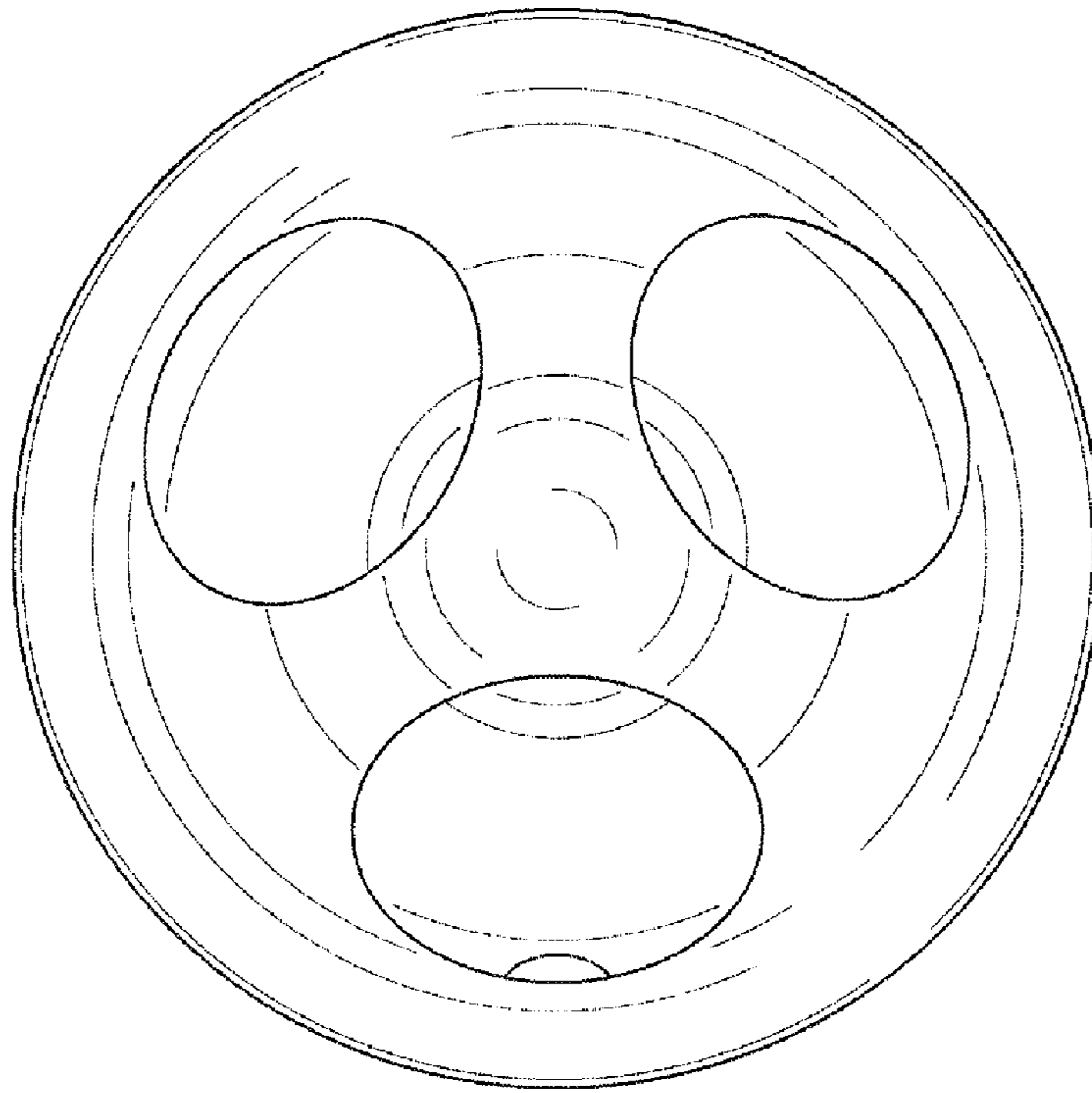
**FIG. 1**



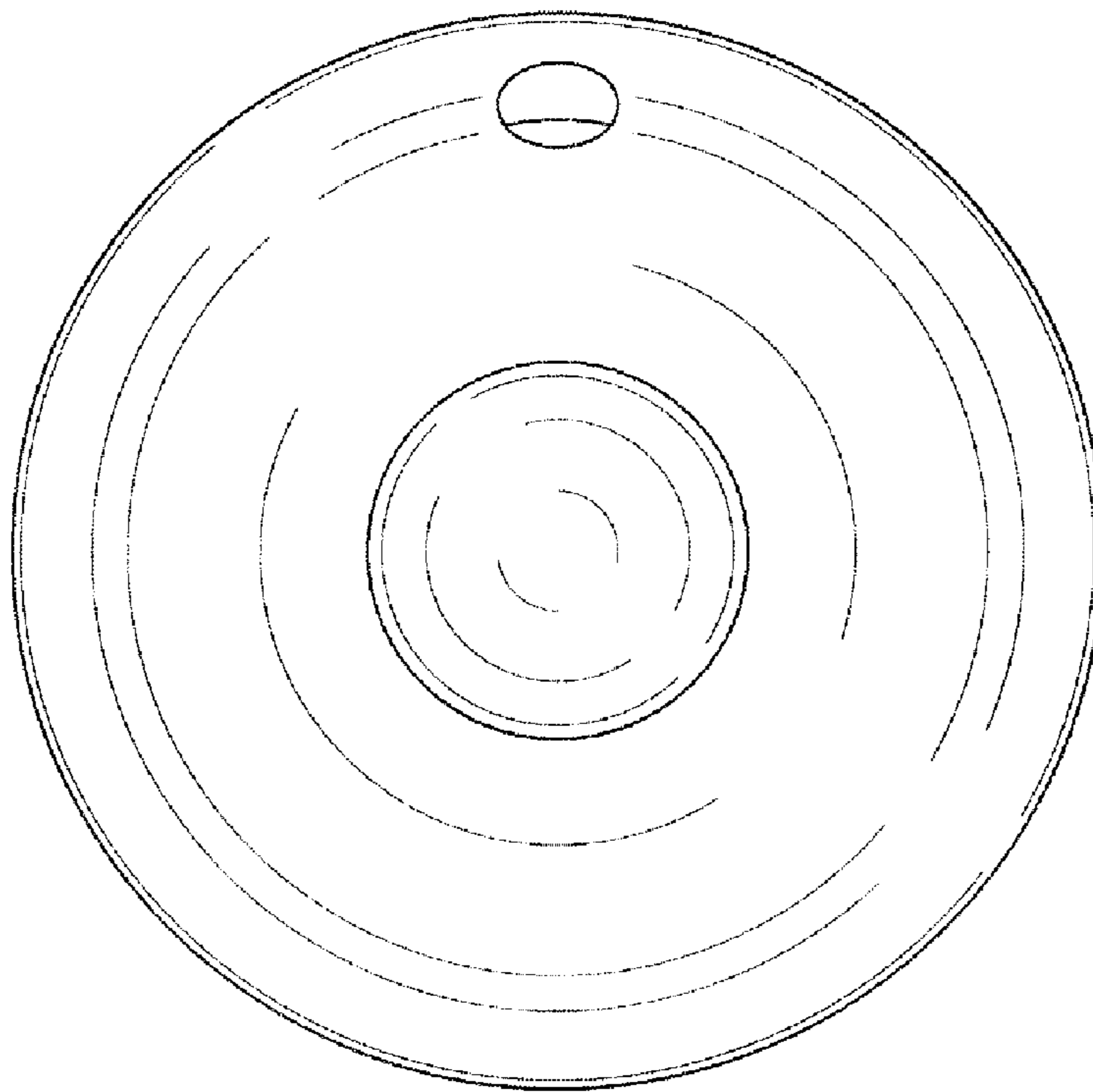
**FIG. 2**



**FIG. 3**



**FIG. 4**



**FIG. 5**

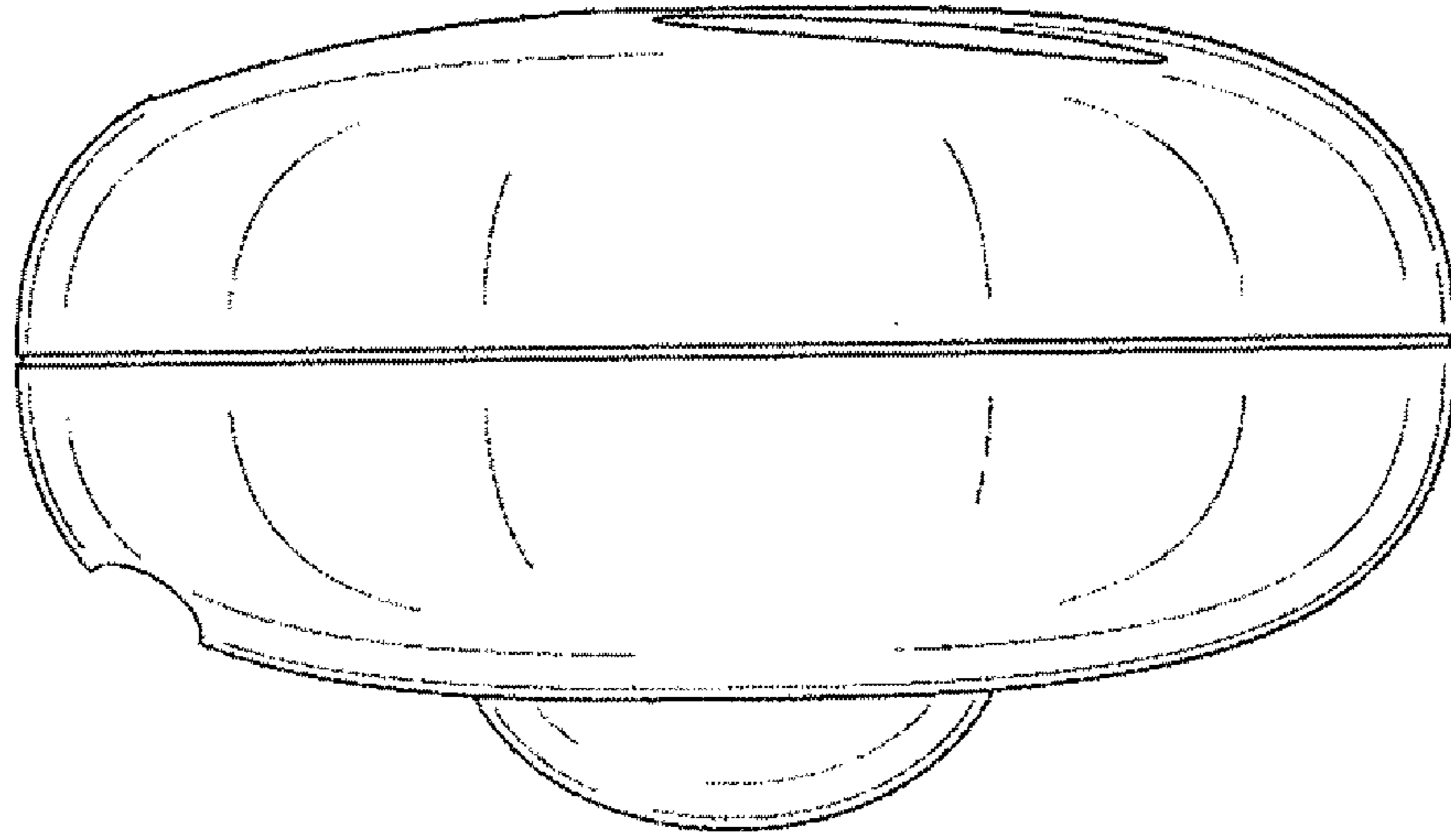


FIG. 6

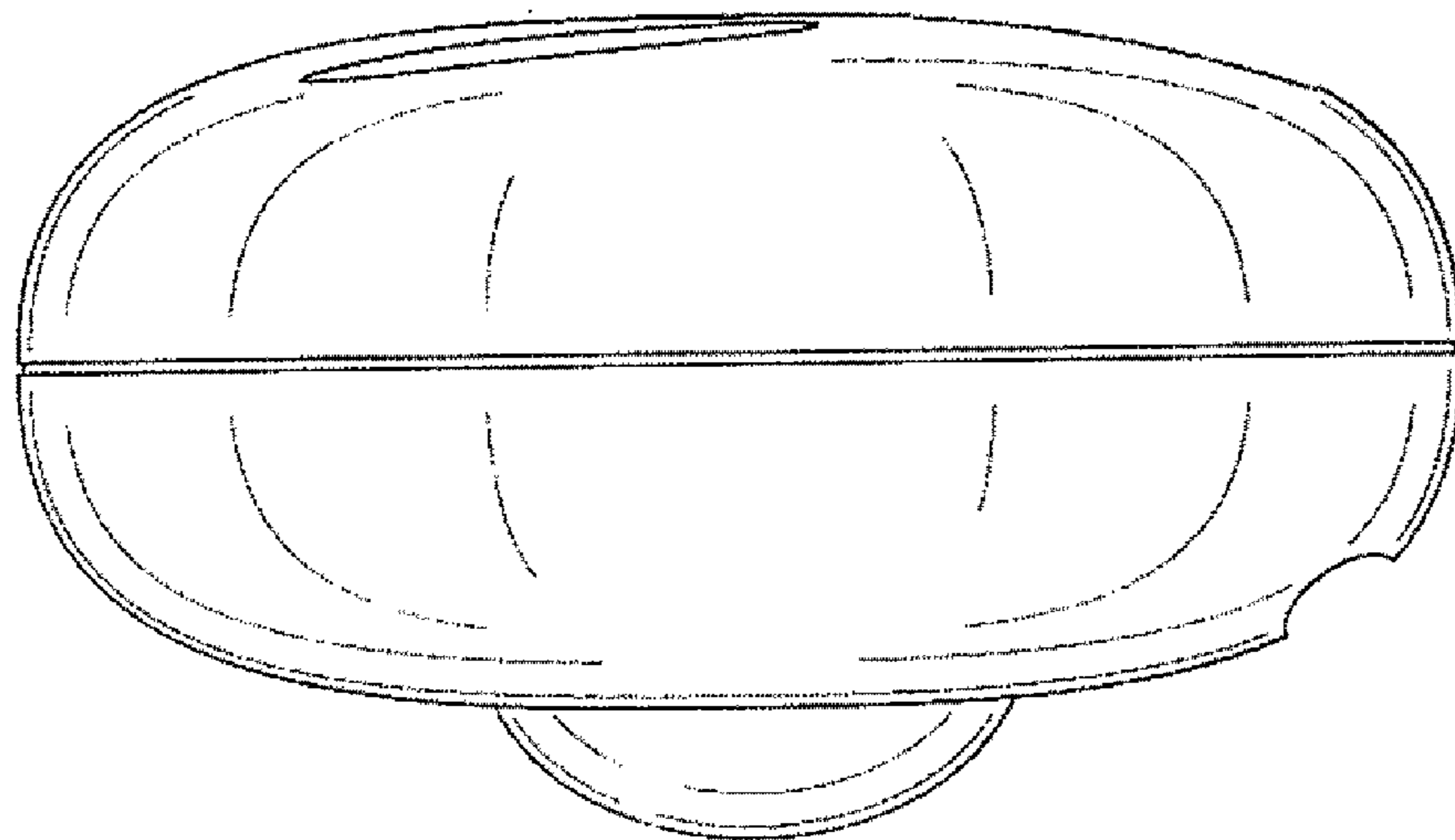


FIG. 7